

AUTHENTIC LIFE SAFETY PRODUCTS SINCE 1940



We've Taken
EXIT Signs to the
EDGE



LE/LES Series

Edge-Lit LED Exit Signs
Now with Emergency Models



Current 

LE Series

STYLE AND SUBSTANCE IN AN EDGE-LIT EXIT SIGN

Only one edge-lit exit sign combines elegant styling with the brightest, most uniform illumination possible to provide maximum visibility in every application. That's the Liteforms® Collection LE Series... available only from Dual-Lite

Enhancing the LE Series' Style is the substance of an LED edge-lit exit sign that offers:

- High-performance LED lamps with 20-year life cycles
- Ceiling, wall and end mount models
- Truly universal rough-in kit for fast, trouble-free installation
- 120/277VAC input
- The industry's broadest range of options
- The only edge-lit exit sign with Spectron® self-diagnostics

All this in an exit sign that takes aesthetics to the edge

A Clearly Visible Difference

The LE series begins with a clear, molded acrylic exit plaque assembly highlighted by graceful contours and soft edges.

Each Letter plaque is clasped in a smart, compact aluminum housing and finished with a sleek trim that creates an aesthetically pleasing statement.

Accent the housing and trim in one of six available finishes and the LE series complements any decor or theme.



Wall Mount



Installer Friendly Design

Forward thinking also simplifies installation. Our two-part design includes a universal rough-in kit that meets all ceiling, wall or end mounting requirements. Attaching the rough-in kit to either wood framing or suspended ceiling grids is simplified by multipurpose mounting bars that fasten to the sides or ends of the kit. Plug-in wiring connectors and captured mounting hardware complete the installation of the LE exit fixture/trim assembly into the rough-in kit.



Typical installation time? Less than 10 trouble-free minutes.



Wall Mount

ELECTRONICS

Available with AC, emergency and Spectron® self-test/self-diagnostic electronics option. Emergency and self-diagnostic models equipped with isolation transformer and fully automatic constant current solid state charger with sealed maintenance-free nickel-cadmium battery. All emergency models with 90-minute run-time. All components mounted inside housing. Includes test switch and AC-on indicator. Transient/surge protection, low voltage disconnect and AC lock-out features included. Battery re-charge within UL time standards. Includes pre-stripped AC input pigtail leads.
Power Factor, Average: .8 (lagging)
Battery Type: Maintenance-free sealed nickel cadmium battery
AC Input: 120/277VAC, 60 Hz. (all models)
Operating Temperature Range: 20°C to 30°C (68°F to 86°F)

POWER CONSUMPTION (120/277VAC)

Model	Single Face	Double Face
Red AC Only	2.2 watts	3.4 watts
Green AC Only	2.5 watts	4.0 watts
Red Emergency	3.3 watts	4.5 watts
Green Emergency	3.6 watts	5.0 watts

FINISH COLORS



Aluminum

Brass

White

Chrome

Black

Bronze

LES Series

SURFACE MOUNT AC OR EMERGENCY EDGE-LIT EXIT SIGN

In addition to the LE Series, Dual-Lite also offers a surface mount edge-lit exit sign. This sign comes with the same variety of finishes and options but also includes an emergency option.



Ceiling Mount



Wall Mount Emergency



End Mount Emergency



End Mount



Wall Mount

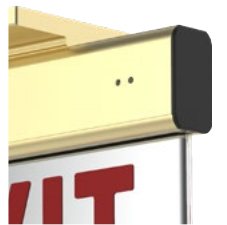


Ceiling Mount Emergency

FINISH COLORS



Aluminum



Brass



White



Chrome



Black



Bronze

ELECTRONICS

Available with AC, emergency and Spectron® self-test/self-diagnostic electronics option. Emergency and self-diagnostic models equipped with isolation transformer and fully automatic constant current solid state charger with sealed maintenance-free nickel-cadmium battery. All emergency models with 90-minute run-time. All components mounted inside housing. Includes test switch and AC-on indicator. Transient/surge protection, low voltage disconnect and AC lock-out features included. Battery recharge within UL time standards. Includes pre-stripped AC input pigtail leads.

Power Factor, Average: .8 (lagging)

Battery Type: Maintenance-free sealed nickel cadmium battery

AC Input: 120/277VAC, 60 Hz.

Operating Temperature Range: 20°C to 30°C (68°F to 86°F)

POWER CONSUMPTION (120/277VAC)

Model	Single Face	Double Face
Red AC Only	2.2 watts	3.4 watts
Green AC Only	2.5 watts	4.0 watts
Red Emergency	3.3 watts	4.5 watts
Green AC Only	3.6 watts	5.0 watts

* Wattage figures include LED lamps, transformer and electronics power requirements.



Features

- Classic, elegant styling
- Six Decorator finishes
- Bright, even illumination
- Universal Rough In Kit
- Multipurpose Mounting bars
- Dual plaque design
- Wall, Ceiling, and End mount models
- Broad range of options
- Spectron® self-diagnostic models
- Long-life LEDs (20 years)
- Low energy consumption
- Exceeds UL standards for brightness and uniformity, and directional indicator specifications

Benefits

- Complements refined interior designs
- Integrates easily into any building decor
- Easier-to-read letters; improved safety
- Allows rough-in kit pre-installation at any time
- One kit accommodates all models; eliminates ordering confusion
- Gives uniform appearance to single and double face models
- Models for all application requirements
- Increased versatility
- Allows self-testing, self-diagnostic operation
- Eliminates lamp replacement; lowers maintenance costs
- More cost effective to operate
- Most advanced life safety products available

Compliance Covered

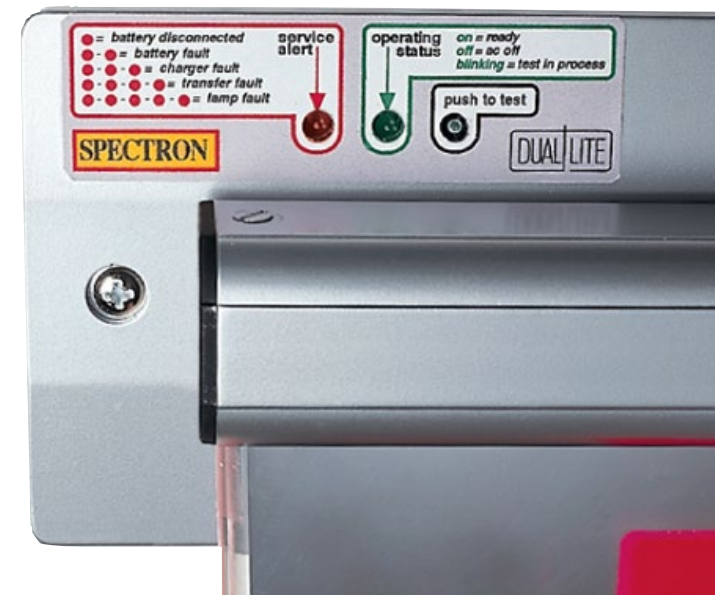
The LE and LES Series both meet a variety of Compliances and Listings making sure that your life safety requirements are covered for any job.



Truly Enlightened Performance



Our Unique plaque design and high-efficiency illumination source prove less can equal more. Dual-Lite has combined high-output LEDs, advanced optics and frequency-matched letter graphics to create a letter plaque that equals or surpasses any other in true-color, brightness and light uniformity. The result is a clear difference, not only in performance and safety, but energy-savings as well.



Spectron®

SELF-DIAGNOSTICS MADE EASY

Our LE and LES Series are the only edge-lit exit sign that offers a Spectron self-diagnostic option.

- Meets UL standards for self-testing/self-diagnostic models
- Automatically monitors battery, charger, transfer circuit and LED lamps
- Automatically performs routine maintenance and assures operational readiness at all times
- Routine discharge cycles ensure optimum battery performance and maximum useful life
- Flashing LED indicates unit malfunction or test cycle.
- Test switch allows a programmable 1, 5, 30, or 60-minute system check at any time



LE ORDERING INFORMATION

Example: LEWDRRNE

CATALOG #

LE									
Model	Mounting	Faces	Letter Color	Directional Arrows	Finish	Operation	Self-Diagnostic	Options	
LE	Edge-lit Exit	C Ceiling Mount W Wall Mount E End Mount	S Single D Double* * Not for use with wall mounted models	R Red G Green	X No Arrows EXIT R Right Arrow* EXIT L Left Arrow* <EXIT> D Double Arrows <EXIT> C L/R Arrows** <Exit/Exit> * Not for use with double face models. Use "C" L/R arrow designator ** Double face models only. Provides reversible right or left arrow indicator	N Satin Aluminum W White C Chrome B Black S Satin Brass Z Dark Bronze	A AC Only E Emergency	Blank None Spectron® self-testing/self-diagnostic electronics ¹	SW See available special wording choices on page 3 ^{10,11} 2C 2 Circuit Operation ^{2,5} DC Remote DC operation ^{2,4,5} 24K 220-240VAC, 60Hz. operation ⁹ XK Recessed mount exit sign less rough-in-kit ^{7,9} W White plaque background M Mirror-plaque background ⁸

Accessories (Order Separately)

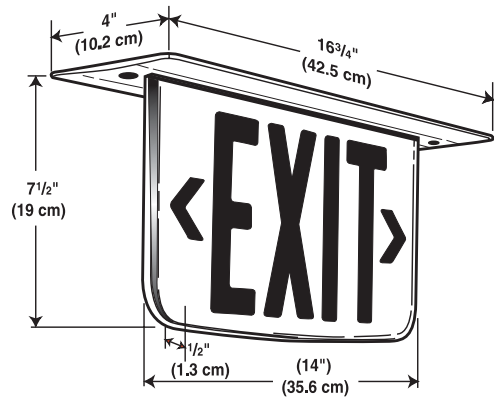
- URK Universal Rough-in Kit
- URK2C Universal 2-circuit rough-in kit^{12,3}

- 1 For use with AC models only.
- 2 Rough-in kit may not be ordered separately on models specified with -24K option
- 3 Must be ordered in conjunction with -2C option on exit sign

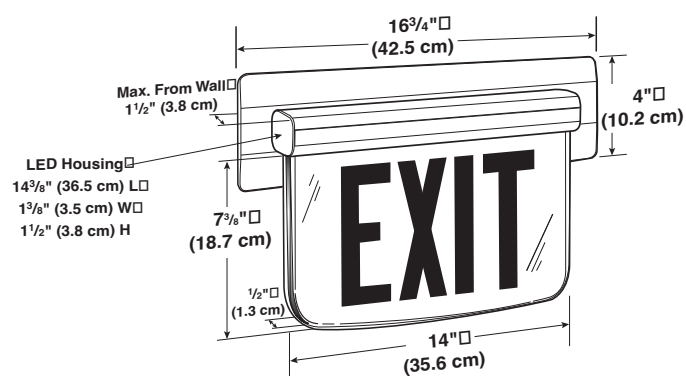
To order Rough-in kit only for field installation, add "XK" option suffix to exit model number and order "URK" or "URK2C" kit separately.

Notes:

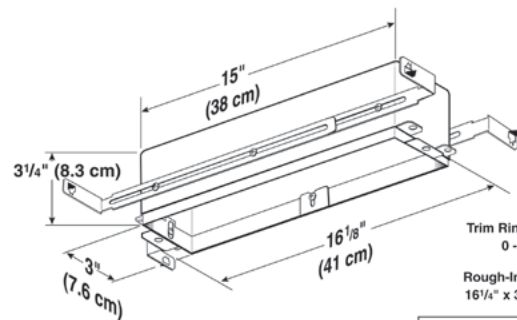
- 1 For use with emergency models only
- 2 For use with AC models only
- 4 For emergency illumination of sign from remote 6-24VDC power sources.
- 5 -DC option may not be specified with -2C
- 7 Allows ordering of rough-in kit separately for recessed mount (LE) models. See "Accessories"
- 8 For use with single face models only. Standard on double face models.
- 9 Rough-in kit may not be ordered separately on models specified with -24K option
- 10 Specify special wording code from page 3 when ordering. Example: SW41
- 11 Some special wording signs not available with directional arrows



Ceiling Mount



Wall Mount

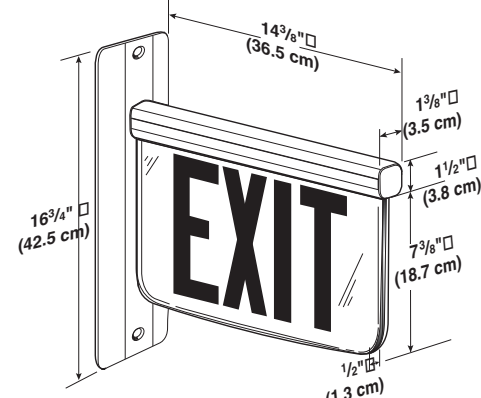


Universal Rough In Kit

Trim Ring Adjustment Range
0 - 3/4" (0 - 1.9 cm)

Rough-In Opening Dimensions
16 1/4" x 3 3/8" (41 cm x 8.6 cm)

Mounting Bar Adjustment Range	
Side Mounted	End Mounted
Min: 16 1/4" (41 cm)	Min: 13" (33 cm)
Max: 25 1/4" (64 cm)	Max: 22 3/4" (57.8 cm)



End Mount

LES ORDERING INFORMATION

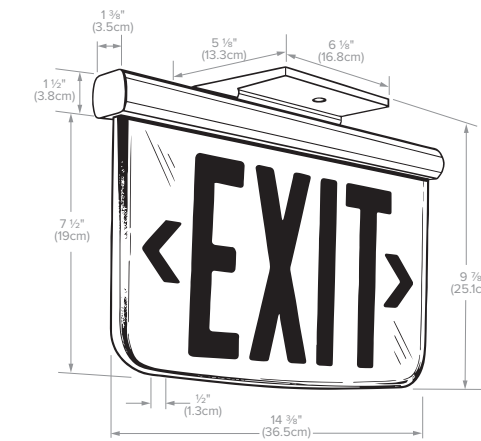
Example: LESWDRDNA-W

CATALOG #

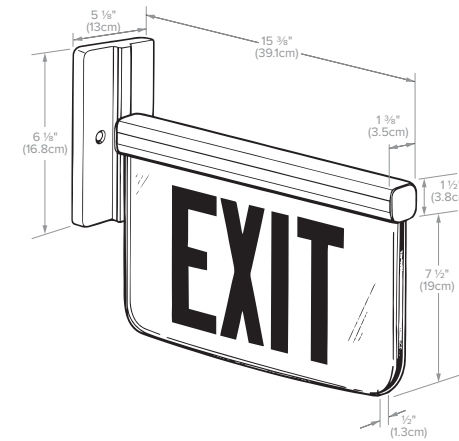
LES									
Model	Mounting	Faces	Letter Color	Directional Arrows	Finish	Operation	Self-Diagnostic	Options	
LES	Edge-lit AC Exit	C Ceiling Mount W Wall Mount E End Mount	S Single D Double* *Not for use with wall mounted models	R Red G Green	X No Arrows EXIT R Right Arrow* EXIT L Left Arrow* <EXIT> D Double Arrows <EXIT> C L/R Arrows** <Exit/Exit> * Not for use with double face models. Use "C" L/R arrow designator ** Double face models only. Provides reversible right or left arrow indicator	N Satin Aluminum W White C Chrome B Black S Satin Brass Z Dark Bronze	A AC Only E Emergency	Blank None Spectron® self-testing/self-diagnostic electronics ¹	SW See available special wording choices on page 4 ^{3,4} W White plaque background M Mirror-plaque background ²

Notes:

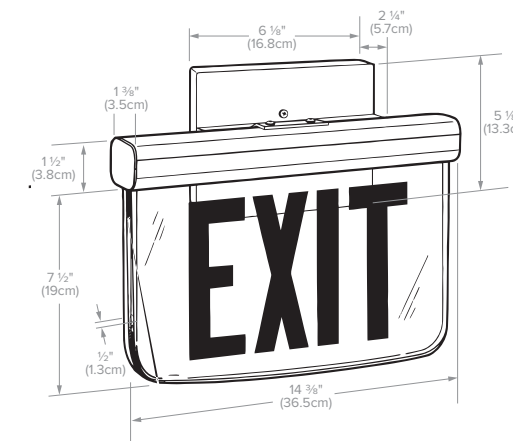
- 1 For use with emergency models only
- 2 For use with single face models only. Standard on double face models.
- 3 Specify special wording code from page 3 when ordering. Example: SW41
- 4 Some special wording signs not available with directional arrows



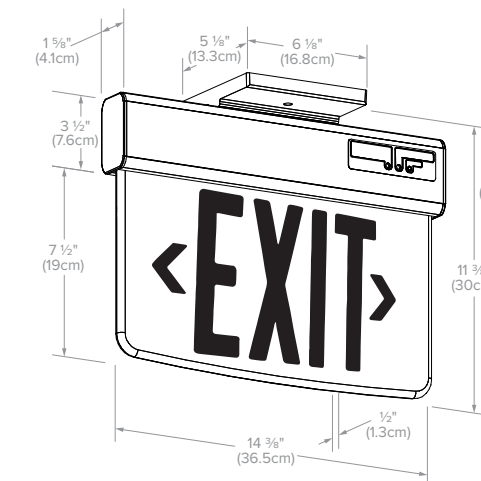
Ceiling Mount



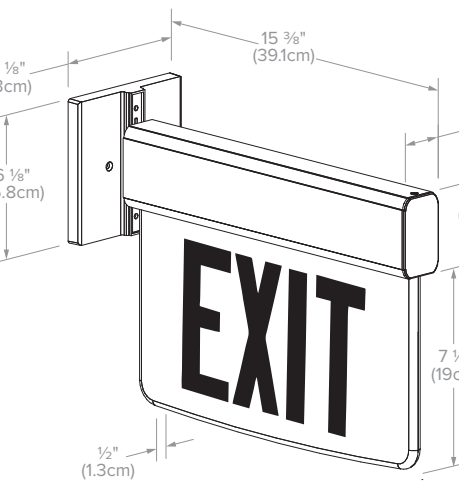
End Mount



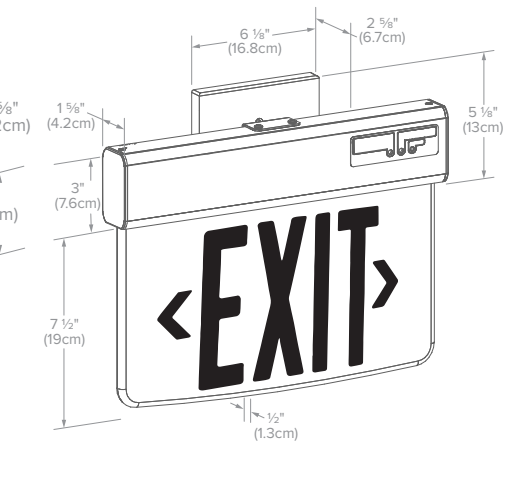
Wall Mount



Emergency Ceiling Mount



Emergency End Mount



Emergency Wall Mount



Current 

Current Lighting Solutions, LLC

701 Millennium Blvd.
Greenville, SC 29607

currentlighting.com/dual-lite

© 2022 HLI Solutions, Inc. All rights reserved. Information and specifications subject to change without notice. All values are design or typical values when measured under laboratory conditions.

Rev 05/24/22

0601632e_LES_brochure_R01
