



**URBAN**  
MICRO STRIKE

**Current** @

**Current - HLI Brands**

701 Millennium Blvd.  
Greenville, SC 29607

[currentlighting.com/Beacon](http://currentlighting.com/Beacon)

© 2022 HLI Solutions, Inc. All rights reserved. Information and specifications subject to change without notice.  
All values are design or typical values when measured under laboratory conditions.

(Rev 02/24/23)

BEA\_Urban\_MicroStrike\_brochure\_R01

**Current** @



# URBAN

MICRO STRIKE

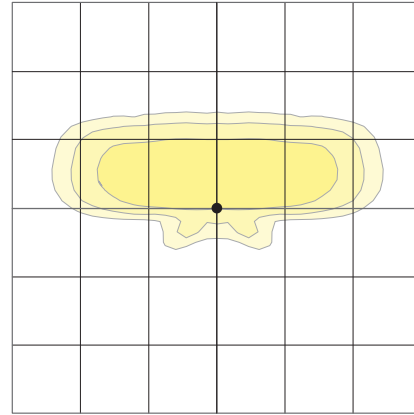
The Beacon Urban is a bell style traditional luminaire that is equally at home in contemporary architectural environments. The Urban can be utilized for pedestrian lighting as well as parking and roadway applications. Luminaires are available in multiple styles and mounting options for site flexibility.

# MICRO STRIKE

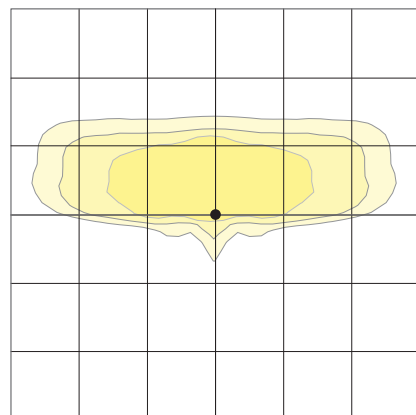
The Micro Strike optics provide the most utilized distributions in area lighting applications. Urban luminaires features distributions of a Type 3 for the entrances, and Type 4 wide distribution around the building perimeter and a Type 5 square to provide sufficient coverage across the parking areas. Micro Strike optics also provide minimal backlight to enhance street side efficiency and meet target light levels while using less energy.

- Key distributions for every day applications
- High efficacy and lumens per watt
- Single piece optic provides more visual comfort
- Field rotatable for flexibility in mounting orientations

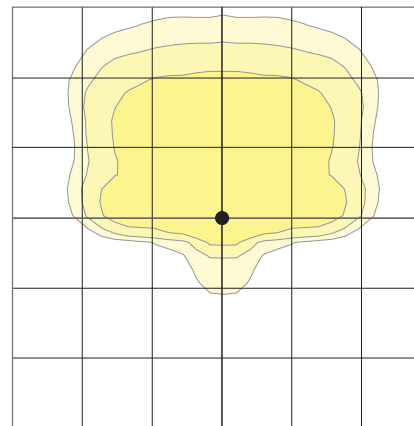
TYPE II



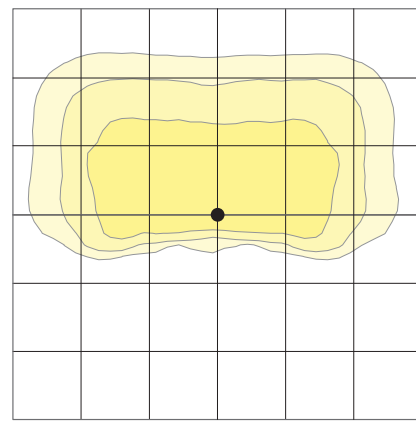
TYPE III



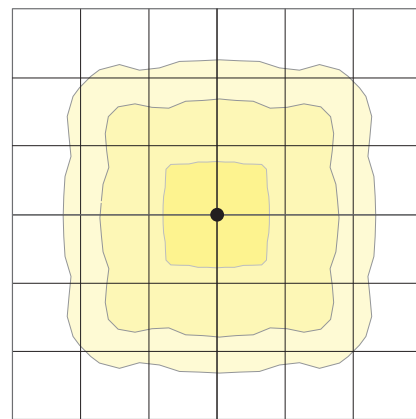
TYPE IV FORWARD



TYPE IV WIDE



TYPE V SQUARE WIDE





**Yoke Mount**  
two-strut



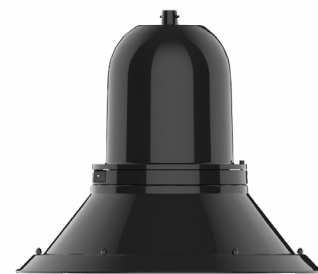
**Yoke Mount**  
three-strut



## Application Flexibility

The Urban is available in multiple shade styles to compliment a wide variety of architectural environments. Urban now has additional mount types as “Standard” options. Joining the previously offered Pendant mount is the Side mount and the Yoke mount.

(See pages 6-7 for configurations and dimensions)



**Pendant Mount**



**Side Mount**

The 21” Urban “Yoke” mount has a two strut configuration and the 26” Urban has the three strut configuration.

(See pages 8-9 for configurations and dimensions)

Decorative architectural rings are available on multiple configurations in both 21” and 26” Urban luminaires.

(See pages 8, 10 and 11)



## Mounting Options

There are many Beacon decorative arm styles that can be combined with the Urban to offer a variety of fixture positioning as well as visual appeal.

(See pages 12-13 for configurations and dimensions)



## Finish Options

The Urban luminaire is available in 11 finish options (six most popular shown below) for integration with application for the most appealing fit.



**DBT** Dark Bronze Textured



**BLT** Black Matte Textured



**PSS** Platinum Silver Smooth



**LGS** Lt Grey Gloss Smooth

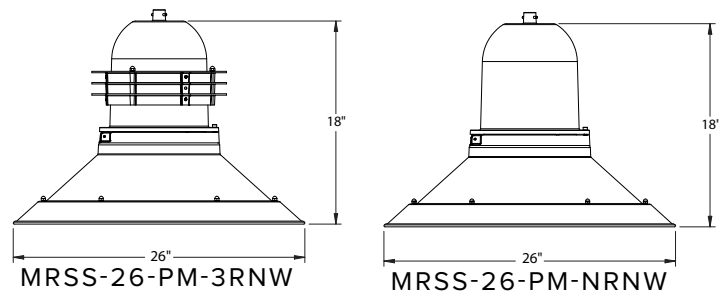
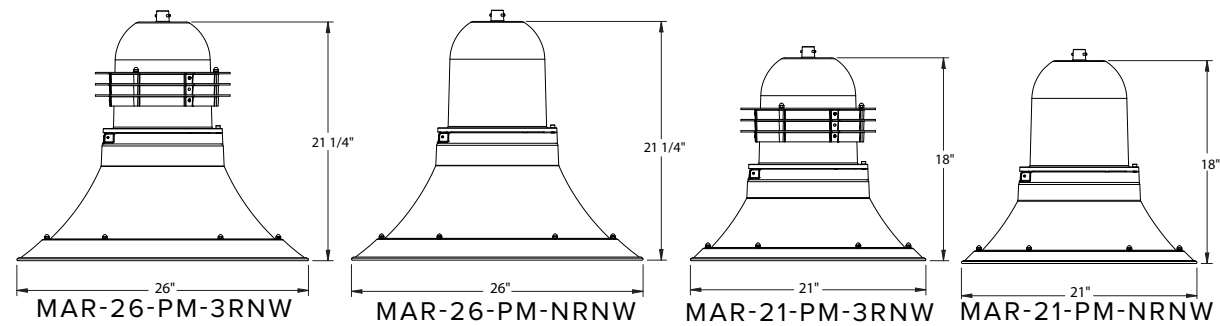
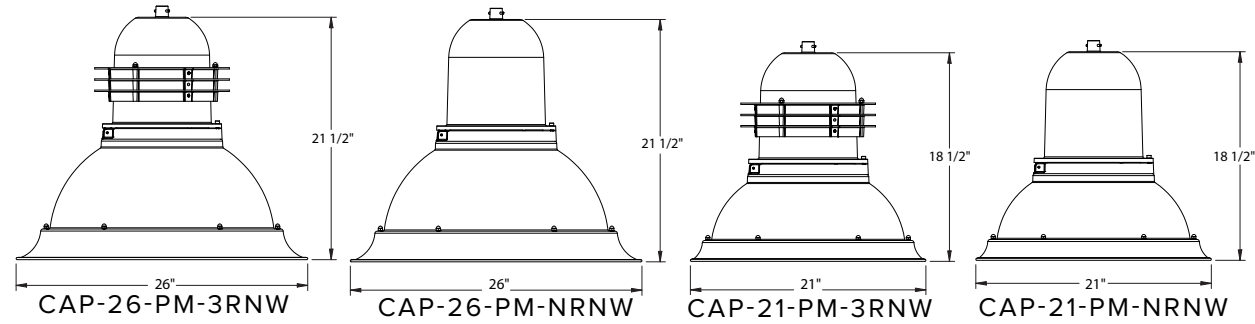
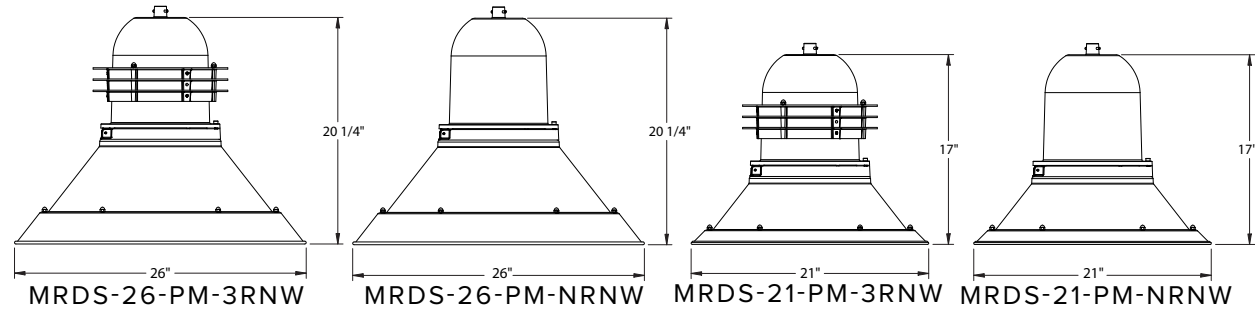


**WHT** White Matte Textured

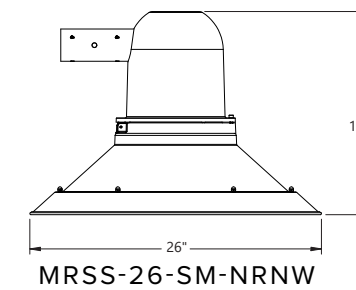
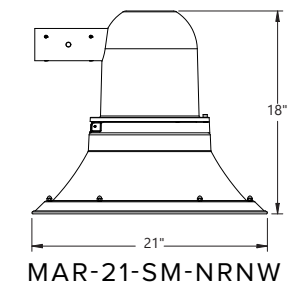
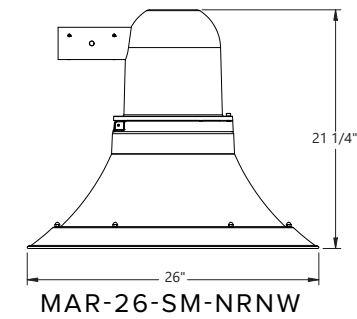
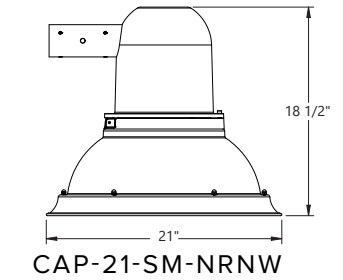
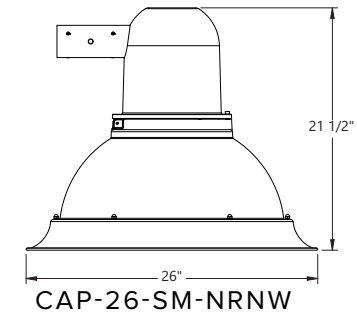
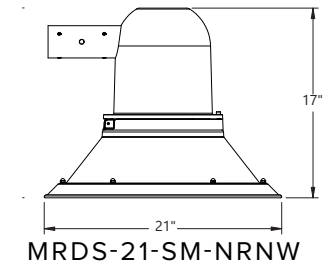
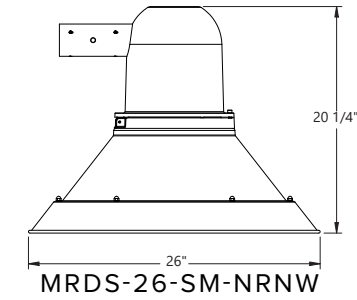


**GTT** Graphite Matte Textured

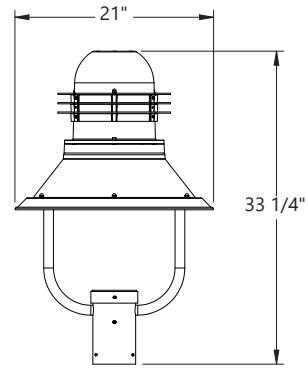
**PENDANT MOUNT**



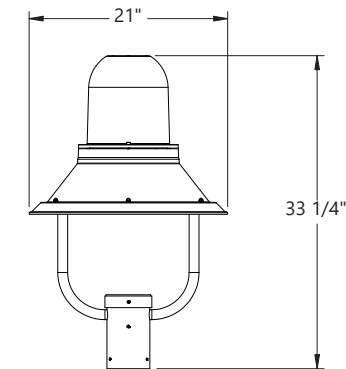
**SIDE MOUNT**



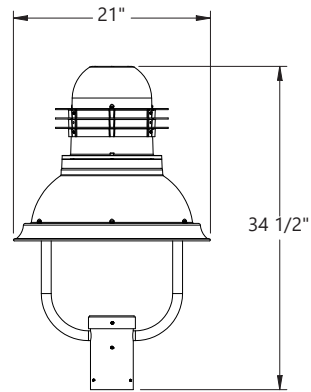
**YOKE MOUNT - 2 STRUTS FOR 21"**



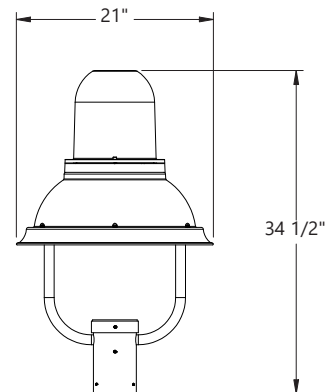
MRDS-21-YM-3RNW



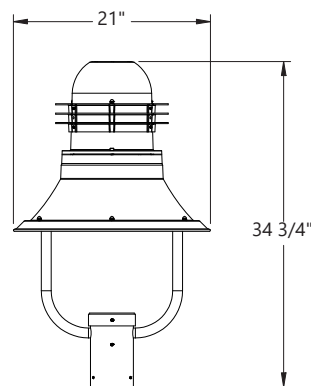
MRDS-21-YM-NRNW



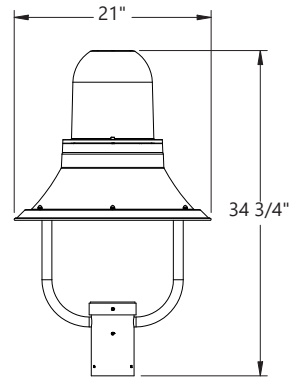
CAP-21-YM-3RNW



CAP-21-YM-NRNW

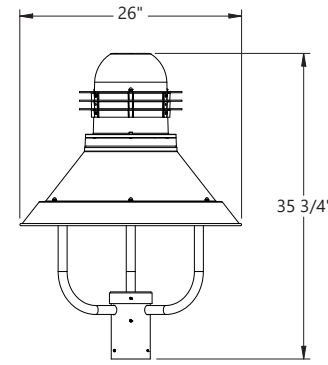


MAR-21-YM-3RNW

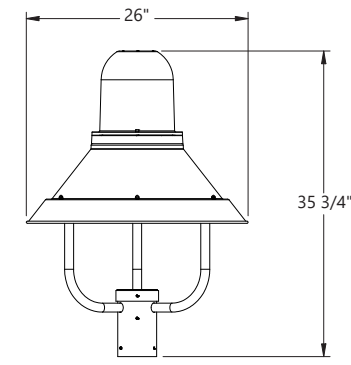


MAR-21-YM-NRNW

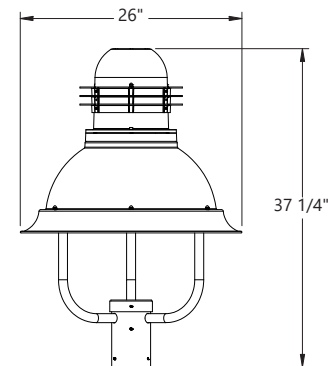
**YOKE MOUNT - 3 STRUTS FOR 26" VERSION**



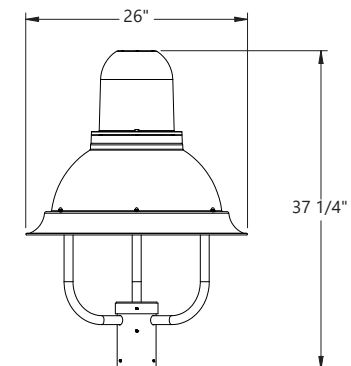
MRDS-26-YM-3R



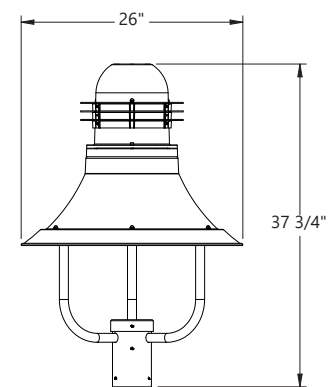
MRDS-26-YM-NRNW



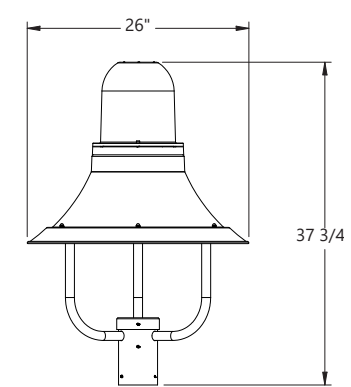
CAP-26-YM-3RNW



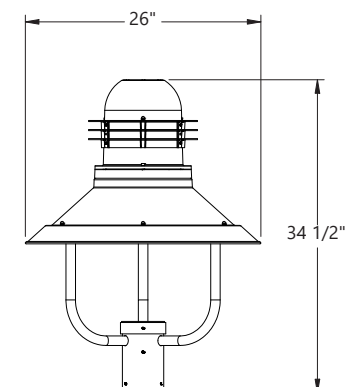
MRDS-26-YM-NRNW



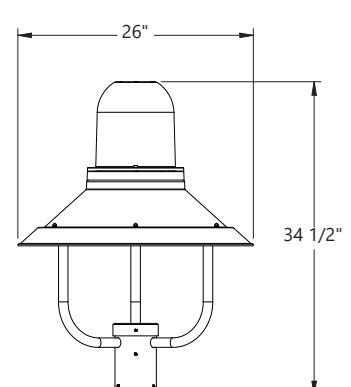
MAR-26-YM-3R



MAR-26-YM-NRNW

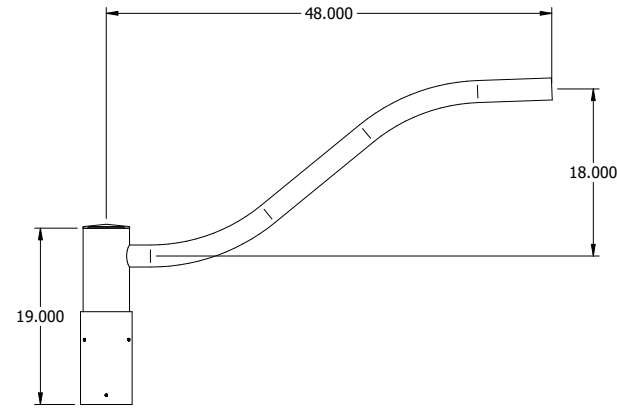


MRSS-26-YM-3R

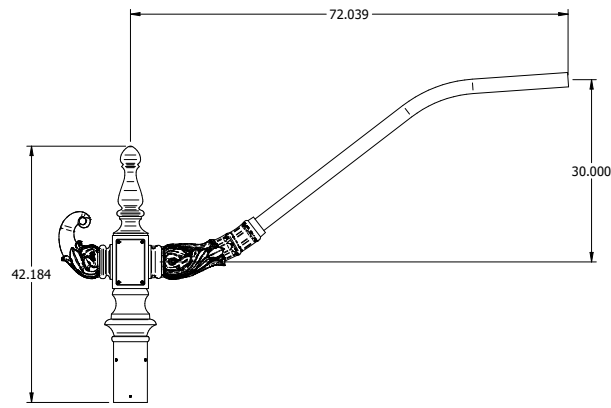


MRSS-26-YM-NRNW

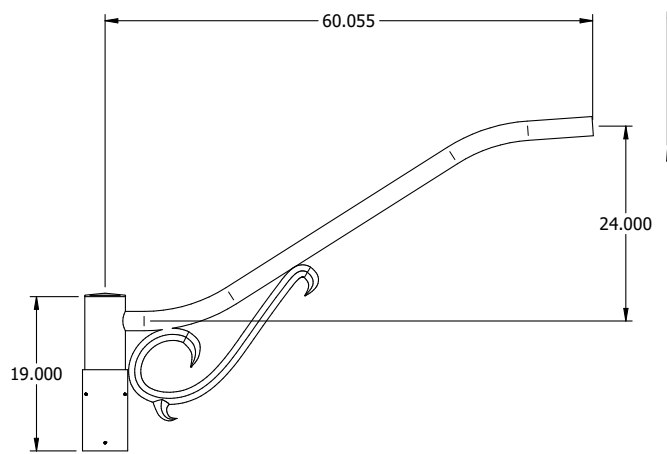
**SIDE MOUNT**



AA-10 COBRA

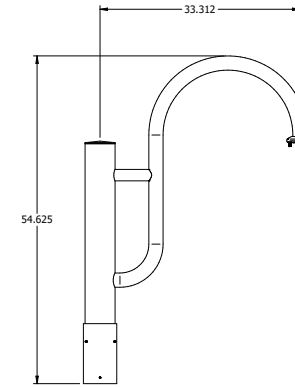


AA-10B COBRA BALBOA

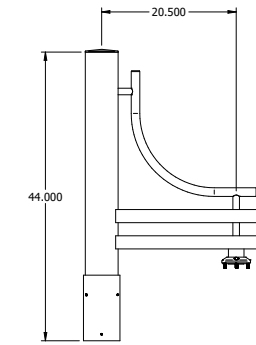


AA-10S COBRA SCROLL

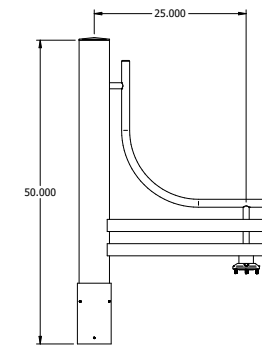
**PENDANT MOUNT**



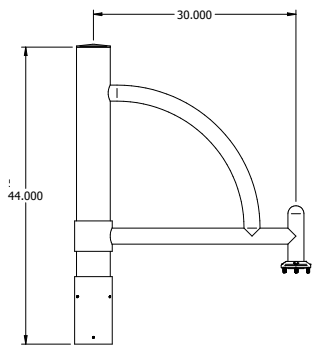
AA-41 RAILROAD STRAP



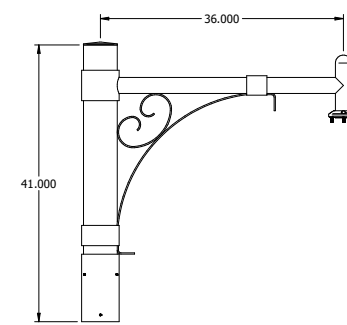
AA-10 SMALL PIERWALK



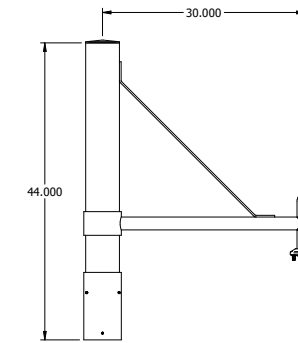
AA-38 LARGE PIERWALK



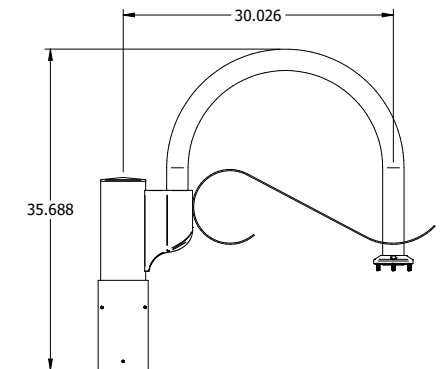
AA-49 RADIUS



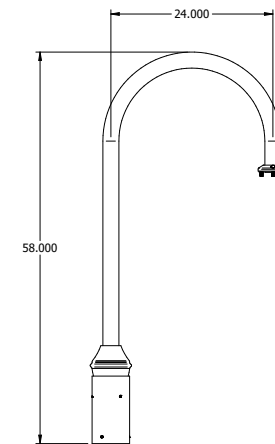
AA-27 STRATFORD



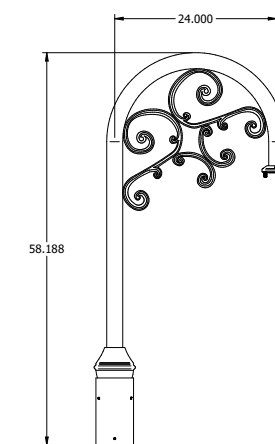
AA-44 STRUT



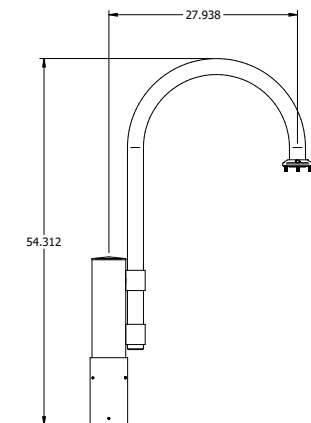
AA-45 TWIN EAGLES



AA-39 RAILROAD



AA-39S RAILROAD SCROLL



AA-42 RAILROAD SCS

\* Arms ordered separately, arms mount over an open top pole, they do not mount to a tenon.

## ORDERING GUIDE

Example: URB-CAP-21-80L-25-5K7-UNV-4-NRNW-BLT

CATALOG #

Model	Lens Option	Engine-Watts	CCT/CRI <sup>3</sup>	Voltage	Optics	Electrical Options
URB Urban	<b>CAP-21</b> 21" Capitol	<b>80L-25</b> 25W, LED array	<b>3K7</b> 3000K, 70 CRI	<b>UNV</b> 120-277V	<b>2</b> Type II	<b>PCU</b> Button Photocell, Universal (120v-277V)
	<b>MRDS-21</b> 21" Miramar deep shade	<b>80L-39</b> 39W, LED array	<b>4K7</b> 4000K, 70 CRI	<b>347</b> 347V	<b>3</b> Type III	
	<b>MAR-21</b> 21" Maritas	<b>80L-50</b> 50W, LED array	<b>5K7</b> 5000K, 70 CRI	<b>480</b> 480V	<b>4F</b> Type IV forward	
	<b>CAP-26</b> 26" Capitol	<b>80L-70</b> 70W, LED array	<b>27K8</b> 2700K, 80 CRI		<b>4W</b> Type IV wide	
	<b>MRSS-26</b> 26" Miramar shallow shade	<b>80L-90</b> 90W, LED array	<b>3K8</b> 3000K, 80 CRI		<b>5QW</b> Type V sq wide	
	<b>MRDS-26</b> 26" Miramar deep shade	<b>80L-110</b> 110W, LED array	<b>4K8</b> 4000K, 80 CRI			
	<b>MAR-26</b> 26" Maritas	<b>160L-115</b> 115W, LED array	<b>5K8</b> 5000K, 80 CRI			
		<b>160L-135</b> 135W, LED array				
		<b>160L-155</b> 155W, LED array				
		<b>160L-175</b> 175W, LED array				

Control Options	Mounting Style	Mounting Size	Style	Finish
<b>GENI-XX</b> Energeni <sup>2</sup>	<b>PM</b> Pendant mount	<b>3</b> 3" OD Pole <sup>4</sup>	<b>NRNW</b> No rings	<b>BLT</b> Black Matte Textured
	<b>SM</b> Side mount <sup>1</sup>	<b>4</b> 4" OD Pole <sup>4</sup>	<b>3RNW</b> Three rings	<b>BLS</b> Black Gloss Smooth
	<b>YM</b> Yoke mount <sup>4</sup>	<b>5</b> 5" OD Pole <sup>4</sup>		<b>DBT</b> Dark Bronze Matte Textured
				<b>DBS</b> Dark Bronze Gloss Smooth
				<b>GTT</b> Graphite Matte Textured
				<b>LGS</b> Light Grey Gloss Smooth
				<b>PSS</b> Platinum Silver Smooth
				<b>WHT</b> White Matte Textured
				<b>WHS</b> White Gloss Smooth
				<b>VGT</b> Verde Green Textured
				<b>Color Option</b>
				<b>CC</b> Custom Color

Notes:

- Side mount is designed to mount over 2" Schedule 40, (2.38 arm)
- When ordering Energeni, specify the routine setting code (Example GENI-04). See Energeni brochure and Energeni instructions for setting table and options. Not available with sensor options
- This product is approved by the Florida Fish and Wildlife Conservation Commission. Separate spec available on our website. Turtle Friendly. [https://cdn.currentlighting.com/site/specsheet/Urban\\_LED\\_spec\\_sheet\\_turtle-friendly.pdf](https://cdn.currentlighting.com/site/specsheet/Urban_LED_spec_sheet_turtle-friendly.pdf)
- Yoke mount mounting Style only

