



MultiPurpose

LINEAR

Features and Benefits

MultiPurpose Linear is a versatile linear solution that will fit seamlessly into countless applications. With continuous illumination, integrated controls, multiple lens options and single or row mounting, MultiPurpose Linear is adaptable to your environment. See below for your variety of options.

Optical Performance

Wide and Narrow distribution options for open area and aisle applications



Best in Class Emergency Solutions

Emergency equipped fixtures are labeled and CSA certified to UL 924 for emergency situations

We Comply

CSA certified to UL 924 standards with battery pack or DTS (Dimming Bypass Module) options



Lens Configurations

Curve, flat or no lens for aesthetic appeal

Customize Your Luminaire

MultiPurpose Linear comes standard with a white housing; Matte Black and ZET Metallic Silver available to meet your application needs



Illumination

Uninterrupted ribbon of light for single or row mount applications

Versatility

Available in 2', 4' or 8' lengths; row mounting available. MultiPurpose linear offers a unified look across different dimensional needs



Optional SpectraSync™ offers two modes of tunable white solutions and integrates seamlessly into a variety of control systems



NX Lighting Controls

PIR occupancy sensor, dimming daylight harvesting, wired and wireless enabled for ease of programming. See page 6 for more info.



MultiPurpose Linear with the Curve Narrow (CN) lens is ideal for office corridors, placing light perfectly onto your path.



With NX Lighting Controls, the MultiPurpose Linear is perfect for lightly used spaces. NX Lighting Controls will automatically shut the fixture off when the space is unoccupied.



MultiPurpose Linear's uninterrupted ribbon of light coupled with the seamless continuous row option is ideal for retail applications where aesthetics are at a premium.



MultiPurpose Linear is DLC® (DesignLights Consortium) Qualified, with Premium Qualified configurations - see www.designlights.org for specific SKU's on QPL

Control Your Space

The MultiPurpose Linear luminaires are available with integrated NX Lighting Controls sensors and modules from Current Controls. NX offers complete, code-compliant lighting controls with occupancy/vacancy detection, individual or multi-zone daylight level (harvesting) dimming, time schedules and native BACnet® building networking built in.



Truly Intelligent

NX integrated MultiPurpose Linear uses the Device Setup App for wireless programming and scheduling, dramatically reducing the time it takes to configure or modify crucial settings. MultiPurpose Linear with NX sensors are seamlessly integrated into a decorative end cap for multiple applications such as retail, office, corridor and more.



Scalable

Using wired, wireless and hybrid networks, the NX enabled MultiPurpose Linear luminaires operate in multi-tiered control strategies.



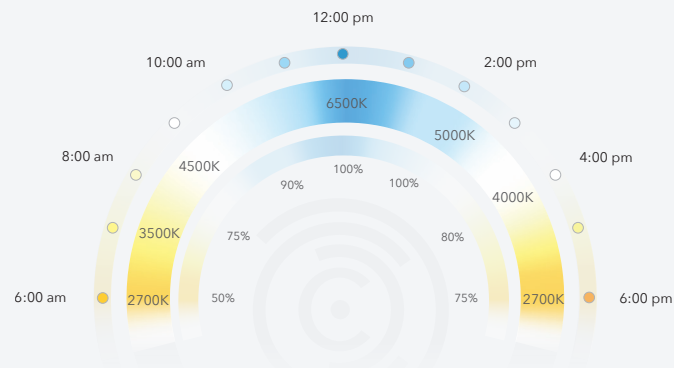
Simple

NX Integrated linear luminaires simplify planning and reduce installation costs and complexity – no additional control wiring.



SpectraSync™

Control your space based on the needs of the application, specific activities throughout the day and preferences of the occupants with three distinct SpectraSync™ Color Tuning Technologies.



Tunable White

Tunable White offers you the ability to tailor correlated color temperature (CCT) to your personal preference, enhancing task visibility, material and colors and the aesthetics of the space. (Available with 2700K-5000K or 2700K-6500K)

Code Compliant Emergency Control Override



Best in Class Emergency Solutions

UL 924 is now required.

Emergency equipped fixtures are labeled and CSA certified to UL 924 Emergency Lighting standards, including controls override features. During emergency operation—when the power goes off—MultiPurpose Linear immediately bypasses controls. MultiPurpose Linear returns to 100% emergency illumination for safe egress for occupants.

Versatility

Finishes That Work

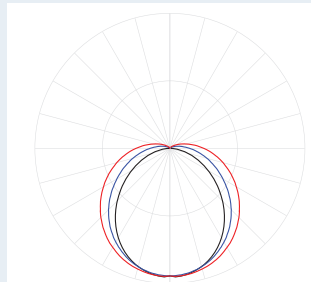
MultiPurpose Linear is a chameleon when it comes to lighting design. If you have an architectural space where white just doesn't fit, we've got options for you. MultiPurpose Linear can be ordered in White, Matte Black or ZET Metallic Silver to adapt to your application requirements.



Optical Performance

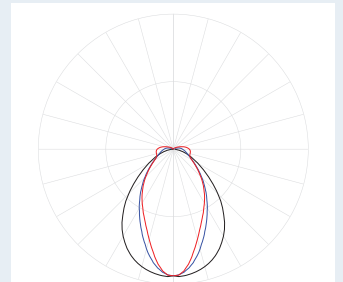
Wide and Narrow distribution options for open area or aisle applications.

Wide Distribution



Spacing Criteria: 0° = 1.20 90° = 1.33

Narrow Distribution



Spacing Criteria: 0° = 1.18 90° = 0.77

Lens & End Cap Configurations

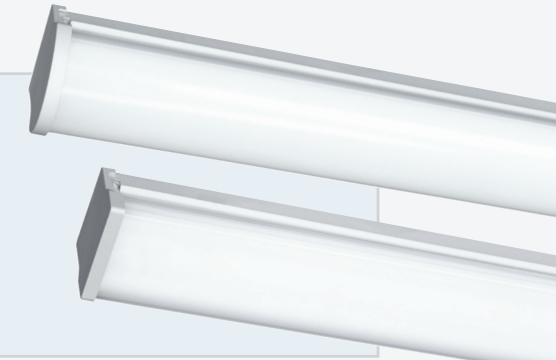
Available with three lens & two end cap options:

Lenses

- Curve for aesthetic appeal
- Flat for common areas
- No lens

End Caps

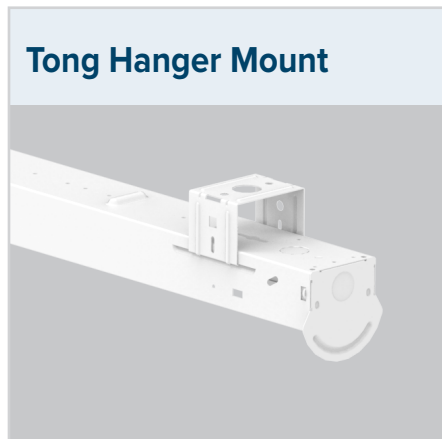
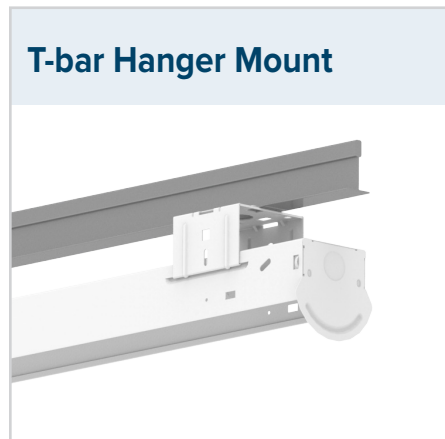
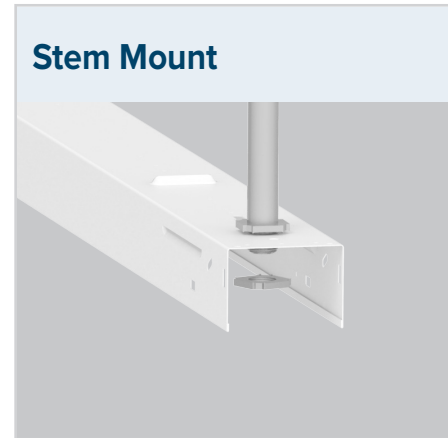
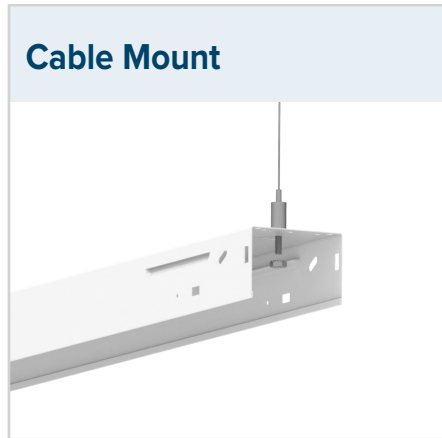
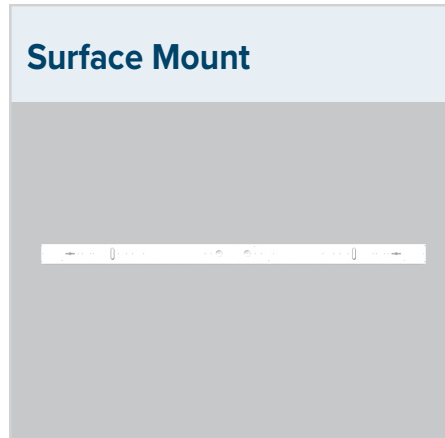
- Decorative Injection Molded ABS material end caps optional; see ordering guide
- Metal end caps standard



Order yours today.

Options and Accessories

Multiple mounting options for every application; surface, pendant, t-bar and continuous row. Wire guards and decorative end caps are also available to meet your application needs. Full mounting instructions available on product page.



MultiPurpose

LINEAR



- Uninterrupted ribbon of light; row mounting optional
- Long life 60,000 hour LEDs at L80 for reduced maintenance
- Superior color consistency within a 3-step MacAdam ellipse and greater than 80 CRI
- Modular replaceable LED boards and driver accessible for future maintenance or upgrades
- Surface mount, wall mount or suspended
- DLC® (DesignLights Consortium) Qualified, with Premium Qualified configurations - see www.designlights.org for specific SKU's on QPL



ORDERING INFORMATION

EXAMPLE MPS4-40ML-CW-EDU

YOUR ORDER **MPS** - - -

MPS									
MODEL	SIZE ¹	CRI	COLOR TEMP	NOMINAL LUMENS ⁴	LENS	DISTRIBUTION ⁵	DRIVER	VOLTAGE	
MPS	2' 2'	Blank	80	30 3000K	XW 4' (2700), 8' (5400)	C Curve, Frosted	N Narrow Distribution ⁶	E Fixed Output	U 120V-277V
MultiPurpose	4' 4'	9	90 ²	35 3500K	XWHE 4' (2500), 8' (5000)	Acrylic	W Wide Distribution	ED 0-10V Dimming	347 347V
Linear	8' 8'			40 4000K	VW 2' (1700), 4' (3400), 8' (6900)	F Flat, Frosted		EDD Dim-to-Dark	(E,ED,ED1 only)
				50 5000K	VWHE 4' (3300), 8' (6600)	Acrylic		ESD Step Dimming	
				2750T 2700K-5000K SpectraSync™ Tunable White ³	MW 2' (2300), 4' (3800), 8' (7700)	NL Less Lens		LUTH Hi-Lume 1% EcoSystem LED driver with Soft-on, Fade-to-Black dimming technology ⁷	
				2765T 2700K-6500K SpectraSync™ Tunable White ³	MWHE 2' (2100), 4' (3700), 8' (7400)	CP Curve, Frosted Polycarbonate		DALIP DALI Power Bus ⁸	
					LW 2' (2500), 4' (4200), 8' (8400)				
					LWHE 2' (2600), 4' (4100), 8' (8200)				
					ML 2' (3600), 4' (4800), 8' (9500)				
					MLHE 4' (4700), 8' (9400)				
					HL 2' (3800), 4' (6000), 8' (12,000)				
					HLHE 4' (5700), 8' (11,500)				
					VL 4' (7100), 8' (14,200)				
					XL 4' (8400), 8' (17,000)				

OPTIONS		CONTROL OPTIONS ^{24,25,26}		ACCESSORIES (ORDER SEPARATELY)	
ELL14	Emergency Battery Pack, 10W ^{7,8,9}	NXE	NX Dual RJ45 SmartPORTs, without Sensor ^{14,26,27,28}	S18	18" Stem, Canopy
ELL14H2	Emergency Battery Pack, 2-HourRun Time ^{7,8,9,10}	NXESM	NX Wired Dual RJ45 SmartPORTs and Integral NXSM2-SMI PIR Occupancy Sensor with Automatic Dimming Photocell and Bluetooth Programming ^{14,26,27,28}	SS18	18" Swivel Stem—45° Swivel
GLR	Fast Blow Fuse	NXERM	NX Wired Dual RJ45 SmartPORTs and Integral NXSM2-LMI PIR Occupancy Sensor with Automatic Dimming Photocell and Bluetooth Programming ^{27,29}	CM24SCF3-KIT	24" Adjustable Cable Mounting Kit, 3 wire feed ³²
GTD	Generator Transfer Device ¹¹	NXWSM	NX Networked Wireless Enabled Integral NXSM2-SMI PIR Occupancy Sensor with Automatic Dimming Photocell and Bluetooth Programming ^{27,29}	CM48SCF3-KIT	48" Adjustable Cable Mounting Kit, 3 wire feed ³²
DTS	Dimming Bypass Module ¹²	NXWRM	NX Networked Wireless Enabled Integral NXSM2-LMI PIR Occupancy Sensor with Automatic Dimming Photocell and Bluetooth Programming ^{14,26,27}	CM24NF-KIT	Single Point Non-Feed Cable Mount with Canopy, Single - 24" ³²
MPSCE	Injection Molded ABS Material Curve Endcap ²³	NXW	NX Networked Wireless Radio Module NXRM2 and Bluetooth Programming, without Sensor ^{14,26,27}	CM48NF-KIT	Single Point Non-Feed Cable Mount with Canopy, Single - 48" ³²
MPSCE-MB	Injection Molded ABS Material Curve Endcap, Matte Black	ODPG	Occupancy and Daylight Sensors w/Grouping, Philips SNS200 ^{29,30}	CSHC	Chain Hanger Assembly
MPSFE	Injection Molded ABS Material Flat Endcap ²³	LVR	Lutron Vive Integral Fixture Control DFCSJ-OEM-RF (RF only) ^{29,30,31}	MPSTZ	Zip Tee Hanger - 1 1/2" Spacer on T-Bar Ceiling
MPSFE-MB	Injection Molded ABS Material Flat Endcap, Matte Black	LVS	Lutron Vive Integral Fixture Control DFCSJ-OEM-OCC (RF with daylight and occupancy sensing) ^{29,30,31}	MPSTH	Slide Tong Hanger
MB	Matte Black			MPSCRK-C	Continuous Row Kit, Curve
ZT	ZET Metallic Silver			MPSCRK-F	Continuous Row Kit, Flat
PAF	Painted After Fabrication			MPSWG2	2" Wire Guard
SAF	SpectraSAFE™ Integrated Surveillance Lighting System ¹³			MPSWG4	4" Wire Guard, 2 Required for 8' Fixture
MST	MASTER fixture that controls one or more SATELLITE fixtures in a continuous row application ^{16,17,18,19,20,21}			MPSCE	Injection Molded ABS Material Curve Endcap, Matte Black
SAT	SATELLITE fixture controlled by MASTER fixture in a continuous row application ^{16,17,18,19,20,21}			MPSFE	Injection Molded ABS Material Flat Endcap, Matte Black
INT	Intermediate (provides ends with wiring access for continuous row mounting) ^{18,20,21,22}			MPSFE-MB	Injection Molded ABS Material Flat Endcap, Matte Black
EOR	End of Row (provides end wiring access for continuous row mounting) ^{18,20,21,22}				

- Notes:**
- For continuous row mounting, see Continuous Row Mount Example Guide on page 3
 - See SpectraSync and NX Availability Table on page 6
 - Applicable to lens only
 - Only available with Curve, Frosted Acrylic lens
 - Not available in VL or XL packages
 - DALIP only available when LVS, LVR or ODPG control options are selected
 - Delivered Emergency Lumens = ELL14 = 1210 lms
 - Not available in 2ft size or with thru wire on XL 4ft and 8ft
 - Emergency battery pack max ambient temperature: 25°C
 - Not available for use in Canada
 - Only available with fixed output driver
 - For emergency circuit control loads including sensors and wireless systems CSA certified to UL 924. Not available with ESD driver option. Universal voltage only. DTS with 2" cannot be combined with Controls or SpectraSync options. See page 10 for wiring diagram
 - SpectraSync+NX+SAF can not be configured. Only available with NXE or NXWE. Not available in 347V
 - For use with suspended mounting options only. Not available on surface mount options

- Continuous-Row Options:**
- MST option not available with INT row position
 - Multiple SAT fixtures can be controlled by one MST fixture. Any one SAT fixture can have no more than one connected MST fixture
 - NX is supported for this application, consult Brand for use with other controls systems
 - Not available with DTS, GTD, ATSD
 - Not available with LUTH
 - All fixtures in a row must be the same driver type and voltage
 - Includes quick-connect wiring harness
 - Suspension support required at every fixture coupling; see Mounting Accessories Guide
- NX In-Fixture Control Options:**
- Standard PAF when this option is chosen
 - Control Options include Injection Molded ABS End Cap
 - Fixtures with Control Options are Dry Location rated only
 - Only available with 0-10V dimming drivers (ED, ED1 & EDD)
 - Not available with surface mounting
 - Not available in 2ft when SpectraSync is chosen
- Third-Party Control Options:**
- LVS, LVR and ODPG only available with DALIP driver option
 - VIVE is a trademark of Lutron Electronics Co., Inc
 - Not available with SpectraSync (2750T or 2765T)
- Accessory Notes:**
- See Columbia Mounting Accessories page for additional options

EFFICACY
LUMEN RANGE: 1,500-17,000 LPW: Up to 148

Current

Current Lighting Solutions, LLC

701 Millennium Blvd.
Greenville, SC 29607

currentlighting.com/columbialighting

© 2022 HLI Solutions, Inc. All rights reserved. Information and specifications subject to change without notice. All values are design or typical values when measured under laboratory conditions.

Rev 07/19/22

COL_MPS_B_R01
