



Decorative High Bay



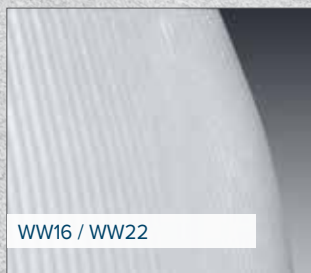
The Savvano™ is a decorative high bay available in a wide range of decorator friendly colors and available in two sizes (16" and 22"). It has 5 different lumen levels, 3 different reflector options and 5 color temperatures.

Features

- Overall fixture shape and style
- Variety of colors available
- Large selection of reflector sizes and types
- Up to 123 lumens per watt
- Five lumen levels from a low of 8,000 lumens to a max of 28,000 lumens
- 4 reflector bottom lens options

Applications





WINE



BLUE
STEEL



HUNTER
GREEN



CHAMPAGNE



RED



SERENITY
BLUE



CURRANT



GUNMETAL
GRAY



WHITE
WASH



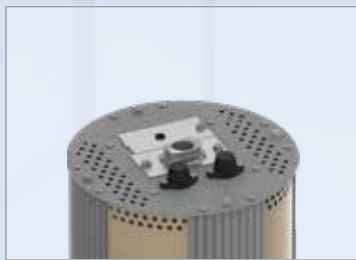
BLACK



Options and Accessories



HookLoop Cord



Fusing

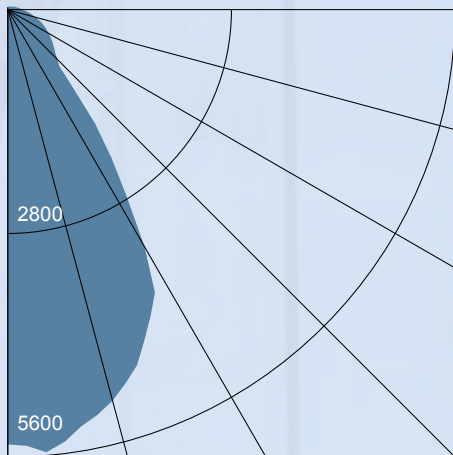


Pendant Mount

Photometry

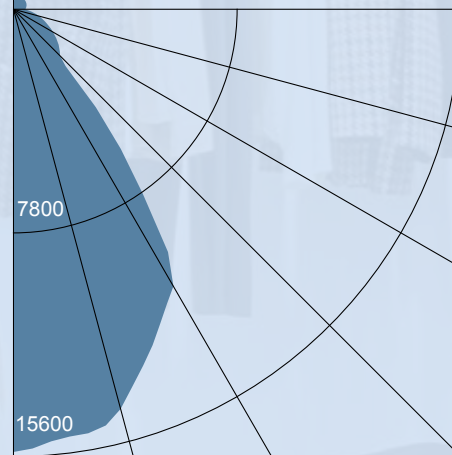
SAV-LH-35-8-SB16-N-U-GG

POLAR GRAPH



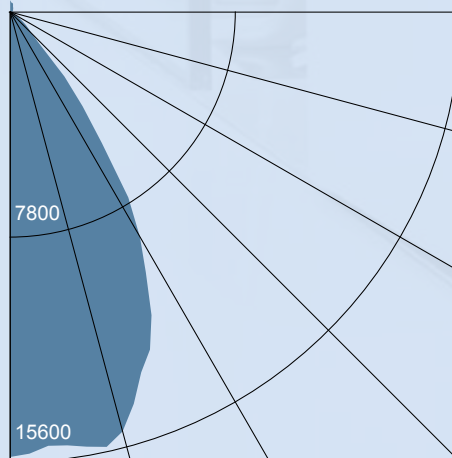
SAV-MH-50-8-WW22-N-U-GG

POLAR GRAPH



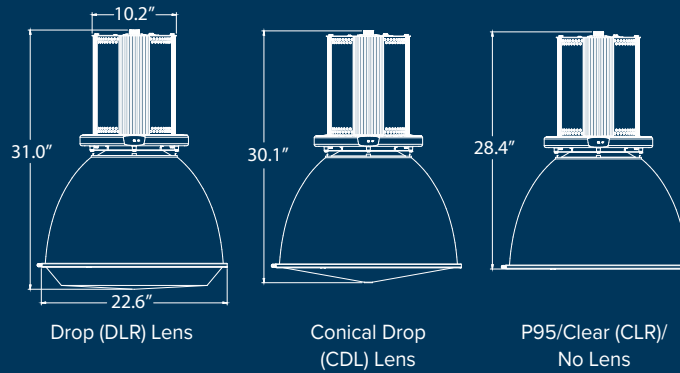
SAV-ML-35-8-WA22-N-U-GG

POLAR GRAPH

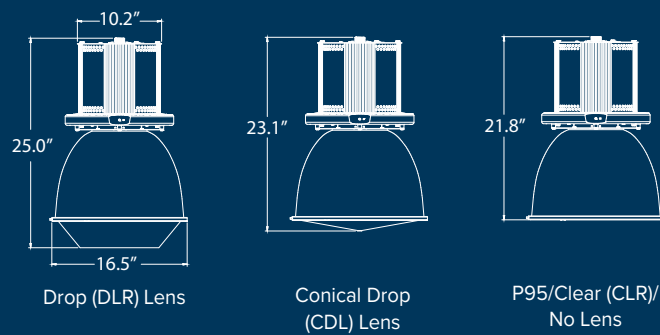


Dimensions

22" Option



16" Option



Replacement Parts

	Part NAME	DESCRIPTION	P/N	QTY
LED BOARDS	LED PCBA	LED Board - MH Output, 3500K CCT, 80 CRI	93076455-2005	1
		LED Board - MM Output, 3500K CCT, 80 CRI	93077856-2005	1
		LED Board - ML Output, 3500K CCT, 80 CRI	93077667-2005	1
		LED Board - LX Output, 3500K CCT, 80 CRI	93076354-2005	1
		LED Board - LH Output, 3500K CCT, 80 CRI	93078098-2005	1
DRIVERS	LED DRIVER	MH Output - 120V-277V	93080133	1
		MH Output - 347V-480V	93081746	1
		MM Output - 120V-277V	93080969	1
		MM Output - 347V-480V	93081746	1
		ML Output - 120V-277V	93080970	1
		ML Output - 347V-480V	93081769	1
		LX Output - 120V-277V	93076331-800	2
		LX Output - 347V-480V	93077419-800	2
		LH Output - 120V-277V	93077416-600	2
		LH Output - 347V-480V	93077419-600	2

Electrical Data

Lumens	CCT	CRI	Reflector	Lens	Catalog String	Lumen Output	Watts	Luminaire Efficacy	Ambient Temp Rating	Spacing Ratio	AMPS					
											120V	208V	240V	277V	347V	480V
LH	3500	80	SB16	N	SAV-LH-35-8-SB16-N-X-XX	8329	73	114.6	50°C	0.97	0.61	0.35	0.31	0.27	0.21	0.15
LH	3500	80	WA16	N	SAV-LH-35-8-WA16-N-X-XX	8142		112	50°C	0.9						
LH	3500	80	WW16	N	SAV-LH-35-8-WW16-N-X-XX	7986		109.8	50°C	0.98						
LX	3500	80	SB16	N	SAV-LX-35-8-SB16-N-X-XX	11275	95	117.9	50°C	0.96	0.81	0.47	0.41	0.36	0.28	0.2
LX	3500	80	WA16	N	SAV-LX-35-8-WA16-N-X-XX	10942		114	50°C	0.89						
LX	3500	80	WW16	N	SAV-LX-35-8-WW16-N-X-XX	10783		112.8	50°C	0.97						
ML	3500	80	SB22	N	SAV-ML-35-8-SB22-N-X-XX	18129	153	118	40°C	0.99	1.25	0.73	0.64	0.57	0.45	0.34
ML	3500	80	WA22	N	SAV-ML-35-8-WA22-N-X-XX	17040		110.6	40°C	0.94						
ML	3500	80	WW22	N	SAV-ML-35-8-WW22-N-X-XX	17878		116.7	40°C	1.02						
MM	3500	80	SB22	N	SAV-MM-35-8-SB22-N-X-XX	20296	177	114.3	40°C	0.99	1.48	0.86	0.77	0.68	0.52	0.38
MM	3500	80	WA22	N	SAV-MM-35-8-WA22-N-X-XX	19324		108.7	40°C	0.93						
MM	3500	80	WW22	N	SAV-MM-35-8-WW22-N-X-XX	20293		114.5	40°C	1.02						
MH	3500	80	SB22	N	SAV-MH-35-8-SB22-N-X-XX	24356	219	109.6	40°C	1	1.83	1.04	0.92	0.81	0.64	0.47
MH	3500	80	WA22	N	SAV-MH-35-8-WA22-N-X-XX	23369		105.1	40°C	0.93						
MH	3500	80	WW22	N	SAV-MH-35-8-WW22-N-X-XX	24495		111.7	40°C	1.02						

Ordering Guide

Example: SAV-MH-27-8-WA22-P95-U-WW-F(X)

SAV	Lumen Output		CCT	CRI	Optic	Lensing	Voltage					
Model												
SAV Sawvano™ LED High Bay	LH	Low Bay Low Output (8,000 lm)	27	2700K	8	80	Low Bay — 16"	N	None	U	Universal	
	LX	Low Bay Med Output (12,000 lm)	30	3000K	9	90	SB16	Suspended Bead	P95	Frosted Acrylic Lens	1	120V
	ML	High Bay Low Output (18,000 lm)	35	3500K			WA16	Clear Acrylic	CDL	Conical Drop Lens	2	208V
	MM	High Bay Med Output (22,000 lm)	40	4000K			WW16	Translucent White	CLR	Clear Acrylic	3	240V
	MH	High bay High Output (28,000 lm)	50	5000K			High Bay — 22"		DLR	Dropped Lens Refractor	4	277V
							SB22	Suspended Bead			F	347V
							WA22	Clear Acrylic			5	480V
							WW22	Translucent White				

Color ¹	Options
WW	White Wash
GG	Gunmetal Gray
BL	Black
RD	Red
BS	Blue Steel
CH	Champagne
HG	Hunter Green
SB	Serenity Blue
CR	Currant
WN	Wine
	F(x) Fusing
	C(y)HLP(x) Cord, Hook, Loop & Plug (15A)
	SCL Sensor Control, Low Voltage ^{2,3}
	WG23A Bottom Wire Guard for SB22, WA22, WW22
	WG16 Bottom Wire Guard for SB16, WA16, WW16

Notes:

- 1 Custom colors available upon request. Please consult factory for details.
 - 2 SCL limits ambient temperature to no more than 35°C
 - 3 SCL is available in 120V, 277V and 347V only
- Replace (X) with the voltage, 1=120V, 2=208V, 3=240V and 4=277V.
Replace (y) with the length, 4=4ft, 6=6ft, 8=8ft., 10=10ft., 12=12ft.

Current

Current Lighting Solutions, LLC

701 Millennium Blvd.
Greenville, SC 29607

currentlighting.com/columbialighting

© 2022 HLI Solutions, Inc. All rights reserved. Information and specifications subject to change without notice. All values are design or typical values when measured under laboratory conditions.

Rev 05/28/22

COL_SAV_B_R01