



UTILIBAY™

UTB2 High Bay

Columbia
LIGHTING

Current 



UTILIBAY™

Utility

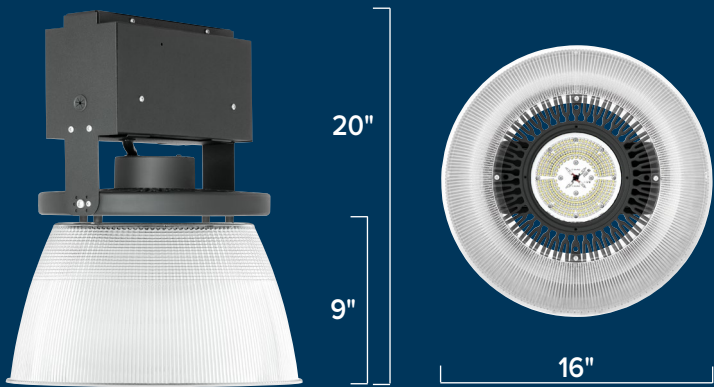
noun

I. the state or quality of being useful; usefulness

adjective

II. having or made for a number of useful or practical purposes rather than a single, specialized one

Dimensions



APPLICATIONS

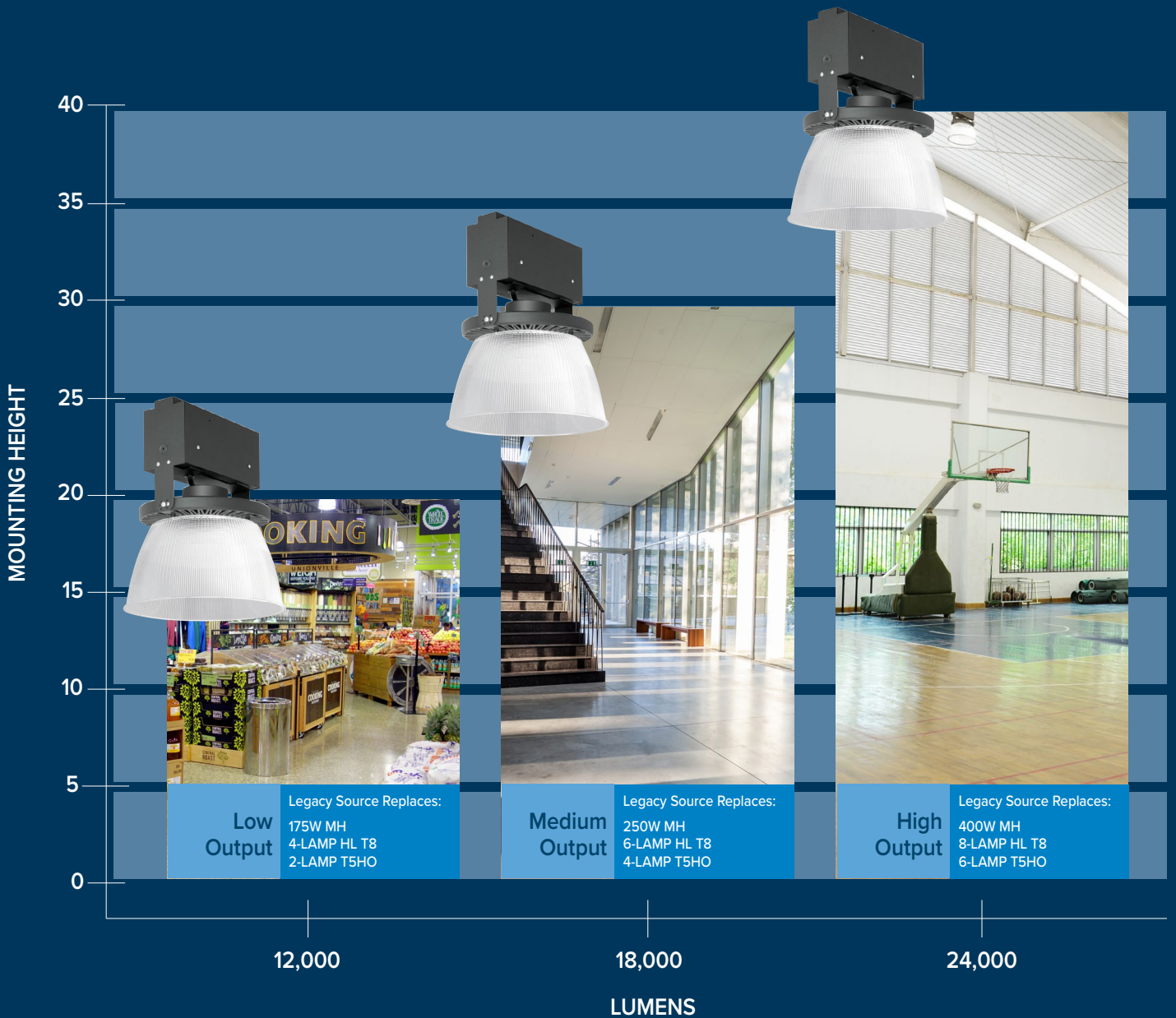
- Light Industrial
- Multi-purpose Rooms
- Gymnasiums
- Convention Centers
- Retail
- Grocery
- Warehouse
- Hangars
- Small Arenas

COLOR OPTIONS



Performance

- Class leader in performance — standard and high efficacy options now available.
- Choose from 70/80/90 CRI color rendition options to refine the aesthetics of the environment.
- Round mechanical design simplifies and enhances symmetrical installation.
- Wide ambient operating range up to 65°C (149°F).
- Light weight construction for easy installation.





Upgraded Capability

- Emergency lighting options ensure proper illumination in emergency mode with control override capability, CSA certified to UL 924 standards.
- Integrated sensor options include standalone sensors and NX integrated controls.



Control Your Space Effortlessly

Current's UTB2 high bays are available with integrated NX Lighting Controls lighting control sensors and modules. NX offers complete, code-compliant lighting controls with occupancy/vacancy detection, individual or multi-zone daylight level (harvesting) dimming, time schedules and native BACnet® building networking built in.



Truly Intelligent

NX integrated UTB2 high bays use the NX Lighting Controls mobileApp for wireless programming and scheduling, dramatically reducing the time it takes to configure or modify crucial settings. UTB2 high bays with NX sensors are optimized for high mounting heights typically found in warehouse, manufacturing and gymnasium applications.



Scalable

Using wired, wireless and hybrid networks, the NX enabled UTB2 high bays operate in multi-tiered control strategies.



Simple

NX Integrated UTB2 high bays simplify planning and reduce installation costs and complexity—no additional control wiring.

Reflector and Lens Options

The Utilibay™ High Bay is available with 5 different reflector options and 3 different lens options providing a solution for a variety of environments.



Ordering Information

Example: UTB2-730-LX-ED1-WA16-DLR-WH-C6HLP115A

UTB2					ED								
Series	CRI	Color Temp	Nominal Lumens		Driver	Voltage		Optic	Lens	Color			
UTB2 High Bay (Series 2)	7	>70	30	3000K	ED 0-10V dimming to 10%	U	120-277 ¹	WA16	Clear Acrylic 16"	N	None	BL	Black
	8	>80	35	3500K		LX	12,000	WW16	Translucent White 16"	CDL	Conical Drop Lens	GR	Gray
	9	>90	40	4000K		LXHE	12,000	OP16	Opalescent Acrylic 16"	DLR	Dropped Lens Refractor	WH	White
50			5000K	MM		18,000	SB16	Suspended Bead 16"	P95	Frosted Acrylic Lens	CC	Custom Color	
				MMHE		18,000	AL16	Anodized Aluminum 16"					
				MH	24,000								
				MHHE	24,000								
				MVHE	30,000								

Options	
C(y)HLP(x)(z)	Cord, Hook, Loop & Plug ^{2,3,4}
C4H	4' Cord w/ Hook/Loop ⁴
C6HL	6' Cord w/ Hook/Loop ⁴
C8HL	8' Cord w/ Hook/Loop ⁴
C10HL	10' Cord w/ Hook/Loop ⁴
C12HL	12' Cord w/ Hook/Loop ⁴
CGS	Clear Glass LED Shield
ELL14	Emergency Backup, 1400 Lumens (BSL310SB) ^{5,6}
F(x)	Fusing ^{2,6}
DTS	Dimming Transfer Module ^{7,8}
SP	10KV Surge protector (voltage specific)

Options	
Sensor Controls	
NXW	NX Networked Wireless Radio Module NXRM2 and Bluetooth Programming, without Sensor
NXWLM	NX Networked Wireless Enabled Integral NXSMP2-LMO PIR Occupancy Sensor with Automatic Dimming Photocell and Bluetooth Programming
SCL	On/Off Occ. Sensor, Low Voltage, 1:25 Mounting Height to Coverage Ratio ^{6,9,11}
SCD	Dim. Occ. Sensor, Line Voltage, 1:25 Mounting Height to Coverage Ratio ^{6,9,11}

Accessories

- UTBFWG Wire Guard - Full Cage
- UTBWGD Wire Guard - Full Cage with Deep Lens Bottom Cover for CDL or DLR Lens option
- UTBFWGS Wireguard - Full Cage with Shallow lens bottom cover for P95 Lens option
- UTB-TLR Luminaire Retainer

Notes:

- 1 Not available with voltage specific cord or fuse options.
- 2 Replace (X) with the voltage, 1=120V, 2=208V, 3=240V, 4=277V, F= 347V, 5=480V.
- 3 Replace (Y) with the length. 4=4ft, 6=6ft, 8=8ft., 10=10ft., 12=12ft. Replace (Z) with 15A or 20A.
- 4 3 wire (line voltage) cord standard; for 5 wire (line + low voltage) cord configurations please contact factory
- 5 ELL14 Not available with Fusing - F(x) or Surge Protector - SP
- 6 Not available with 347V or 480V
- 7 For emergency circuit control loads including sensors and wireless systems listed to UL924. Universal Voltage Only. See page 7 for wiring diagram
- 8 Consult factory for available configurations
- 9 Not available with any other control options.
- 10 Not available with 480V
- 11 Not available with N - No Optic

Current

Current Lighting Solutions, LLC

701 Millennium Blvd.
Greenville, SC 29607

currentlighting.com/columbialighting

© 2022 HLI Solutions, Inc. All rights reserved. Information and specifications subject to change without notice. All values are design or typical values when measured under laboratory conditions.

Rev 03/29/23

COL_UTB2_B_R01
