

 **Versify**

Architectural Edge-Lit

Columbia
LIGHTING

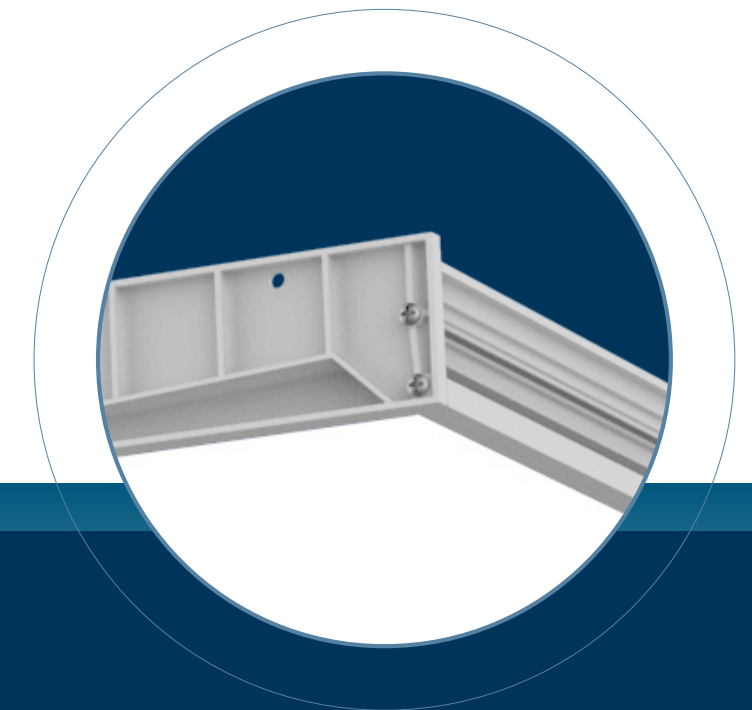
Current 



Versify™ Architectural Edge-Lit balances clean, streamlined architectural elements with high performance, making it the perfect complement to a wide variety of applications. The smooth, even illumination of the edge-lit lens produces a look of continuity across the face of the luminaire with a low glare element. Energy savings are easily achieved with Versify's high lumen per watt performance and optional controls compatibility.

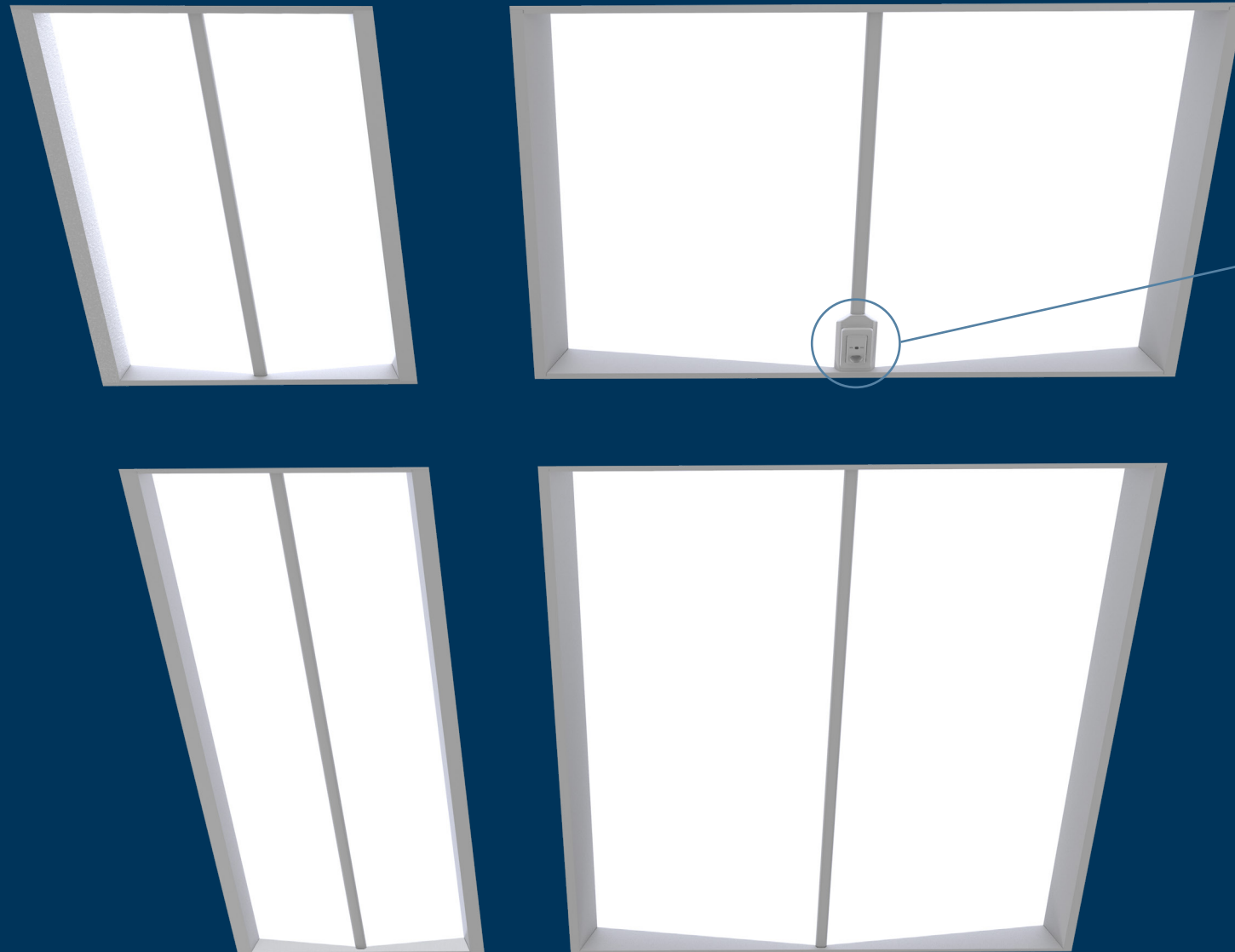


DLC®
(DesignLights Consortium) Qualified, with some Premium Qualified configurations. Please refer to the DLC website for specific product qualifications at www.designlights.org



Architectural Aesthetics

A clean, streamlined look available in 1x2, 1x4, 2x2 and 2x4 configurations enables Versify to be used in a variety of spaces.



Controls Technology

Versify™ integrates sensors into its design in a clean, unobtrusive manner. Optional sensors and wired or wireless controls further increase energy savings. Shown above: closeup of NX Lighting Controls sensor.

Robust Construction

Rigidity is achieved using cast aluminum endcaps, extruded aluminum sides and center rails, finished with a matte white polyester powder coat that brings the elements together.

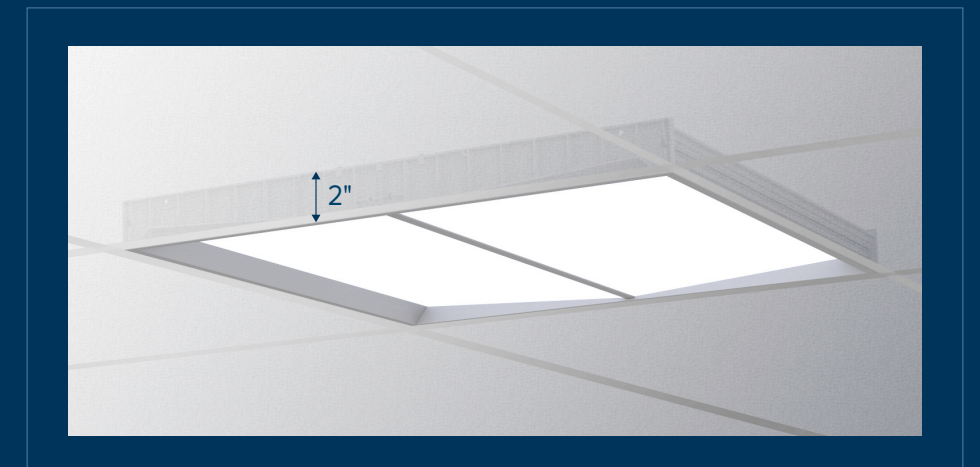


Emergency Solutions

CSA certified to UL 924 standards with battery pack or DTS (Dimming Bypass Module) options

Shallow Depth

At only 2 inches deep, Versify is a perfect solution for restricted plenum spaces. An optional integral battery pack only adds ¼ inch to the overall luminaire height.





Edge-Lit Technology

Edge-lit optics provide even illumination across the lens with low glare, low pixelation and high lumen per watt performance.

The Versify™ full fixture lens design amplifies the benefits of this technology, maximizes luminous area and increases overall visual comfort.

The subtle slope of the frame and the streamlined, narrow centerpiece create unique visual interest in offices, schools, public areas and medical spaces. Understated but effective, Versify's minimalistic clean approach takes architectural illumination to the next level.



1x2
Nominal Lumens | 1400–4300
Efficacy (LPW) | 126–132

1x4
Nominal Lumens | 2100–8250
Efficacy (LPW) | 120–135

2x2
Nominal Lumens | 1400–5650
Efficacy (LPW) | 124–144

2x4
Nominal Lumens | 2125–8350
Efficacy (LPW) | 121–140



Working

Versify™ Architectural Edge-Lit's streamlined aesthetics complement any office setting. In relight or new construction applications, Versify's integral control solutions will maximize energy savings and meet the latest energy code requirements. With four sizes and multiple lumen options to choose from, Versify is customizable to meet the needs of any office application.



Learning

Versify™ Architectural Edge-Lit's smooth, even illumination and low glare make it a perfect choice for classrooms. With the addition of our optional SpectraSync™ Color Tuning Technology, the mood of the classroom can be adjusted to enhance the educational experience. Versify can also be used in other areas of the building, from hallways to offices, for a standardized look throughout the entire space.

Well-Being

Versify adds an architectural flare to many healthcare applications. Its low 2-inch profile makes it a perfect fit for tight plenum spaces and its flat surfaces make cleaning easy. Optional SpectraSync™ Color Tuning Technology provides a soothing atmosphere and sense of well-being for patients and staff.



Control your space based on the needs of the application, specific activities throughout the day and preferences of the occupants with SpectraSync™ Color Tuning Technology.



Tunable White offers you the ability to tailor correlated color temperature (CCT) to your personal preference, enhancing task visibility, material and colors, and the aesthetics of the space. (Available with 2700K–5000K or 2700K–6500K)



NX Lighting Controls enhances Versify™ with the NX Occupancy Sensors with Dimming Daylight Harvesting option.

Versify luminaires are available with integrated NX Lighting Controls sensors and modules. NX Lighting Controls offer complete, code-compliant lighting controls with occupancy/vacancy detection, individual or multi-zone daylight level (harvesting) dimming, time schedules and native BACnet® building networking built in.



Truly Intelligent

NX Lighting Controls use NX Lighting Controls mobile app for wireless programming and scheduling, dramatically reducing the time it takes to configure or modify crucial settings.



Scalable

Using wired, wireless and hybrid networks, the NX Lighting Controls enabled Versify luminaires operate in multi-tiered control strategies.



Simple

Luminaires integrated with NX Lighting Controls simplify planning and reduce installation costs and complexity – no additional control wiring.

Ordering Information

Example: VSY24–35MLHEG–EDU

Model	Size	CRI	Color Temp	Delivered Lumens ²	Ceiling Type
VSY Versify Architectural Edge-Lit	12 1' x 2' 14 1' x 4' 22 2' x 2' 24 2' x 4'	Blank >80 9 >90	30 3000K 35 3500K 40 4000K 50 5000K 2750T 2700K-5000K SpectraSync™ Tunable White ^{1,6} 2765T 2700K-6500K SpectraSync™ Tunable White ^{1,6}	XWHE 2119–2366 VWHE 1390–3267 MWHE 1904–3861 LWHE 2501–4429 MLHE 3197–4927 HLHE 3551–5744 VLHE 4306–7309 XLHE 7711–8354	G Grid ³

Driver	Voltage	Options	Control Options
ED 0-10V Dimming	U 120V–277V	ELL14 Emergency Battery Pack, 1400 Lumens ^{4,6,7}	NX Networked – Wired
ED1 0-10V 1% Dimming	347 347V	ELL14ST Emergency Battery Pack, 1400 Lumens, Self Test ^{4,6,7}	NXE NX Wired Dual RJ45 SmartPORTS, without Sensor
EDD 0-10V Dim-to-Dark		ELL14H2 Emergency Battery Pack, 2-Hour Run Time ^{4,6,7,8}	NXESM NX Wired Dual RJ45 SmartPORTS and Integral NXSMP2-SMI PIR Occupancy Sensor with Automatic Dimming Photocell and Bluetooth Programming
LUTH Hi-lume 1% EcoSystem LED driver with Soft-on, Fade-to-Black dimming technology ^{2,4,13}		DTS Dimming Bypass Module ^{4,6,7,9}	NX Networked – Wireless
DALIP DALI Power Bus ^{4,5,13}		C388 3-Wire Flex ¹²	NXW NX Networked Wireless Radio Module NXRM2 and Bluetooth Programming, without Sensor
		C488 4-Wire Flex ¹²	NXWSM NX Networked Wireless Enabled Integral NXSMP2-SMI PIR Occupancy Sensor with Automatic Dimming Photocell and Bluetooth Programming
		C588 5-Wire Flex ¹²	NXWRM NX Networked Wireless Enabled Integral NXSMP2-LMI PIR Occupancy Sensor with Automatic Dimming Photocell and Bluetooth Programming
		C688 6-Wire Flex ¹²	NX Connect - Wireless
		GLR Fast Blow Fuse	NXCSC NX Connect NXC-WIZ20 Wireless Indoor Occupancy & Photocell Sensor ¹¹
		CP Chicago Plenum	NX Connect Networked - Wireless
		SAF SpectraSAFE™ Integrated Surveillance Lighting System ^{4,10}	NXENS NX Connect NXC-WIZ20 Wireless Indoor Occupancy & Photocell Sensor ¹²

Notes:

- Available with ED driver only. See specification sheet for lumen package options
- Refer to specification sheet performance tables for exact values and available lumen outputs for fixture size. High efficacy versions designated with "HE"
- For drywall, order G with flange kit accessory
- Not available in 347V
- DALIP only available with ODPG, LVS and LVR control options
- Combination of all three; SpectraSync, NX, and emergency battery pack not available (applies only to 1x2 and 2x2)
- For compatibility with Dual-Lite Litegear inverters, contact representative
- Not available for use in Canada
- For emergency circuit control loads including sensors and wireless systems CSA certified to UL 924. Only available with 0–10V drivers. See specification sheet for wiring diagram
- SpectraSync+NX+SAF can not be configured. Only available with NXE, NXWE or NXWD

NX In-Fixture Control Options:

- NX Connect devices can be customized with the NX Connect app, available on the Apple® App Store
- NX Connect Networked devices can be customized with the NX Controls Software web app

Third-Party Control Options:

- Not available with SpectraSync
- Vive is a trademark of Lutron Electronics Co., Inc
- ODPG, LVS and LVR only available with DALIP

For questions about configuration options, contact representative

Accessories (Order Separately)

FK12	1' x 2' Flange Kit
FK14	1' x 4' Flange Kit
FK22	2' x 2' Flange Kit
FK24	2' x 4' Flange Kit
KIT-VSY12 SM	VSY Surface Mount Kit (1'x2') ¹¹
KIT-VSY14 SM	VSY Surface Mount Kit (1'x4') ¹¹
KIT-VSY22 SM	VSY Surface Mount Kit (2'x2') ¹¹
KIT-VSY24 SM	VSY Surface Mount Kit (2'x4') ¹¹

Current

Current Lighting Solutions, LLC

701 Millennium Blvd.
Greenville, SC 29607

currentlighting.com/columbialighting

© 2022 HLI Solutions, Inc. All rights reserved. Information and specifications subject to change without notice. All values are design or typical values when measured under laboratory conditions.

Rev 07/19/22

COL_VSY_B_R01
