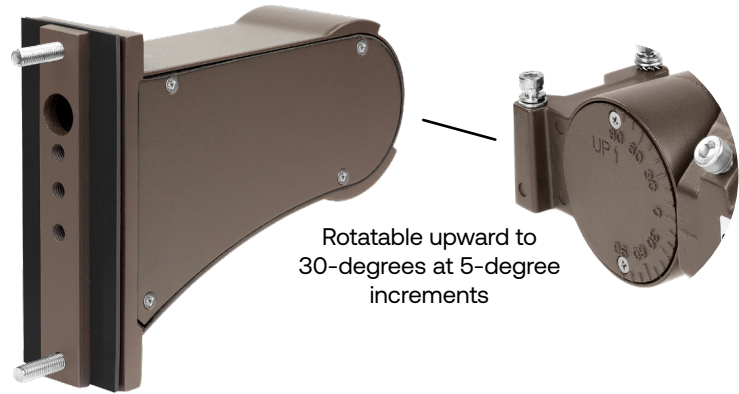


# SLING AREA/SITE



# Mounting Versatility

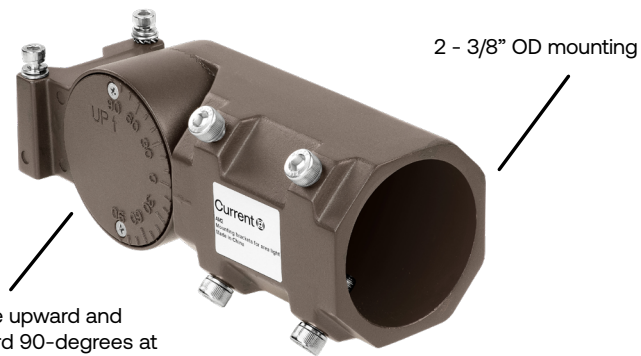
## SGS Arm



Round & Square Pole Mounting



## SGS-MAF



# SLING AREA/SITE



EXO's SGS Sling Site luminaire is available in two mounting options (Arm and Mast Arm fitter) Sling features a dense optical array with interchangeable optics which provides reduced pixilation and increased visual comfort without compromising performance. Switchable wattage and CCT allows you to customize your lighting design to meet application requirements in the field. Sling Site brings a value solution for site applications from small parking areas to general security.



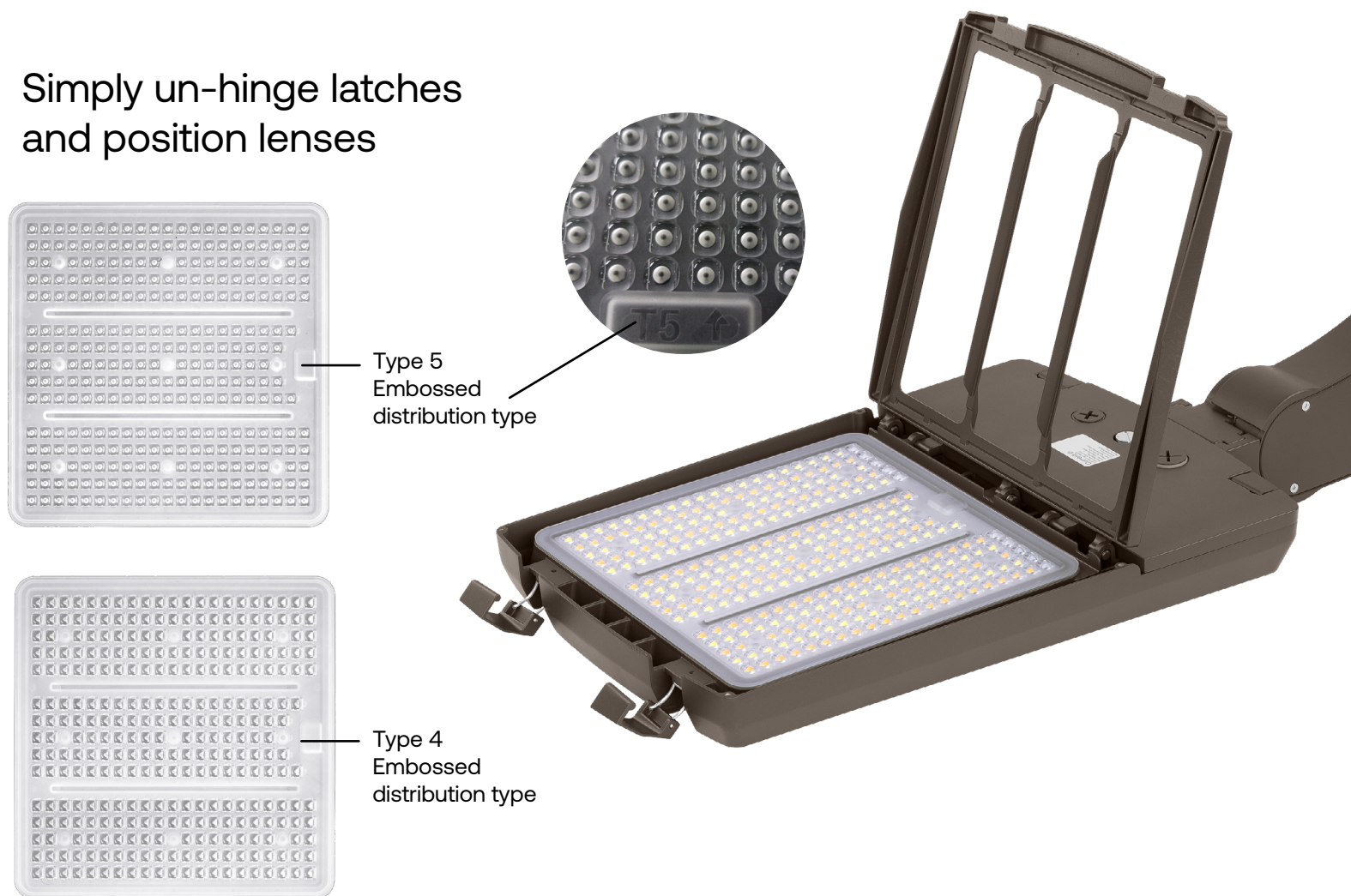
EXO's SGS Sling Site luminaire Mast Arm fitter mounting option designed for 2 - 3/8" pole or tenons.

# SLING AREA/SITE

Interchangeable Type 3, Type 4 or Type 5 distribution lenses for easy on-site distribution changes. All three optics are included with every unit.

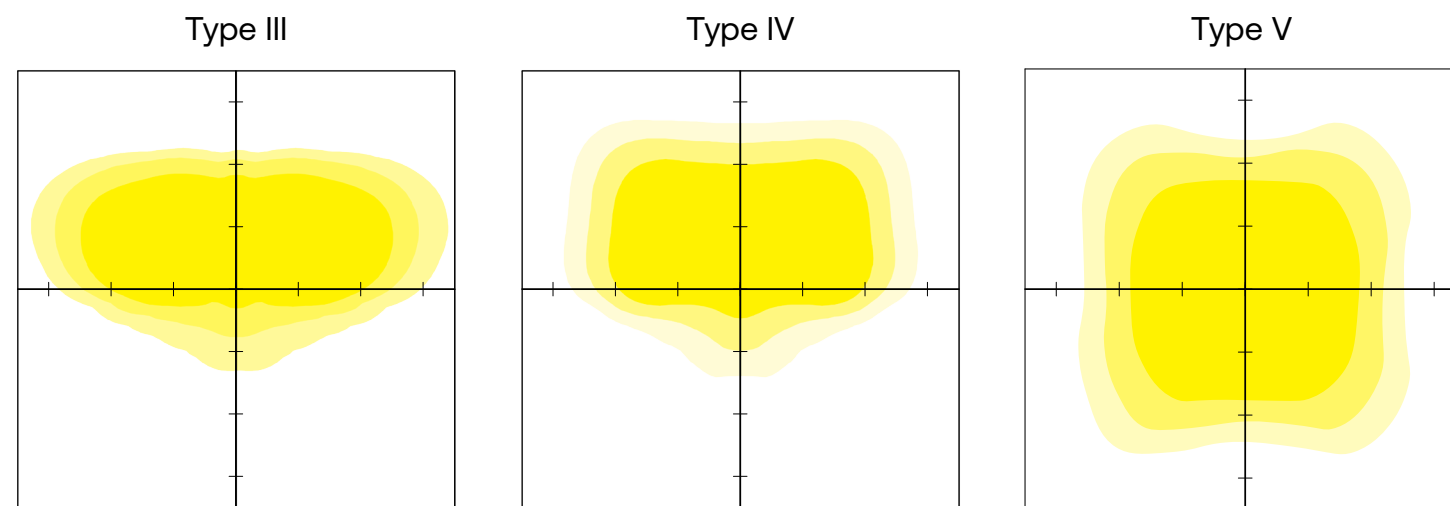


Simply un-hinge latches and position lenses



## PERFORMANCE

The Sling is available with three distinct distribution patterns to illuminate a variety of applications. Featuring a dense optical array with interchangeable optics which provides reduced pixilation and increased visual comfort without compromising performance.



# SLING AREA/SITE

## ORDERING

### STOCK ORDERING INFORMATION

Catalog Number	Includes	Lumens	Wattage	CCT	Voltage	Distribution	Finish
SGS-150-A-LSCS-UNVC	Arm Mount	13,032 - 22,944	85-150	3000K 4000K 5000K	120-347V	Type 3, Type 4, Type 5	Dark Bronze
SGS-150-MAF-LSCS-UNVC	Mast Arm Fitter	13,032 - 22,944	85-150	3000K 4000K 5000K	120-347V	Type 3, Type 4, Type 5	Dark Bronze
SGS-150-C-LSCS-UNVC-OCC	Arm Mount; Mast Arm Fitter; HBO3DPR	13,032 - 22,944	85-150	3000K 4000K 5000K	120-347V	Type 3, Type 4, Type 5	Dark Bronze

\* Programming remote required, typically one per site HBO3DPR-REMOTE

### ACCESSORIES (ORDERED SEPARATELY)

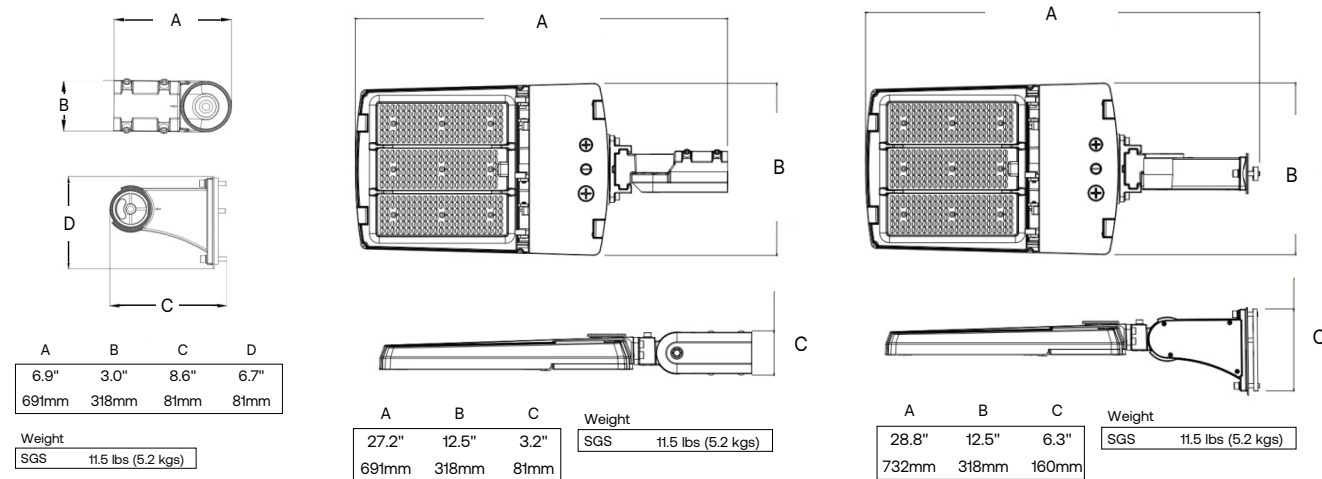
Catalog Number	Description
HBO3DPR	Field Installed Occupancy and Daylight Sensor
HBO3DPR-REMOTE	Programming Remote for HBO3DPR Sensor (Typically one required per site to program the sensors)
SGS-HSS	Field Installed House Shield
241-C-DBT	Flat surface bracket (Wall Mount Accessory. Compatible with MAF mounting only.)

### STOCK POLE COMBO\*

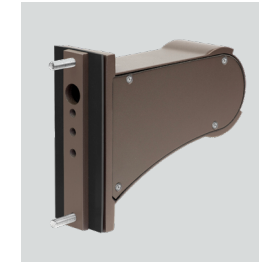
Catalog Number	Pole	Single or Double	Fixture	Distribution
SGS-150-LSCS-S20	20' Square Straight Steel	Single Head	SGS-150-A-LSCS-UNVC	Type 3, Type 4, Type 5
SGS-150-LSCS-S20-2X	20' Square Straight Steel	Double Head	SGS-150-A-LSCS-UNVC	Type 3, Type 4, Type 5
SGS-150-LSCS-S25	25' Square Straight Steel	Single Head	SGS-150-A-LSCS-UNVC	Type 3, Type 4, Type 5
SGS-150-LSCS-S25-2X	25' Square Straight Steel	Double Head	SGS-150-A-LSCS-UNVC	Type 3, Type 4, Type 5

\* Stock poles are DBT (Dark Bronze Textured) 4 inch shaft, 0188 Wall Thickness with an S2 Drill Pattern

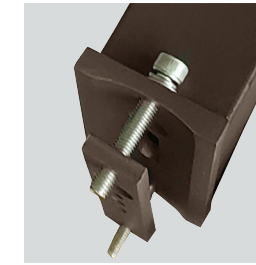
### DIMENSIONS



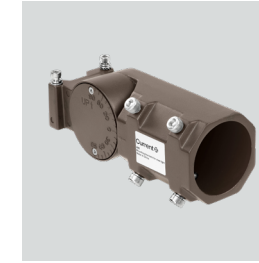
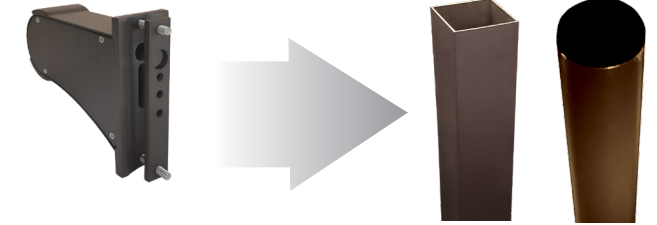
### MOUNTING



Arm Mount – Fixture ships with integral arm for ease of installation. Compatible with S2 drill pattern.



SGS Arm for flat surface (wall), square pole mounting (with gasket), round pole mounting for 4" to 5"OD (remove gasket).



MAF – Fits 2-3/8" OD arms Roadway applications.



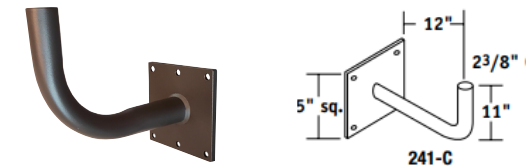
HBO3DPR



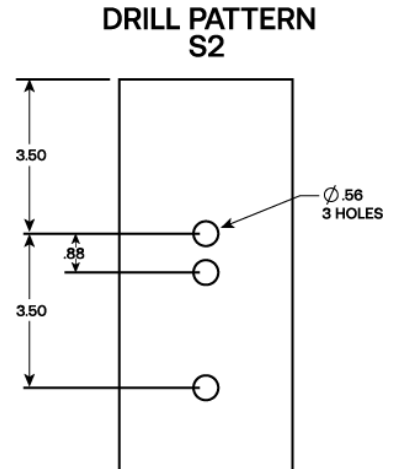
House Side Shield



HBO3DPR-Remote



241-C-DBT



### FINISH OPTIONS



DBT Dark Bronze Matte Textured



# Current @

## Current - HLI Brands

701 Millennium Blvd.  
Greenville, SC 29607

[currentlighting.com/exo](http://currentlighting.com/exo)

© 2024 HLI Solutions, Inc. All rights reserved. Information and specifications subject to change without notice. All values are design or typical values when measured under laboratory conditions.

Rev 09/19/24

EXO\_SLING\_SGS\_BROCHURE\_R01