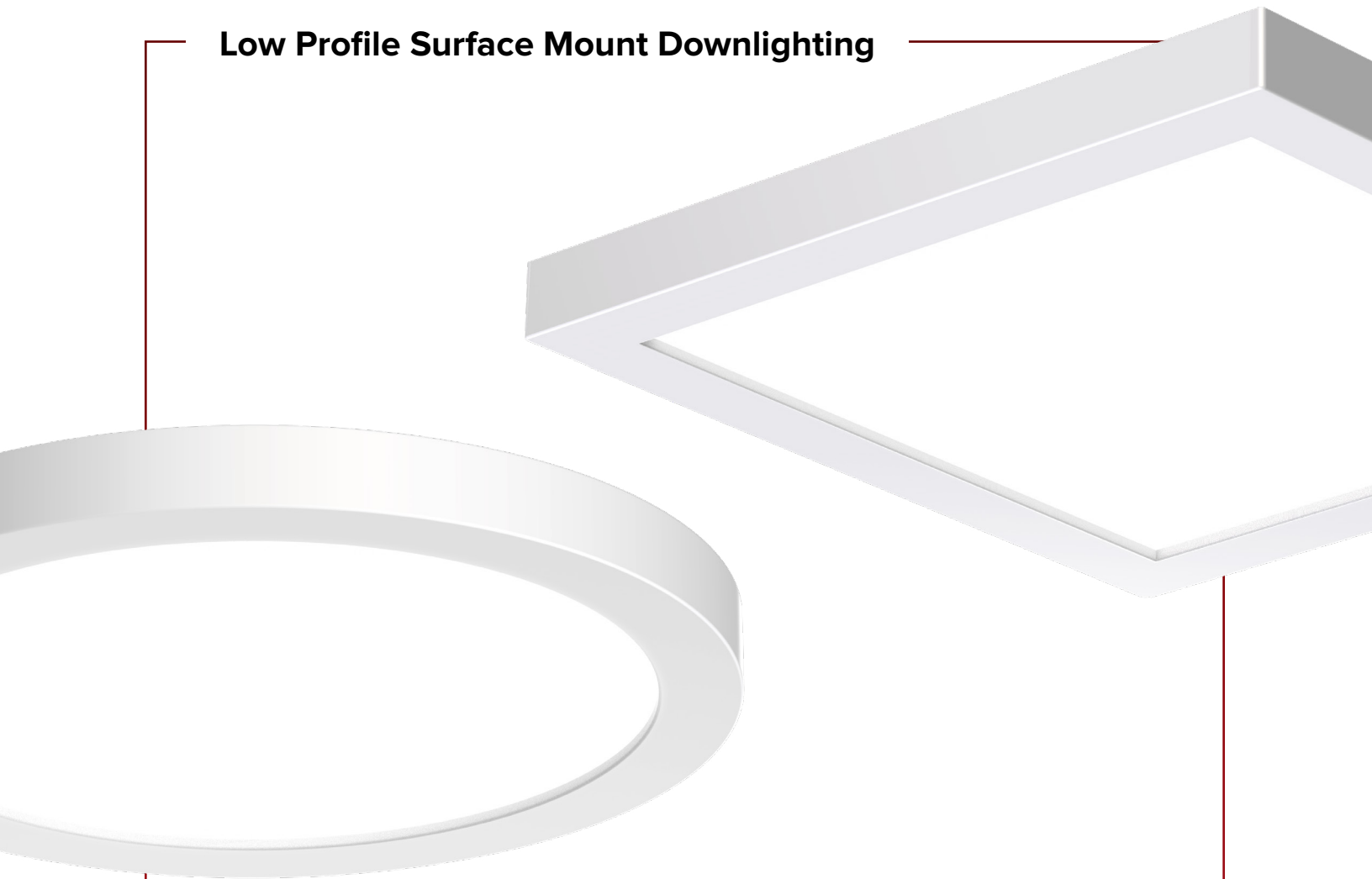


Low Profile Surface Mount Downlighting



LITEBOX<sup>®</sup>  
edge-lit

 prescolite

# LITEBOX<sup>®</sup>

## edge-lit

### Low Profile Surface Mount Downlighting

LiteBox<sup>®</sup> Edge-Lit is a low-profile surface mount downlight family that affordably combines LED edge-lit technology and contemporary appearance with ease of installation and functional versatility. The family is available in 4", 6" or 8" round or square apertures with 750-1750 delivered lumen range.



#### Applications

- Hospitality - Restaurants, Hotels, Gyms
- Multi-Family - Condos, Townhouses, Apartments
- Healthcare - Rehab, Retirement Home



#### Appearance

- 1/2" profile with no exposed fasteners
- Available in 4", 6", or 8" round or square apertures



#### Simple Install

- Direct Mount integral driver uses a quick snap mounting plate that can be installed on common J-Boxes
- Remote Mount uses a convenient 3 1/2" sleeve that can be installed into any space using a standard 3 1/2" hole saw
- No housing required



#### Versatility

- Universal 120-277V with 0-10V/Triac/ELV Dimming
- Triac/ELV dimming to 5%; Dim to Off when using 0-10V
- Fixed CCT models in 3000K and 3500K, 80 CRI
- Switchable CCT models allow 4 CCTs (27/30/35/40K), 90 CRI







LiteBox® Edge-Lit is ideal for a wide range of spaces, including multi-family residential, offices, healthcare facilities, hospitality and other commercial spaces including wet location applications.



Hospitality



Multi-family



Office



Wet Location



Commercial

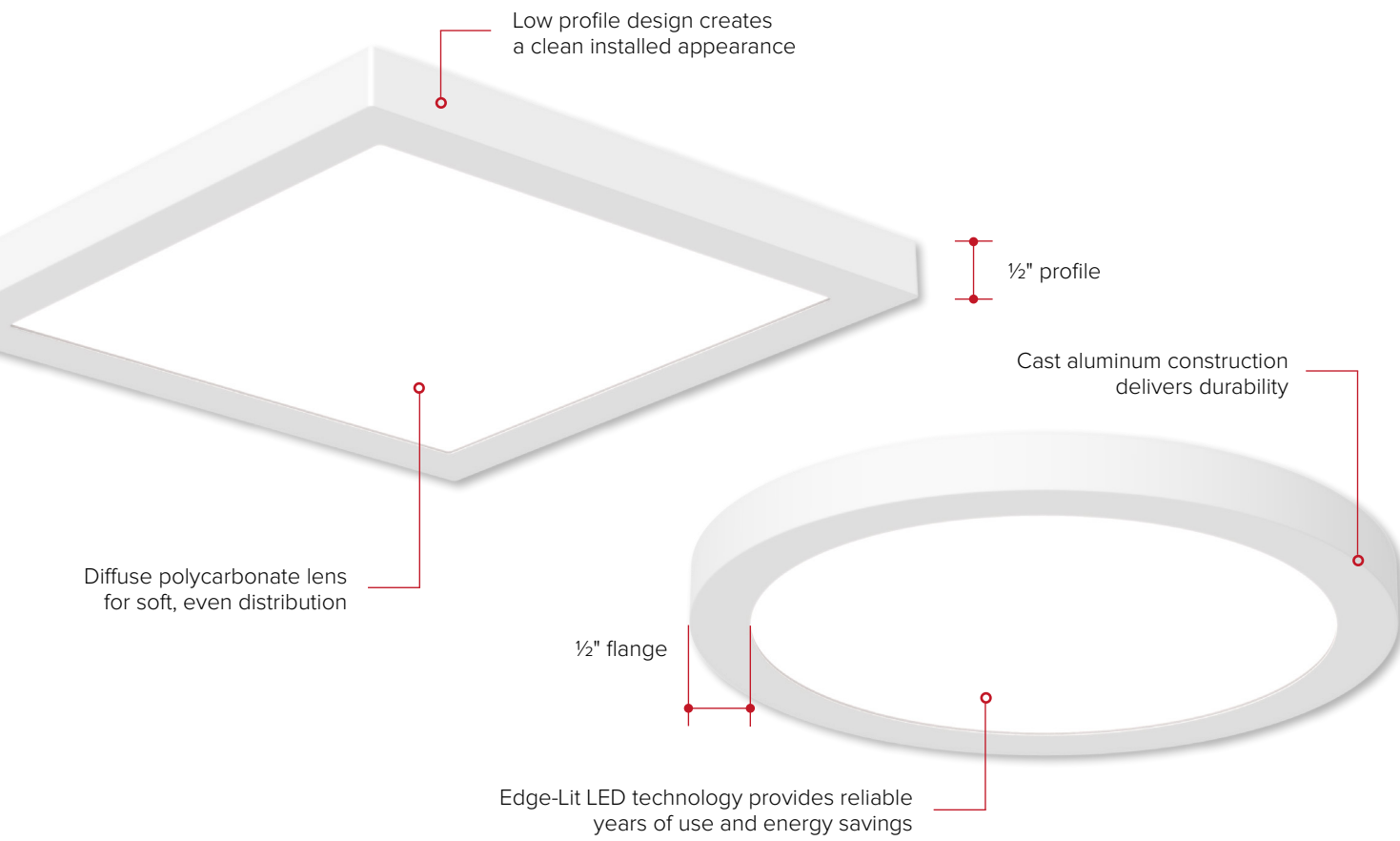


Healthcare





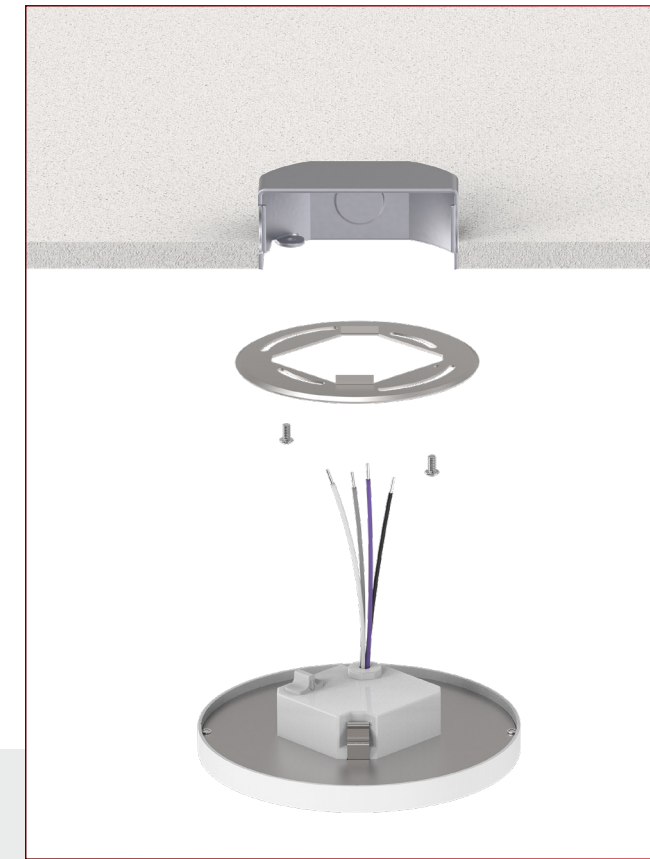
## Appearance



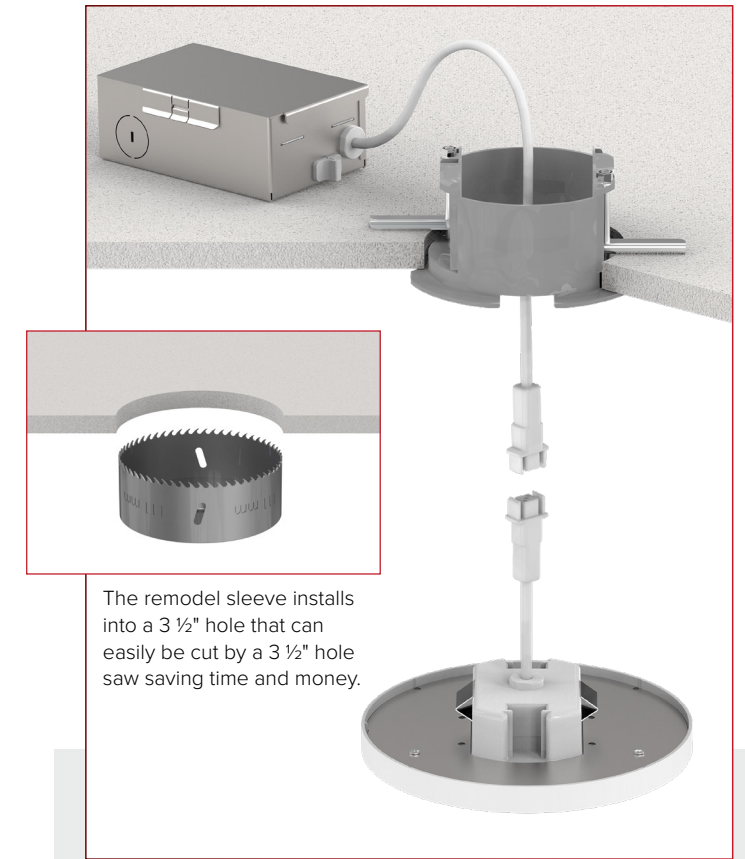
## Simple Install



### Direct J-Box Mount



### Remote J-Box Mount



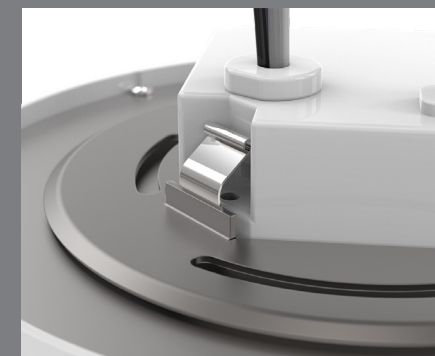
### LiteBox Edge-Lit Decorative Color Trims (Non-Conductive)

LiteBox Edge-Lit decorative color trims are available in White, Black, Silver and Brushed Oil Rubbed Bronze. They provide a unique look to the LiteBox Edge-Lit fixture. The trims are made of high quality polymer making them easy to install onto the fixture and provides a non-conductive dead front for the applications requiring it.



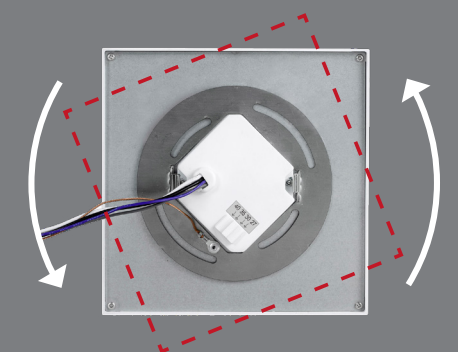
### Snap Install

- Easy snap install regardless of mounting
- All Remote J-Box mount use the same 3 1/2" round ceiling cutout size and remodel sleeve



### Square Alignment

- J-Box mounting plate and remodel sleeve can be adjusted
- No need to cut precise holes to ensure square fixture alignment





## Fixed CCT LBSE

The Fixed CCT (LBSE) is available in 30K or 35K with 80 CRI. It provides a cost effective, easy to install solution with a higher efficacy.

### Features

- 30K or 35K
- 80 CRI
- ENERGY STAR®

### Certifications

3000K

3500K

## Switchable CCT LBSES

The LiteBox Edge-Lit Switchable CCT (LBSES) can be field configured to 27K, 30K, 35K, or 40K with a simple switch. This allows flexibility during and after initial installation. The LBSES has enhanced color rendering with 90 CRI and is Title 24 JA8 compliant.

### Features

- 27K / 30K / 35K / 40K
- 90 CRI
- ENERGY STAR® / Title 24 JA8

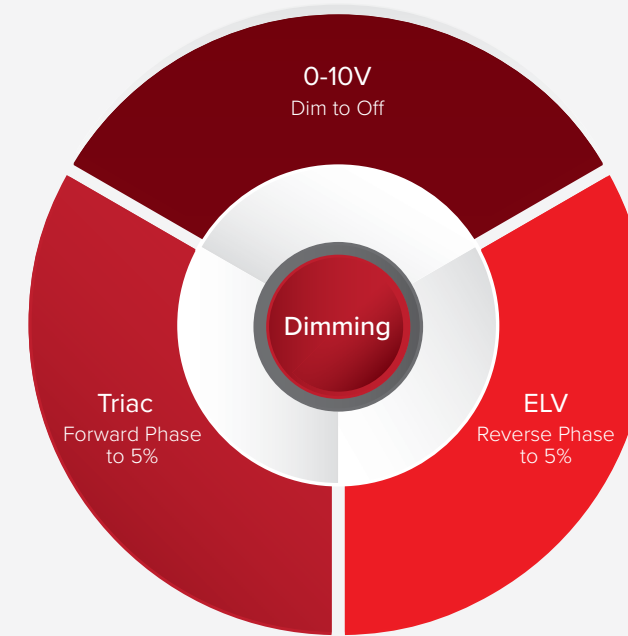
### Certifications

2700K

3000K

3500K

4000K



## Voltage & Dimming

Each LiteBox Edge-Lit product comes standard with universal 120-277V and a combination of 3 dimming protocols eliminating the need for multiple SKUs.



Current offers a variety of compatible wall dimmers including wireless solutions. For more information, visit [currentlighting.com](http://currentlighting.com).

Dimming Compatibility**		
0-10V	Current	RSD710-UNV-WV PSD710-UNV-WV
Triac	Current	RSDL06-120-WVLT
ELV	Current	RSDE06-120-WVL

\*\* For a full list of recommended compatible dimmers by Current and other manufacturers, refer to product specification sheets at [currentlighting.com/prescolite](http://currentlighting.com/prescolite).

## EM Accessory

UL 924 Compliant providing 90 minutes of emergency lighting

Accessory Kit includes EM remote J-Box and ring assembly with integral test switch/indicator

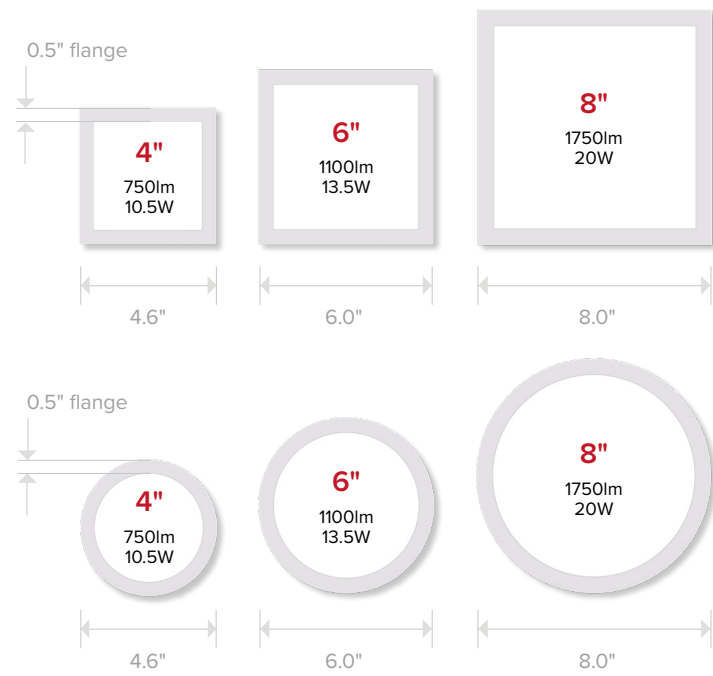
Requires remote J-Box mount (RM)



## Extension Cable Accessories

Universal extension cables are available in 12" and 24" lengths for use with Remote Mount (RM) models to allow varied installation distances.

## Dimension Overview

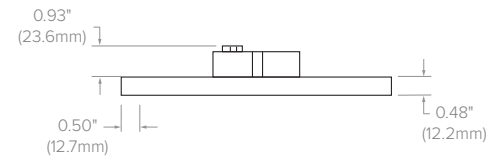


## J-Box Compatibility

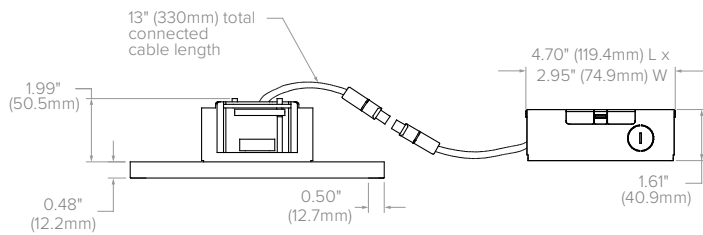
LBSE/LBSES Direct J-Box Mount is compatible with many standard 3-1/2" and 4" octagonal and round J-Boxes with a 1-1/2" minimum depth. Fire rated J-Boxes may also be used.



## Dimension Details



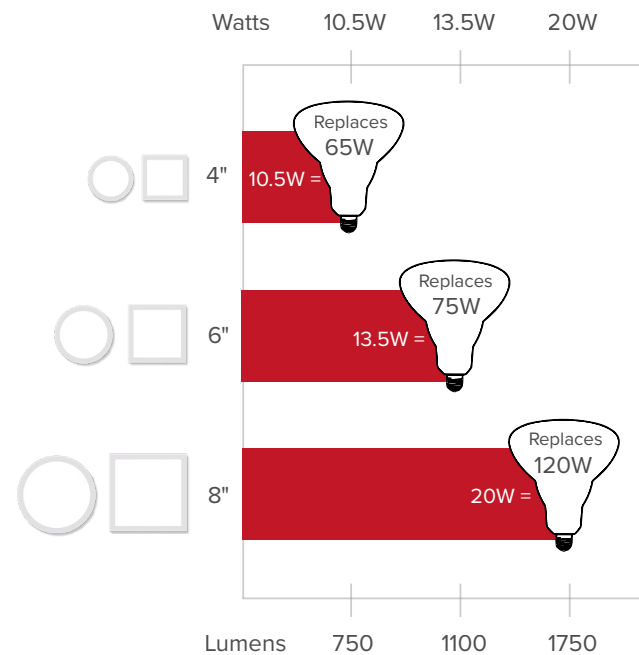
Direct J-Box Mount



Remote J-Box Mount

## Save Energy, Reduce Costs

Replacing incandescent lamps with long-life Edge-Lit LEDs significantly reduces energy consumption and maintenance costs.



LBSES - LiteBox® Edge-Lit							
Shape	Aperture	Catalog Number	Lumens	Wattage	LPW	CCT	CRI
●	4"	LBSES-4RD-CS9-WH	761	9.9	77	Switchable 27/30/35/40K	90
	6"	LBSES-6RD-CS9-WH	1178	13.1	90		
	8"	LBSES-8RD-CS9-WH	1754	19.3	91		
■	4"	LBSES-4SQD-CS9-WH	757	10.0	76		
	6"	LBSES-6SQD-CS9-WH	1076	13.0	83		
	8"	LBSES-8SQD-CS9-WH	1770	20.0	89		
LBSE - LiteBox® Edge-Lit							
●	4"	LBSE-4RD-30K8-WH	783	10.4	75	30K	80
		LBSE-4RD-35K8-WH	846	10.4	81	35K	
	6"	LBSE-6RD-30K8-WH	1144	12.9	89	30K	
LBSE-6RD-35K8-WH		1237	12.9	96	35K		
8"	LBSE-8RD-30K8-WH	1825	20.0	91	30K		
	LBSE-8RD-35K8-WH	1973	20.0	99	35K		
■	4"	LBSE-4SQD-30K8-WH	753	10.1	75	30K	
		LBSE-4SQD-35K8-WH	813	10.1	81	35K	
	6"	LBSE-6SQD-30K8-WH	1048	13.0	81	30K	
		LBSE-6SQD-35K8-WH	1133	13.0	87	35K	
	8"	LBSE-8SQD-30K8-WH	1669	20.0	83	30K	
		LBSE-8SQD-35K8-WH	1804	20.0	90	35K	

LBSES - LiteBox® Edge-Lit							
Shape	Aperture	Catalog Number	Lumens	Wattage	LPW	CCT	CRI
●	4"	LBSES-4RD-RM-CS9-WH	761	9.9	77	Switchable 27/30/35/40K	90
	6"	LBSES-6RD-RM-CS9-WH	1178	13.1	90		
	8"	LBSES-8RD-RM-CS9-WH	1754	19.3	91		
■	4"	LBSES-4SQD-RM-CS9-WH	757	10.0	76		
	6"	LBSES-6SQD-RM-CS9-WH	1076	13.0	83		
	8"	LBSES-8SQD-RM-CS9-WH	1770	20.0	89		
LBSE - LiteBox® Edge-Lit							
●	4"	LBSE-4RD-RM-30K8-WH	783	10.4	75	30K	80
		LBSE-4RD-RM-35K8-WH	846	10.4	81	35K	
	6"	LBSE-6RD-RM-30K8-WH	1144	12.9	89	30K	
LBSE-6RD-RM-35K8-WH		1237	12.9	96	35K		
8"	LBSE-8RD-RM-30K8-WH	1825	20.0	91	30K		
	LBSE-8RD-RM-35K8-WH	1973	20.0	99	35K		
■	4"	LBSE-4SQD-RM-30K8-WH	753	10.1	75	30K	
		LBSE-4SQD-RM-35K8-WH	813	10.1	81	35K	
	6"	LBSE-6SQD-RM-30K8-WH	1048	13.0	81	30K	
		LBSE-6SQD-RM-35K8-WH	1133	13.0	87	35K	
	8"	LBSE-8SQD-RM-30K8-WH	1669	20.0	83	30K	
		LBSE-8SQD-RM-35K8-WH	1804	20.0	90	35K	
Emergency Accessory Kits							
Shape	Aperture	Catalog Number	For Use With				
●	4"	LBSE-4RD-EM (WH OR BL)	LBSE/LBSES-4RD-RM				
	6"	LBSE-6RD-EM (WH OR BL)	LBSE/LBSES-6RD-RM				
	8"	LBSE-8RD-EM (WH OR BL)	LBSE/LBSES-8RD-RM				
■	4"	LBSE-4SQD-EM (WH OR BL)	LBSE/LBSES-4SQD-RM				
	6"	LBSE-6SQD-EM (WH OR BL)	LBSE/LBSES-6SQD-RM				
	8"	LBSE-8SQD-EM (WH OR BL)	LBSE/LBSES-8SQD-RM				



**Current** 

**HLI Solutions, Inc**

701 Millennium Blvd.  
Greenville, SC 29607

**[currentlighting.com/prescolite](https://currentlighting.com/prescolite)**

© 2022 HLI Solutions, Inc. All rights reserved. Information and specifications subject to change without notice.  
All values are design or typical values when measured under laboratory conditions.

Rev July 14, 2022

**LITEBOX\_Edge-lit\_Brochure\_R01**

---