



Evexia™
Patient Bed Light

Current ©



APPLICATIONS

PATIENT ROOMS

EMERGENCY ROOM
EXAMINATION

PHYSICIAN'S
EXAMINATION

PRODUCT OVERVIEW

The Evexia™ bed light blends a simple design, solid state performance, and durable construction to address the varied challenges of the patient bed environment. The flowing lines and gentle transitions in its form are aesthetically appealing and simplify routine cleaning. Dual optical compartments provide high quality, low glare illumination for both ambient and reading tasks while the die cast and extruded aluminum construction withstands the daily rigors of healthcare spaces.

EVEXIA

KEY FEATURES

The soft form limits sharp transitions for visual appeal and simplifies cleaning.

The curved lensed surfaces enhance illumination performance.

A variety of switching options including integral low voltage control for use with patient pillow controls.

Die cast end caps and extruded aluminum construction provide durability.

The acrylic lens, with internal linear detail and smooth face, has a uniform illuminated appearance.

Evexia is available in nominal 2, 3 and 4 foot versions.

The 3-step installation process simplifies installation.

The optional Bed Safety Switch reduces risk of damage from motorized hospital beds.

The integral night light option is available with 3-way low profile, stainless steel switches.

The dual LED optical compartments provide ambient and reading illumination.

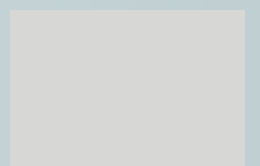
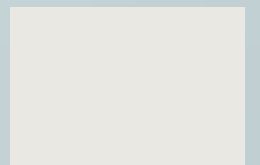
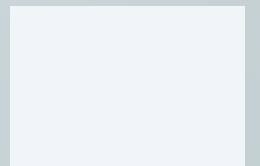
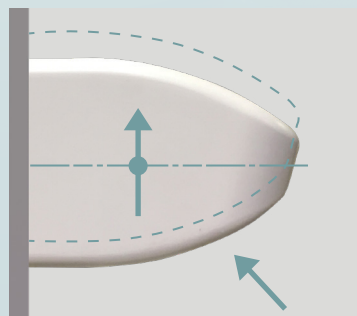
Pre-approved by OSHPD for installation in California healthcare facilities.

Evexia can be specified in three standard antimicrobial colors — with custom colors available upon request.

White

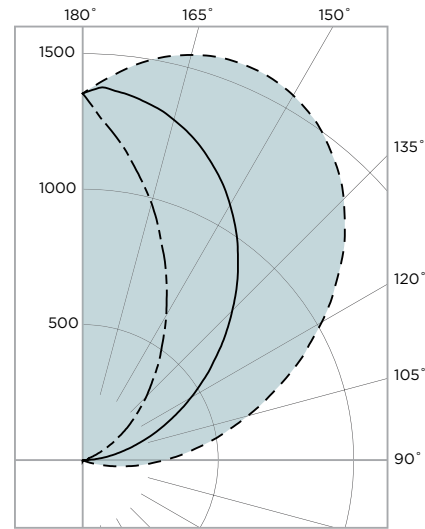
Taupe

Aluminum



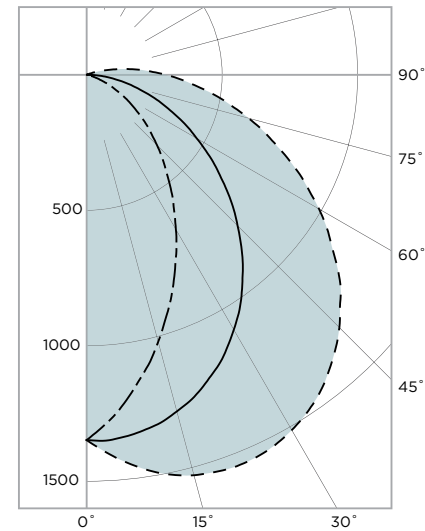
CANDELA PLOTS

LEGEND:
 0-deg: ———
 90-deg: - - - -
 180-deg: - - - -



AMBIENT (Uplight)

Report No.	#18.00933
Luminaire	4' Evexia patient bed light - Uplight only
Ballast	XI040C110V054BST1
Ballast Factor	1.00
Lamp	132-Seoul 3500 LED's
Fixture Lumens	3751
Watts	37.2
Efficacy	100.8 Lm/W
Mounting	Wall

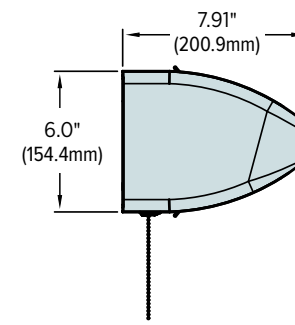


READING (Downlight)

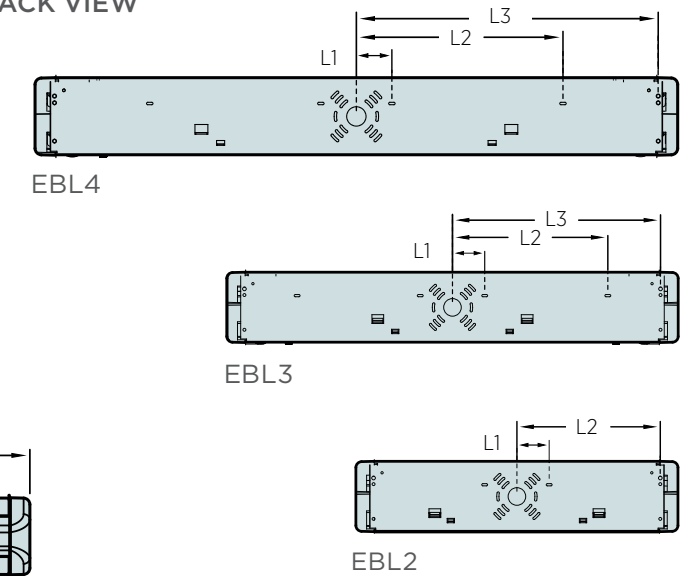
Report No.	#18.00934
Luminaire	4' Evexia patient bed light - Downlight only
Ballast	XI040C110V054BST1
Ballast Factor	1.00
Lamp	132-Seoul 3500 LED's
Fixture Lumens	3759
Watts	37.0
Efficacy	101.6 Lm/W
Mounting	Wall

DIMENSIONS

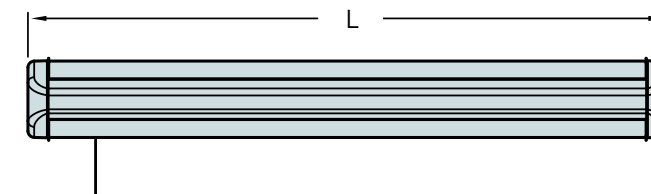
SIDE VIEW



BACK VIEW

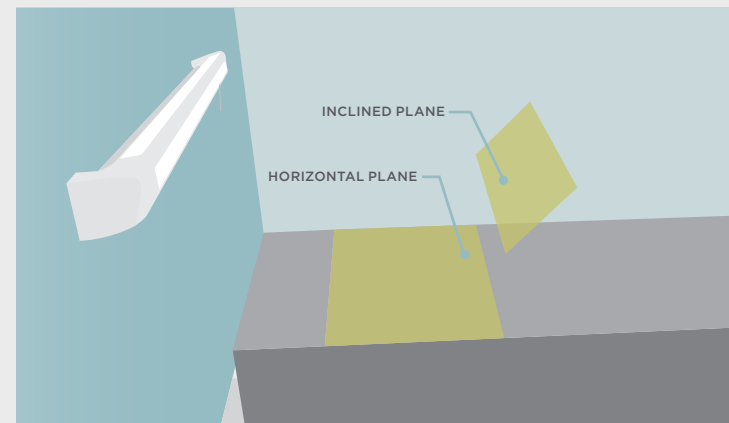


FRONT VIEW



	L	L1	L2	L3
EBL2	27.47" (697.7mm)	2.75" (69.6mm)	12.23" (310.6mm)	-
EBL3	38.50" (977.9mm)	2.75" (69.85mm)	13.25" (336.55mm)	17.74" (450.6mm)
EBL4	49.76" (1263.9mm)	2.75" (69.9mm)	16" (406.4mm)	23.38" (593.9mm)

APPLICATION STUDIES



30	33	34	34	33	31	32	34	35	36	36	35	34	32	
37	40	42	42	40	37	37	39	41	42	42	41	41	39	36
46	50	52	52	49	46	42	44	46	47	48	47	46	45	41
55	60	63	62	60	55									
65	72	75	75	72	65									

**READING ILLUMINATION
 INCLINED PLANE (1'x3')**
 Avg: 39.9 fc

**READING ILLUMINATION
 HORIZONTAL PLANE (2'x3')**
 Avg: 50.3 fc

16	26	25	30		30	25	20	16			
18	21	24	24		23	24	21	17			
18	21	25	24		24	25	21	17			
16	20	23	22		22	23	20	17			
15	18	20	19		19	20	18	15			
14	15	17	16		16	17	15	14			
12	13	15	14		13	15	13	12			
10	12	12	11		11	13	12	10			
8.9	10	11	9.8		9.8	11	10	9.2			
8.0	8.7	9.4	8.6	5.2	4.2	4.4	5.5	8.7	9.4	8.8	8.1
7.1	7.7	8.3	7.8	5.4	5.2	5.0	5.6	7.4	8.2	7.9	7.1
6.3	7.1	7.6	6.7	5.3	5.0	4.7	5.5	6.6	7.2	7.0	6.9

AMBIENT ILLUMINATION

Avg: 13.7 fc

Room Size	12' x 12'
Ceiling Height	8'-6"
Luminaire Height	Centered 6'-2" AFF
Bed Height	2'-6" AFF
Room Reflectances	80/50/20

ORDERING GUIDE

MODEL	LENGTH	COLOR TEMP	FINISH	VOLTAGE	OPTIONS
EBL Evexia Bed Light	2 2" (27.47") 3 3" (38.50") 4 4" (49.76")	30K 3000K 35K 3500K 40K 4000K 50K 5000K	WH White AL Aluminum TP Taupe CC ¹ Custom Color	U Universal (120-277V) 120 120V 277V 277V	NW^{2 3} Night light white (3000K) NA^{2 3} Night light amber (590nm) NWS^{2 3 4} Night light white (3000K) with 3-way momentary switches located at both ends of the luminaire NAS^{2 3 4} Night light amber (590nm) with 3-way momentary switches located at both ends of the luminaire P4L^{2 5} 4-Pole Pull Switch (mounted to the left as facing the luminaire) P4R^{2 5} 4-Pole Pull Switch (mounted to the right as facing the luminaire) P1L^{2 5} 1-Pole Pull Switch for control of the lower compartment (mounted to the left side as facing the luminaire) P1R^{2 5} 1-Pole Pull Switch for control of the lower compartment (mounted to the right side as facing the luminaire) LVC1^{3 6 7} Low Voltage Controller for individual control of the reading function LVC2^{3 6 7} Low Voltage Controller for individual or sequential control of two (2) independent functions. Refer to LVC Selection Chart on product spec sheet to complete option code. (Ex. LVC21, LVC22) LVC3^{3 7 8} Low Voltage Controller for individual control of three (3) functions or sequential control of two (2) functions and individual control of one (1) function. Refer to LVC Selection Chart on product spec sheet to complete option code. (Ex. LVC31, LVC32) LVCDSM^{3 7 8} Low Voltage Controller for up to three (3) functions with one (1) or two (2) functions having 0-10v dimming and the remaining function(s) being controlled independently. Refer to LVC Selection Chart on product spec sheet to complete option code. (Ex. LVCDSM4)
OPTIONS (CONTINUED)					
BSS^{2 3 9}	Bed Safety Switch				
ELL14¹⁰	Emergency battery pack				
GMF	Slow blow fuse				
RIF	Radio interference frequency filter				
TR	Tamper-resistant hardware				

¹ Customer to provide RAL number or color chip to match. Additional set-up charges will be applied to the order.
² 120V models only.
³ Not available for EBL2 model.
⁴ Not available with LVC22, LVC23, LVC31, LVC32 and LVCDSM1-2 options.
⁵ Supplied with 5' plastic, antimicrobial white pull cord.
⁶ Not available with Universal voltage (U). Select 120V or 277V.
⁷ Not available with Pull Switch options (P4L, P4R, P1L, P1R).
⁸ Confirm that the facility's nurse call system supports (3) dry-contact connections for lighting when the intent is to control (3) different lighting functions.
⁹ The Bed Safety Switch (BSS) helps limit damage to luminaire by disconnecting power to motorized patient bed when luminaire is moved.
¹⁰ Available for EBL4 model only.

EXAMPLE: EBL4-4OK-WH-120-LVC1-GMF

Current

Current - HLI Brands

701 Millennium Blvd.
Greenville, SC 29607

currentlighting.com/lifeshield

© 2022 HLI Solutions, Inc. All rights reserved. Information and specifications subject to change without notice. All values are design or typical values when measured under laboratory conditions.

Rev 10/26/22

LS_EBL_Brochure_R01
