



NiteWay™
LED Night Light

NITEWAY



NiteWay™ reduces the risks of navigating a dark space by providing low glare, even illumination at the floor plane. The optical design, aesthetically pleasing design and durable construction makes NiteWay suitable for a wide variety of applications including healthcare, commercial, hospitality and residential.

OTHER APPLICATIONS

CORRIDORS



HOTEL GUEST ROOMS



AUDITORIUM CIRCULATION



TASK SURFACES





DESIGN

- Simple faceplate form provides an architectural look
- Designed to reduce risk of ligature, hiding of contraband, and general damage to the luminaire
- Available in either a vertical or horizontal design to fit the application
- Low profile integrates into any space
- Three standard antimicrobial finish colors with custom available upon request

PERFORMANCE

- The optical solution reduces glare and provides smooth illumination at the floor plane
- Available with either white (3000K) or amber (590nm) LED source
- Optional integrated photocell control ensures that lighting is there when needed while saving energy when it is not

INSTALLATION

- NiteWay can be mounted to a standard single-gang electrical box
- With no wires attached to the faceplate, installation is simple and quick
- Rated for Wet Location and 120–277V applications
- Optional tamper-resistant hardware provided
- Adjustable thru-wall mounting box available as an option

OPERATION

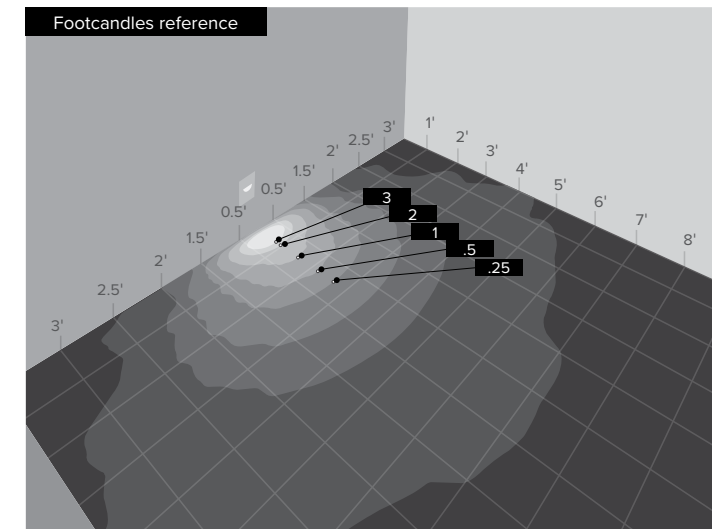
- Suitable for 120–277V applications
- Consumes < 2 watts of power

MAINTENANCE

- Smooth faceplate and flush lens simplifies cleaning
- Die cast aluminum faceplate and polycarbonate lens provide years of durable service

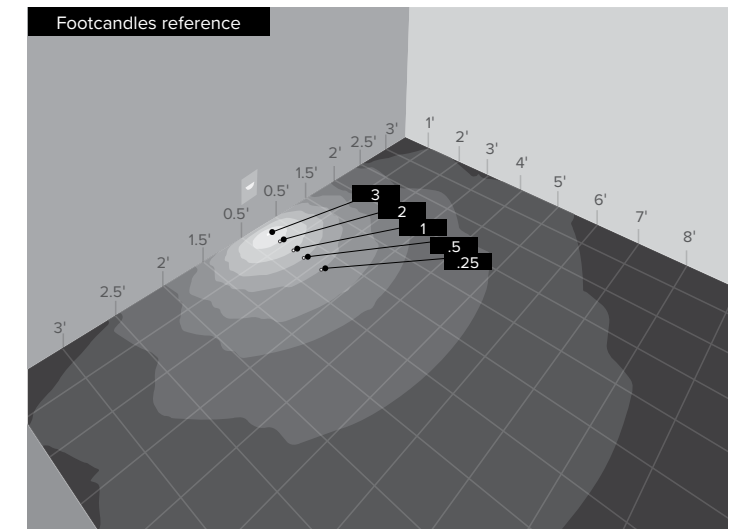
APPLICATION STUDIES

WHITE LED



NITeway WITH WHITE LED CENTERED 16" ABOVE FINISHED FLOOR

AMBER



NITeway WITH AMBER LED CENTERED 16" ABOVE FINISHED FLOOR

PHOTOMETRY

TEST #17.02151 TEST DATE 8/9/17

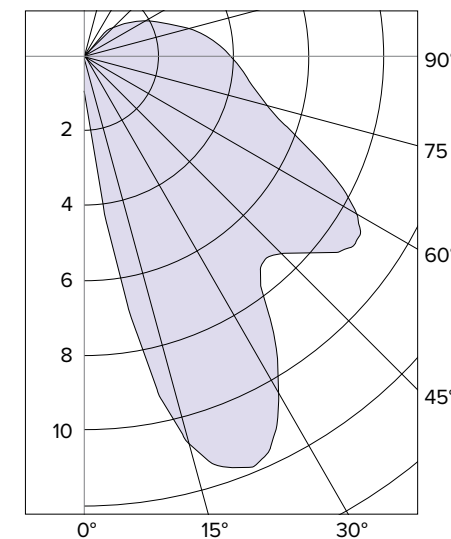
NW-H-1-WH

Report No.	1.02151
Lamp	2 - Nichia 3000K LEDs
Source CCT	3000K
Fixture Lumens	18.3
Watts	1.9 W
Efficacy	9.6 Lm/W

ZONAL LUMEN SUMMARY

Zone	Lumens	% Fixt.
0-30	3.0	16.5
0-40	5.3	29.0
0-60	9.8	53.8
0-90	15.3	83.6
90-120	2.4	13.3
90-130	2.8	15.2
90-150	3.0	16.4
90-180	3.0	16.4
0-180	18.3	100.0

INDOOR CANDELA PLOT



TEST #17.02127 TEST DATE 8/2/17

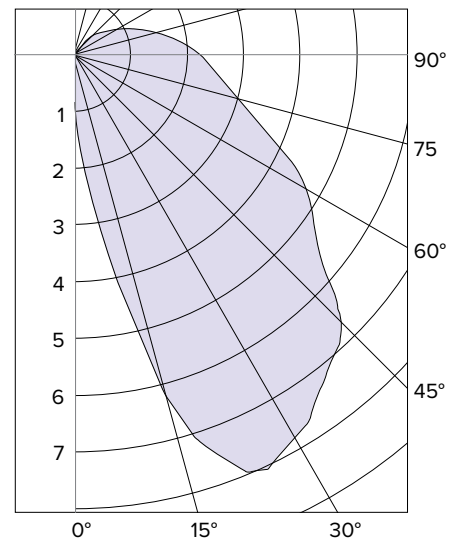
NW-H-2-WH

Report No.	1.02127
Lamp	2 - Lumileds 590K LEDs
Source CCT	Amber (590 nm)
Fixture Lumens	11.9
Watts	1.8 W
Efficacy	6.6 Lm/W

ZONAL LUMEN SUMMARY

Zone	Lumens	% Fixt.
0-30	1.90	15.9
0-40	3.60	30.2
0-60	7.21	60.4
0-90	10.48	87.8
90-120	1.23	10.3
90-130	1.41	11.8
90-150	1.46	12.2
90-180	1.46	12.2
0-180	11.93	100.0

INDOOR CANDELA PLOT

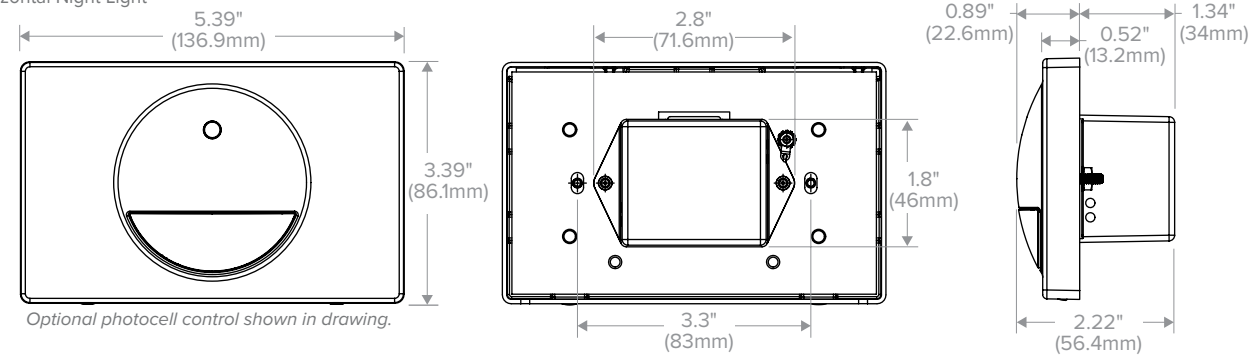


DIMENSIONS

Optional photocell control shown in drawing.

NWH

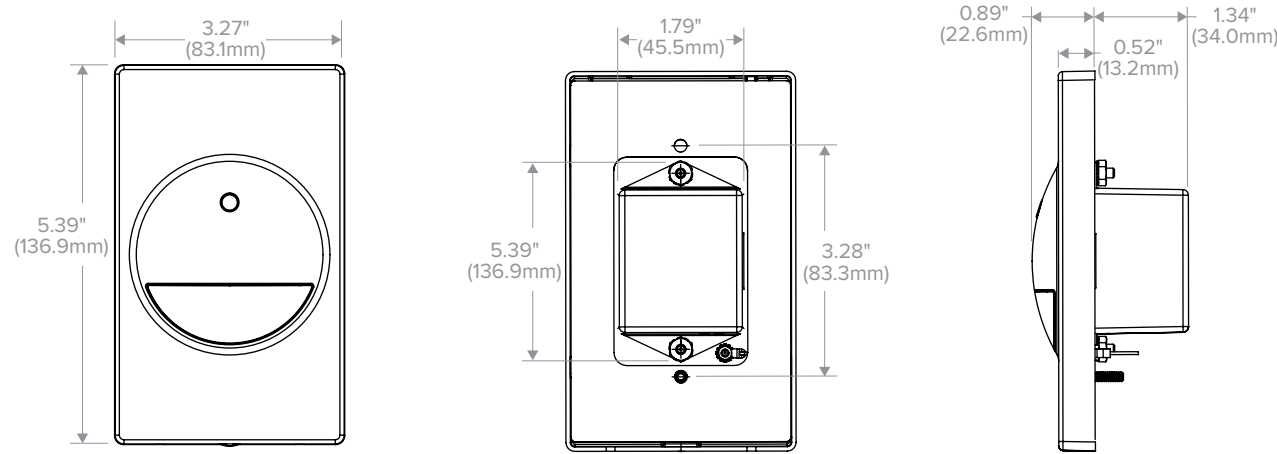
NiteWay Horizontal Night Light



Optional photocell control shown in drawing.

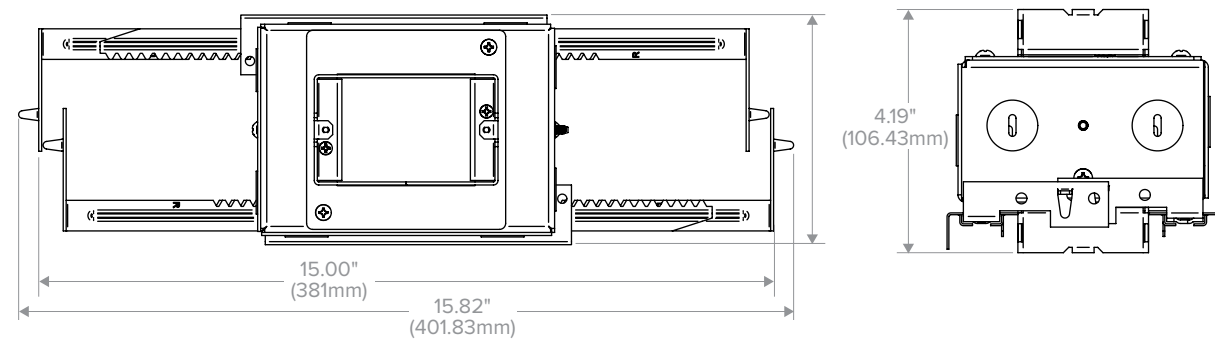
NVH

NiteWay Vertical Night Light



Optional photocell control shown in drawing.

THRU WALL BOX



ORDERING GUIDE

EXAMPLE: NW-H-1-WH-PC

MODEL	ORIENTATION	COLOR TEMP	FINISH	OPTIONS	ACCESSORIES
NW NiteWay Night Light	H Horizontal V Vertical	1 White (3000K) 2 Amber (590nm)	WH White BLK Black AL Aluminum CC Custom Color ¹	PC Photocell Control ²	TWB Thru Wall Box (4¼"-6" walls) ³

¹ Customer to provide RAL number or color chip to match. Additional set-up charges will be applied to the order.

² The photocell is factory set to switch Off at 10 fc (± 2.5 fc) of ambient light and switch On when the light level is below 5 fc (± 2.5 fc). The sensitivity of the photocell is not field adjustable, and performance can vary depending on room finishes, mounting location and surrounding objects.

³ Refer to TWB installation instructions for the dimensions of the TWB accessory.

COORDINATED SOLUTIONS

NiteWay's appearance, finishes and performance compliments other Healthcare Solutions luminaires to provide a unified patient room solution.

MEDIMODE™

- Architectural appearance suited for today's room designs
- Provides the ambient, reading and examination functions for the patient bed environment
- Meets the recommended guidelines for illumination and uniformity
- Integrated low voltage controller interfaces with standard pillow switches for patient control
- Optional full-lensed door qualifies for IP65 and UL Sanitation ratings



Behavioral MediMode also available

REMEDE™



- A unique bed light solution in every way
- Remedi can provide ambient, reading and examination functions without the need to physically rotate any portion of the luminaire
- Meets the recommended guidelines for illumination and uniformity
- Full-length, indirect night solution
- Variety of switching options to fit the facility requirements

EVEXIA™

- Evexia combines appearance, performance and durability to meet the requirements for patient rooms and examination spaces
- Uniform illuminated lens appearance
- As with all Healthcare Solutions luminaires, Evexia has a standard antimicrobial finish to inhibit the growth of microbes
- The 3-step process shortens initial installation as well as simplifying servicing



Current 

Current - HLI Brands

701 Millennium Blvd.
Greenville, SC 29607

currentlighting.com/lifeshield

© 2022 HLI Solutions, Inc. All rights reserved. Information and specifications subject to change without notice. All values are design or typical values when measured under laboratory conditions.

(Rev 10/26/2022)

LS_NW_Brochure_R01
