

LITEFRAME[®]

2.0

4" & 6"
ROUNDS &
SQUARES



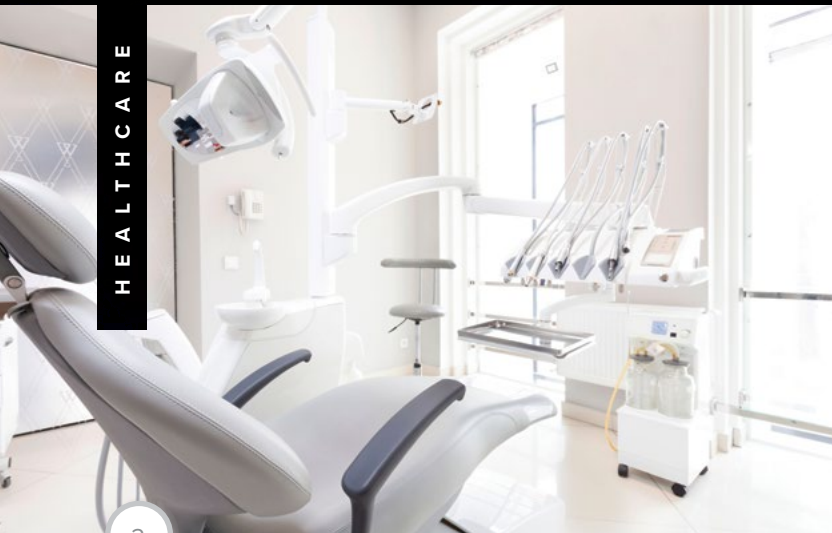
RETAIL



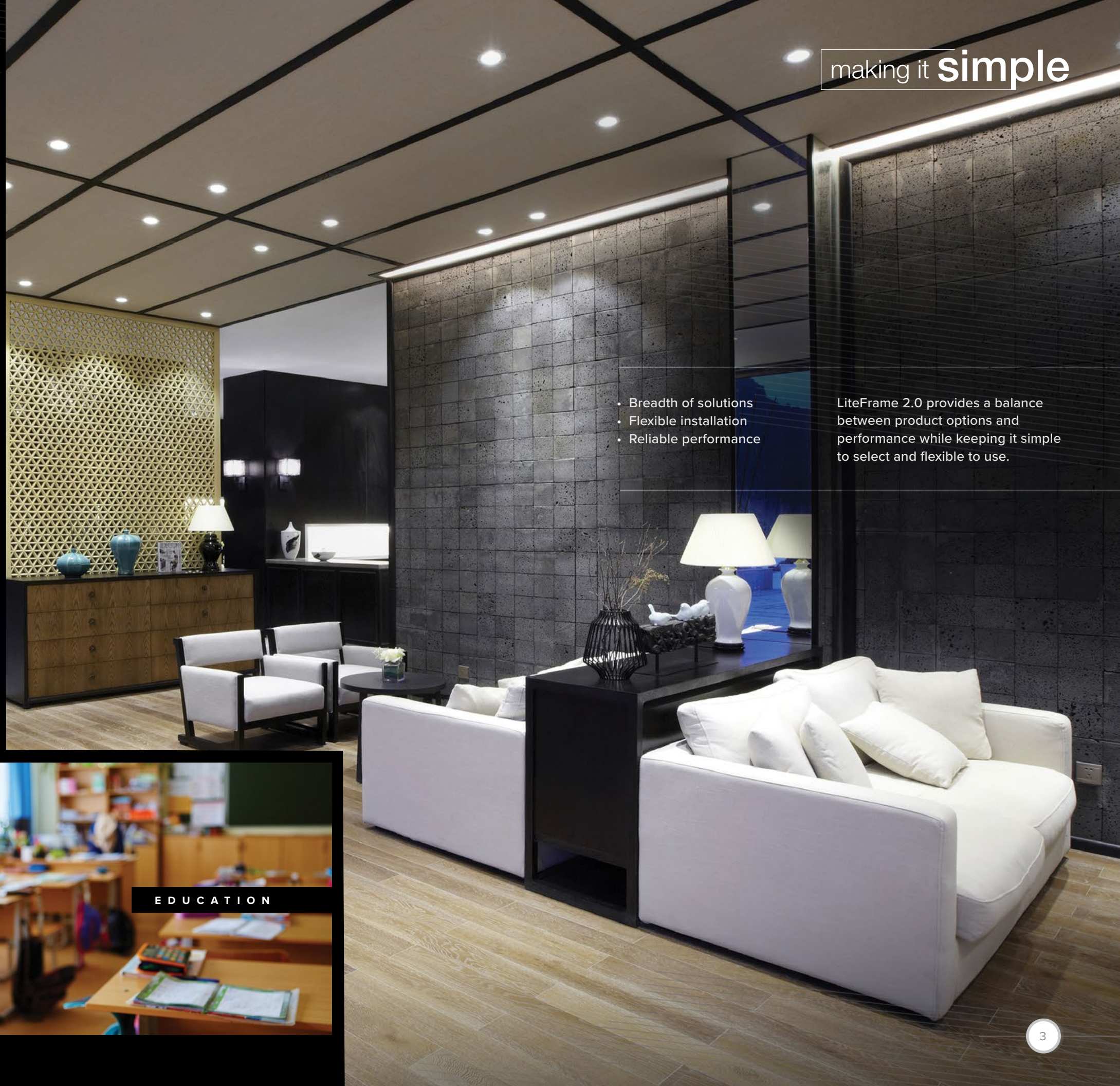
OFFICE



HEALTHCARE

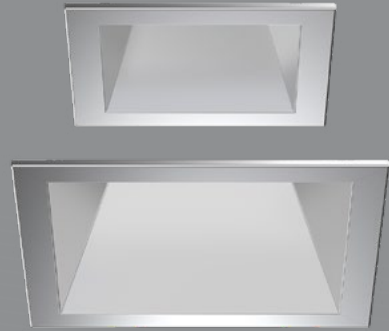


EDUCATION



- Breadth of solutions
- Flexible installation
- Reliable performance

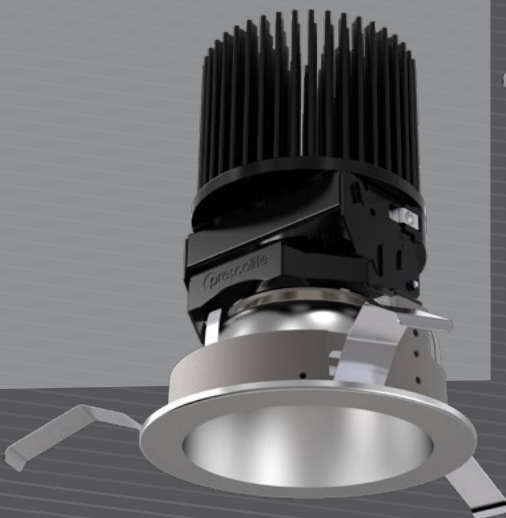
LiteFrame 2.0 provides a balance between product options and performance while keeping it simple to select and flexible to use.



4" and 6"
Square



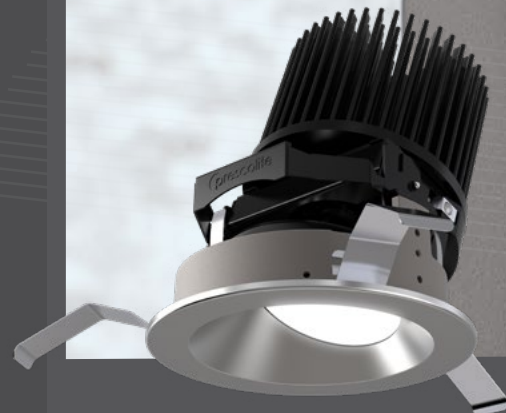
4" and 6"
Round



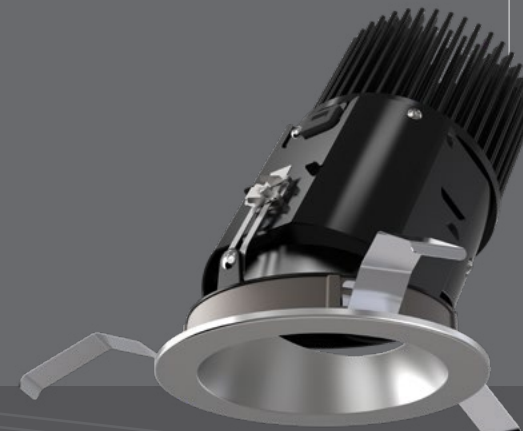
Downlight



Shallow Downlight



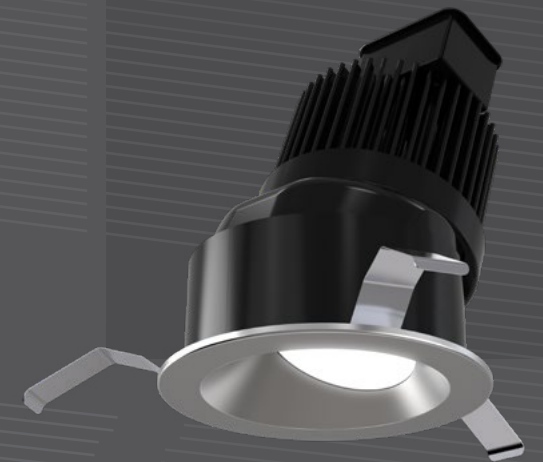
Lensed Wall Wash



Adjustable



Chicago Plenum
Downlight



Chicago Plenum
Lensed Wall Wash

BREADTH OF SOLUTIONS

Options to address varied
application needs

- 4" / 6" round and square aperture luminaires with anodized reflectors
- Consistent optical and LED performance
- Multiple beam distributions to accommodate fixture spacing and mounting heights.

in its
simplest
form



INSTALL FLEXIBILITY

LiteFrame 2.0 is structured to simplify selection and installation while providing options for use.

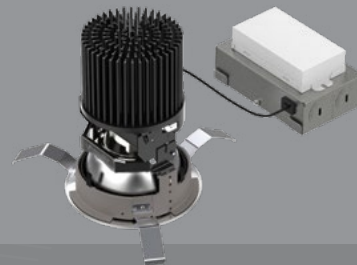
making it **simple**

to specify and install

- Every solution can be direct install — eliminating the need for a plaster frame or housing.
- Plaster frames and housings are available if a more traditional method of installation is preferred.
- Driver J-Box includes snap-on feature making installation fast and easy.

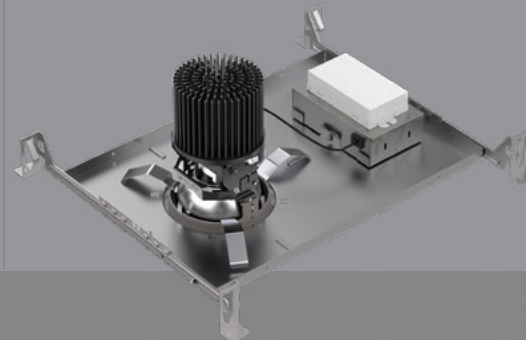
DIRECT INSTALL

The easiest solution for installing in Non-IC new construction or remodel applications.



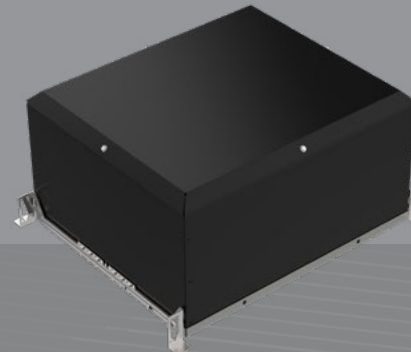
TRADITIONAL NON-IC

The Non-IC plaster frame provides rough-in positioning. The Fixture Module's snap-on J-Box assembly can be installed with the frame or afterwards as part of the Fixture Module install.



IC CONSTRUCTION

The IC housing provides separation of ceiling insulation from the Fixture Module.



CHICAGO PLENUM

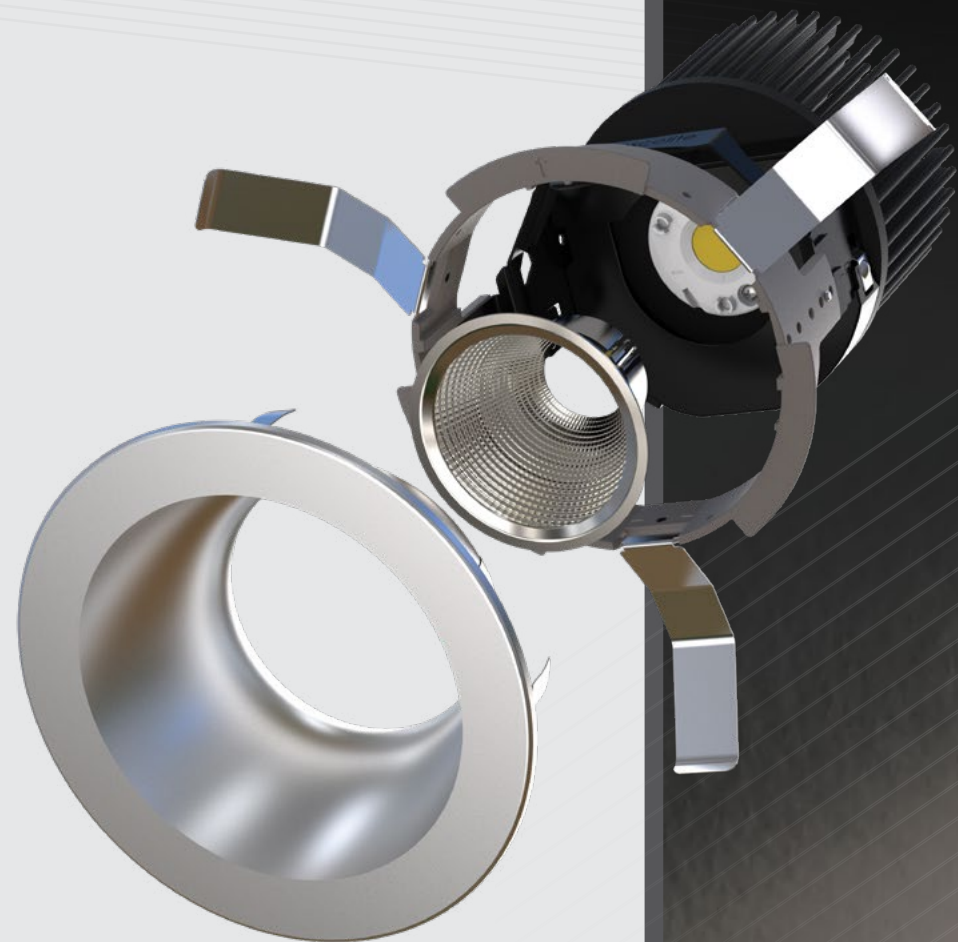
An integrated shroud seals the Fixture Module for use in Chicago Plenum ceilings eliminating the need for a full housing. Can be used as a Direct Install or with the Non-IC plaster frame. *(Adjustable Downlights require the full housing for these applications.)*



OPTICAL

PERFORMANCE

- Delivered lumen outputs up to 8000 lumens with good cutoff and glare control.
- Unitized optical design ensures consistent positioning of the optic to the ceiling plane.
- Downlight efficacy > 120 LPW.



DELIVERED LUMENS



DOWNLIGHT PERFORMANCE DATA

		VERY NARROW (VNR)	NARROW (NR)	MEDIUM (MD)	WIDE (WD)	EXTRA WIDE (XW)
4" Round	Beam Angle	15°	26°	34°	49°	66°
	Spacing Criteria	0.3	0.3	0.5	0.7	1.0
	Efficacy	127	130	127	126	121
6" Round	Beam Angle	16°	25°	38°	46°	63°
	Spacing Criteria	0.3	0.4	0.6	0.7	1.0
	Efficacy	141	141	139	131	138

Note: There are two optional lenses that can be used to modify the beam distribution.
 - SFL4 and SFL6 lens options provide a softening of the beam pattern
 - WAL4 and WAL6 lens options convert the XW distribution to a 77° distribution

2700K

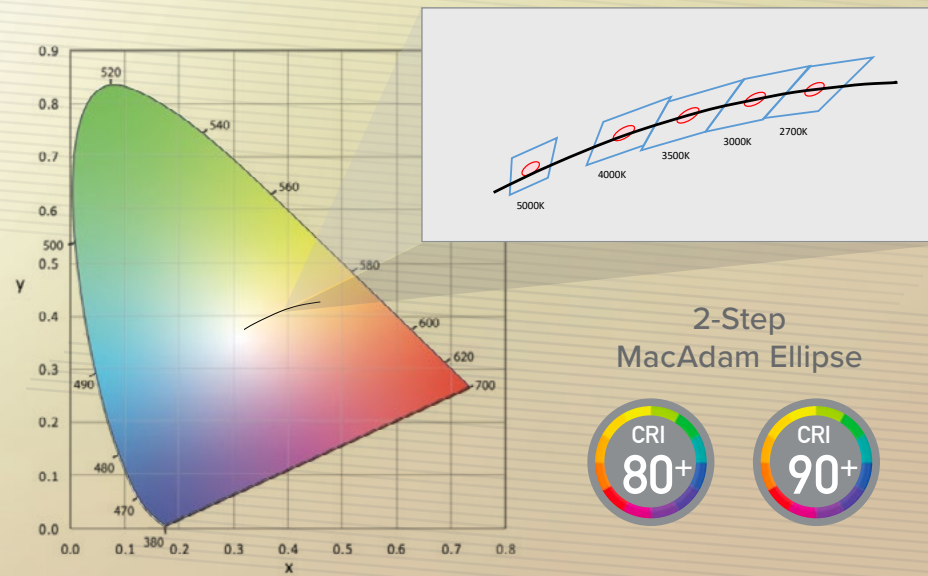
3000K

3500K

4000K

5000K

COLOR
PERFORMANCE



SPECTRASYN[™]
COLOR TUNING TECHNOLOGY

SpectraSync is an easy and intuitive white tuning solution offered in two modes to accommodate a variety of applications.



DIM TO WARM
2200K – 3000K



TUNABLE WHITE
2700K – 5000K
2700K – 6500K



2700K 3500K 4500K 5500K 6500K

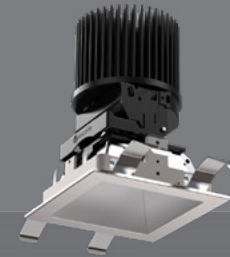
SpectraSync[™]
Color Tuning Technology



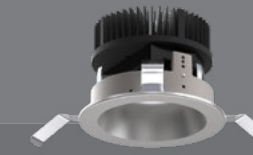
PRODUCT OFFERING

○ AVAILABLE IN ROUND & SQUARE

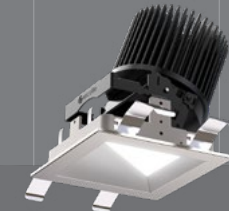
DOWNLIGHT



SHALLOW DOWNLIGHT



WALL WASH



ADJUSTABLE



Installation	Application		Non-IC/IC		Aperture	Non-IC					IC				Lens Wall Wash	Adjustable			
	New Construction	Remodel	Non-IC	IC		Very Narrow	Narrow	Medium	Wide	Extra Wide	Very Narrow	Narrow	Medium	Wide		Very Narrow	Narrow	Medium	Wide
Direct Install	○	○	○		4"	6000 lm max					3000 lm max				6000 lm max	6000 lm max			
					6"	8000 lm max					3000 lm max				8000 lm max	8000 lm max			
With Non-IC Frame LFR-__-H	○		○		4"	○	○	○	○	○	○	○	○	○	○	○	○	○	○
					6"	8000 lm max					3000 lm max				8000 lm max	8000 lm max			
With IC Housing LFR-__-H-IC	○		○	○	4"	○	○	○	○	○	○	○	○	○	○	○	○	○	○
					6"	4000 lm max					3000 lm max				4000 lm max	4000 lm max			
Direct Install Chicago Plenum Shroud (-CP)	○	○	○		4"	○	○	○	○	○	○	○	○	○	○				
					6"	8000 lm max					3000 lm max				8000 lm max				
With Chicago Plenum Housing LFR-__-H-CP	○		○		4"											○	○	○	○
					6"											4000 lm max			

REFLECTOR

Finish/Colors



Clear Specular
S



Clear Semi-Specular
SS



White Painted
WC



White Flange
WT



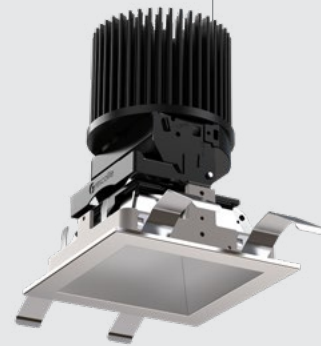
Black Flange
BT

Maximum Delivered Lumen values are nominal for DM1 driver. Output may vary with driver selection and other configuration options. See Specification Sheets for complete details.

DOWNLIGHTS

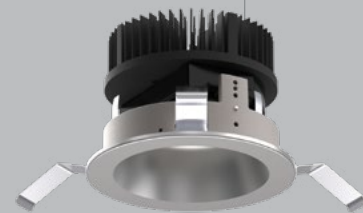
- Provides general illumination while minimizing aperture brightness.
- Multiple beam distributions allow fixture spacing based on ceiling heights and desired illumination levels.
- Open and regressed lensed trim options.

Family	Aperture Size	Shape	Function
LFR			
	4 4" Aperture	R Round	D Downlight
	6 6" Aperture	SQ Square	



- Provides general illumination while minimizing overall fixture height.
- Ideal solution when plenum space is limited.
- Like the Downlight, multiple beam distributions are available.

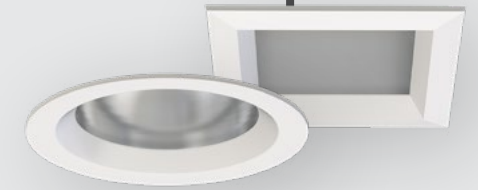
Family	Aperture Size	Shape	Function
LFR			
	4 4" Aperture	R Round	DS Shallow Downlight
	6 6" Aperture	SQ Square	



LENSED TRIM OPTIONS



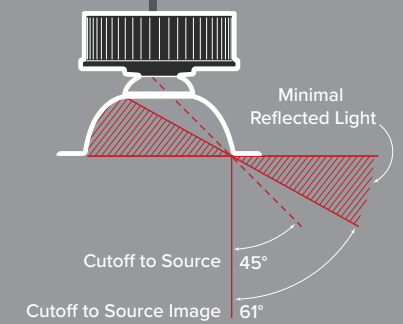
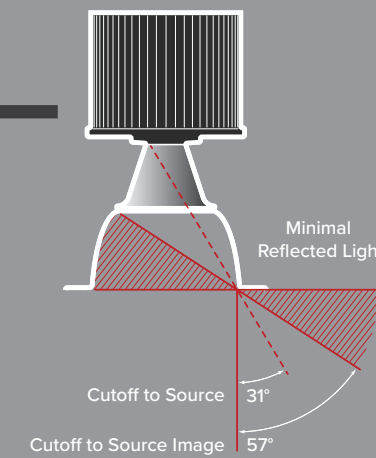
Regressed Lensed Trim
(CL Option)



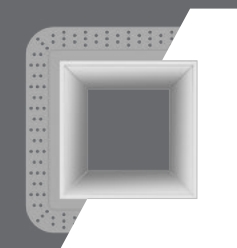
Non-Conductive Shower Trim
(SH Option)



VISUAL CUTOFF



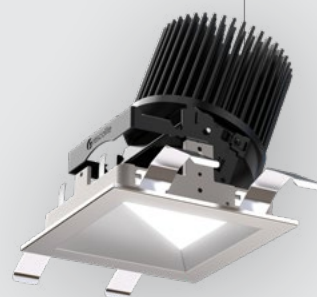
MUD-IN RINGS FOR FLUSH MOUNT FLANGE



LENSED WALL WASH

- Provides general illumination of vertical surfaces.
- Enhances spatial feel of the environment.
- Suitable for wet locations under covered ceilings.

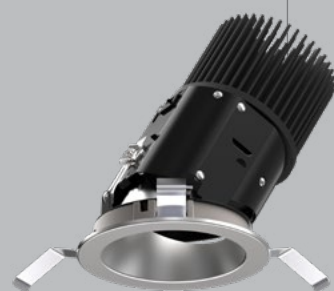
Family	Aperture Size	Shape	Function
LFR			
	4 4" Aperture	R Round	W Lensed Wall Wash
	6 6" Aperture	SQ Square	



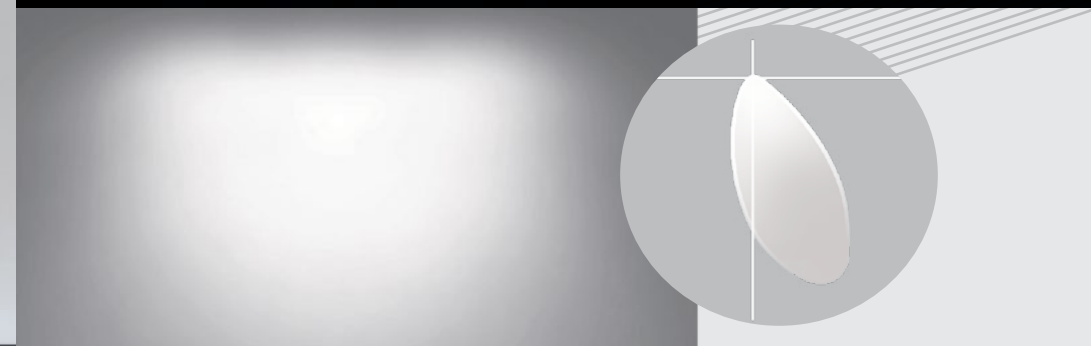
ADJUSTABLE

- Flexible accent lighting to create visual interest.
- Up to 40° vertical and 362° horizontal adjustment.
- Multiple beam distributions.

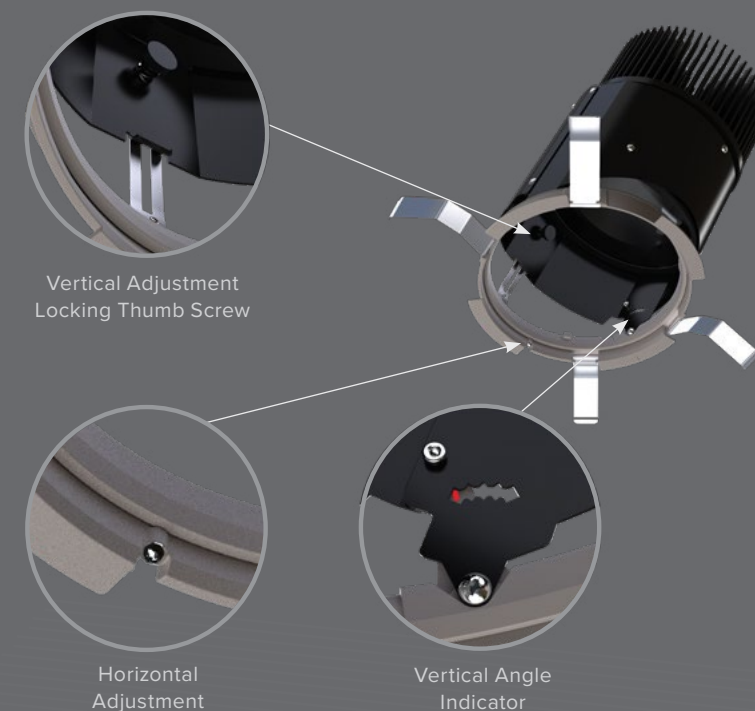
Family	Aperture Size	Shape	Function
LFR			
	4 4" Aperture	R Round	A Adjustable
	6 6" Aperture	SQ Square	



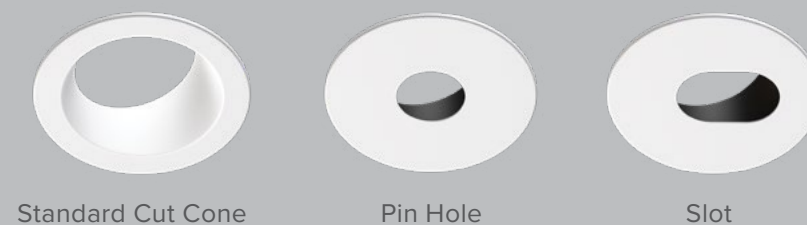
WALL WASH DISTRIBUTION



PRECISION ADJUSTMENT



ADJUSTABLE TRIM STYLES



EMERGENCY OPTIONS

Integral Emergency (EM)

Battery pack and test switch with indicator light integrally mounted to plaster frame



All emergency housing options and accessories provide path of egress lighting for a minimum of 90 minutes and are UL 924 compliant.

ACCESSORIES

LPS Series
Micro-Inverter
20VA/ 55VA

Use with multiple standard
LiteFrame 2.0 fixtures from 20W



Litegear
Central Inverters
125A/ 250VA

Ideal for larger applications and
load from 110W through 220W.



Contact your local Current representative for any assistance with proper sizing and loading of your inverter selection.

Remote Emergency (EMR)

Battery pack mounts to plaster frame or housing. Remote test switch plate/indicator light assembly can be mounted up to 50 ft. away.

Device Transfer Switch (DTS)

Control relay device mounts to J-box and connects auxiliary generator or inverter. Senses loss of normal power and bypasses switch position and dimmer settings to provide full lumen output under emergency power. DTS listed to UL 1008 Transfer Switch Standard.

DIMMING

LiteFrame 2.0 offers a wide variety of protocol options for smooth, continuous dimming and hassle-free system compatibility.



Dimming	Level	Option
0-10V	1%	DM1
	<1%	DM01
DALI	1%	DALI
DMX	<0.1%	DMX
Lutron HiLume EcoSystem	1%	EDM
Triac/ELV	5%	PDM
SpectraSync Dim To Warm	1%	DMTW
SpectraSync Tunable White	1%	DMT



CONTROL OPTIONS

NX LIGHTING CONTROLS

LiteFrame 2.0 NX wired or wireless luminaire-integrated control options allow easy connection to other intelligent devices within NX Lighting Controls platform for nearly unlimited control possibilities.



See NX Brochures and Solution Guides for additional details.

FAMILY OVERVIEW

APERTURE / SHAPE	4" Round / Square 6" Round / Square
FUNCTION	Downlight Shallow Downlight Lensed Wall Wash Adjustable
APPLICATIONS	New Construction Remodel
DELIVERED LUMENS (Nominal)	1000 1500 2000 2500 3000 3500 4000 5000 6000 7000 8000
BEAM DISTRIBUTIONS	Very Narrow 15/16° Narrow 26/25° Medium 34/38° Wide 49/46° Extra Wide 66/63°
COLOR TEMPERATURE	2700K 3000K 3500K 4000K 5000K
	SpectraSync Dim to Warm SpectraSync Tunable White
COLOR RENDERING	80+ CRI 90+ CRI
COLOR CONSISTENCY	2-Step MacAdam Ellipse (2 SDCM)
DIMMING PROTOCOLS	0-10V Triac/ELV DALI DMX Lutron EcoSystem
CONTROLS	NX Lighting Controls
INPUT VOLTAGE	120-277V 347V
EMERGENCY OPTIONS	Integral (EM) Remote (EMR) Device Transfer Switch
LENS OPTIONS (Downlight)	Clear Lens Wide Angle Lens Soft Focus Lens Non-Conductive Shower (IP65)
REFLECTOR FINISH / COLORS	Specular Semi-Specular White Painted Cone & Flange
FLANGE OPTIONS	Standard (matches finish) White Black
ENVIRONMENTAL	Damp: Standard Downlights Adjustables
	Wet: Lensed Wall Wash Downlights with CL Lensed or Shower (SH) Trim
CERTIFICATIONS	cCSAus UL1598 IC Rated (IC) Chicago Plenum (CP) UL 924 (EM/EMR) IP65
PROJECTED LIFE (TM-21)	L80 > 50,000 hours
WARRANTY	5-year warranty



Need it Quick?

See a complete list of LiteFrame 2.0 stock items ready to ship at currentlighting.com/prescolite.



HLI Solutions, Inc

701 Millennium Blvd.
Greenville, SC 29607

currentlighting.com/prescolite

© 2022 HLI Solutions, Inc. All rights reserved. Information and specifications subject to change without notice. All values are design or typical values when measured under laboratory conditions.

Rev 11/01/22

PRE_LiteFrame2_Brochure_R02

PRE18000135
