

CONVENIENCE STORE & PETROLEUM LIGHTING SOLUTIONS

Design • Purchase • Installation Support



TABLE OF CONTENTS

- Canopy Solutions....6-9
- Car Wash.....10
- Exterior.....12-16
- Interior.....17-22
- Life Safety.....23-25
- Controls.....26-27

Whiteway is more than lighting fixtures. We provide you support from design, through purchase, delivery and installation. Our experienced team understands the unique challenges of convenience store and petroleum spaces. When you need lighting and control solutions, **think Whiteway blue!**



DESIGN:

From the layout to the installation, Whiteway is your committed partner. Our qualified team provides free lighting layouts or use one of our online layout tools - Quick Calc or LitePro DLX.

PURCHASE:

Our team can also conduct a project audit and perform and return on investment (ROI) analysis. Our Cash Flow Positive program can help you get financing It's as easy as filling out a one page credit application.

INSTALLATION SUPPORT:

With in stock and quick-ship service programs, luminaires arrive when you need them. Our turn-key installation support teams are available to meet your construction deadlines.

FROM A PETROLEUM NAME YOU CAN TRUST, BACKED BY A TIME-TESTED LIGHTING INDUSTRY LEADER

Since 1956, Whiteway has been a leader in illuminating the petroleum and convenience store market. Throughout the years, our portfolio of lighting solutions transitioned to the latest in LED and controls technology. LED luminaires offer long life, low maintenance and energy efficient operation Coupled with standard or dynamic controls, today's luminaires deliver more than illumination.

With a strong legacy of delivering lighting solutions for the convenience store and petroleum market, Whiteway brings together a collection of lighting brands to illuminate from the pumps to the cashier. Our innovative award-winning lighting fixtures and control solutions feature color changing options, integrated controls and convenience features like switchable lumen and color temperature (CCT) technology.

A WHITEWAY

Award-winning innovative canopy lighting fixtures offering to illuminate the pump stations.

B

Full portfolio of commercial security lighting solutions or elevate the exterior with architectural lighting fixtures with dynamic color control options.

C

Comprehensive offering of linear and downlighting solutions to accommodate ambient, task and lighting needs within the store's specialty.

D

Keep guests safe in case of emergency with our full line of architectural and commercial Life Safety solutions.

E

Durable fixtures to withstand the demands of a car wash.

FEATURED OPTIONS

One of Whiteway's strength is the breadth of solutions from complementary brands. This allows you to complete the job with Whiteway and increase the value of your lighting system with additional functionality. Today's lighting systems offer more than long-lasting illumination. For features like onboard camera and disinfection for peace of mind for the owner and guests as well as enterprise control systems look for the logo.



NX Lighting Controls™ platform delivers a seamless lighting control solution for exterior and interior applications.

For more information see page 26



LightGRID+ Wireless Outdoor Lighting Control System offers a suite of software to manage, monitor, and meter your wireless outdoor lighting network.

For more information see page 26



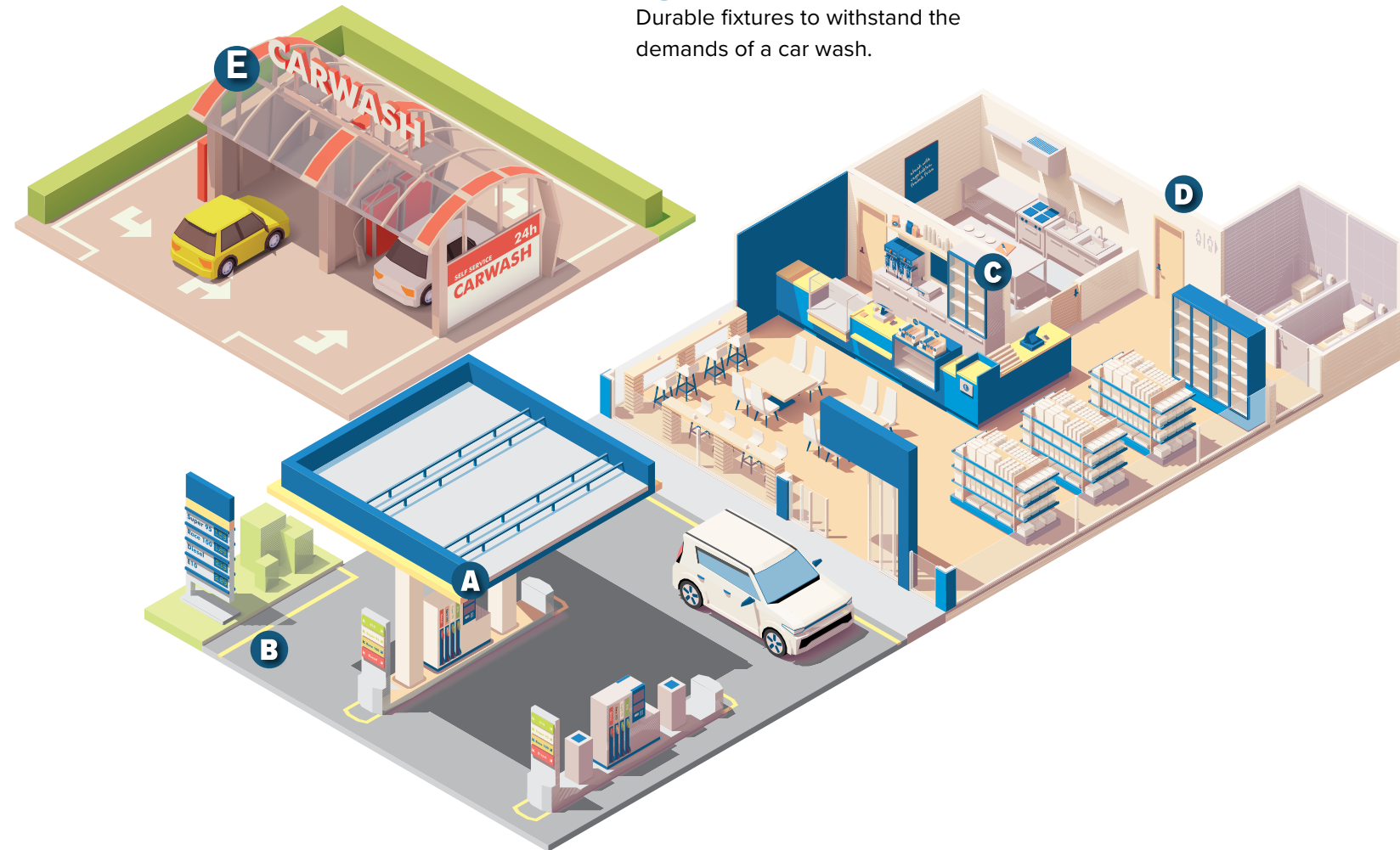
Switchable fixtures offer field adjustability of lumen output, color temperature or both—lumen and CCT



Enhance your space with RGBW color control enabled lighting fixtures controlled by a simple Bluetooth® app or more complex DMX systems



Control your space based on the needs of the application, specific activities throughout the day and guest preferences with SpectraSync™ Color Tuning Technology. For more information see page 18





Edge-Lit Petroleum Gas Canopy

- Edge-Lit technology for even illumination
- Low profile 2.1" depth design virtually disappears into the canopy
- IP66 rating to keep water and insects out
- Universal retrofit solution for recessed, pendant or surface mounted with 3/4" conduit
- Cast Aluminum with integral heat sink to maintain optimal thermal performance for long LED life
- DLC® (DesignLights Consortium Qualified), with some Premium Qualified configurations. Please refer to the DLC website for specific product qualifications at www.designlights.org

SAFETY AND SECURITY

Quality lighting provides a sense of security for your customers, resulting in an increase in traffic at your business. Good lighting is a significant deterrent against vandalism and other crimes that transpire where lighting is dim or insufficient during the evening and night hours.

EDGE-LIT TECHNOLOGY

Edge-Lit technology delivers the most efficient LED-based edge lighting to date. The components combine laser-cut optics and high brightness LEDs in a thin construction. This provides exceptional output while spreading light uniformly, reducing the number of LEDs required while precisely extracting light for optimal performance.

Laser cut light guides enable outstanding back light performance, and can reduce the high cost, thickness, and power consumption associated with traditional direct back lighting methods that use an LED array under the display.

ORDERING GUIDE

Example: VSH-85-5K7-UNV-WHG

CATALOG #

VSH					
Series	Wattage	Color Temp	Voltage	Options	
VSH Vanish	30	4K7	UNV Universal	WHG	Petroleum White
	55	5K7	347 347V	DBS	Petroleum Dark Bronze
	85		480 480V	DBT	Dark Bronze Matte Textured
	140				

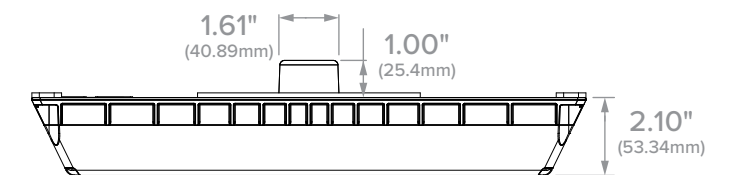
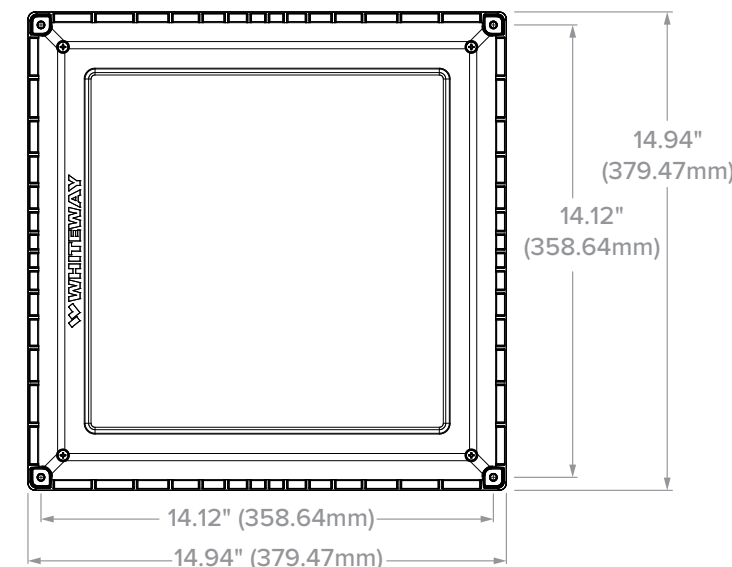
STOCK ORDERING INFORMATION

Catalog Number	Stock Number	Wattage	Lumens	Distribution	CCT/CRI	Finish
VSH-85-5K7	93133024	85W	9069	UNV	5000K/70CRI	Petroleum White
VSH-140-5K7	93139554	140W	20196	UNV	5000K/70CRI	Petroleum White
VSH-85-5K7	93158003	85W	9069	UNV	5000K/70CRI	Dark Bronze Textured
VSH-140-5K7	93139555	140W	20196	UNV	5000K/70CRI	Dark Bronze Textured



DIMENSIONS

KEY DATA	
Lumen Range	4500—20,000
Wattage Range	30—140 Watt
Efficacy Range (LPW)	138—157
Reported Life (Hours)	60,000
Weight	11 lbs. (4.99 kg)



GALASY II



Lumen and Color Switchable Petroleum Gas Canopy

- Versatile, budget-friendly canopy lighting solution
- Switchable option allows for fewer SKU's to inventory
- Lumen Switchable GSY-150 with 100, 130 and 150 Watts
- CCT Switchable 4000K and 5000K
- Voltage Range of 120 to 347
- PIR motion sensor available as an accessory
- Low glare, even illumination and no pixilation for outstanding illumination
- High efficacy up to 157 LPW for maximum energy savings
- Universal retrofit solution for HID replacements for various sizes
- IP66 rating to keep water and insects out



EASY SERVICEABILITY

The Galasy II is designed for easy installation and maintenance, now lumen and CCT switchable with an option for a field installable motion sensor. The driver compartment can be accessed from below, thereby simplifying replacement if needed.

Featuring 3/4" conduit connection for wiring and/or pendant mounting. The fixture is mounted to the ceiling panel with 4 screws. It has external dimming leads, so there is no need to open the fixture for connection.

Luminaire service door located and accessible without removing the fixture.



LOW ENERGY COSTS, LOW MAINTENANCE

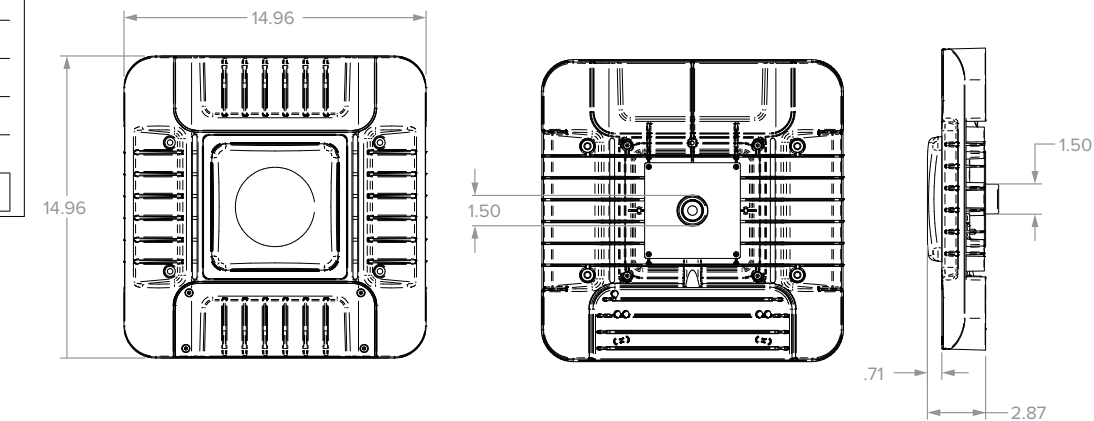
WhiteWay LED Lighting provides a significant cost savings over traditional HID Lighting. With power savings up to 79% and virtually no maintenance cost your savings can be spent on other facets of your business. The addition of a motion sensor can provide additional energy savings. Our 5 Year limited warranty will provide you with peace of mind, knowing that WhiteWay products have been around for decades and are built to last.

STOCK ORDERING

Catalog Logic	Finish	Wattage Range	Color Temp	CRI	Delivered Lumens	Lm/W	Distribution Type	Voltage
GSY-150-LSCS-UNVC	White	100-150 Watts	4000K, 5000K	70	15,000-22,000	152-157	V	120-347
GSY-150-LSCS-UNVC-DBT	Dark Bronze Textured	100-150 Watts	4000K, 5000K	70	15,000-22,000	152-157	V	120-347

KEY DATA	
Lumen Range	15,500—22,700
Wattage Range	100—150 Watts
Efficacy Range (LPW)	154—157
Reported Life (Hours)	≥60,000
Weight	10 lbs. (4.53 kg)
Carton	12 lbs. (5.44 kg)

DIMENSIONS



NEW CONSTRUCTION OR RETROFIT, WHITEWAY'S CANOPY LUMINAIRES PERFECT FOR ALL APPLICATIONS

Retrofitting your current fixtures has never been easier. WhiteWay offers a complete one-for-one LED solution for every application in a convenience store achieving an updated and aesthetically pleasing appearance for customers and store owners. By utilizing highly efficient LED fixtures, you will see immediate energy savings when replacing HID fixtures.

<p>93133177 Stem and Junction Box Kit</p>	<p>93133148 Retrofit Cover plate for LSI Encore 15" square-replacement for 10" opening</p>
<p>93133151 Universal HID retrofit kit Fits square surface mounted retrofit kit for: any square HID housing between 21" & 23" square</p>	<p>93133149 26" Decorative Beauty Plate for Canopy Retrofits</p>

In addition to lighting your canopy and your gas pumps, Whiteway offers a great selection of outdoor and indoor fixtures for car washes. This will extend the savings to other facets of your business while providing quality illumination to your customers.



CVT

Linear Vaportite

- Switchable Lumen technology:
 - 5000/6000/7000 (4' size)
 - 8500/10,000/12,000 (8' size)
- Switchable CCT: 3500K/4000K/5000K
- IP65 rated
- Durable polycarbonate housing and ribbed frosted polycarbonate lens design for optimal illumination and high impact durability



LXEM

Medium Enclosed & Gasketed Luminaire

- 2', 4' and 8' luminaires are IP65, IP67 and IP66 rated with standard polyacetal (POM) latches
- NEMA 4X housing and when ordered with polycarbonate housing is IK10 rated
- Latches are provided tamper resistance ready, tamper resistant screws by others



LXEW

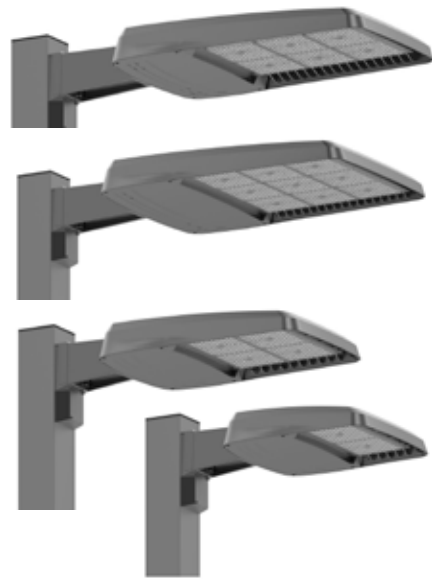
Wide Enclosed & Gasketed Vaportite

- IP65, IP66 and IP67 rated 4' luminaire with 1500 PSI High Pressure Hose down rating
- IK10 rated when ordered with polycarbonate lens
- Housing has chemical resistant finish



Exterior Lighting provides comprehensive and coordinated solutions for a variety of exterior applications. A full line of architectural and commercial light fixtures are available with complementing shapes and styles that is proportionally scale and add balance to the outdoor environment. Quality construction and industry leading performance complete the package. Control options featuring photocontrols, occupancy controls, SiteSync™ and NX Lighting Controls™ enable optimum energy savings and customization.

AREA/SITE – FLOODS



VIPER - AREA/SITE

4 Sizes

- Ultimate embodiment of sophistication in contemporary outdoor illumination
- First angled housing capable of IES distributions with no up-light for fully shielded glare free illumination
- Configurable as a pole mount, integral pole mount with 1-4 fixtures as well as staggered twins

LIGHT GRID+ NX LIGHTING CONTROLS™



RATIO

High Performance Area Site Light

- Featuring Micro Strike Optics which maximizes target zone illumination with minimal losses at the house-side, reducing light trespass issues
- Scalable housing sizes ranging from 3,000 lumens to 60,000 lumens.
- Matching rectilinear form to Ratio Flood and Ratio Wall products

LIGHT GRID+ NX LIGHTING CONTROLS™

AREA/SITE – FLOODS



SLING SGS SITE

Compact Sleek Design Featuring Switchable Wattage and CCT

- Compact sleek design with multiple lumen output configurations and simple installation
- Field switchable lumens (13,000 - 23,000)
- Field switchable CCT (3000K, 4000K, 5000K)
- Ships with Type 3, Type 4, and Type 5 optics, which can easily be changed in the field
- Mounting options include Arm for Round or Square Pole and Knuckle Slipfitter. Wall mountable with optional accessory



VIPER FLOODS

4 Sizes Viper Floodlight Family

- Extremely versatile flood luminaire which blends design, performance and technology and offers a variety of NEMA distributions
- Mounting options include: Adjustable Arm, Knuckle, Trunnion, Wall
- Distribution options include: 2x2, 3x3, 4x4, 5x5, 6x6, 6x4, 4x6
- Control options including photo control, occupancy sensing, NX Lighting Controls, Wiscape and 7-Pin with networked controls

LIGHT GRID+ NX LIGHTING CONTROLS™

RATIO

Low Profile Floodlight Family

- Robust design with no aiming limitations and multiple mounting options
- Scalable housing sizes ranging from 3,000 lumens to 60,000 lumens
- Features a dense optical array which provides reduced pixelation and increased visual comfort without compromising performance



LIGHT GRID+ NX LIGHTING CONTROLS™

SLING SGF FLOODS

Low Profile Floodlight Family

- Low profile housing with trunnion and knuckle mounting options
- Field switchable wattage and color temperature (3000K, 4000K, 5000K)
- Available in twelve wattages ranging from 20W to 320W
- Three housing sizes for scalability in the field
- 7x7 wide flood distribution



WALL MOUNT



VIPER WALL

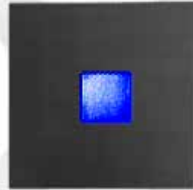
Low profile wall mount luminaires in three forms, designed to match the Viper family of products

- Three sizes LED wall luminaires with a variety of IES distributions for lighting applications such as retail, commercial and industrial building mount
- Featuring Strike and Micro Strike Optics which maximizes target zone illumination with minimal losses at the house-side, reducing light trespass issues
- Control options including occupancy, NX Integrated Controls and photo control
- Quick-mount adapter allows easy installation/maintenance
- 347V and 480V versions for industrial applications and Canada



CYPHER

Sconce



- Infinitely configurable and establishes a new standard for wall sconce aesthetics and performance
- Fascia panels are available in stainless steel, copper, or custom materials, and dozens of paint finishes to match any architectural style.
- Using RGBW Remote App, the luminous front can match a custom color, making it easy to change color as the mood dictates or adhere to strict brand standards



SLING WALL PACK

Compact Wallpacks



- Slender wallpack/floodlight available in two sizes for a variety of applications
- Comfort lens available as an option or accessory provides glare control and enhanced uniformity
- Four 1/2" threaded conduit hubs for surface conduit

WGH

CCT and Wattage Switchable Wallpacks

- Available in 3 sizes - WGH1 20-50 Watts, WGH2 30-70 Watts, WGH3 80-120 Watts
- WGH1 is lumen switchable, WGH2 & WGH3 are lumen and CCT switchable high efficacies up to 152 lumens per watt



TETRA CONTOUR



TETRA® CONTOUR

Tetra® Contour Gen 2 is a flexible LED light that can be easily formed to fit a wide variety of designs and applications.

- Flexible light engine can be custom cut to length
 - Rigid light guide can be heat formed into custom shapes
 - Light engine and guides can be mix-&-matched for unique color options
 - Durable and impact-resistant
 - Contains no lead, mercury or glass
 - Appearance of exposed neon with up to 40% efficiency gains
 - Long rated life of 50,000 hours
- add the ability to bring conduit directly into the housing

POLES



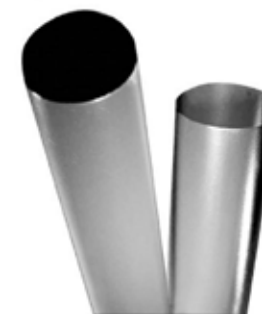
SSS POLES

Square Straight Steel Poles

- SHAFT: One-piece straight steel with square cross section, flat sides and minimum 0.238" radius on all corners
- BASE COVER: Two-piece square aluminum base cover included standard
- POLE CAP: Pole shaft supplied with removable cover when applicable
- HAND HOLE: Rectangular 3x5 steel hand hole frame (2.38" x 4.38" opening)
- ANCHOR BOLTS: Four galvanized anchor bolts provided per pole with minimum yield of 55,000 psi (ASTM F1554). Galvanized hardware with two washers and two nuts per bolt for leveling
- 10-Day Quick Ship Program

RSS POLES

Round Straight Steel Poles



- SHAFT: One-piece straight steel with round cross section, Minimum yield of 46,000 psi (ASTM-A500, Grade C)
- Steel base plate with axial bolt circle slots welded flush to pole shaft having minimum yield of 36,000 psi (ASTM A36)
- BASE COVER: Two-piece square aluminum base cover included standard
- POLE CAP: Pole shaft supplied with removable cover when applicable
- HAND HOLE: Rectangular 3x5 steel hand hole frame (2.38" x 4.38" opening)
- ANCHOR BOLTS: Four galvanized anchor bolts provided per pole with minimum yield of 55,000 psi (ASTM F1554). Galvanized hardware with two washers and two nuts per bolt for leveling



PAVILION

Bollard

- Optional features include integral NEMA 3R enclosure, 2-Gang recessed box, and Bluetooth® RGBW accent
- Highly configurable with 168 different combinations of the optic, top cap, grills and louvers
- Pavilion delivers IES distribution types with no glare at normal viewing angles. The No Up-light, Clear Horizontal Lens and Clear Vertical Lens configurations are optimized for LED technology



IMPACT PAVILION

Impact Bollard

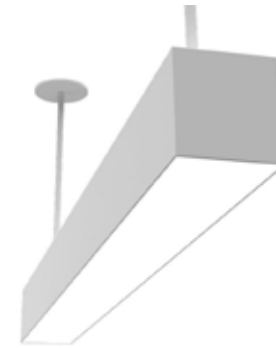
- Designed to protect pedestrians and property from the impact of errant or passing vehicles and are ASTM F3016 S20 rated (American Society for Testing and Materials)
- Optional features include integral NEMA 3R enclosure, 2-Gang recessed box, and Bluetooth RGBW accent are just a few of the industry first features of Pavilion
- 44" OAH S20 Impact Rated Illuminated and Non-Illuminated Bollards



SGB SLING

SGB Sling Round and Square Bollards

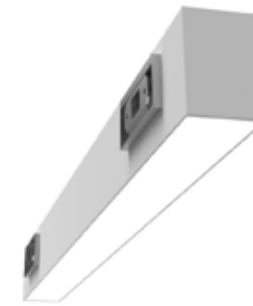
- Round and Square Bollard design, up to 2500 lumens
- Switchable wattage (12W, 16W, 22W) and CCT (3K, 4K, 5K)
- Rugged die-cast aluminum housing
- Low glare acrylic lens for uniform distribution
- tradeSELECT stocked in RDC's for fast delivery



LITECONTROL MODW

4" Wet Location Pendant Direct 4W-P-D

- Variable Intensity technology provides a range of specifiable outputs and resulting fixture wattages
- 2 SDCM color consistency
- Welded end cap design creates seamless housing appearance
- Current's patented TriGain® phosphor delivers 90 CRI color quality at 80 CRI efficacy.



LITECONTROL MODW

MODw™ 3" Wet Location Wall Direct 3W-W-D

- Variable Intensity technology provides a range of specifiable outputs and resulting fixture wattages
- 2 SDCM color consistency
- Welded end cap design creates seamless housing appearance
- Current's patented TriGain® phosphor delivers 90 CRI color quality at 80 CRI efficacy.



LITECONTROL MODW

4" Wet Location Recessed Direct 4W-R-D

- Variable Intensity technology provides a range of specifiable outputs and resulting fixture wattages
- 2 SDCM color consistency
- Welded end cap design creates seamless housing appearance
- Current's patented TriGain® phosphor delivers 90 CRI color quality at 80 CRI efficacy.



LITECONTROL MODW

MODw™ 4" Wet Location Surface Direct 4W-S-D

- Variable Intensity technology provides a range of specifiable outputs and resulting fixture wattages
- 2 SDCM color consistency
- Welded end cap design creates seamless housing appearance
- Current's patented TriGain® phosphor delivers 90 CRI color quality at 80 CRI efficacy.



Welcome your guests into a well-lit interior. Our portfolio offers linear, high and low bays as well as downlighting to provide ambient and task illumination. Light fixtures are available in various lumen packages to account for different ceiling heights and color temperatures to realistically represent items for sale. Individual and networked control and security options are available on interior light fixtures.



COLOR TUNING TECHNOLOGY

Control your space based on the needs of the application, specific activities throughout the day and preferences of the occupants with three distinct SpectraSync™ Color Tuning Technologies – Dim-to-Warm, Tunable White or Scheduled White. SpectraSync™ technology operates on standard 0-10V dimming protocols with presets and scheduling for simplified configuration and commissioning.



SAVVANO™ Decorative High Bay

- Three reflectors, available in 16" and 22"
- Four bottom lenses, available in 16" and 22"
- Up to 123 Lumens per Watt five lumen levels from a low of 8,000 lumens to a max of 28,000 lumens



CRN2 CCT and Wattage Switchable High Bay

- Suitable for a variety of areas including retail sales floor, covered outdoor areas, and mezzanines
- Available with polycarbonate refractor, drop lens, or aluminum reflector for customized retail appearance
- Thermally separated electronic and LED heat sink design enables long, trouble free operation

LINEAR – RECESSED



CBT Back-lit Troffer

- Switchable Lumen technology: 4400/3300/2750 lumens (1x4 and 2x2) 5500/4400/3300 lumens (2x4)
- Switchable CCT technology: 3500/4000/5000K (2x4)
- Acrylic micro-optics over each LED provide edge-to-edge illumination



CLT Center Lens Troffer

- Switchable Lumen Technology
- Switchable CCT Technology
- 80+ CRI
- 0-10V 1% Dim to Off driver (standard) provides superior dimming capabilities
- 120-347V, standard
- 5-Wire flex and EM battery pack options available
- Up to 157 lumens per watt



TCAT The TCAT twin contemporary architectural fixture blends flat and contoured geometrics

- Twin lens configuration
- High efficiency acrylic lenses have a custom formulation for high performance without pixelation
- Optional architecturally styled integration of daylight and occupancy sensor(s)
- Appropriate for offices, schools, medical, and public spaces



WRAPAROUND



CNW Narrow Wrap

- For use in a wide range of surface mount and wall applications
- Switchable Lumen Technology: 3000/3500/4000 lumens, switchable CCT Technology: 3500/4000/5000K
- Up to 123 lumens per watt, 0-10V dimming to 10%



CRW Round Wrap

- Switchable Lumen technology: 3900/4800/5500 lumens, switchable CCT technology: 3500/4000/5000K
- Up to 153 lumens per watt. 0-10V dimming to 10%
- For use in a wide range of surface mount and wall applications



STRIPLIGHTS



MPS MultiPurpose Linear

- Surface mount, wall mount or suspended
- Optional SpectraSync™ offers three modes of tunable white solutions and integrates seamlessly into a variety of control systems



CSL Striplight

- Surface mount on wall or ceiling
- Switchable Lumen technology: 4000/4800/5400 lumens
- Switchable CCT technology: 3500/4000/5000K



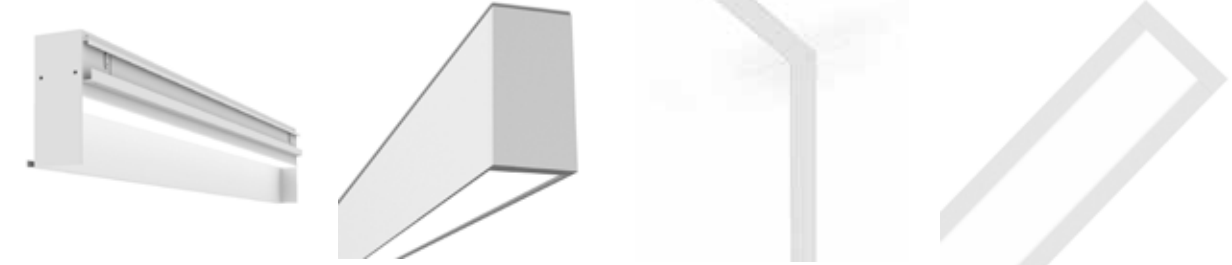
LINEAR SUSPENDED/RECESSED



LITECONTROL MODX™

The MODx™ family is an affordably-priced, full-featured offering with best-in-class attention to detail

- Featuring four aperture widths, a selection of mounting types, output distributions, lumen output, diffuser types along with dozens of features and options
- MOD™x family is the perfect solution to any space or environment
- Pendant, Wall, Surface, Recessed and Perimeter luminaires



LITECONTROL AIRA

Aira is an open center linear pendant, wall and sconce with on board technology and exceptional photometric performance

- Refined aesthetic with ability to see through the center of the luminaire provides scale without weight overhead
- Semi-Direct (25/75) distribution with extra wide direct and low peak indirect for wide fixture spacing and lighting power density maximization
- Integral driver, battery and control options for ease of contractor installation
- Complimentary luminous, open center system connectors (L, T, X) allow creation of patterns
- Housing and cross bar inserts are finished to specification to compliment the palette of your space



LITECONTROL BEND

Bend features a continuous blend of curves and straight runs, custom-tailored to each individual designer's needs

- 4" wide aperture, and multiple light distribution options
- Offers an ultra-thin aircraft cable mounting system, rigid stems and surface mounting, also a recessed option for varying types of ceiling materials
- 1250 lumens max Direct



DOWNLIGHTING



LITEBOX STANDARD

Canless Downlights

- 4", 6", and 8" Downlights
- Switchable lumen and CCT
- All fixtures have 0-10V dim-to-off



LITEBOX PRO

Canless Downlights

- 4" and 6" Downlights
- Switchable lumen, CCT and beam angle
- All fixtures have 0-10V dim-to-of



LITEISTRY™

Architectural Downlighting and Cylinders

- Consistent quiet aperture appearance across aperture sizes, lumen outputs and distributions
- Consistent beam distributions that deliver smooth, well-defined beam patterns
- The largest offering of reflector finishes and colors to further aid in blending the solution with the application



Whiteway features full line of life safety products from exit signs, emergency lights, emergency battery back ups and inverters. For your most common life safety needs, here are our popular exit signs and emergency lights with long life batteries and energy efficient LED.

EXIT SIGNS



CEL

Edge-Lit LED Emergency Exit

- LED lifecycle of more than 10 years
- Superior panel illumination with Red or Green letters
- Field installed directional arrow indicators with template
- Mirror divider on single and double-faced models
- AC or Emergency models with long-life Nickel Cadmium battery
- Dual-voltage 120/277 AC input
- Test switch and AC-On indicator
- Recessed or surface mount (canopy included for surface mount models)



CE

LED Emergency Exit

- LED lifecycle of more than 10 years
- Models available with field-selectable red/green text
- Includes Self-Test/Self-Diagnostic models
- Remote capacity or extended runtime option
- AC or Emergency models with long-life Nickel Cadmium battery
- Molded-in template and canopy included for quick installation
- UL 924 Damp Location Listed
- Dual voltage 120/277V AC, 60Hz input
- Test switch and AC-On indicator

COMBINATION EXIT/EMERGENCY LIGHTS



EVC

LED Emergency Light Exit sign

- Fully aimable, dual-racheting high output LED lamp-heads
- Models available with remote capacity, special wording, fire alarm panel, flasher module or audible flasher
- Remote capacity models have a minimum run-time of 120 minutes when no remotes are installed
- Accessories include EV indoor emergency unit, indoor and outdoor remotes and vandal resistant shield



CC

LED Combination Exit/Emergency Light

- LED lifecycle of more than 10 years
- Includes Self-Test/Self-Diagnostic models
- Remote Capacity (RC) models have a minimum runtime of 120 minutes when no remotes are installed
- Fully adjustable LED lamp-heads
- Molded-in template for quick installation
- UL924 Damp Location Listed
- Dual voltage 120/277V AC, 60Hz input
- Test switch and AC-On indicator
- Field Selectable Red or Green Faces

OUTDOOR EMERGENCY



CUW SERIES

Decorative LED AC/ Emergency Light

- LED lifecycle of more than 10 years
- Normally-on and emergency operation
- Fully sealed and gasketed design with durable die-cast aluminum housing
- Includes Self-Test/Self-Diagnostics and optional heater and photocell
- 100-300VAC input
- Long-life Nickel Cadmium Battery



CUSO SERIES

Slim LED Architectural Outdoor Emergency Light

- AC normally on and emergency
- Durable die-cast aluminum housing
- Includes photo-sensor and PIR sensor, Self-Test/Self-Diagnostics and optional heater
- Long life Nickel Cadmium Battery
- UL924 Wet Location Listed
- Dual-voltage 120/277V AC, 60Hz input
- DLC Listed

EMERGENCY LIGHTING



EVO



EV



EV4D



EV4R



EVHC



EVE



EVC



EVCHL

EV SERIES

Architectural Emergency Lighting

- Fully aimable, thermally controlled lamp-heads
- Ease of Installation and Maintenance
- Sophisticated LED Lamp-Head Design
- Sleek Architectural Styling
- Up to 83' spacing
- Optional damp, remote capacity and Spectron® self-test/self-diagnostics
- Longer lasting battery technology

LIFE SAFETY SYSTEM



ELSS

ELSS

Life Safety System

- Multiple capacity central battery units with specifically designed exits and emergency lighting fixtures
- Centralized battery greatly simplifies and reduces maintenance and battery replacement costs
- Specifically designed indoor, outdoor and industrial emergency remotes and normally on and emergency powered exits



ELIR



ELOR



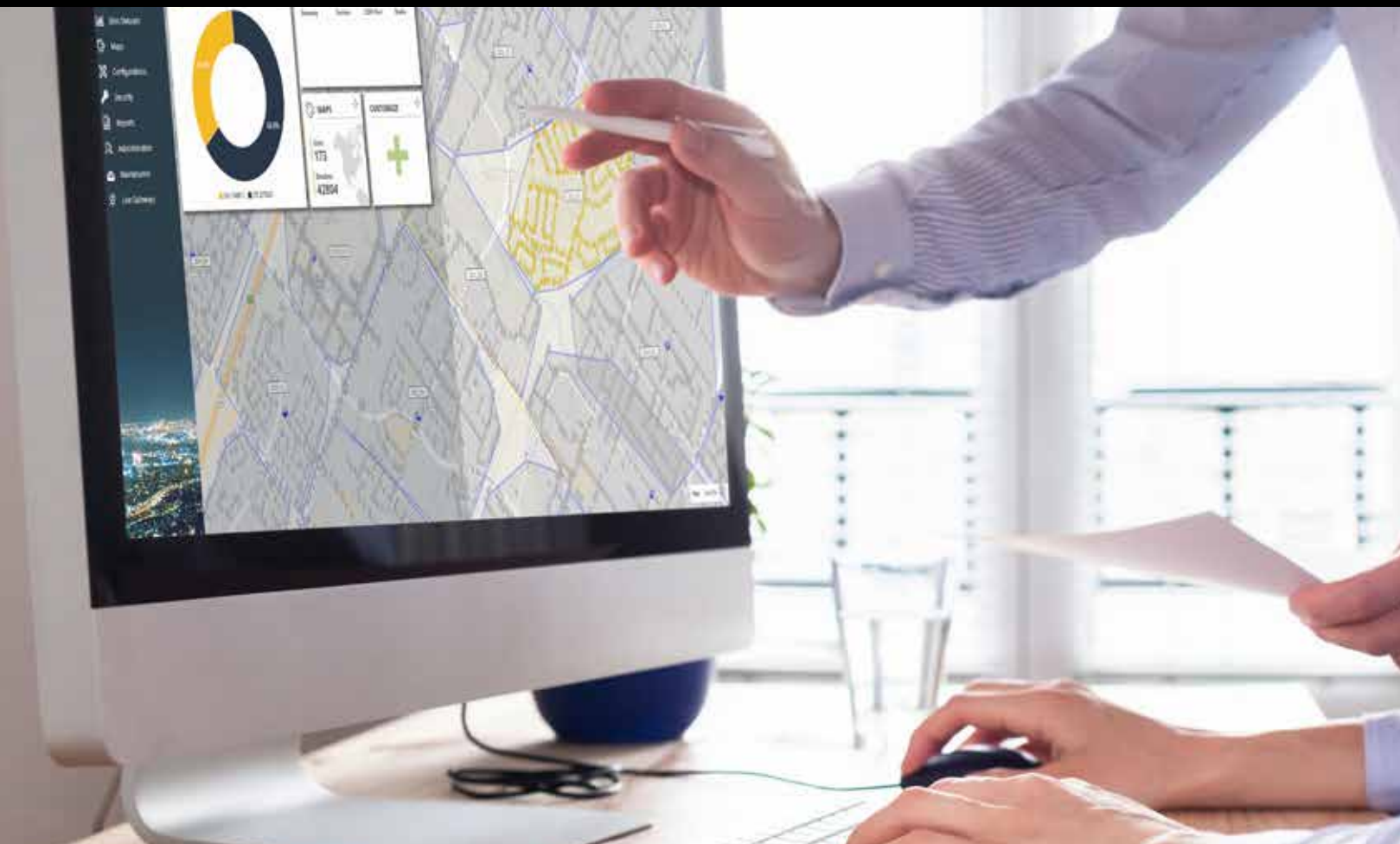
ELWR



EVE-DC



EVE4X-DC



NX LIGHTING CONTROLS



Intelligent Lighting Controls

NX Lighting Controls™ platform delivers a seamless lighting control solution for exterior and interior applications. NX is capable of scaling from standalone fixture and room control applications to networked facility deployments. NX operates using wired, wireless and hybrid connectivity with native BACnet™ support.

- Scalable lighting control platform for both indoor and outdoor applications
- NX Provides both wired and wireless solutions for in-fixture and room based control needs
- Easy to use programming through controlHUBB mobile app allow users to set schedules, presets and device settings

LIGHTING CONTROL PANELS



CX & NX PANELS

Standalone and Networked Lighting Control Panel Solutions

- The CX and NX Panels offer scalable and tailored solutions for petroleum applications
- The CX Family of Panels offers intuitive standalone lighting control solutions focused on value and energy savings
- The NXP2 Series of intelligent panels offer scalable networked lighting controls that interact seamlessly with networked NX room and in-fixture controls

STANDALONE SENSORS



STANDALONE SENSORS

Occupancy/Vacancy Sensors

- Broadest range of occupancy and vacancy sensors on the market that meet the latest codes and standards, including ASHRAE/IESNA 90.1 and CEC's Title 24
- Bluetooth® series of sensors offer simple ladder-less programming using the controlHUBB app
- Utilizing the embedded IntelliDAPT® technology, sensors analyze the controlled area to make automatic adjustments in both sensitivity and timing settings for optimal performance, energy savings and maintenance-free operations

CONTROL SYSTEMS



Using the Manage, Monitor and Measure concepts, the LightGRID+ wireless outdoor lighting control system builds on the energy and maintenance savings of an LED lighting installation by reducing money wasted on "lights out" calls, maintenance crew sweeps, as well as control strategies that exceed today's code requirements



CONTACT US TODAY!

customerservice@whiteway-ltg.com

The Bluetooth® word mark and logos are registered trademarks owned by Bluetooth SIG, Inc. and any use of such marks is under license. Other trademarks and trade names are those of their respective owners.

Current - HLI Brands

701 Millennium Blvd.
Greenville, SC 29607

currentlighting.com/Whiteway

© 2023 HLI Solutions, Inc. All rights reserved. Information and specifications subject to change without notice. All values are design or typical values when measured under laboratory conditions.

(Rev 02/23/26)

Petroleum C-Store Solutions Brochure_R03