

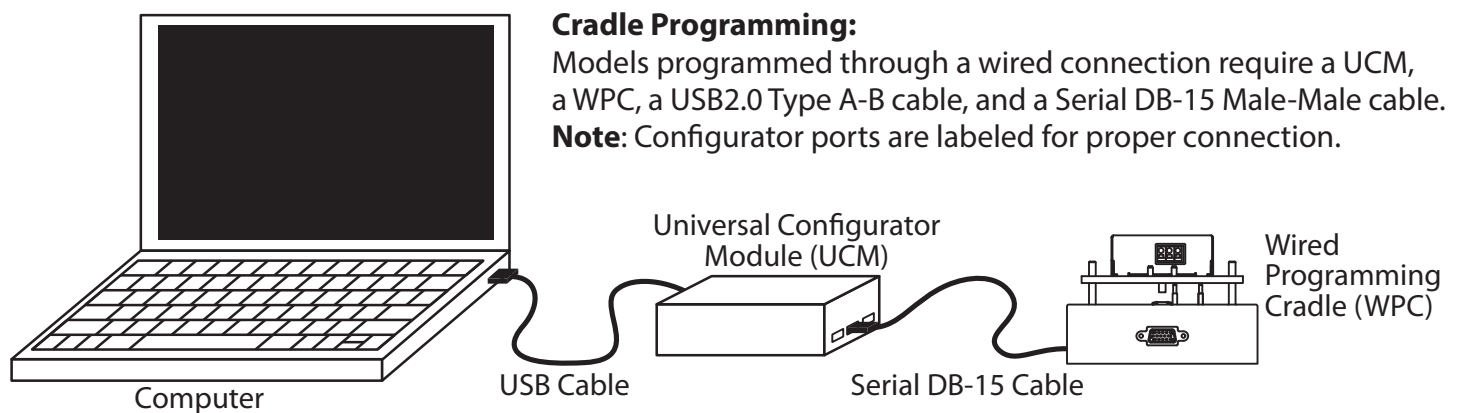
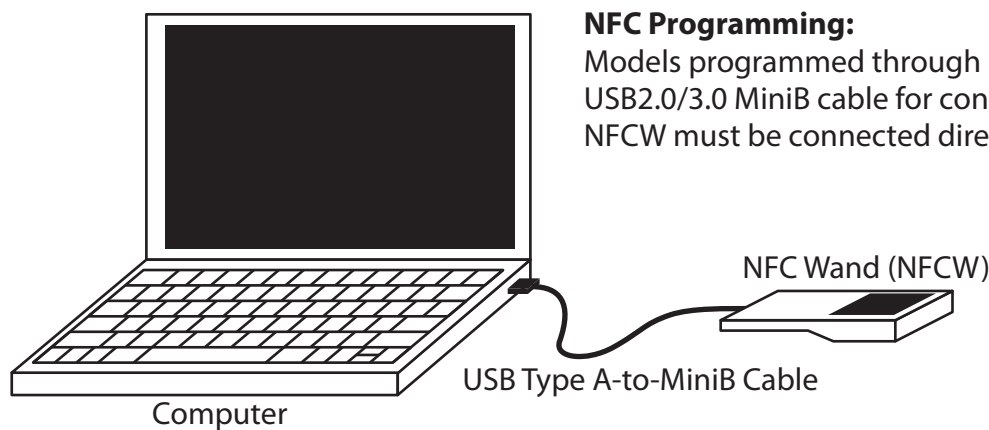
# Interconnecting Hardware Set-Up

Hardware set-ups vary depending on the type of SelectSYNC™ Drivers a customer works with. When programming *SelectSYNC* NFC Drivers, the Universal Configurator Module (UCM) is not required and the NFC Wand (NFCW) can be plugged directly into a PC. When working with *SelectSYNC* wire programmable Drivers, a UCM as well as the Wired Programming Cradle (WPC) are required. Optionally, the NFCW can be plugged into the UCM.

Typically when first connecting any new hardware to your PC, an installation message will occur for the various device drivers required for Windows to communicate with the new hardware being

connected. If clicked-on, the message shows some different device drivers that are identified, downloaded and connected within the new hardware system configuration. Device drivers are required for both the UCM and the NFCW.

**NOTE:** When connecting the hardware to a PC, please be sure to wait for all device drivers to load. Running the *SelectSYNC* programming software before all hardware device drivers are successfully installed could result in failure of the *SelectSYNC* software to operate correctly. For use with Microsoft Windows 7 or 10.



## Engaging Wired Driver Communications

1. Complete the connection of the WPC to the UCM through to the PC.
2. Two Red LEDs on either side of the push-panel on the WPC will remain on.
3. Open the *SelectSYNC* software.
4. Place a wired programming Driver on the push-down plate in the appropriate orientation.
5. Gently but firmly push down on the center of the driver, depressing both the driver and the push-down plate. The LEDs change from Red to Yellow.
6. The Driver can now be detected by clicking the Magnifier button or selected from the drop-down menu on the *SelectSYNC* homepage.
7. If profiles are already created for the *SelectSYNC* model being programmed, select one to allow entry to batch programming mode.
8. If no profiles are stored for the *SelectSYNC* model being programmed, advance to the main programming page. Here you can change the desired parameters, manipulate profiles, program the Driver, and query the current driver settings.
9. Note that Batch programming is initiated at the *SelectSYNC* homepage.

## Engaging NFC Driver Communications

1. Complete connection of the NFCW to a PC.
2. Yellow and Green LEDs on the NFCW flash 5 times.
3. Yellow LED turns off. Green LED remains flashing.
4. Open the *SelectSYNC* software GUI.
5. Place the antenna on output side of an NFC programmable Driver on the center of the NFCW programming plate, as shown below. Yellow light on the NFCW will turn on when driver is detected.
6. The Driver can now be detected by clicking the Magnifier button or selected from the drop-down menu on the *SelectSYNC* homepage. **Note:** Auto detection of an NFC Driver may take up to 14 seconds if NFCW is connected through the UCM to the PC or if the NFCW and the UCM are both plugged into the same PC on separate USB ports.
7. If profiles are already created for the *SelectSYNC* model being programmed, select one to allow entry to batch programming mode.
8. If no profiles are stored for the *SelectSYNC* model being programmed, advance to the main programming page. Here you can change the desired parameters, manipulate profiles, program the Driver, and query the current driver settings.
9. Note that Batch programming is initiated at the *SelectSYNC* homepage.

