



EGRESS

POST TOP ADAPTER



ARCHITECTURAL AREA LIGHTING


architectural
arealighting

Current 

SPECIFICATIONS

CONTEMPORARY EGRESS ADAPTER - EPA-C

The Contemporary Egress Post Top Adapter can be integrated into an existing non-egress-fitted pole application to provide code-required egress illumination. This adapter features 360° rotation for easy field adjustments. It also features an adjustable bracket that can be positioned between 15-45 degrees, so concise, direct illumination can be provided onto the path of egress. The Egress PTA is wired to an auxiliary 120 volt power source that activates the lower-wattage MR16 in the event of an emergency or power interruption.

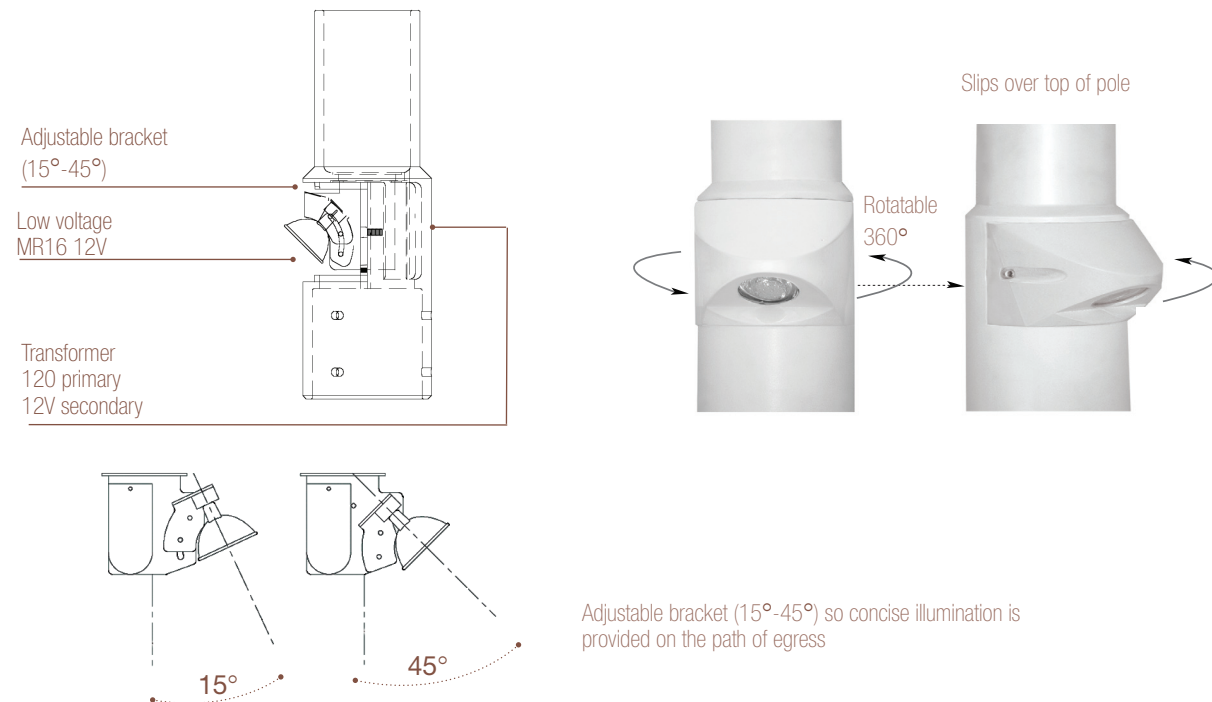
The housing slips over a 4"/100mm O.D. pole. It includes an access cover with an integral lens and a lanyard safety cable. The contemporary model is 14 1/2" tall, but only adds 3 5/8" to the overall height of the pole. Prewired on both the load side and line side for easy installation.

TRADITIONAL EGRESS ADAPTER - EPA-T

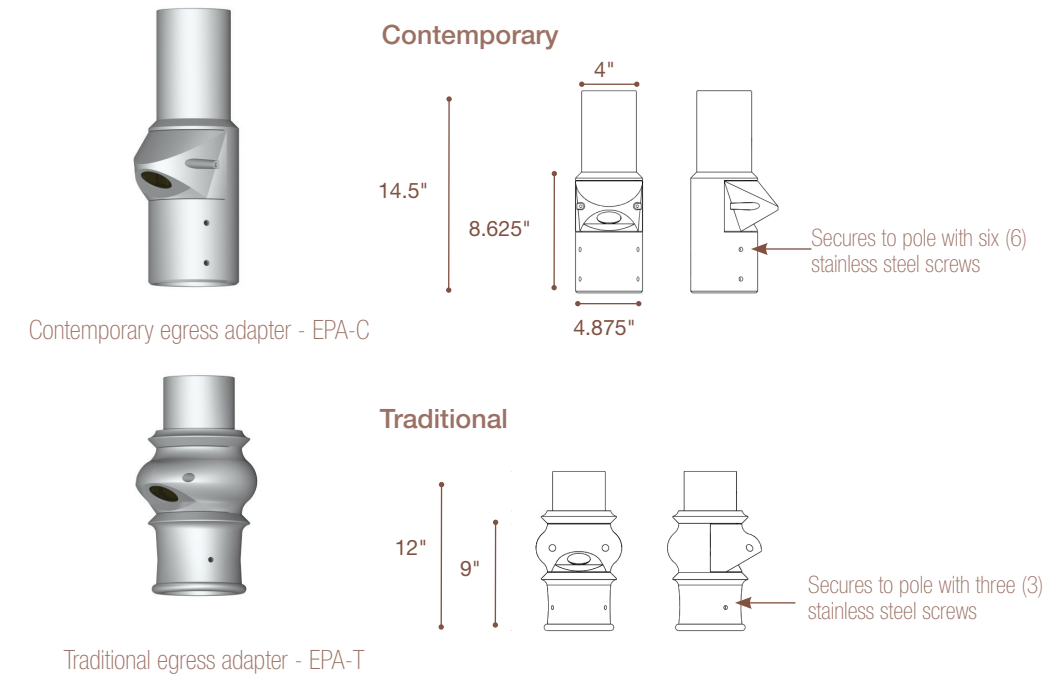
The Traditional Egress Post Top Adapter can be integrated into an existing non-egress-fitted pole application to provide code-required egress illumination. This adapter features 360° rotation for easy field adjustments. It also features an adjustable bracket that can be positioned between 15-45 degrees, so concise, direct illumination can be provided onto the path of egress. The Egress PTA is wired to an auxiliary 120 volt power source that activates the lower-wattage MR16 in the event of an emergency or power interruption.

The housing slips over a 4"/100mm O.D. pole. It includes an access cover with an integral lens and a lanyard safety cable. The traditional model is 12" tall, but only adds 3 5/8" to the overall height of the pole. Prewired on both the load side and line side for easy installation.

ILLUMINATION



DIMENSION 2 styles to complement product: traditional and contemporary



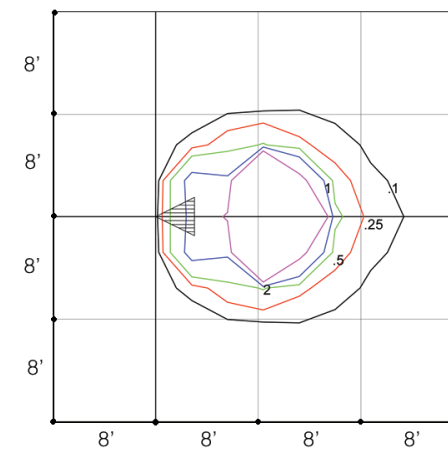
ORDER INFO

EPA-C	Egress Post Top Adapter Contemporary
EPA-T	Egress Post Top Adapter Traditional

Colors

All standard AAL colors available. For RAL & custom colors, please submit a four-digit RAL number or color chip for custom colors.

PHOTOMETRY



Distribution from a 50 watt MR16 lamp mounted at 8 feet at 45° inclination.

As prescribed by the NFPA (National Fire Protection Association) code, emergency egress levels from the point of egress to the common way must be 1 footcandle average, with 0.1 footcandle minimum. This is required for a minimum run time of 90 minutes on the emergency generator, battery back-up, or inverter system.

Architectural Area Lighting offers a variety of architecturally relevant, low power lighting options that will flexibly layer onto your site plan to meet the NFPA prescribed requirements. Dual Lite offers a number of power options that complement the Architectural Area Lighting solutions for a complete egress solution for your site.

EGRESS

Post Top Adapter



Current 

Current - HLI Brands

701 Millennium Blvd.
Greenville, SC 29607

currentlighting.com/aal

© 2022 HLI Solutions, Inc. All rights reserved. Information and specifications subject to change without notice. All values are design or typical values when measured under laboratory conditions.

(Rev 10/21/22)

aal_epa_lit_R02