

PURSUIT™

LINEAR WITHOUT
LIMITATION

SURFACE,
PENDANT &
RECESSED

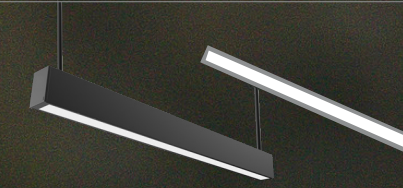

architectural
arealighting

Current 

PURSUIT™

SURFACE, PENDANT
& RECESSED

LINEAR WITHOUT LIMITATION





LOW PROFILE

Whether installed on a surface, pendant mounted or recessed, Pursuit's low profile linear form factor seamlessly blends with the architecture - day or night.

IP66 Rated for demanding environments including protection from dust, oil, non-corrosive material and water intrusion.

PURSUIT™
 & PURSUIT RECESSED

FEATURES

Individual housing lengths can be connected with external lens for seamless and continuous runs up to 150' to meet a variety of applications.

01
 IP66 Rated exterior linear luminaire

02
 Five housing lengths

03
 Housings can be connected to form an uninterrupted ribbon of light up to 150'

04
 Direct and Recessed Housing

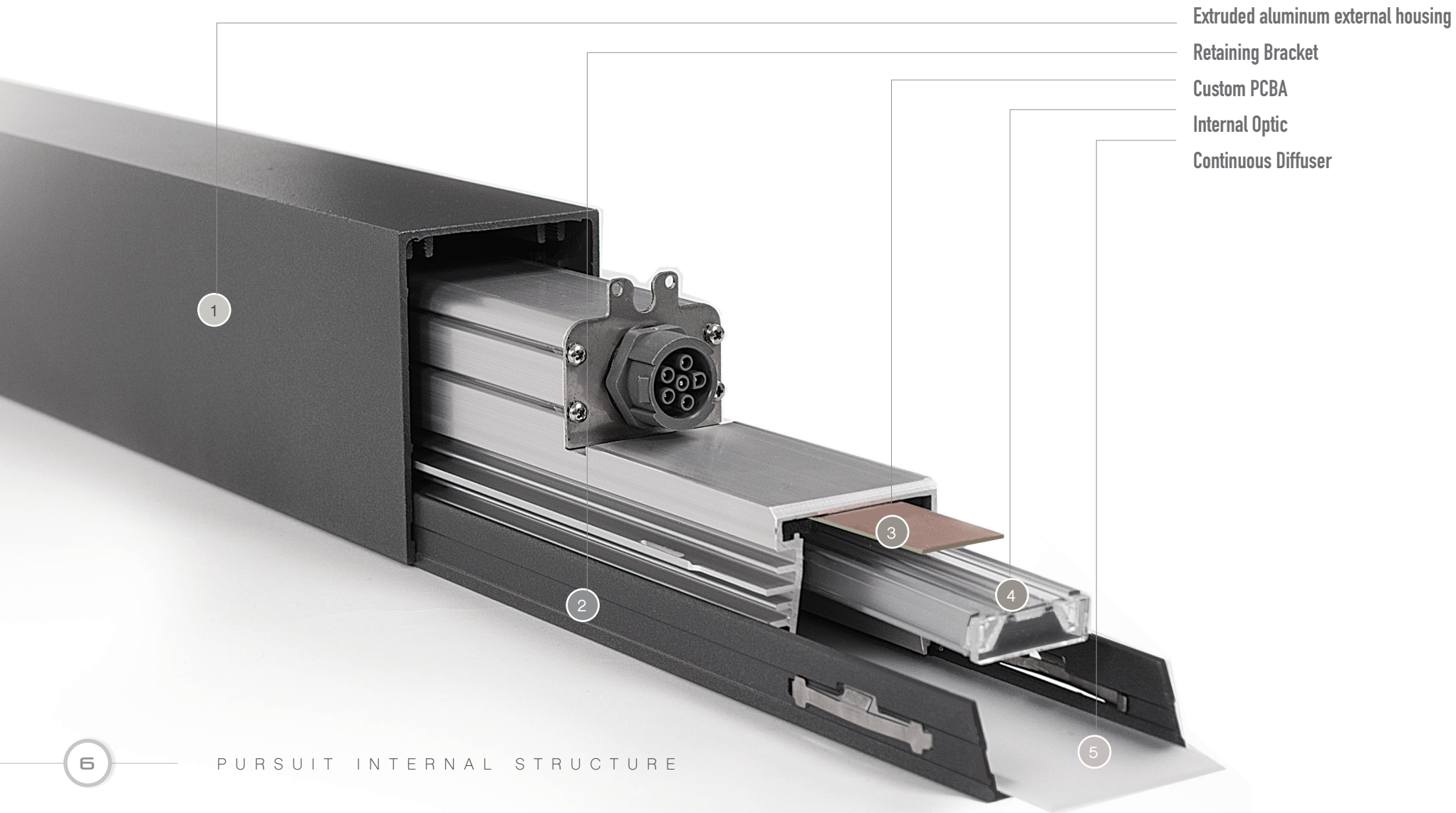
05
 Illuminated modules available to form custom shapes

06
 Broad offering of mounting options

IP66 rating for Direct and Recessed mounting configuration only.

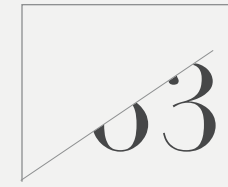
DESIGN

EXCELLENCE



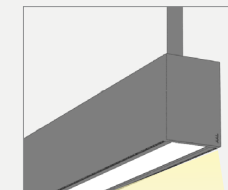
6

PURSUIT INTERNAL STRUCTURE



OPTICAL SYSTEM

DOWNLIGHT



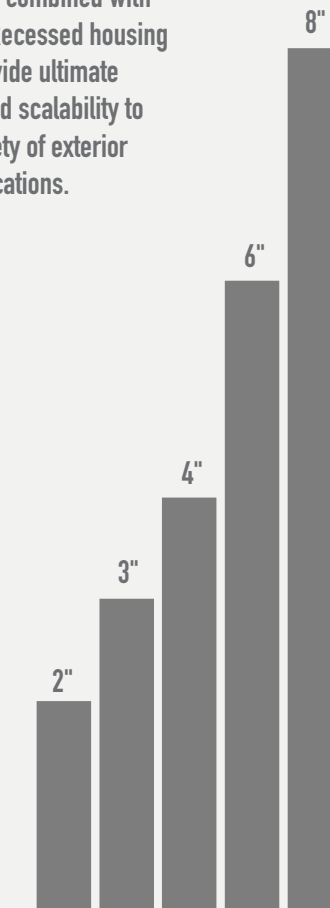
DIMENSIONS

W
2.55"/65mm
H
3.65"/93mm



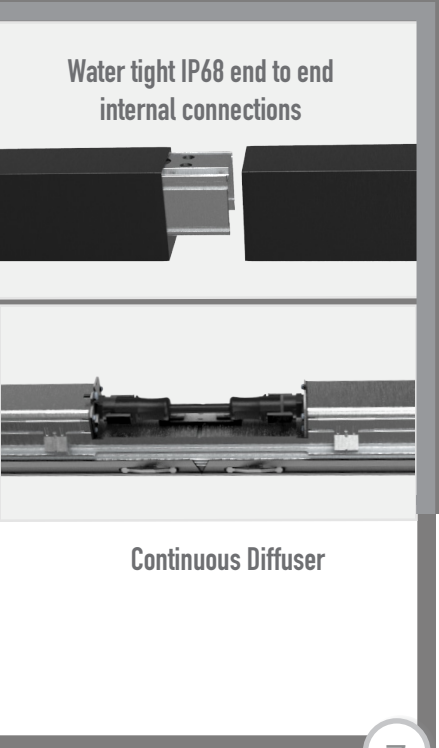
HOUSING LENGTHS

Five lengths combined with Direct and Recessed housing options provide ultimate flexibility and scalability to meet a variety of exterior linear applications.



CONNECTION

Individual housing lengths can be connected with external lens for seamless and continuous runs up to 150' to meet a variety of applications.



7

DISTRIBUTIONS

DESIGN WITHOUT CONSTRAINT

Four distributions and four lumen outputs up to 1,500 lm/ft enable high performance design freedom.

LUMINAIRE OUTPUT RANGE

DIRECT

823-14,232 lumens
Up to 116 LPW

RECESSED

823-10,578 lumens
Up to 115 LPW



01. Asymmetric Down | 02. Wall graze Down | 03. Symmetric Down | 04. Wall Wash Down

MOUNTING

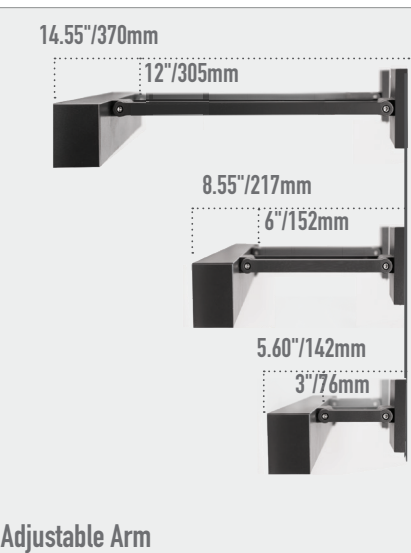
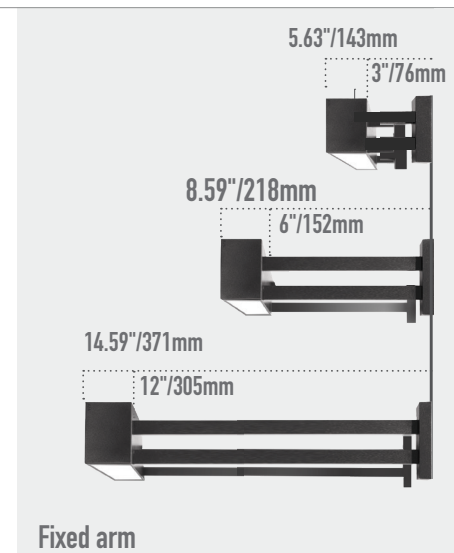
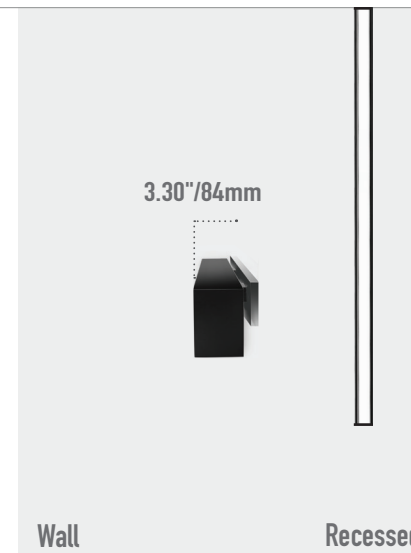
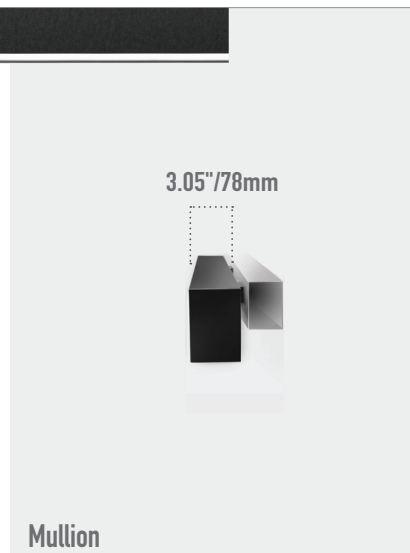
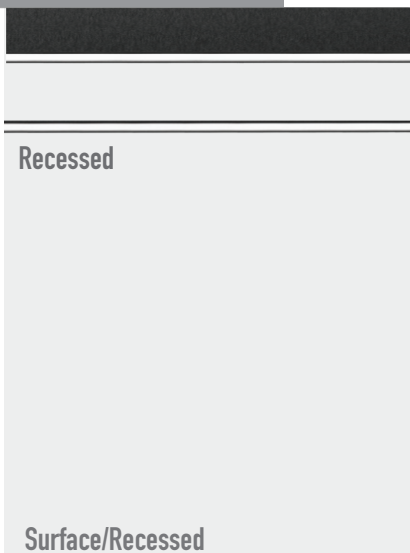
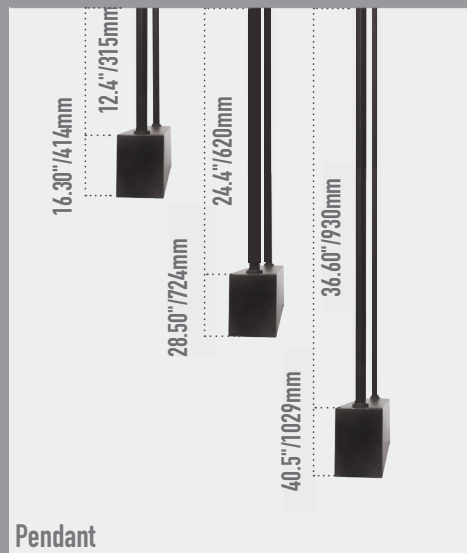
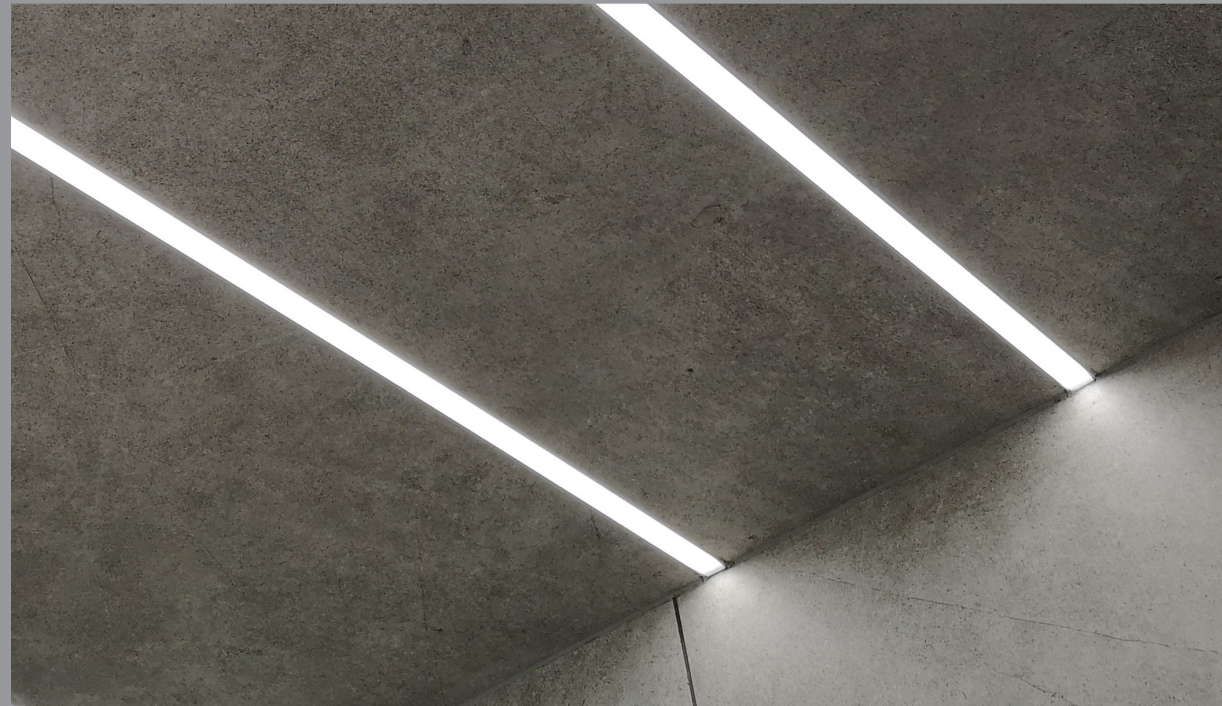
OPTIONS

PURSUIT

- Pendant
- Cable
- Surface
- Mullion
- Wall
- Fixed Arm
- Adjustable Arm

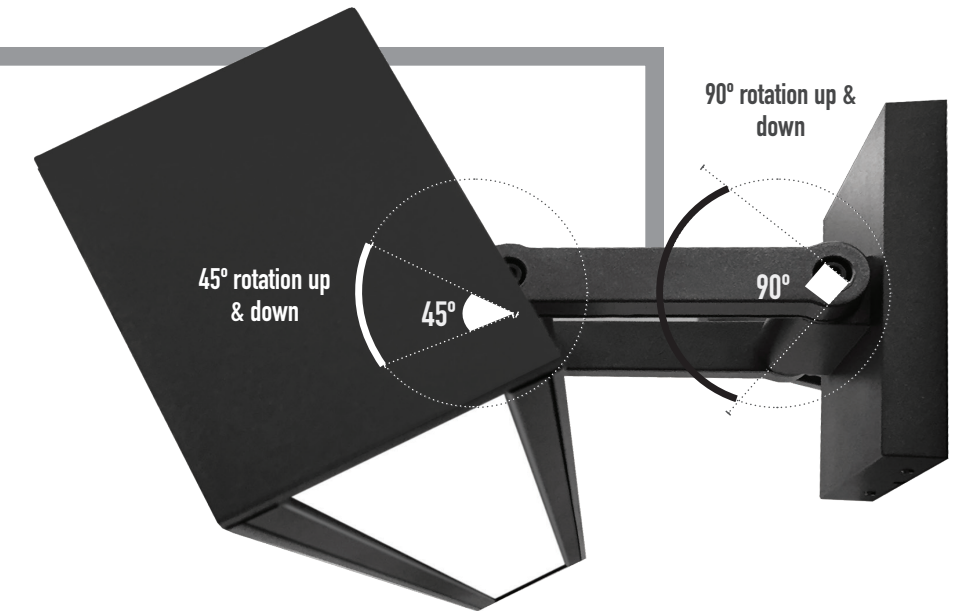
RECESSED

- Ceiling
- Wall



AIMING

Direct housing cannot be aimed up or installed inverted.





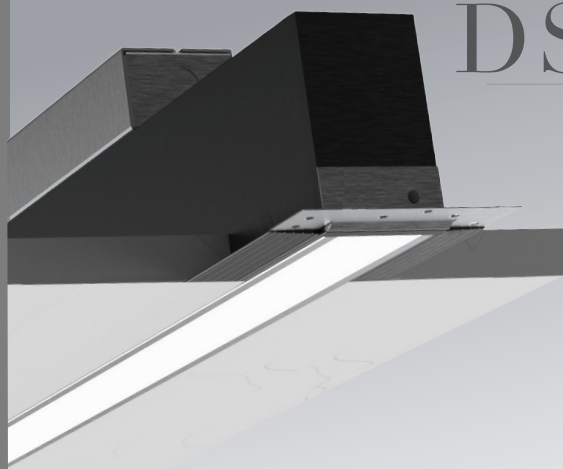
PURSUIT™

RECESSED

The Pursuit Recessed expands the family to include three recessed mounting options: Spackle, Flanged and Flangeless. These options offer three distinct aesthetic looks for design freedom.

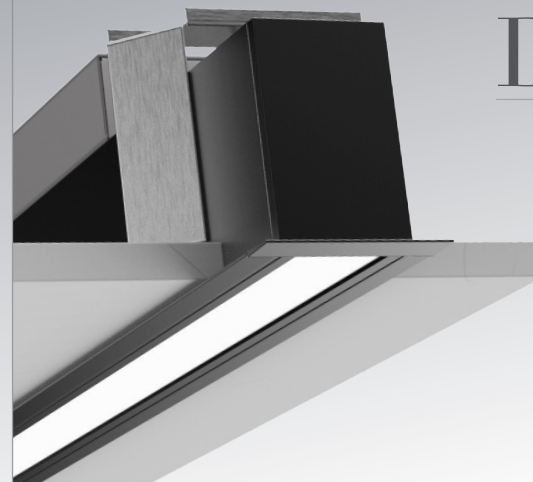


PURSUIT RECESSED



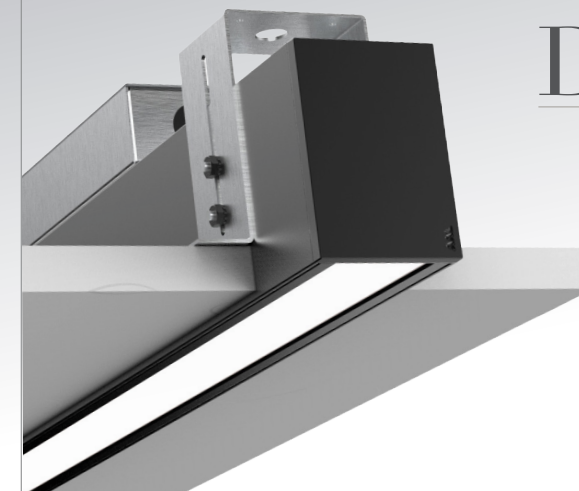
DS DRYWALL SPACKLE FLANGE

The spackle mount is used in applications for drywall ceilings or walls. Flange is hidden with spackle for clean elegant appearance.



DF DRYWALL FLANGE

The flanged mounting option covers imperfect cuts in the ceiling or wall.



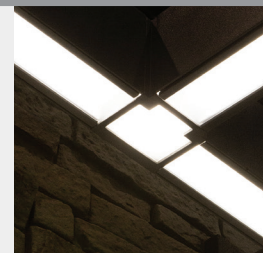
D FLANGELESS

The flangeless mounting option requires precise preparation of the wall or ceiling for a seamless installation. Fixture housing can be painted to match or be painted a contrasting color.

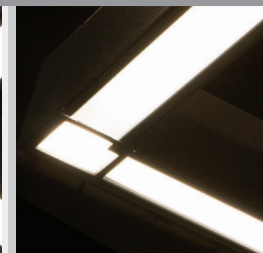
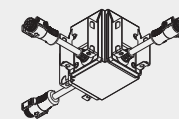
CONNECTOR

DYNAMIC LINEAR

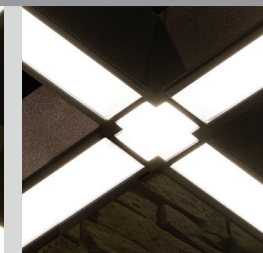
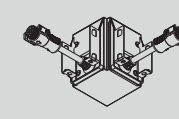
Illuminated "L", "T" and "X" modules allow creation of custom shapes or to follow and highlight architectural details for dramatic effects.



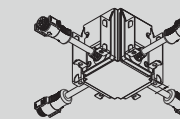
DIRECT
RNLTX-T



DIRECT
RNLTX-L



DIRECT
RNLTX-X





NA LIGHTING CONTROLS

Current Control Solutions' NX lighting controls platform utilizes a Distributed Network Architecture (DNA) that connects intelligent devices including luminaires, controllers, panels, occupancy sensors, photocells, wall switches and dimmers, creating a system with an unmatched level of reliability, scalability and simplicity



CONTROL INTEGRATION

CONTROL OPTIONS

- SCP Dim Occupancy Sensor
- NXWE* NX Networked Wireless Radio Module, without Sensor
- NXOSW* NX Networked Wireless Radio Module and Integral NXSMP-OMNI-0 PIR Occupancy Sensor with Automatic Dimming Photocell and Bluetooth Programming

* Not with PC

PHOTOCELL OPTIONS

- PC Button Photocell





PURSUIT™

FLUSHED
SURFACE MOUNT





RECESSED

The IP66 rating allow the fixture to be wall mounted in a vertical orientation.

IP66 rating for Direct and Recessed mounting configuration only.



PURSUIT™ RECESSED

The Pursuit Recessed allows a linear run from outside to inside for seamless lighting effect.

IP66

PURSUIT™

ORDERING INFORMATION

DIRECT

LIGHT ENGINE	RUN LENGTH	MAX SECTION LENGTH
D Direct	Manual input (150' max length - round up to nearest whole foot)	2' Housing 3' Housing 4' Housing 6' Housing 8' Housing

OUTPUT	CCT/CRI	DISTRIBUTIONS
3 300 lumen/ft*	27K8 - 2700K, 80 CRI	SM Symmetric
5 500 lumen/ft	27K9 - 2700K, 90 CRI	AS Asymmetric
7 750 lumen/ft	3K7 - 3000K, 70 CRI	WG Wall Graze
10 1000 lumen/ft	3K8 - 3000K, 80 CRI	WW Wall Wash
15 1500 lumen/ft	3K9 - 3000K, 90 CRI	
* Consult factory for additional details		
	35K8 - 3500K, 80 CRI	
	35K9 - 3500K, 90 CRI	
	4K7 - 4000K, 70 CRI	
	4K8 - 4000K, 80 CRI	
	4K9 - 4000K, 90 CRI	
	5K7 - 5000K, 70 CRI	
	5K8 - 5000K, 80 CRI	
	5K9 - 5000K, 90 CRI	

SHIELDING	VOLTAGE	MOUNTING
DL Diffuse lens	UNV 120-277V	W Wall
CL Clear lens	347 347V	A3 3" Adjustable arm
	480 480V	A6 6" Adjustable arm
		A12 12" Adjustable arm
		F3 3" Fixed arm
		F6 6" Fixed arm
		F12 12" Fixed arm
		M Mullion
		S Surface
		PSW12 12" Pendant
		PSW24 24" Pendant
		PSW36 36" Pendant

FINISH	OPTIONS
BLS Black Gloss Smooth	EMF1 End Power Feed at one end
BLT Black Matte Textured	EMF2 End Power Feed at both ends
DBS Dark Bronze Gloss Smooth	Photocell Options
DBT Dark Bronze Matte Textured	PC Button Photocell ⁽¹⁾
GTT Graphite Matte Textured	Control Options—Not with PC ⁽¹⁾
LGS Light Grey Gloss Smooth	SCP Dim Occupancy Sensor
LGT Light Grey Matte Textured	NXWE NX Networked Wireless Radio Module, without Sensor
PSS Platinum Silver Gloss Smooth	NXOSW NX Networked Wireless Radio Module and Integral NX SMP-OMNI-0 PIR Occupancy Sensor with Automatic Dimming Photocell and Bluetooth Programming
VGT Verde Green Matte Textured	
WHS White Gloss Smooth	
WHT White Matte Textured	
COLOR OPTION	
CC Custom Color ⁽³⁾	Emergency Battery Option
	EM Battery Backup Unit (-20°C) ⁽²⁾

ACCESSORIES

Connector Shape	Connector Shape	Connector Shape
RNLTX-L-D	RNLTX-T-D	RNLTX-X-D
Direct L Shape	Direct T Shape	Direct X Shape

SHIELDING	VOLTAGE	FINISH
DL Diffuse lens	UNV 120-277V	BLS Black Gloss Smooth
CL Clear lens	347 347V	BLT Black Matte Textured
	480 480V	DBS Dark Bronze Gloss Smooth
		DBT Dark Bronze Matte Textured
		GTT Graphite Matte Textured
		LGS Light Grey Gloss Smooth
		LGT Light Grey Matte Textured
		PSS Platinum Silver Gloss Smooth
		VGT Verde Green Matte Textured
		WHS White Gloss Smooth
		WHT White Matte Textured
COLOR OPTION		
		CC Custom Color ⁽³⁾

NOTES
⁽¹⁾ Requires auxiliary housing. Fixture length will increase.
⁽²⁾ Integral battery backup for 3, 4, 6 and 8 foot versions only. Not available on 2' housing.

LIGHT ENGINE	OUTPUT	COLOR TEMP
D	3 300 lumen/ft*	27K8 - 2700K, 80 CRI
	5 500 lumen/ft	27K9 - 2700K, 90 CRI
	7 750 lumen/ft	3K7 - 3000K, 70 CRI
	10 1000 lumen/ft ⁽¹⁾	3K8 - 3000K, 80 CRI
	15 1500 lumen/ft	3K9 - 3000K, 90 CRI
* Consult factory for additional details		
		35K8 - 3500K, 80 CRI
		35K9 - 3500K, 90 CRI
		4K7 - 4000K, 70 CRI
		4K8 - 4000K, 80 CRI
		4K9 - 4000K, 90 CRI
		5K7 - 5000K, 70 CRI
		5K8 - 5000K, 80 CRI
		5K9 - 5000K, 90 CRI

SHIELDING	VOLTAGE	FINISH
DL Diffuse lens	UNV 120-277V	BLS Black Gloss Smooth
CL Clear lens	347 347V	BLT Black Matte Textured
	480 480V	DBS Dark Bronze Gloss Smooth
		DBT Dark Bronze Matte Textured
		GTT Graphite Matte Textured
		LGS Light Grey Gloss Smooth
		LGT Light Grey Matte Textured
		PSS Platinum Silver Gloss Smooth
		VGT Verde Green Matte Textured
		WHS White Gloss Smooth
		WHT White Matte Textured
COLOR OPTION		
		CC Custom Color ⁽³⁾

NOTES
 The top of the connectors are not lit.

RECESSED

ORDERING INFORMATION

RECESSED						
HOUSING	LIGHT ENGINE		ROW LENGTH	MAX SECTION LENGTH	LUMEN OUTPUT	CCT/CRI ²
RN Pursuit	R	Recessed	Manual input (150' max length. Round up to nearest whole foot)	2 2' Housing 3 3' Housing 4 4' Housing 6 6' Housing 8 8' Housing	3 300 lumen/ft* 5 500 lumen/ft 7 750 lumen/ft 10 1000 lumen/ft <i>* Consult factory for additional details</i>	27K8 2700K, 80 CRI 27K9 2700K, 90 CRI 3K7 3000K, 70 CRI 3K8 3000K, 80 CRI 3K9 3000K, 90 CRI 35K8 3500K, 80 CRI 35K9 3500K, 90 CRI 4K7 4000K, 70 CRI 4K8 4000K, 80 CRI 4K9 4000K, 90 CRI 5K7 5000K, 70 CRI 5K8 5000K, 80 CRI 5K9 5000K, 90 CRI
DISTRIBUTIONS	SHIELDING	VOLTAGE	MOUNTING	OPTIONS		FINISH
SM Symmetric AS Asymmetric WG Wall Graze WW Wall Wash	DL Diffuse lens CL Clear lens	UNV 120-277V 347 347V 480 480V	D Drywall Flangeless DF Drywall Flange DS Drywall Spackle Flange	EMF1 End Power Feed at one end EMF2 End Power Feed at both ends <u>Photocell Options</u> PC Button Photocell ⁽³⁾ <u>Control Options—Not with PC</u> ⁽³⁾ SCP Dim Occupancy Sensor NXWE NX Networked Wireless Radio Module, without Sensor NXOSW NX Networked Wireless Radio Module and Integral NXSMP-OMNI PIR Occupancy Sensor with Automatic Dimming Photocell and Bluetooth Programming <u>Emergency Battery Option</u> EM Battery Backup Unit (-20°C) ⁽⁴⁾		BLS Black Gloss Smooth BLT Black Matte Textured DBS Dark Bronze Gloss Smooth DBT Dark Bronze Matte Textured GTT Graphite Matte Textured LGS Light Grey Gloss Smooth LGT Light Grey Matte Textured PSS Platinum Silver Gloss Smooth VGT Verde Green Matte Textured WHS White Gloss Smooth WHT White Matte Textured <u>COLOR OPTION</u> CC Custom Color ⁽⁵⁾

NOTES

- ¹ 480V not available
- ² Consult factory for additional CCT options
- ³ Requires auxiliary housing. Fixture length will increase
- ⁴ Integral battery backup for 3, 4, 6 and 8 foot versions only. Not available on 2' housing
- ⁵ Consult factory for custom color, marine and corrosive finish options



Current Lighting Solutions, LLC

701 Millennium Blvd.
Greenville, SC 29607

currentlighting.com/architecturalarealighting

© 2022 HLI Solutions, Inc. All rights reserved. Information and specifications subject to change without notice. All values are design or typical values when measured under laboratory conditions.

Rev 06/23/22

aal_pursuit_lit_R02
