

# Arms & Poles Selection Guide



Contemporary & Heritage Luminaire Families



# Arms & Poles Selection Guide

Kim's Theory of Relativity	2
Contemporary Architectural Luminaires	6 - 9
Heritage Luminaires	10 - 13
Contemporary Architectural Arms	14 - 25
Heritage Arms	26 - 49
Contemporary Poles	50 - 65
Heritage Poles	66 - 73
Bases, Finials and Accessories	74
Wind Map	75
Tenon Mount Options (Poles by Others)	76 - 77
Heritage Pole Centerline Matrix	78 - 79
Contemporary & Heritage Luminaire Catalogs	80 - 81



## Contemporary and Heritage Solutions

Northeast town planners typically need a particular lighting standard to reflect their community's federal or colonial history. Southern and southwestern specifiers may prefer heritage designs to coordinate with aristocratic, Spanish, or rural architecture. A growing Midwest metropolis might seek contemporary solutions for a new high-tech business center, and university architects are often interested in Renaissance, Gothic, or Greek revival accents. Whatever the period, style, or detail required, Kim Lighting can provide the right luminaire with the right performance and the right design solution.

Specify reliability. Specify experience. Specify architectural relevance. Always specify Kim Lighting.

## Complete Luminaire Collection

This specification guide represents the complete collection of Kim site and roadway lighting families matched with a wide selection of high impact architectural arms and poles for installation on any contemporary or traditional project. For complete electrical and optical fixture specifications, please refer to individual Kim Lighting luminaire catalogs or visit [www.kimlighting.com](http://www.kimlighting.com).

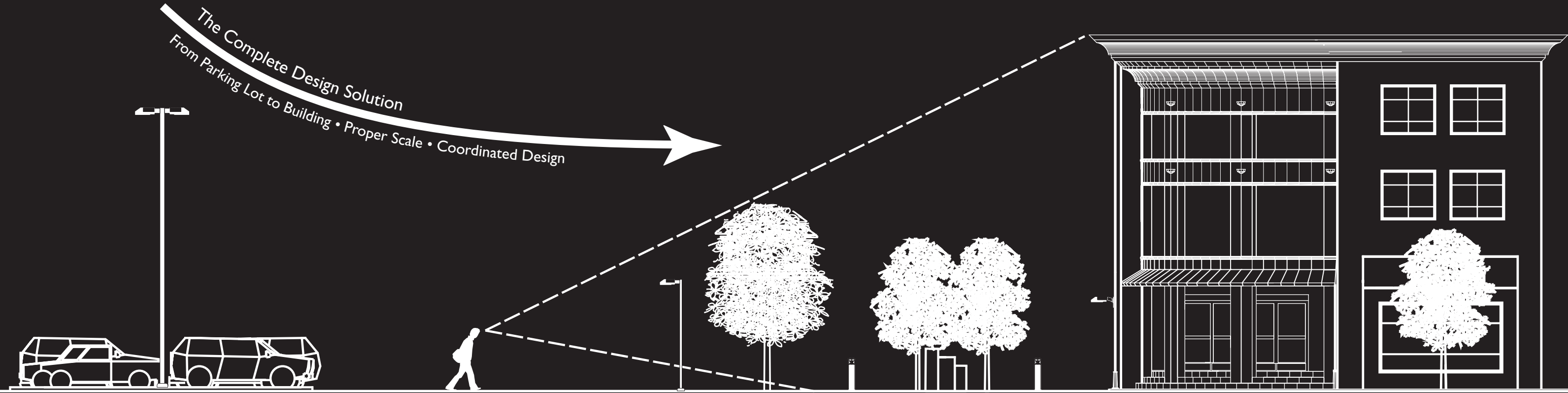
- Kim Lighting offers the widest variety of contemporary and heritage luminaires armatures, poles and accessories available.
- Kim Lighting offers unlimited mix-and-match customization options to create the exact luminaire solution that accurately blends with the surrounding architecture and environment.
- And Kim Lighting offers the highest quality gold standard service, product construction, and photometric performance in the industry.



# Kim's Theory of Relativity

At Kim Lighting, products are developed in context as they relate to Detail, Performance and Proportion: Detail, to connect fixture appearance to the site and architectural elements; Performance, to provide high visibility while using energy efficiently; and Proportion, to reflect the proximity to structures as well as site occupants. Lighting practice is a blend of aesthetic design, performance and effect. Integrating outdoor lighting with site architecture is the key to Kim Lighting's Theory of Relativity.

The Complete Design Solution  
From Parking Lot to Building • Proper Scale • Coordinated Design



## Site/Roadway Zone

## Pedestrian Zone

## Landscape/Pathway Zone

## Building/Perimeter Zone



The Site/Roadway Zone requires large scale sources, mounted high and spaced widely. Parking lots and roadways require luminaires on 20'-40' poles to efficiently light these large areas. Therefore, this lighting sets the design style for all other lighting zones as you progress towards the building. Select large version luminaires for this zone.



Pedestrian Zone luminaires are mounted lower and provide higher illumination levels to draw attention and enhance security. As an observer leaves the parking lot and transitions to pedestrian areas, poles should decrease in height to 10' - 16'. In addition, luminaires should decrease in scale, as human perception of proportion is keen at this level. Select small version luminaires for this zone, and select a finish that will integrate well with the fixture's primary background elements.



Landscape/Path Zone fixtures are closest to occupants, delineate paths and connect the site with the structure itself. The Building/Perimeter luminaires should continue to disappear, blending into the landscape and hardscape elements. Select from a wide range of low voltage, line voltage, and LED landscape luminaires.



The Building/Perimeter Zone requires design intimate with physical architectural elements. Lighting practice is a blend of aesthetic design, performance and effect. Avoid installing pole-mounted luminaires close to the building, as they tend to dominate the architecture. However, Kim Lighting suggests wall mounted luminaires to reduce daytime detection of building mounted equipment.

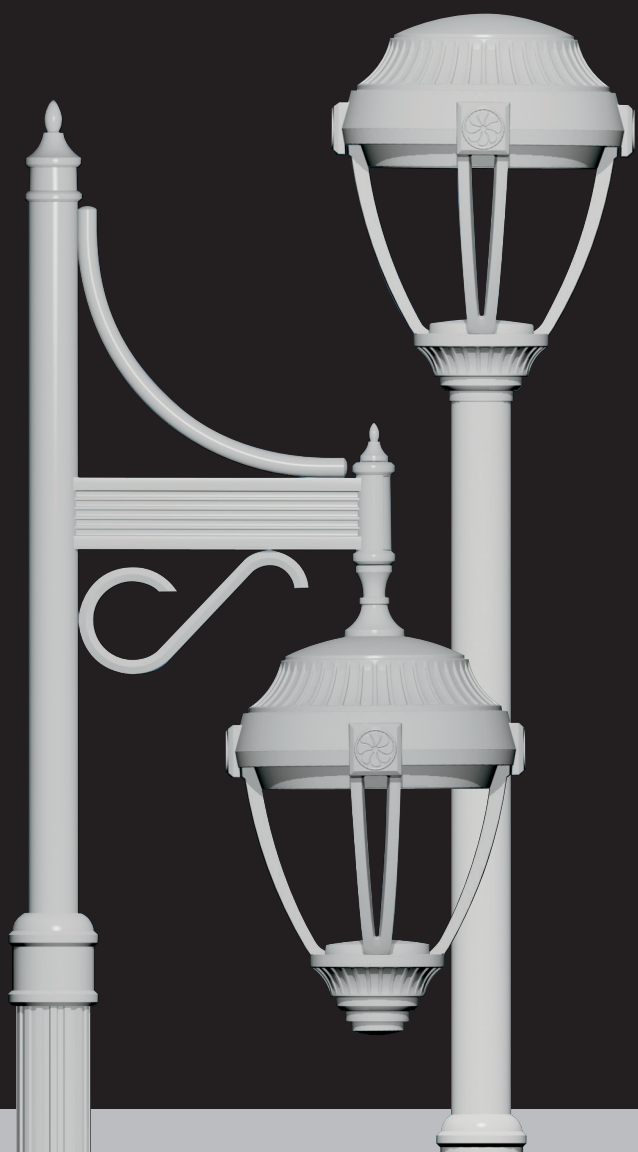


# Online Configurator

Remove the uncertainty and anxiety associated with customization of outdoor site, roadway, and pedestrian scale luminaires. Kim Lighting offers a fun, unique, and free online tool specifically for creating complete Kim Lighting traditional luminaires with Kim Lighting heritage fixtures, arms, and poles, including Era Lantern's options.

Designers can even upload their own digital photo backgrounds to "virtually" visualize their installations before deciding. It's quick, it's easy, and no sign up is required.

## Easy luminaire customization wizard



Choose a Head	Choose an Arm	Choose a Pole	Choose a Base	
LET19DCMDL	HA37S	HSAF	HBC2	
LET19SS/LEAF	HA02S	HAS	HBC1	

From wizard to rendering in seconds...

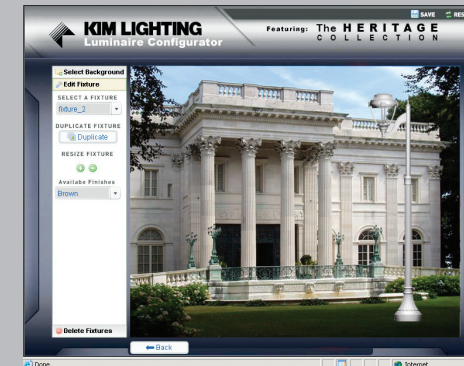
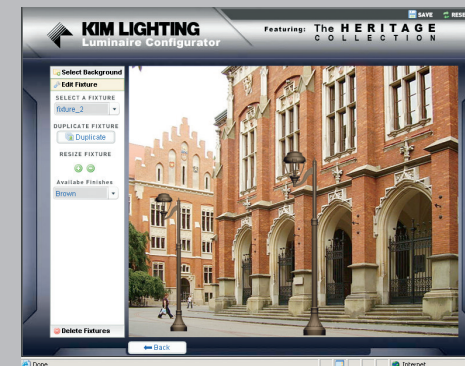
Even upload your own project backgrounds...



Easy Online Wizard



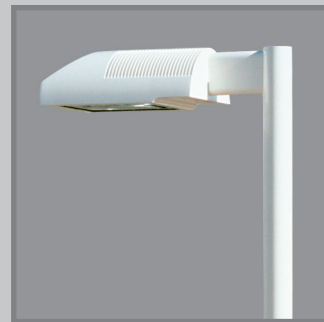
Accurate luminaire rendering





# Contemporary Arm Mounted Luminaires

# Product Selection Guide



**Archetype®  
AR/SAR**  
Modern architecture often integrates curvilinear, rectilinear, classical, and neo-classical styles into a single structure. The eclectic shape of The Archetype readily adapts to and universally complements contemporary architectural design.



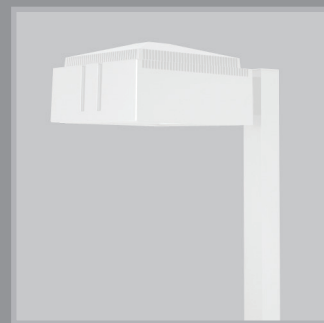
**AC Series ACA21/  
ACA27**  
The bold look of the AC Series with its distinguishing "backbone" that structurally ties its post-top or side-arm mounting to the pole, AC employs a soft curvilinear form that reduces wind loading and visual mass when compared to bulky square fixtures.



**Entablature®  
ET/SET**  
The Entablature has been created as the "chameleon" of rectilinear luminaires. It can be whatever the specifier wants it to be; a contemporary box luminaire reflecting the latest in industrial design, or an intriguing extension of the surrounding architecture.



**Structural™  
STL/STS/STX**  
Structural represents a breakthrough concept. Never before has a Site/Area luminaire offered such versatility in complementing architectural design. Structural's elegant form is an orchestrated combination of simple shapes in a dynamic architectural luminaire.



**Matrix™  
MX21A**  
The Matrix Series is a product family offering a wide range of mounting and performance features. The symmetric square body, pyramid roof, and fine detail produce luminaires of exceptional design flexibility, thus satisfying the most demanding outdoor lighting requirements.



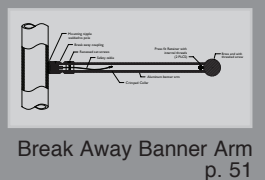
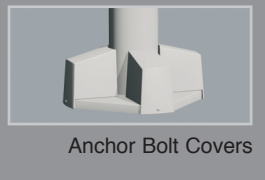
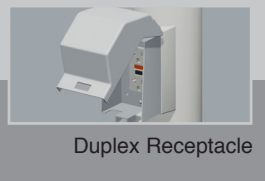
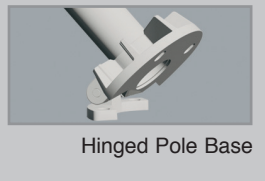
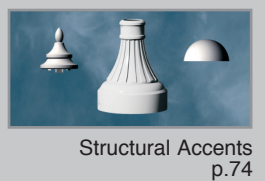
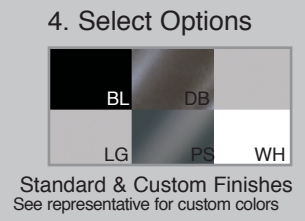
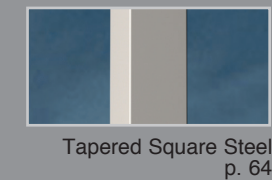
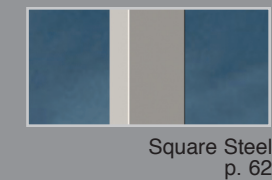
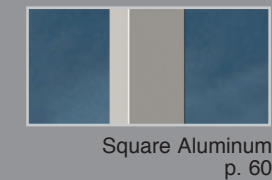
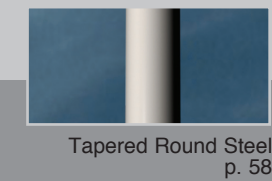
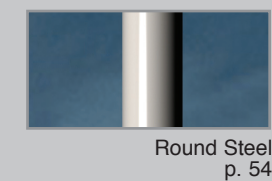
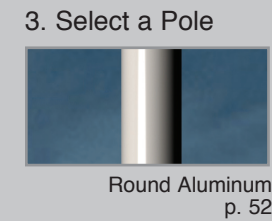
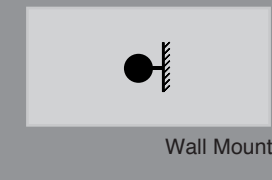
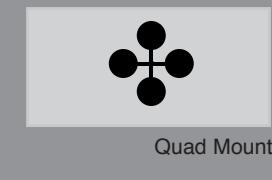
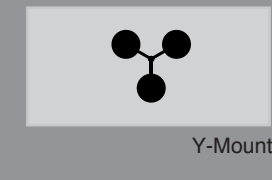
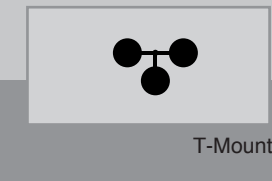
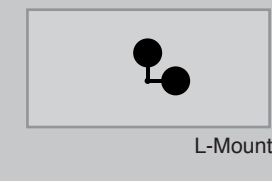
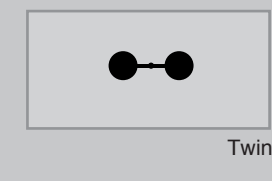
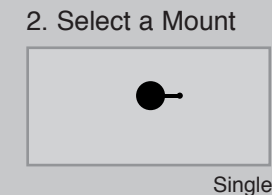
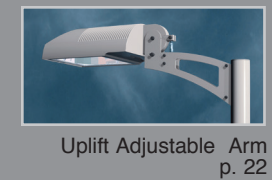
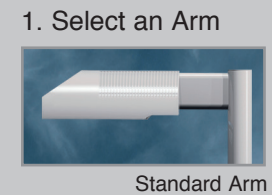
**Curvilinear  
CC17/21/25/29A**  
The CC/CCS Series of performance luminaires are conceived as a total integration of design and technology. Kim's third generation of Curvilinear Cutoff luminaires represents the most current technology in specification-grade outdoor lighting.



**VL Series  
VLA17/21/25/29**  
The strong architectural lines of the Kim VL Series luminaires are a combination of aesthetics and robust engineering, producing the defining form and function in vertical lamp technology.



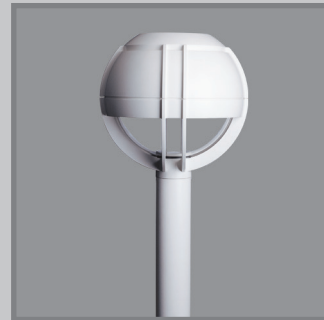
**WARP9®  
WP9**  
Kim Lighting's WARP9 visual stealth luminaire and unique hollow arm design combination are recommended for use with Kim's round contemporary poles and its exclusive Stealth Gray™ finish. Specify WARP9 with round poles on pages 52-59. Refer to WARP9 luminaire catalog for additional details.





# Contemporary Post-Top Luminaires

# Product Selection Guide



**NeoSphere™**  
NS1/2/3/4

The sphere is a classic architectural form. It was the first contemporary shape used in outdoor lighting when the modern architectural era became rooted. During the 1960s the sphere was so widely used, it's still an industry standard.



**AC Series**  
ACP21/ACP27

The bold look of the AC Series with its distinguishing "backbone" that structurally ties its post-top or side-arm mounting to the pole, AC employs a soft curvilinear form that reduces wind loading and visual mass when compared to bulky square fixtures.



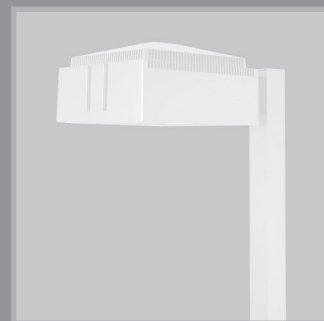
**Wide Throw**  
WTH/WTV

A pedestrian scale luminaire requires a specific design approach that distinguishes it from larger street and area lighting fixtures. The optical system must provide a wider distribution to produce uniformity from lower mounting heights. At lower mounting heights, luminaire designs must produce a unified look with the pole so the viewer perceives them as a single component.



**Curvilinear**  
CC17/21/25/29P

The CC/CCS Series of performance luminaires are conceived as a total integration of design and technology. Kim's third generation of Curvilinear Cutoff luminaires represents the most current technology in specification-grade outdoor lighting.



**Matrix™**  
MX21A

The Matrix Series is a product family offering a wide range of mounting and performance features. The symmetric square body, pyramid roof, and fine detail produce luminaires of exceptional design flexibility, thus satisfying the most demanding outdoor lighting requirements.



**Axial Flood™**  
AXF21/22/23/24/26/27  
AXF31/32/33/34/36/37

Kim Lighting's Axial Flood high power architectural floodlighting family is compatible with Kim's contemporary and heritage poles series. Refer to the Axial Flood luminaire brochure for armature mounting and additional details.



**VL Series**  
VLP17/21/25/29

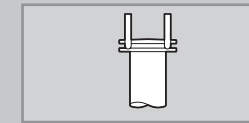
The strong architectural lines of the Kim VL Series luminaires are a combination of aesthetics and robust engineering, producing the defining form and function in vertical lamp technology.



**OTS Series**  
OTS600

Kim Lighting's OTS Outdoor Tube System is compatible with PBTS 6" round aluminum poles only on pages 52 -53. Refer to OTS luminaire catalog for complete system details.

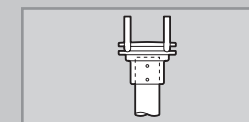
1. Select a Mount



Flush



Tenon



Direct

2. Select a Pole



Round Aluminum  
p. 52



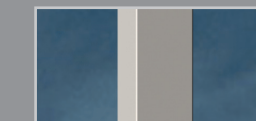
Round Steel  
p. 54



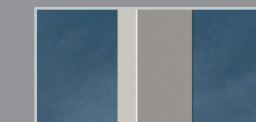
Tapered Round Aluminum  
p. 56



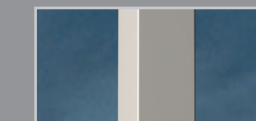
Tapered Round Steel  
p. 58



Square Aluminum  
p. 60



Square Steel  
p. 62



Tapered Square Steel  
p. 64

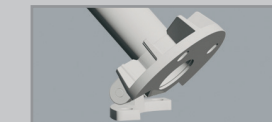
3. Select Options



Standard & Custom Finishes  
See representative for custom colors



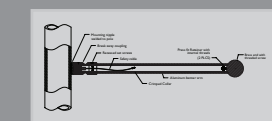
Base Covers  
p.74



Hinged Pole Base  
p. 56



Duplex Receptacle



Break Away Banner Arm  
p. 51

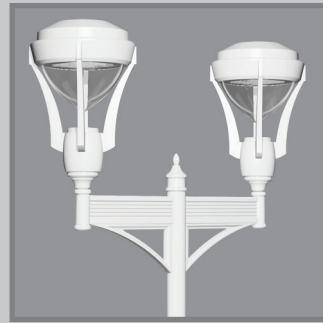


# Heritage Arm Mounted Luminaires

# Product Selection Guide



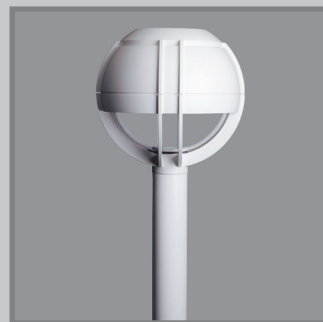
**Era® Lantern**  
LE19/26  
Finding a 2-in-1 high performance area light that also blends with the surrounding period environment has always been difficult, but Kim Lighting's Era® Lantern Series finally solves this dilemma and with a complete family of customizable high performance pole or wall mounted heritage luminaires.



**Solitaire™**  
SRS  
Inspired by lantern style gas luminaires, Solitaire is a classic, yet relevant to current architecture. Should a little more traditional appearance be desired, the luminous top option adds definition without reducing area lighting capability.



**Era®**  
RA  
Inspired by the growth of the "Heritage Style" in design, the Era adds a new dimension to applying the superior performance of Kim optical systems. Optically identical to other Kim Site/Roadway systems, the Era offers an alternative to rectilinear shapes, without compromising performance.



**NeoSphere™**  
NS1/2/3/4  
The sphere is a classic architectural form. It was the first contemporary shape used in outdoor lighting when the modern architectural era became rooted. During the 1960s the sphere was so widely used, it's still an industry standard.



**Era® Acorn**  
AE  
Kim Lighting has reinvented the classic acorn luminaire, using state-of-the-art optics to create a heritage look that meets all of the performance demands of today's outdoor lighting. The Era Acorn retains the classic acorn-shaped enclosure, but in a clear material that allows full optical performance with very low brightness.



**Bounce®**  
BNS/1  
Kim Lighting's Bounce Series combines European elegance with high performance direct and indirect area illumination for pedestrian zones. The Bounce series is compatible with Kim's heritage and contemporary pole series. Refer to the Bounce luminaire brochure for armature mounting and additional details.



**Era® Bell**  
BE  
The Era Bell utilizes a flat glass lens for full cutoff performance, satisfying the most demanding light control specifications. A true modern-day performance luminaire in classic configurations.



**MiniBounce™**  
BNM  
Specify Kim Lighting's MiniBounce series as a scaled companion to the larger Bounce series, perfect for pedestrian and pathway lighting, and compatible with Kim's heritage and contemporary pole series. Refer to the MiniBounce luminaire brochure for armature and wall mounting, and additional details.

## 1. Select an Arm



Side Pole Crook  
p. 32



Side Pole Swept Cast Arm  
p. 34

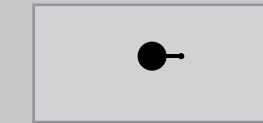


S-Shaped  
p. 36



Neo-Classic  
p. 38

## 2. Select an Mount



Single



Twin



L-Mount



T-Mount



Ribbon with Scroll  
p. 39 - 40



Ribbon with Gusset  
p. 41 - 42



Ribbon with Brace  
p. 43 - 44

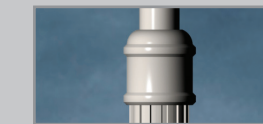


Ribbon Scroll & Brace  
p. 45 - 46

## 3. Select a Pole



Stepped Aluminum  
Smooth  
p. 68

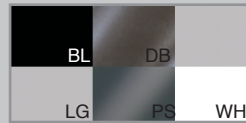


Stepped Aluminum Fluted  
p. 70



Round Aluminum  
p. 72

## 4. Select Options



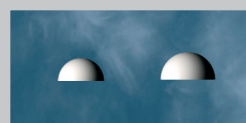
Standard & Custom Finishes  
See representative for custom colors



Decorative Base Cover  
p. 74



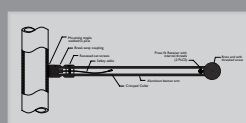
Traditional Base Cover  
p. 74



Pole Top Dome  
p. 74



Pole Top Finials  
p. 74



Break Away Banner Arm  
p. 51

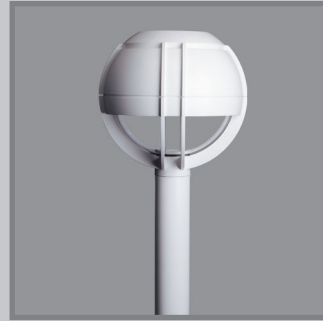


# Heritage Post-Top Luminaires

# Product Selection Guide



**Era® Lantern  
LE**  
Finding a 2-in-1 high performance area light that also blends with the surrounding period environment has always been difficult, but Kim Lighting's Era® Lantern Series finally solves this dilemma and with a complete family of customizable high performance pole or wall mounted heritage luminaires.



**NeoSphere™  
NS1/2/3/4**  
The sphere is a classic architectural form. It was the first contemporary shape used in outdoor lighting when the modern architectural era became rooted. During the 1960s the sphere was so widely used, it's still an industry standard.



**Solitaire™  
SRS**  
Inspired by lantern style gas luminaires, Solitaire is a classic, yet relevant to current architecture. Should a little more traditional appearance be desired, the luminous top adds definition without reducing area lighting capability.

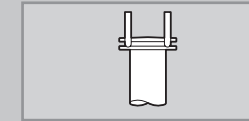


**Bounce®  
BNS**  
The Bounce luminaire design combines the look of contemporary European lanterns with the cutoff control and optical performance provided in every Kim area lighting product.

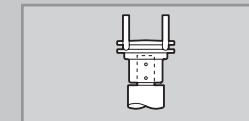


**MiniBounce™  
BNM**  
MiniBounce is ideal for traditional or contemporary architecture requiring a striking European accent, especially in commercial, retail, hospitality, and multi-family residential projects.

## 1. Select a Mount



Flush

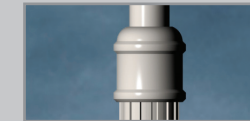


Tenon

## 2. Select a Pole



Stepped Aluminum  
Smooth  
p. 68



Stepped Aluminum  
Fluted



Round Aluminum  
p. 72

## 4. Select Options



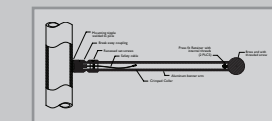
Standard & Custom Finishes  
See representative for custom colors



Decorative Base Cover  
p. 74



Traditional Base Cover  
p. 74

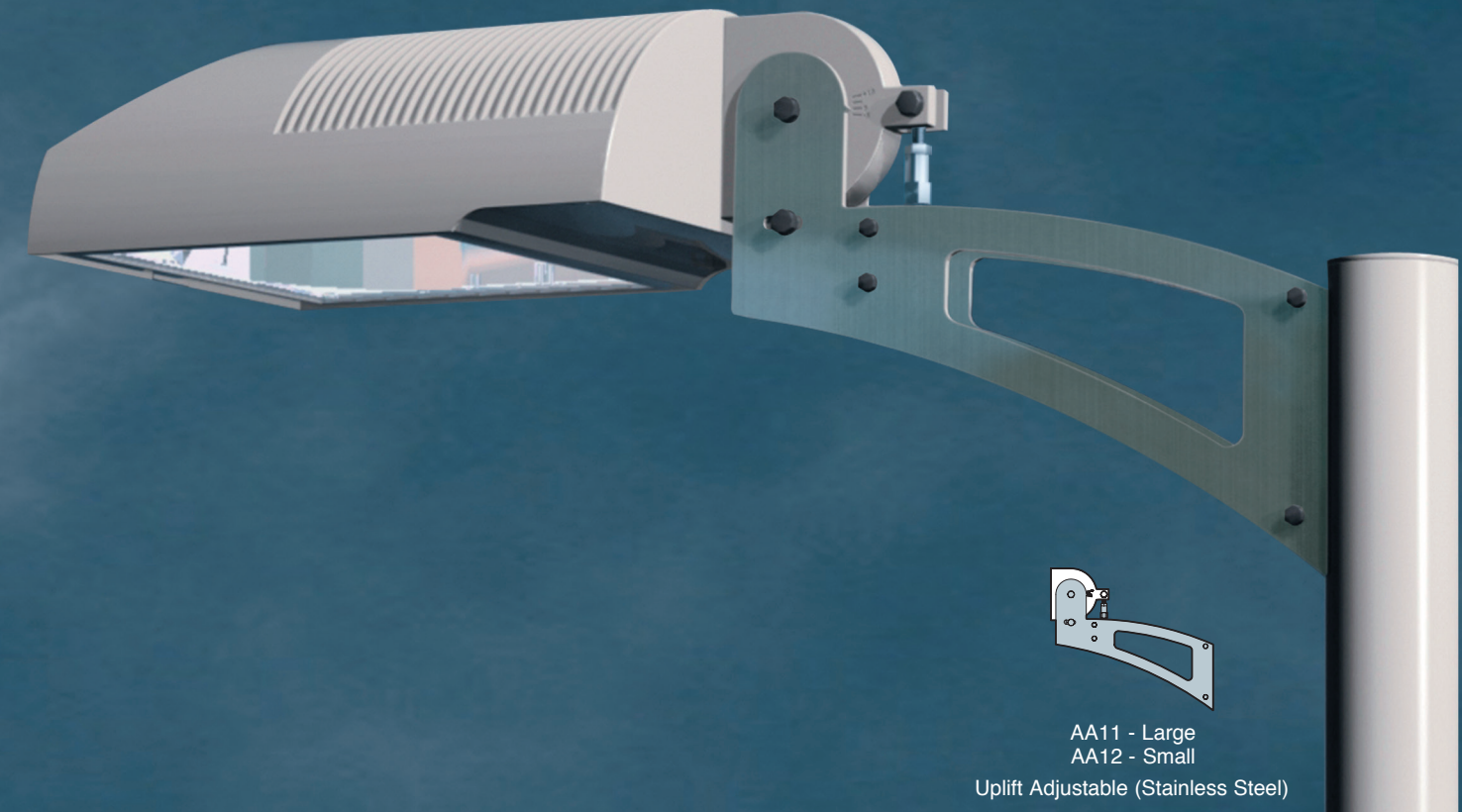


Break Away Banner Arm  
p. 51

# Contemporary Arm Series

## Modern Style and Performance

Contemporary Arm Matrix	16
Swept Solid Arm	18
Swept Hollow Arm	19
Upsweep Solid Arm	20
Upsweep Hollow Arm	21
Uplift Adjustable Arm	22
Uplift Adjustable Arm (Stainless Steel)	23
Wall Mounting	24
Arm/Fixture EPA Guide	25

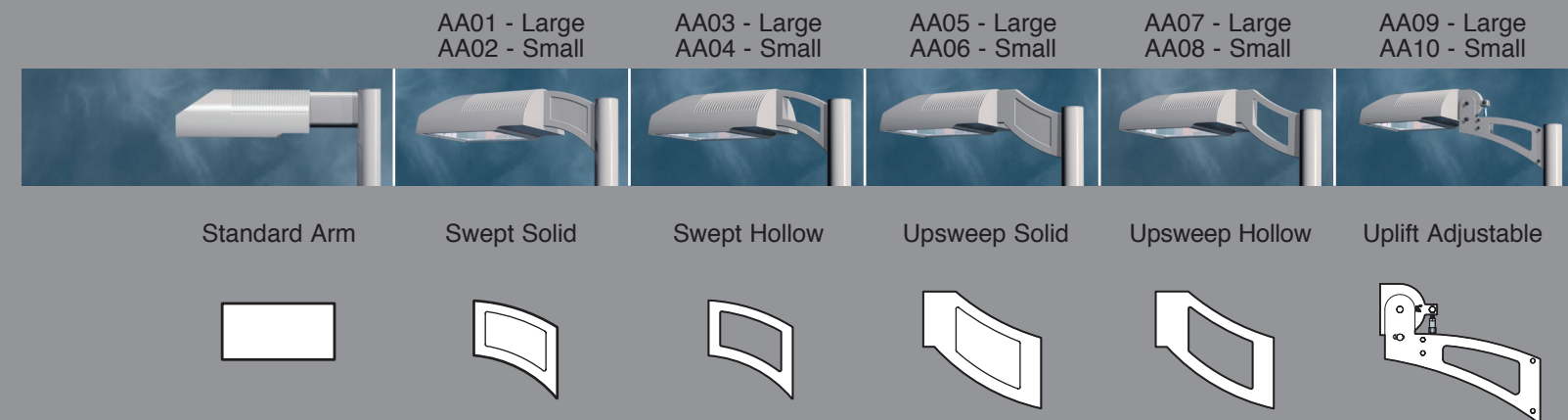


AA11 - Large  
AA12 - Small  
Uplift Adjustable (Stainless Steel)

## Architectural Arms Collection

Character. Distinction. Panache. Vitality. All these words describe the aesthetic transformation that takes place when one of Kim's new Architectural Arms is mated to a Kim Architectural Luminaire. For decades, the straight arm has been the standard in outdoor lighting, having a strictly functional purpose. Now, Kim arm-mounted fixtures can have additional architectural character by utilizing one of five distinct mounting arms. These five arms, coupled with seven Kim product families, equals 35 new looks that can be created with the finest high-performance outdoor luminaires available. In addition, each arm can be used for a matching wall mount, creating a cohesive design appearance for the entire site.

Note: Always refer to the specific luminaire catalog and the ordering information page within that catalog. Place the optional Architectural Arm catalog number as an "Option" to the pole specification.





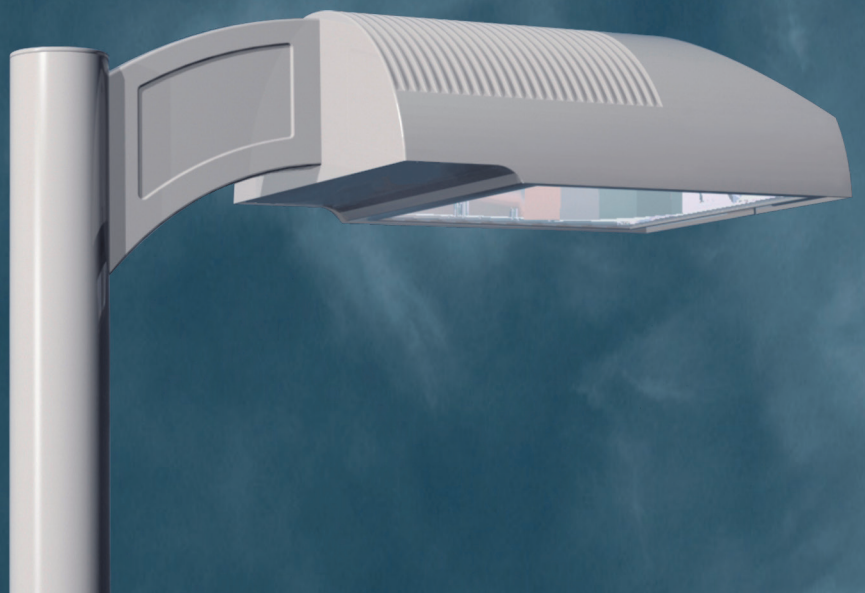
# Contemporary Arm Matrix

Arm	Archetype®	Structural®	AC Series	Entablature®	Matrix®	Curvilinear Cutoff	Vertical Lamp
<p>Swept Solid Arm - AA01</p>  <p>p. 18</p>							
<p>Swept Hollow Arm - AA03</p>  <p>p. 19</p>							
<p>Upsweep Solid Arm - AA05</p>  <p>p. 20</p>							
<p>Upsweep Hollow Arm - AA07</p>  <p>p. 21</p>							
<p>Uplift Adjustable Arm - AA09</p>  <p>p. 22</p>							
<p>Uplift Adjustable Arm - AA11</p>  <p>Stainless Steel</p> <p>p. 23</p>							

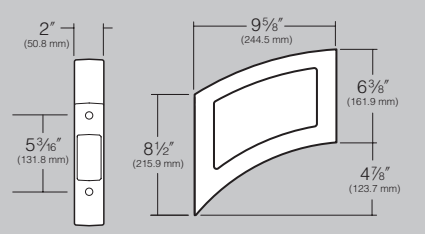


# Swept Solid Arm · AA01 / AA02

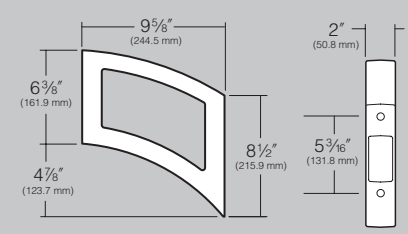
# Swept Hollow Arm · AA03 / AA04



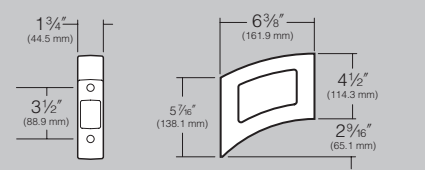
AA01 • Large



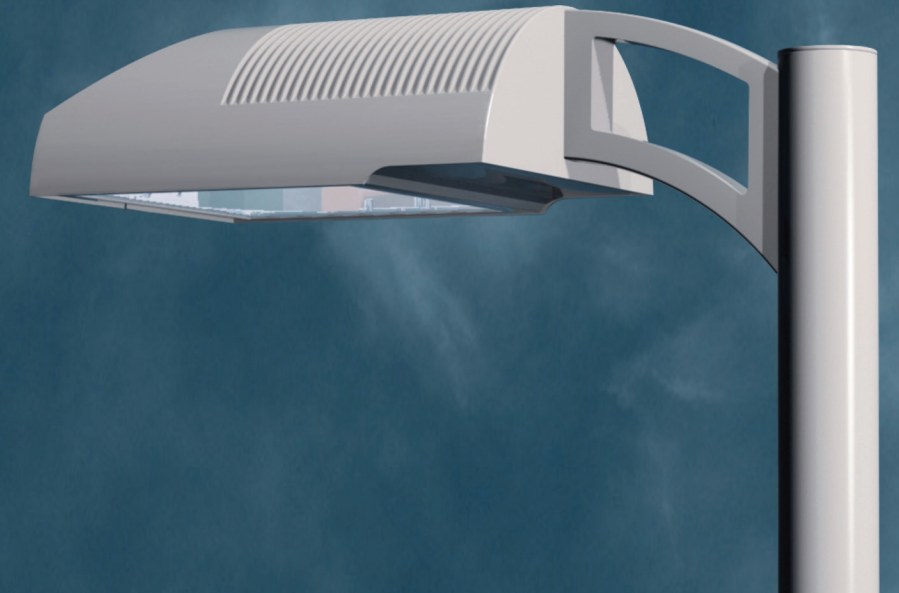
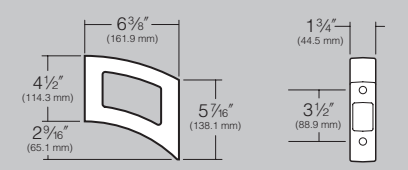
AA03 • Large



AA02 • Small



AA04 • Small

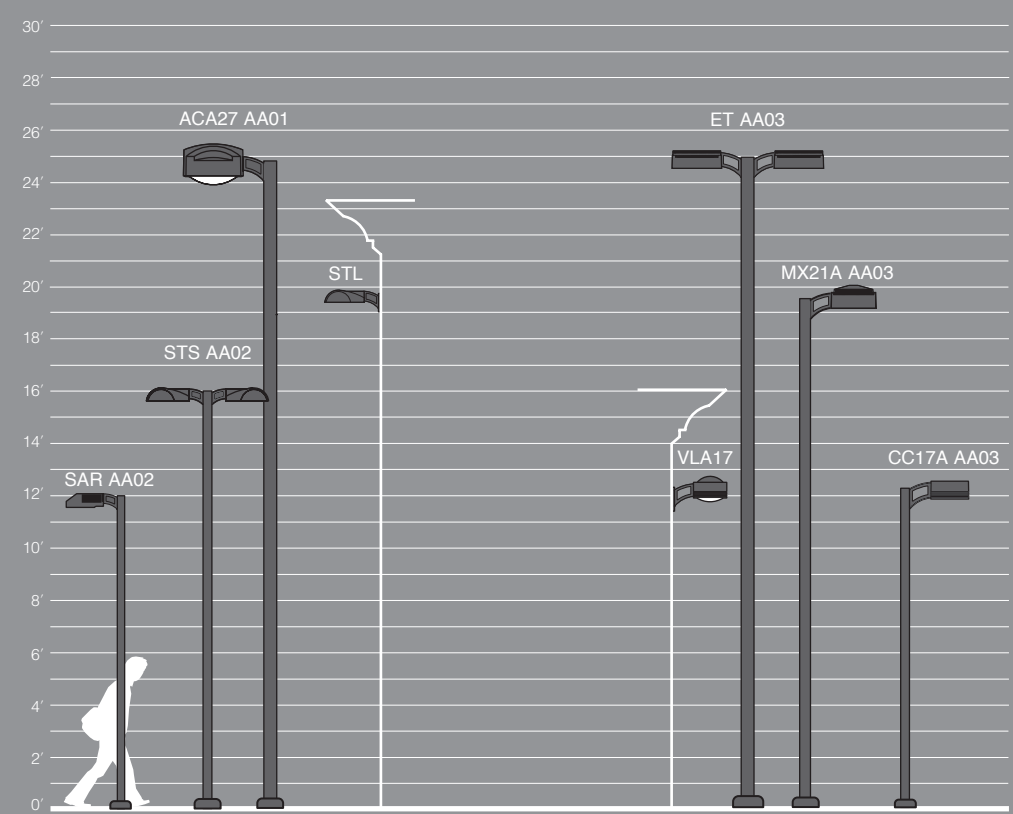


### Specifications

Arm: One-piece casting of 356 alloy, low-copper (<0.6% Cu) aluminum. Bottom of arm is open for access to mounting hardware and wiring, enclosed by a flush mounted cast aluminum cover retained by a single stainless steel screw. Attachment to pole is by concealed C" stainless steel hex head bolts threaded into a pole backing plate located inside the pole. Pole backing plate is heavy gauge zinc plated steel, and includes a wire strain relief and ground connection. For round poles, arm is circular cut for the specific pole diameter. Arm-to-luminaire attachment is by concealed C" galvanized rods threaded into the arm, projecting into the fixture where C" nuts and washers secure the mounting. Finish: Kim's premium Super TGIC thermoset polyester powder coat, 2.5 mil nominal thickness, applied over a titanated zirconium conversion coating. Arm color is always provided to match the selected fixture color.

ORDERING EXAMPLE:	Mounting	Fixture	Electrical Module	Finish	Option
	2B	AR3	250HPS277	WH	AA01
	Twin	Archetype	250HPS277V	White	Swept Solid

Note: Refer to page 25 for Arm/Fixture EPA.



### Specifications

Arm: One-piece casting of 356 alloy, low-copper (<0.6% Cu) aluminum. Bottom of arm is open for access to mounting hardware and wiring, enclosed by a flush mounted cast aluminum cover retained by a single stainless steel screw. Attachment to pole is by concealed C" stainless steel hex head bolts threaded into a pole backing plate located inside the pole. Pole backing plate is heavy gauge zinc plated steel, and includes a wire strain relief and ground connection. For round poles, arm is circular cut for the specific pole diameter. Arm-to-luminaire attachment is by concealed C" galvanized rods threaded into the arm, projecting into the fixture where C" nuts and washers secure the mounting. Finish: Kim's premium Super TGIC thermoset polyester powder coat, 2.5 mil nominal thickness, applied over a titanated zirconium conversion coating. Arm color is always provided to match the selected fixture color.

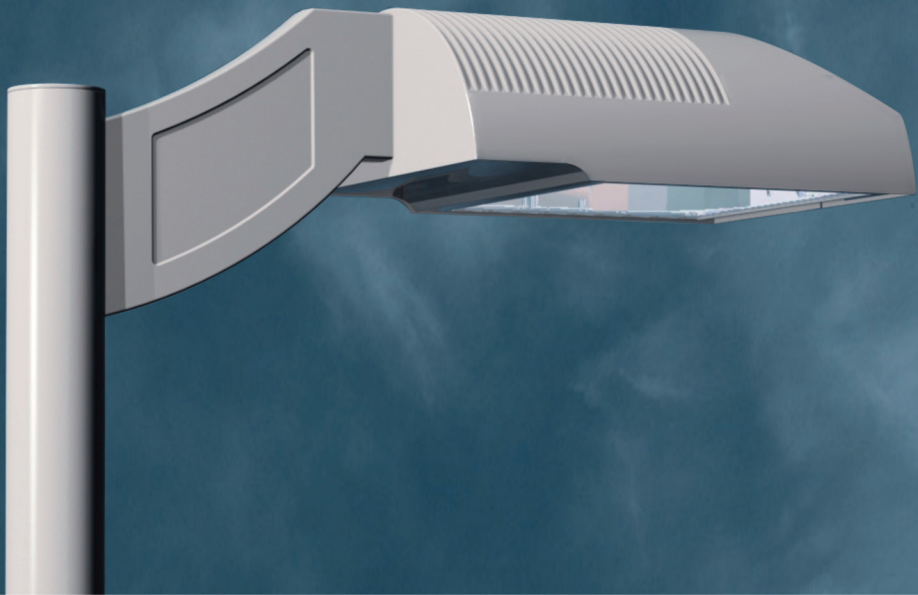
ORDERING EXAMPLE:	Mounting	Fixture	Electrical Module	Finish	Option
	2B	AR3	250HPS277	WH	AA03
	Twin	Archetype	250HPS277V	White	Swept Hollow

Note: Refer to page 25 for Arm/Fixture EPA.

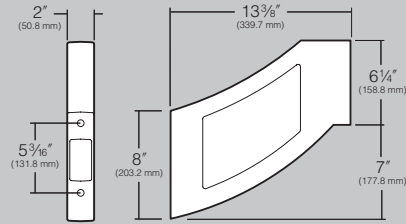


# Upsweep Solid Arm • AA05 / AA06

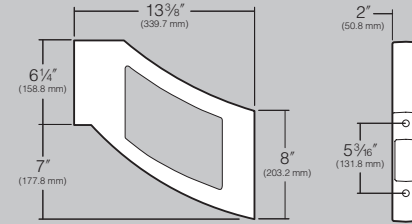
# Upsweep Hollow Arm • AA07 / AA08



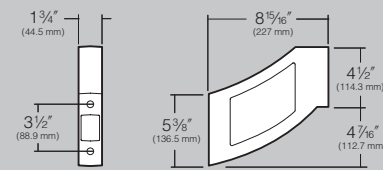
AA05 • Large



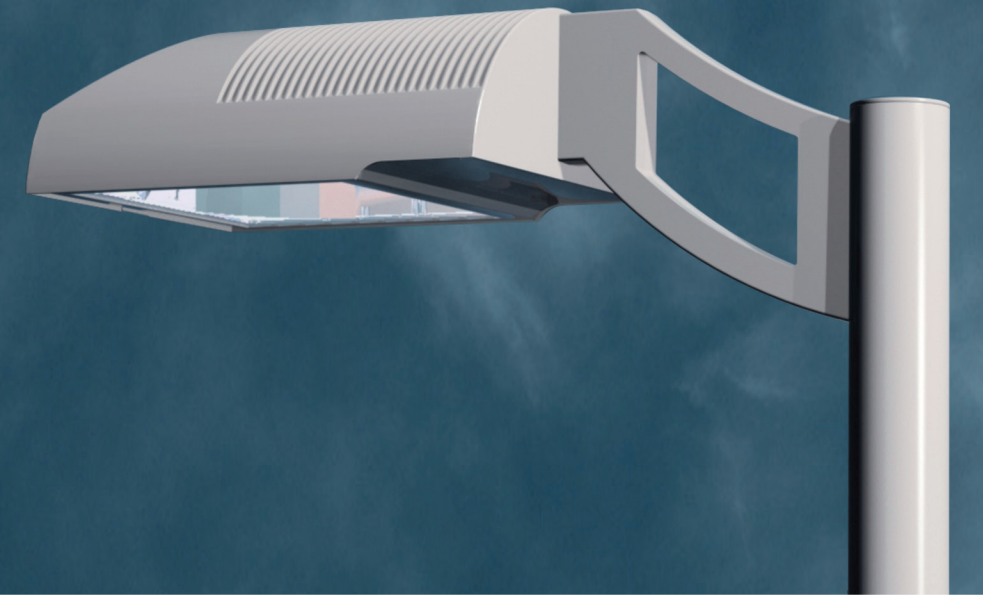
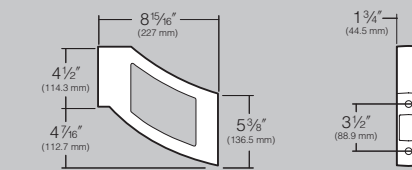
AA07 • Large



AA06 • Small



AA08 • Small



### Specifications

Arm: One-piece casting of 356 alloy, low-copper (<0.6% Cu) aluminum. Bottom of arm is open for access to mounting hardware and wiring, enclosed by a flush mounted cast aluminum cover retained by a single stainless steel screw. Attachment to pole is by concealed C" stainless steel hex head bolts threaded into a pole backing plate located inside the pole. Pole backing plate is heavy gauge zinc plated steel, and includes a wire strain relief and ground connection. For round poles, arm is circular cut for the specific pole diameter. Arm-to-luminaire attachment is by concealed C" galvanized rods threaded into the arm, projecting into the fixture where C" nuts and washers secure the mounting. Finish: Kim's premium Super TGIC thermoset polyester powder coat, 2.5 mil nominal thickness, applied over a titanated zirconium conversion coating. Arm color is always provided to match the selected fixture color.



### Specifications

Arm: One-piece casting of 356 alloy, low-copper (<0.6% Cu) aluminum. Bottom of arm is open for access to mounting hardware and wiring, enclosed by a flush mounted cast aluminum cover retained by a single stainless steel screw. Attachment to pole is by concealed C" stainless steel hex head bolts threaded into a pole backing plate located inside the pole. Pole backing plate is heavy gauge zinc plated steel, and includes a wire strain relief and ground connection. For round poles, arm is circular cut for the specific pole diameter. Arm-to-luminaire attachment is by concealed C" galvanized rods threaded into the arm, projecting into the fixture where C" nuts and washers secure the mounting. Finish: Kim's premium Super TGIC thermoset polyester powder coat, 2.5 mil nominal thickness, applied over a titanated zirconium conversion coating. Arm color is always provided to match the selected fixture color.

Mounting	Fixture	Electrical Module	Finish	Option
2B	AR3	250HPS277	WH	AA05
Twin	Archetype	250HPS277V	White	Upsweep Solid

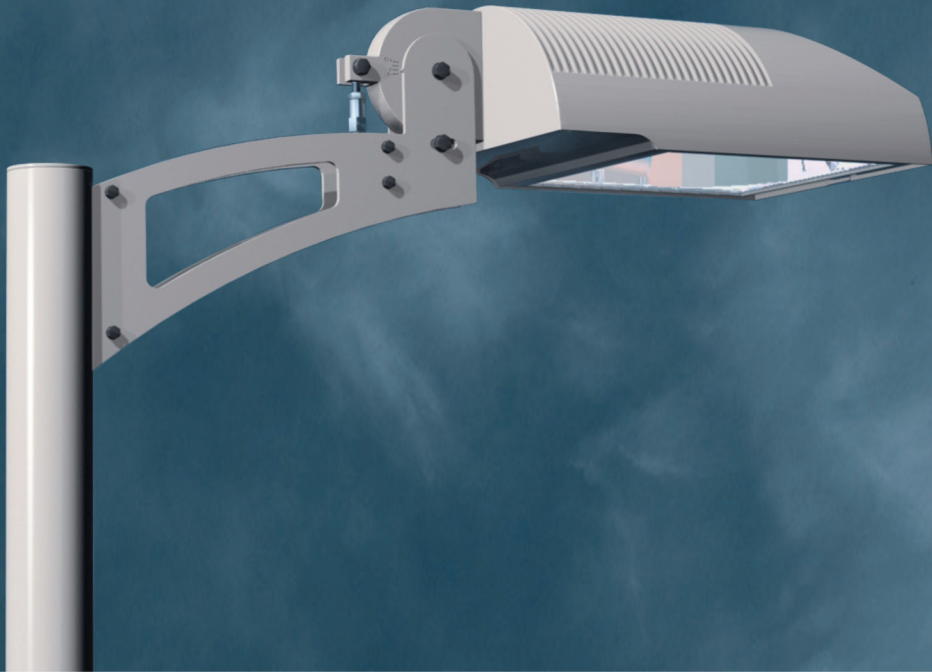
Note: Refer to page 25 for Arm/Fixture EPA.

Mounting	Fixture	Electrical Module	Finish	Option
2B	AR3	250HPS277	WH	AA07
Twin	Archetype	250HPS277V	White	Upsweep Hollow

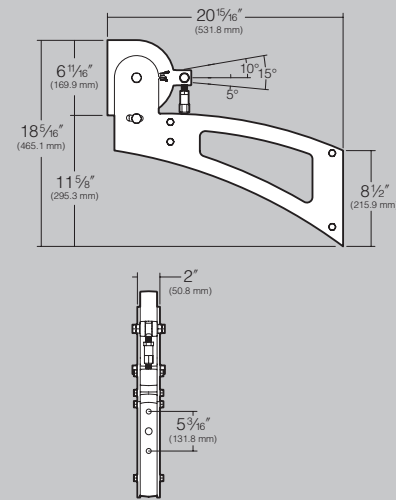
Note: Refer to page 25 for Arm/Fixture EPA.

# Uplift Adjustable Arm • AA09 / AA10

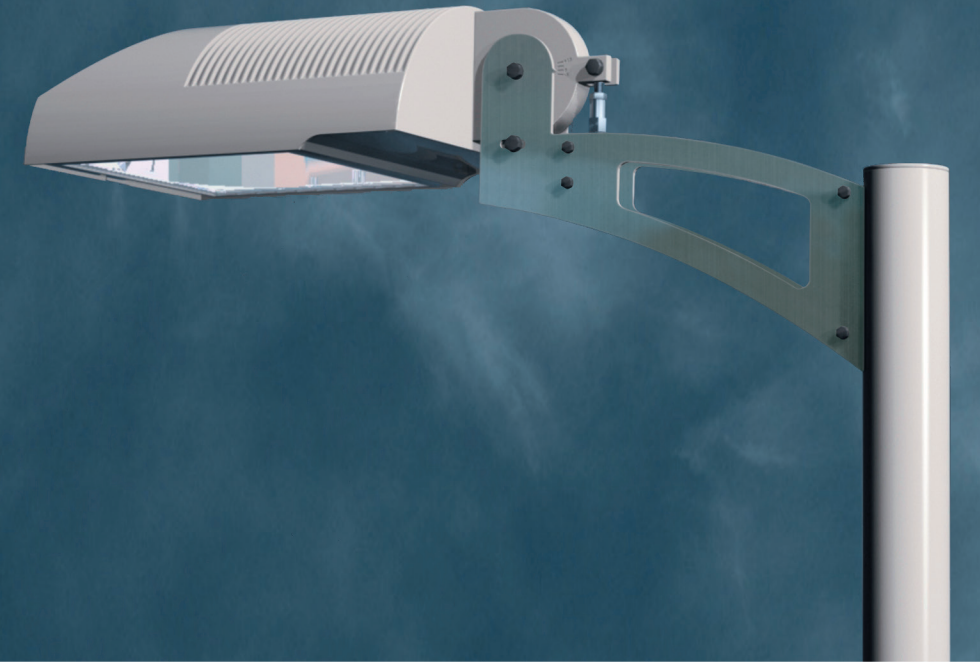
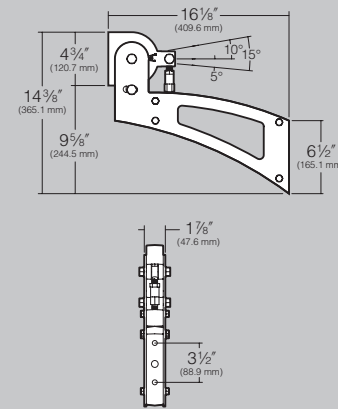
# Uplift Adjustable Arm • Stainless Steel • AA11 / AA12



AA09/AA11 • Large



AA10/AA12 • Small



**Specifications**

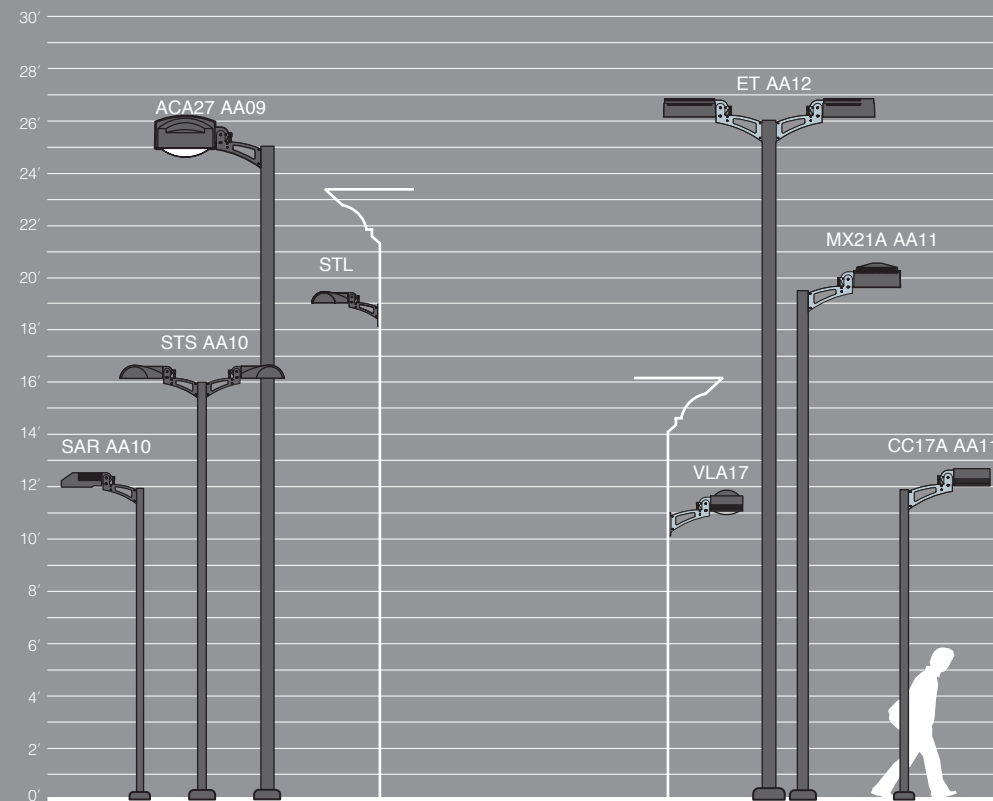
Arm: Constructed of cast aluminum spacer blocks sandwiched between stamped aluminum side panels. Spacer blocks are cast of 356 alloy, low-copper (<0.6% Cu) aluminum. Side panels are stamped from 6061-T1 aluminum sheet, .188" thick for small arm, and .250" thick for large arm. A stainless steel turnbuckle allows for upward fixture tilt from horizontal to +5°, -10° in unlimited smooth increments. Arm assembly is held together by C" stainless steel bolts with a black oxide finish. Wiring from the luminaire to the pole is braided stainless steel jacketed cable. Attachment to pole is by C" stainless steel hex head bolts threaded into a pole backing plate located inside the pole. Pole backing plate is heavy gauge zinc plated steel, and includes a wire strain relief and ground connection. For round poles, arm is circular cut for the specific pole diameter. Arm-to-luminaire attachment is by concealed C" galvanized rods threaded into the arm, projecting into the fixture where C" nuts and washers secure the mounting.

Finish: Kim's premium Super TGIC thermoset polyester powder coat, 2.5 mil nominal thickness, applied over a titanated zirconium conversion coating. Arm color is always provided to match the selected fixture, except for the stainless steel model that has natural brushed side panels.

**Ordering Information**

Mounting	Fixture	Electrical Module	Finish	Option
2B / AR3	250HPS277	WH	AA09	
Twin	Archetype	250HPS277V	White	Uplift Adjustable

Note: Refer to page 25 for Arm/Fixture EPA.



**Specifications**

Arm: Constructed of cast aluminum spacer blocks sandwiched between stamped stainless steel side panels. Spacer blocks are cast of 356 alloy, low-copper (<0.6% Cu) aluminum. Side panels are stamped from .125" thick stainless sheet with a natural brushed finish. A stainless steel turnbuckle allows for upward fixture tilt from horizontal to +5°, -10° in unlimited smooth increments. Arm assembly is held together by C" stainless steel bolts with a black oxide finish. Wiring from the luminaire to the pole is braided stainless steel jacketed cable. Attachment to pole is by C" stainless steel hex head bolts threaded into a pole backing plate located inside the pole. Pole backing plate is heavy gauge zinc plated steel, and includes a wire strain relief and ground connection. For round poles, arm is circular cut for the specific pole diameter. Arm-to-luminaire attachment is by concealed C" galvanized rods threaded into the arm, projecting into the fixture where C" nuts and washers secure the mounting.

Finish: Kim's premium Super TGIC thermoset polyester powder coat, 2.5 mil nominal thickness, applied over a titanated zirconium conversion coating. Arm color is always provided to match the selected fixture, except for the stainless steel model that has natural brushed side panels.

**Ordering Information**

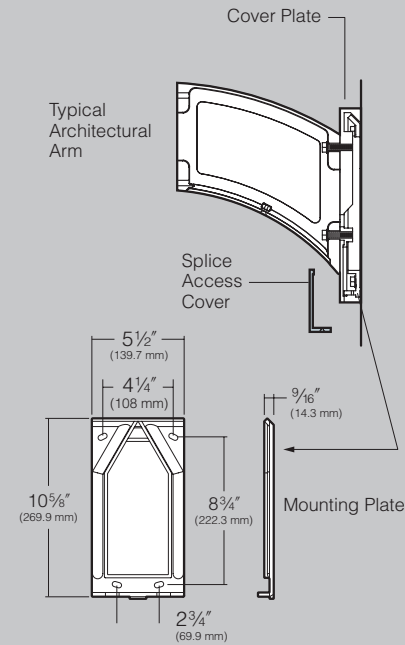
Mounting	Fixture	Electrical Module	Finish	Option
2B / AR3	250HPS277	WH	AA11	
Twin	Archetype	250HPS277V	White	Uplift Adjustable

Note: Refer to page 25 for Arm/Fixture EPA.



# Wall Mounting • For All Arms

# Arm/Fixture EPA Guide



### Mounting Configuration

Plan Views:



Cat. No.	1A	2B	2L	3T	3Y	4C
----------	----	----	----	----	----	----

### The Archetype®

Fixture	Architectural Arm	Mounting Cat. No.					
		1A	2B	2L	3T	3Y	4C
<b>SAR</b>	Standard	0.7	1.4	1.2	1.9	1.9	2.5
	AA02	0.8	1.6	1.3	2.1	2.1	2.7
	AA04	0.7	1.4	1.2	1.9	1.9	2.5
	AA06	1.0	2.0	1.5	2.5	2.5	3.0
	AA08	0.8	1.6	1.3	2.1	2.1	2.7
	AA10/AA12	1.2	2.4	1.7	2.9	2.9	3.5
<b>AR</b>	Standard	1.2	2.4	2.0	3.2	3.2	3.9
	AA01	1.4	2.8	2.2	3.6	3.6	4.3
	AA03	1.1	2.2	1.9	3.0	3.0	3.7
	AA05	1.7	3.4	2.5	4.2	4.2	4.9
	AA07	1.2	2.4	2.0	3.2	3.2	3.9
	AA09/AA11	1.9	3.8	2.7	4.6	4.6	5.3

### The Entablature®

Fixture	Architectural Arm	Mounting Cat. No.					
		1A	2B	2L	3T	3Y	4C
<b>SET</b>	Standard	1.0	2.0	1.5	2.4	2.2	2.7
	AA02	1.1	2.2	1.6	2.6	2.4	2.9
	AA04	1.0	2.0	1.5	2.4	2.2	2.7
	AA06	1.2	2.4	1.7	2.9	2.7	3.2
	AA08	1.0	2.0	1.5	2.4	2.2	2.7
	AA10/AA12	1.4	2.8	1.9	3.3	3.1	3.7
<b>ET</b>	Standard	1.8	3.6	2.6	4.1	3.9	4.7
	AA01	2.0	4.0	2.8	4.6	4.4	5.2
	AA03	1.6	3.2	2.4	3.8	3.6	4.4
	AA05	2.2	4.4	3.0	4.8	4.6	5.4
	AA07	1.8	3.6	2.6	4.1	3.9	4.7
	AA09/AA11	2.3	4.6	3.1	5.2	5.0	5.8

### Structural™

Fixture	Architectural Arm	Mounting Cat. No.					
		1A	2B	2L	3T	3Y	4C
<b>STS</b>	Standard	1.1	2.2	1.5	2.6	2.6	2.7
	AA02	1.0	2.0	1.4	2.4	2.4	2.5
	AA04	0.9	1.8	1.3	2.2	2.2	2.3
	AA06	1.1	2.2	1.5	2.6	2.6	2.7
	AA08	1.0	2.0	1.4	2.4	2.4	2.5
	AA10/AA12	1.3	2.6	1.8	3.1	3.1	3.5
<b>STL</b>	Standard	2.2	4.4	2.8	5.0	5.0	5.3
	AA01	2.2	4.4	2.8	5.0	5.0	5.3
	AA03	1.8	3.6	2.4	4.2	4.2	4.5
	AA05	2.4	4.8	3.0	5.4	5.4	5.7
	AA07	1.9	3.8	2.5	4.4	4.4	4.7
	AA09/AA11	2.6	5.2	3.2	5.8	5.8	6.1
<b>STX</b>	Standard	3.5	7.0	4.5	8.0	8.0	8.5
	AA01	3.1	6.2	4.1	7.2	7.2	7.7
	AA03	2.7	5.4	3.7	6.4	6.4	6.9
	AA05	3.3	6.6	4.3	7.6	7.6	7.9
	AA07	2.8	5.6	3.8	6.6	6.6	6.9
	AA09/AA11	3.5	7.0	4.5	8.0	8.0	8.5

### Matrix™

Fixture	Architectural Arm	Mounting Cat. No.					
		1A	2B	2L	3T	3Y	4C
<b>MX21A</b>	Standard	2.1	4.2	3.8	5.1	-	6.0
	AA01	2.2	4.4	3.9	5.3	-	6.2
	AA03	1.8	3.6	3.5	4.5	-	5.4
	AA05	2.4	4.8	4.1	5.7	-	6.6
	AA07	1.9	3.8	3.6	4.7	-	5.6
	AA09/AA11	2.6	5.2	4.3	6.1	-	7.0

### Curvilinear Cutoff

Fixture	Architectural Arm	Mounting Cat. No.					
		1A	2B	2L	3T	3Y	4C
<b>CC17A</b>	Standard	0.9	1.8	1.6	2.5	2.5	2.8
	AA01	1.3	2.6	2.0	3.3	3.3	3.6
	AA03	1.0	2.0	1.7	2.7	2.7	3.0
	AA05	1.5	3.0	2.2	3.7	3.7	4.0
	AA07	1.1	2.2	1.8	2.9	2.9	3.2
	AA09/AA11	1.8	3.6	2.5	4.3	4.3	4.6
<b>CC21A</b>	Standard	1.2	2.4	2.2	3.4	3.4	3.9
	AA01	1.6	3.2	2.6	4.2	4.2	4.7
	AA03	1.3	2.6	2.3	3.6	3.6	4.1
	AA05	1.8	3.6	2.8	4.6	4.6	5.1
	AA07	1.4	2.8	2.4	3.8	3.8	4.3
	AA09/AA11	2.1	4.2	3.1	5.2	5.2	5.7
<b>CC25A</b>	Standard	1.5	3.0	2.7	4.3	4.3	4.9
	AA01	1.7	3.4	2.9	4.6	4.6	5.1
	AA03	1.4	2.8	2.6	4.1	4.1	4.7
	AA05	1.9	3.8	3.1	5.1	5.1	5.7
	AA07	1.5	3.0	2.7	4.3	4.3	4.9
	AA09/AA11	2.2	4.4	3.4	5.4	5.4	6.9
<b>CC29A</b>	Standard	1.8	3.6	3.3	5.2	5.2	5.9
	AA01	2.0	4.0	3.5	5.5	5.5	6.2
	AA03	1.7	3.4	3.2	4.9	4.9	5.6
	AA05	2.2	4.4	3.7	5.9	5.9	6.6
	AA07	1.8	3.6	3.3	5.2	5.2	5.9
	AA09/AA11	2.5	5.0	4.0	6.5	6.5	7.2

### Vertical Lamp

Fixture	Architectural Arm	Mounting Cat. No.					
		1A	2B	2L	3T	3Y	4C
<b>VLA17</b>	Standard	0.9	1.8	1.6	2.5	2.5	2.8
	AA01	1.3	2.6	2.0	3.3	3.3	3.6
	AA03	1.0	2.0	1.7	2.7	2.7	3.0
	AA05	1.5	3.0	2.2	3.7	3.7	4.0
	AA07	1.1	2.2	1.8	2.9	2.9	3.2
	AA09/AA11	1.8	3.6	2.5	4.3	4.3	4.6
<b>VLA21</b>	Standard	1.2	2.4	2.2	3.4	3.4	3.9
	AA01	1.6	3.2	2.6	4.2	4.2	4.7
	AA03	1.3	2.6	2.3	3.6	3.6	4.1
	AA05	1.8	3.6	2.8	4.6	4.6	5.1
	AA07	1.4	2.8	2.4	3.8	3.8	4.3
	AA09/AA11	2.1	4.2	3.1	5.2	5.2	5.7
<b>VLA25</b>	Standard	1.5	3.0	2.7	4.3	4.3	4.9
	AA01	1.7	3.4	2.9	4.6	4.6	5.1
	AA03	1.4	2.8	2.6	4.1	4.1	4.7
	AA05	1.9	3.8	3.1	5.1	5.1	5.7
	AA07	1.5	3.0	2.7	4.3	4.3	4.9
	AA09/AA11	2.2	4.4	3.4	5.4	5.4	6.9
<b>VLA29</b>	Standard	1.8	3.6	3.3	5.2	5.2	5.9
	AA01	2.0	4.0	3.5	5.5	5.5	6.2
	AA03	1.7	3.4	3.2	4.9	4.9	5.6
	AA05	2.2	4.4	3.7	5.9	5.9	6.6
	AA07	1.8	3.6	3.3	5.2	5.2	5.9
	AA09/AA11	2.5	5.0	4.0	6.5	6.5	7.2

### AC Series

Fixture	Architectural Arm	Mounting					
		1A	2B	2L	3T	3Y	4C
<b>ACA21</b>	Standard	1.8	3.6	2.8	4.0	4.0	4.2
	AA01	2.0	4.0	3.0	4.4	4.4	4.6
	AA03	1.6	3.2	2.6	3.6	3.6	3.8
	AA05	2.2	4.4	3.2	4.8	4.8	5.0
	AA07	1.7	3.4	2.7	3.8	3.8	4.0
	AA09/AA11	2.4	4.8	3.4	5.2	5.2	5.4
<b>ACA27</b>	Standard	2.7	5.4	3.6	5.9	5.9	6.3
	AA01	2.7	5.4	3.6	5.9	5.9	6.3
	AA03	2.3	4.6	3.2	5.1	5.1	5.4
	AA05	2.9	5.8	3.8	6.3	6.3	6.7
	AA07	2.4	4.8	3.3	5.3	5.3	5.7
	AA09/AA11	3.1	6.2	4.0	6.7	6.7	7.1

### Specifications

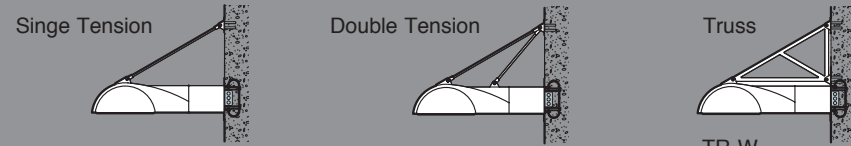
A cast mounting plate of 356 alloy, low-copper (<0.6% Cu) aluminum, is mounted to the wall with bolts (by others). Fixture and arm are mounted to a cast 356 alloy aluminum cover plate before attaching to the wall mounting plate. The fixture-arm-cover plate assembly is hooked to the wall mounting plate, and secured with stainless steel screws provided. After mounting to the wall, field splices are made at the opening in the cover plate, then covered by a cast 356 alloy aluminum plate that blends with the cover plate design. Complete fixture-arm-cover plate assembly can therefore be mounted before field splices are made. Cover plate is finished to match arm and fixture powder coat color.

Caution: Structural integrity of mounting plate attachment to wall is by others.

Mounting	Fixture	Electrical Module	Finish	Option
1W	AR3	250HPS277	WH	AA01
Wall	Archetype	250HPS277V	White	Swept Solid

### Wall Mounted Structural Options

For use with Structural Luminaire standard straight arm only.



TSP-W: Rod and clevis painted to match fixture.  
TSN-W: Stainless Steel rod with nickel plated clevis.

TSP-W: Rod and clevis painted to match fixture.  
TSN-W: Stainless Steel rod with nickel plated clevis.

TR-W



# Heritage Arm Series

Heritage Arm Matrix	28
Post Top Crook Arm	32
Side Pole Crook Arm	33
Post Top Swept Cast Arm	34
Side Pole Swept Cast Arm	35
Side Pole S Shaped Up Cast Arm	36
Side Pole S Shaped Down Cast Arm	37
Side Pole Neo-Classic Arm	38
Side Pole Ribbon with Top Scroll	39
Side Pole Ribbon Arm with Bottom Scroll	40
Side Pole Ribbon Arm with Top Gusset	41
Side Pole Ribbon Arm with Bottom Gusset	42
Side Pole Ribbon Arm with Top Brace	43
Side Pole Ribbon Arm with Bottom Brace	44
Side Pole Ribbon Arm with Top Brace & Bottom Scroll	45
Extruded Arm with Top Brace & Bottom Gusset	46
Heritage Wall Mount Option Specifications	47
Wall Mount Options	48



## Period Style. Modern Performance.



Post Top Crook

Side Pole Crook

Post Top Swept Cast Arm

Side Pole Swept Cast Arm

Side Pole S-Shaped Up Cast Arm



Side Pole S-Shaped Down Cast Arm

Side Pole Neo-Classical Arm

Side Pole Ribbon Arm with Top Scroll

Side Pole Ribbon Arm with Bottom Scroll

Side Pole Ribbon Arm with Top Gusset



Side Pole Ribbon Arm with Bottom Gusset

Side Pole Ribbon Arm with Top Brace

Side Pole Ribbon Arm with Bottom Brace

Side Pole Ribbon Arm with Top Brace and Bottom Scroll

Extruded Arm with Top Brace and Bottom Gusset

## Kim Lighting's Heritage Arms Collection

Unlike contemporary luminaires where the fixture design is dominant over the pole, heritage style luminaires rely on the pole and arm to complete the overall design statement. Kim's heritage style luminaires are designed to be simple and elegant fixtures that are universal in application, and not period-specific. Now, Kim has applied this same design approach to poles and arms, creating a system of components that assemble into a broad vocabulary of looks that complement Kim heritage style luminaires. In combination, Kim heritage style luminaires, arms, and poles provide an elegant outdoor lighting design statement that will stand the test of time.

Like all Kim products, these poles and arms are constructed of heavy cast and extruded aluminum components. Only low-copper-content aluminum is used to promote maximum longevity in the outdoor environment, and the finish is a premium powder coating applied over a titanated zirconium conversion coating for maximum adhesion. Simple, elegant and timeless, the Kim Era® Collection of products can provide a solution for every outdoor lighting application.

### Standard Specifications on all Kim Lighting Heritage Arms







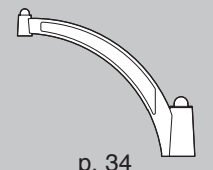





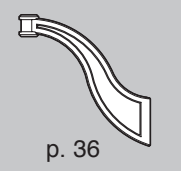

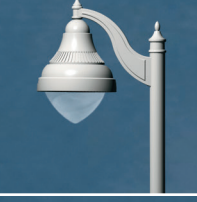



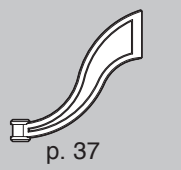






Finish: Premium Super TGIC thermoset polyester powder coating, 2.5 mil nominal thickness, applied over a Titanated Zirconium Conversion Coating. Arm color is always provided to match the selected pole and luminaire color.

Optional Wall Mount for HA02, HA11, HA12, HA13, HA14, HA31, HA32, HA33, HA34: A cast aluminum mounting bracket is furnished for attachment to the wall. Cast aluminum wall mounting plate pre-attaches to wall with bolts. (Attachment bolts and wall strength by others.) Cast aluminum fixture mounting arm is mounted to cast aluminum wall plate with stainless steel bolts or rods (supplied with mounting arm). Complete arm assembly can be mounted before field wiring splices are made. Wall cover plate has a removable cast aluminum cover for field splice access. All components are mechanically attached with no visible welds or fasteners. All wall components are finished to match fixture.

Note: Always refer to the specific luminaire catalog, and the ordering information page within that catalog. Place the optional Era® Collection Arm number between the Mounting Configuration and Fixture catalog numbers.



# Heritage Arm Matrix - HA01 through HA14

Arm	Era®	Era® Acorn	Era® Bell	Era® Lantern - Top Mount	Era® Lantern - Bottom Mount	Solitaire®	NeoSphere®
Post Top Crook Arm - HA01  p. 32					n/a	n/a	n/a
Side Pole Crook Arm - HA02  p. 33					n/a	n/a	n/a
Post Top Swept Cast Arm - HA03  p. 34					n/a	n/a	n/a
Side Pole Swept Cast Arm - HA11  p. 35							
Side Pole S-Shaped Up Cast Arm - HA12  p. 36							
Side Pole S-Shaped Down Cast Arm - HA13  p. 37	n/a	n/a	n/a	not recommended			
Side Pole Neo-Classic - HA14  p. 38					n/a	n/a	n/a



# Heritage Arm Matrix - HA31 through HA38

Arm	Era®	Era® Acorn	Era® Bell	Era® Lantern - Top Mount	Era® Lantern - Bottom Mount	Solitaire®	NeoSphere®
<p>Side Pole Ribbon Arm with Top Scroll - HA31</p>  <p>p. 39</p>					not recommended	n/a	n/a
<p>Side Pole Ribbon Arm with Bottom Scroll - HA32</p>  <p>p. 40</p>	n/a	n/a	n/a	not recommended			
<p>Side Pole Ribbon Arm with Top Gusset - HA33</p>  <p>p. 41</p>					not recommended	n/a	n/a
<p>Side Pole Ribbon Arm with Bottom Gusset - HA34</p>  <p>p. 42</p>	n/a	n/a	n/a	not recommended			
<p>Side Pole Ribbon Arm with Top Brace - HA35</p>  <p>p. 43</p>					not recommended	n/a	n/a
<p>Side Pole Ribbon Arm with Bottom Brace - HA36</p>  <p>p. 44</p>	n/a	n/a	n/a	n/a			
<p>Side Pole Ribbon Arm with Top Brace &amp; Bottom Scroll - HA37</p>  <p>p. 45</p>					not recommended	n/a	n/a
<p>Side Pole Ribbon Arm with Top Brace &amp; Bottom Gusset - HA38</p>  <p>p. 46</p>					not recommended	n/a	n/a

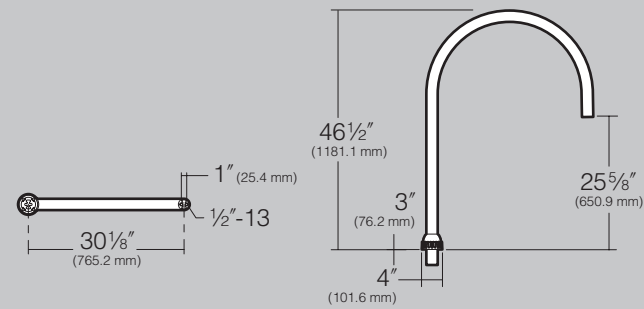


# Post Top Crook Arm • HA01S / HA01L

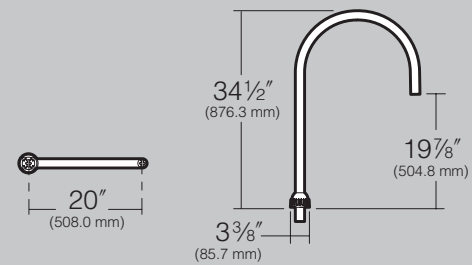
# Side Mount Crook Arm • HA02S / HA02L



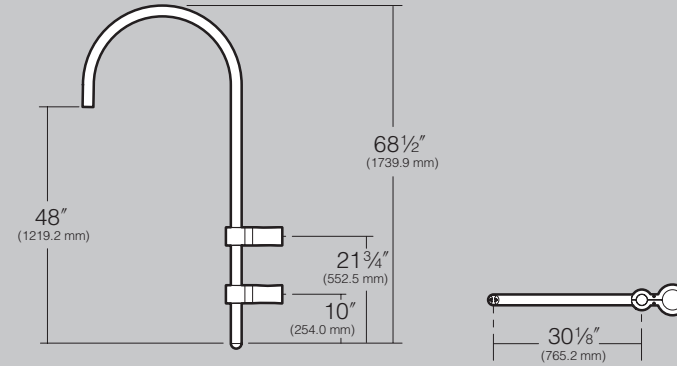
HA01L • Large



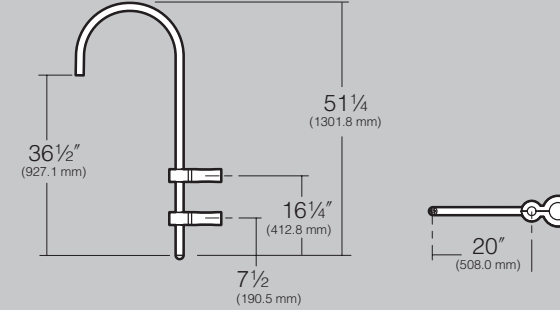
HA01S • Small



HA02L • Large



HA02S • Small



## Specifications

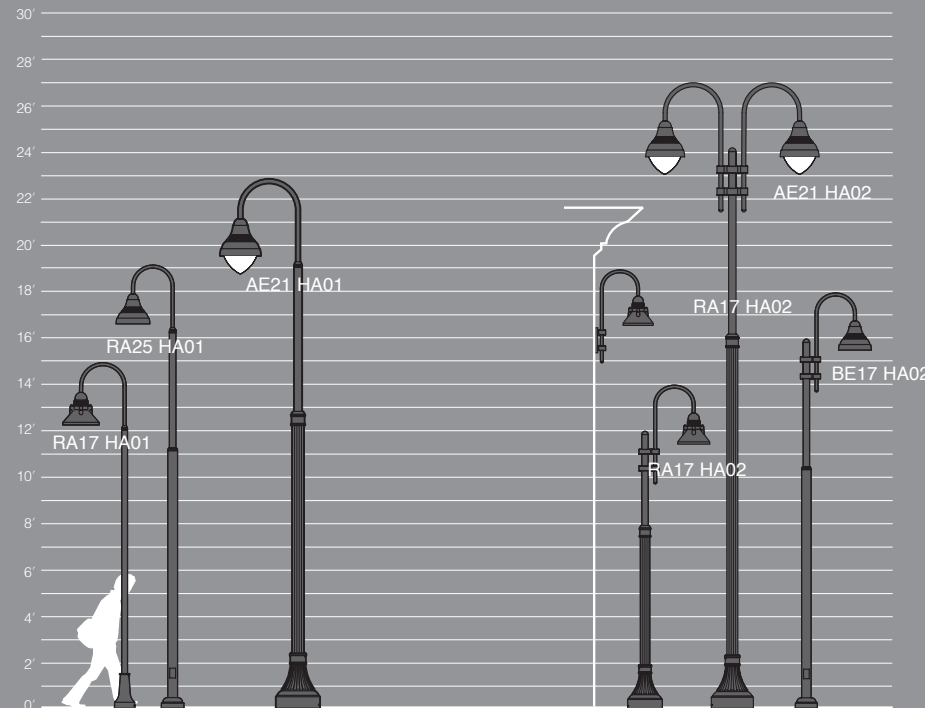
Arm: One-piece, extruded aluminum, pole top mounted crook arm with cast hub and cover. Crook Arm slip fits into, and is secured to an internal extruded pole adaptor with stainless steel allen-head cap bolts. Stainless steel bolts secure cover to internal extruded pole adaptor. Arm-to-luminaire attachment is by concealed stainless steel bolts, projecting into the crook arm to secure the mounting. Small arm utilizes C" studs and large arm utilizes K" studs.

Pole Mount: Small arms mount to pole top O.D. of 3.4". Large arms mount to pole top O.D. of 4". Note: Pole must have internal pole adaptor.

ORDERING EXAMPLE: HSAS20-534188A - HA01S / WH  
 Pole Post Top White Crook

Plan View:   
 Mounting Cat. No.: 1A 1A 1A  
 Arm/Fixture EPA: HA01L - RA25: 1.8 • AE21/BE21: 1.7 • LET26: 1.9  
 HA01S - RA17: 1.1 • AE17/BE17: 1.0 • LET19: 1.3

Note: Refer to page 75 for Wind Map, page 76 for Optional Tenon Mount (Poles by Others) and page 78 for Heritage Optical Centerline Matrix.



## Specifications

Arm: One-piece, extruded aluminum, side-mounted crook arm with cast aluminum covers. Crook Arm is secured to the pole with C" stainless steel rods, nuts and washers. Stainless steel rods thread into a pole backing plate located inside the pole. Pole backing plate is heavy gauge zinc plated steel, and includes a wire strain relief and grounding connection. Stainless Steel bolts secure 2-piece decorative covers to pole adaptor. Arm-to-luminaire attachment is by concealed stainless steel rods, nuts and washers, projecting into the crook arm to secure the mounting. Small arm utilizes C" studs and large arm utilizes K" studs.

Optional Wall Mount: (See page 49) Cast aluminum wall mounting plate pre-attaches to wall with bolts (by others). A cast cover with crook attachments hangs on mounting plate during field wiring and fastening. Splice cover supplied.

Pole Mount: Small arms mount to pole top O.D. of 3.4", 4", 5", 6". Large arms mount to pole top O.D. of 4", 5", 6".

ORDERING EXAMPLE: HSAF20-64188B - HA02L / WH  
 Pole Side Mount White Crook

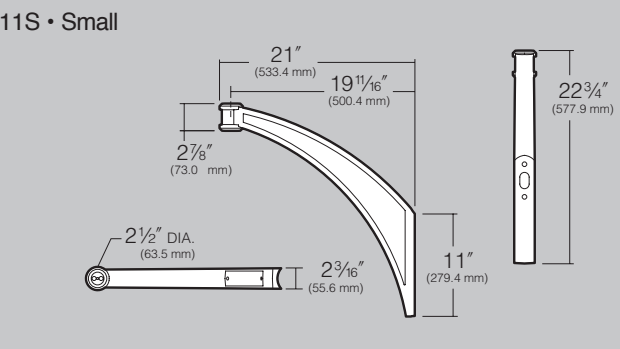
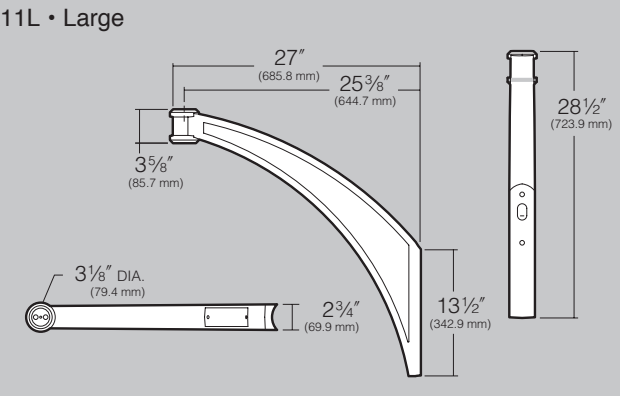
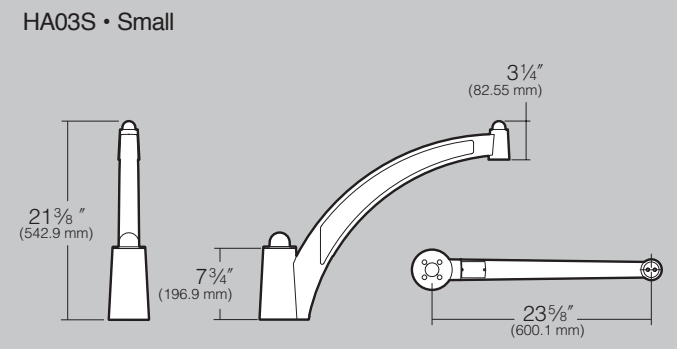
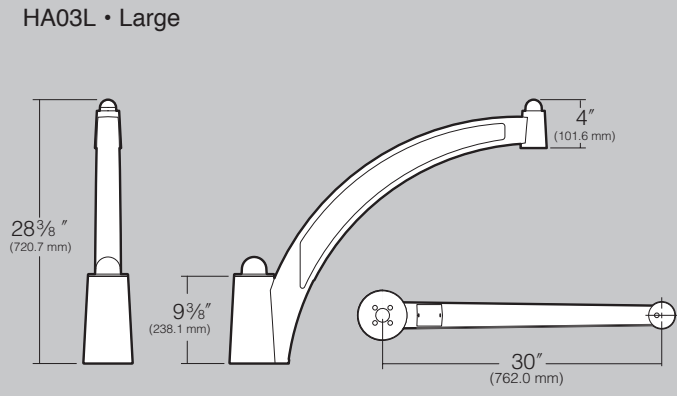
## Mounting Configuration

Plan View:   
 Mounting Cat. No.: 1A 2B 3Y 4C 1A 2B 3Y 4C  
 Arm/Fixture EPA: HA02L - RA25: 1.9, 3.8, 5.1, 5.9 • AE21/BE21: 1.8, 3.6, 4.8, 5.5  
 HA02S - LET19: 1.5, 3.0, 4.0, 4.5 • HA02L-LET26: 2.0, 4.0, 5.2, 6.0  
 HA02S - RA17: 1.3, 2.6, 3.5, 3.9 • AE17/BE17: 1.2, 2.4, 3.2, 3.6

Note: Refer to page 75 for Wind Map, page 76 for Optional Tenon Mount (Poles by Others) and page 78 for Heritage Optical Centerline Matrix.

# Post Top Swept Cast Arm · HA03S / HA03L

# Side Mount Swept Cast Arm · HA11S / HA11L



HAF2 p. 74  
 Optional Finial: Traditional style finial available to close off mounting hub opposite the fixture.

**Specifications**

Arm: Cast aluminum arm and pole top fitter. Pole top fitter secured to an internal extruded pole adaptor with stainless steel bolts. Arm is secured to the pole top fitter with stainless steel bolts. Cast arm is open for access to wiring connections and mounting bolts, and enclosed by a flush mounted cast aluminum cover secured with stainless steel screws. Arm-to-luminaire attachment is by concealed stainless steel rods, projecting into the fixture where nuts and washers secure the mounting. Small arm utilizes C" studs and large arm utilizes K" studs.

Pole Mount: Small arms mount to pole top O.D. of 3.4". Large arms mount to pole top O.D. of 4".  
 Note: Pole must have internal pole adaptor.

ORDERING EXAMPLE: HSAS25-64188B - HA03L / WH  
 Pole Post Top White Swept Cast

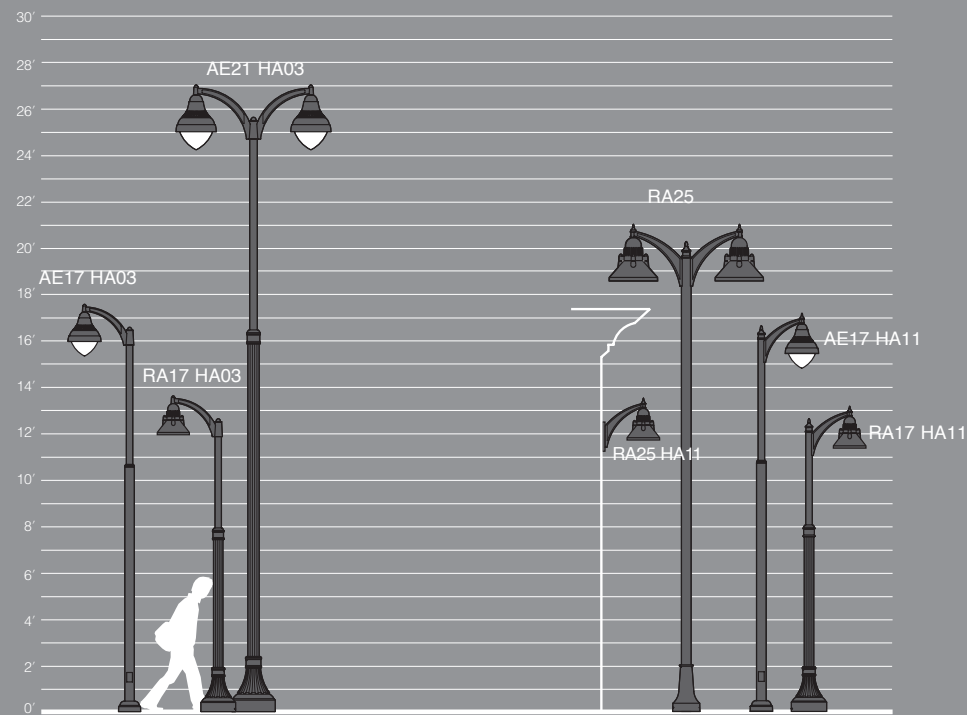
**Mounting Configuration**

Plan View:

Mounting Cat. No.: 1A 2B 3Y 4C

Arm/Fixture EPA: HA03L - RA25: 1.9, 3.8, 5.0, 5.5 • AE21/BE21: 1.8, 3.6, 4.7, 5.1  
 HA03S - RA17: 1.3, 2.6, 3.4, 3.7 • AE17/BE17: 1.2, 2.4, 3.1, 3.4  
 HA03S - LET19: 1.5, 3.0, 4.0, 4.5 • HA03L - LET26: 2.0, 4.0, 5.2, 6.0

Note: Refer to page 75 for Wind Map, page 76 for Optional Tenon Mount (Poles by Others) and page 78 for Heritage Optical Centerline Matrix.



**Specifications**

Arm: One-piece, cast aluminum side-mounted arm and cover. Fixture mounting arm is open for access to wiring connections and stainless steel mounting bolts, and enclosed by a flush mounted cast aluminum cover secured with stainless steel screws. Optional cast aluminum finial may be selected to close off fixture mounting hub (flat cap standard). Attachment to pole is by C" stainless steel bolts. Stainless steel bolts thread into a pole backing plate located inside the pole. Pole backing plate is heavy gauge zinc plated steel, and includes a wire strain relief and grounding connection. For round poles, arm is circular cut for the specific pole diameter. Arm-to-luminaire attachment is by concealed stainless steel rods, projecting into the fixture where nuts and washers secure the mounting. Small arm utilizes C" studs and large arm utilizes K" studs.

Pole Mount: Small arms mount to pole top O.D. of 3.4", 4", 5", 6". Large arms mount to pole top O.D. of 4", 5", 6".

ORDERING EXAMPLE: HSAF20-64188A - HA11L / DB  
 Pole Side Swept Cast Dark Bronze

**Mounting Configuration**

Plan View:

Mounting Cat. No.: 1A 2B 3Y 4C

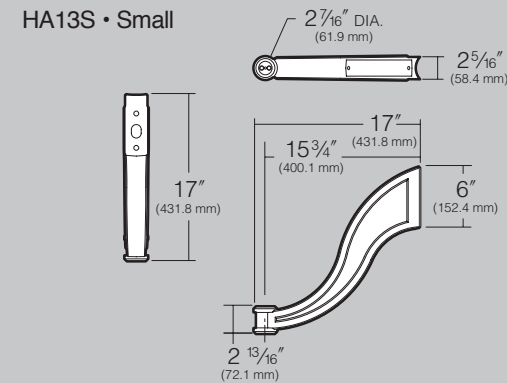
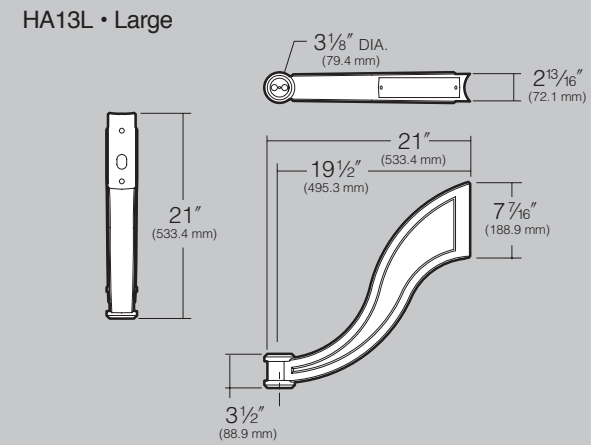
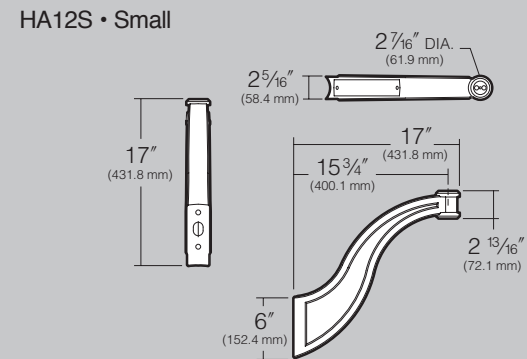
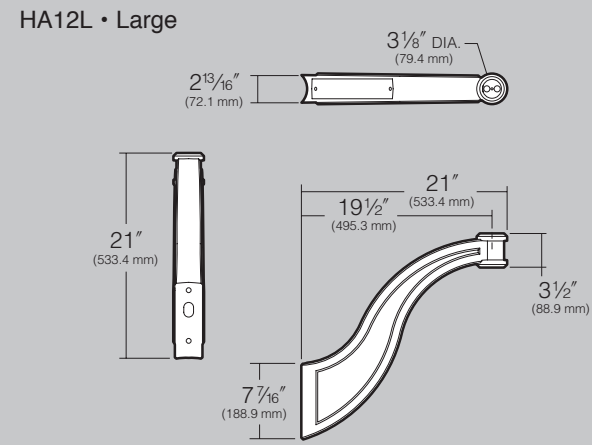
Arm/Fixture EPA: HA11L-RA25: 2.3, 4.8, 5.8, 6.3 • AE21/BE21: 2.2, 4.4, 5.5, 5.9  
 HA11S-RA17: 1.5, 3.0, 3.8, 4.1 • AE17/BE17: 1.4, 2.8, 3.5, 3.8  
 HA11S - LET19: 1.7, 3.4, 4.4, 4.9 • HA11L - LET26: 2.3, 4.6, 5.8, 6.6  
 HA11S - NS: 1.8, 3.6, 4.7, 5.2 • SRS: 2.3, 4.6, 5.6, 6.3

Note: Refer to page 75 for Wind Map, page 76 for Optional Tenon Mount (Poles by Others) and page 78 for Heritage Optical Centerline Matrix.



# Side Pole S-Shaped Up Cast Arm · HA12S / HA12L

# Side Pole S-Shaped Down Cast Arm · HA13S / HA13L



Optional Finial: Traditional style finial available to close off mounting hub opposite the fixture.



HAF2 p. 74

Optional Finial: Traditional style finial available to close off mounting hub opposite the fixture.

**Specifications**

Arm: One-piece, cast aluminum side-mounted arm and cover. Fixture mounting arm is open for access to wiring connections and stainless steel mounting bolts, and enclosed by a flush mounted cast aluminum cover secured with stainless steel screws. Optional cast aluminum finial may be selected to close off fixture mounting hub (flat cap standard). Attachment to pole is by C" stainless steel bolts. Stainless steel bolts thread into a pole backing plate located inside the pole. Pole backing plate is heavy gauge zinc plated steel, and includes a wire strain relief and grounding connection. For round poles, arm is circular cut for the specific pole diameter. Arm-to-luminaire attachment is by concealed stainless steel rods, projecting into the fixture where nuts and washers secure the mounting. Small arm utilizes C" studs and large arm utilizes K" studs.

Pole Mount: Small arms mount to pole top O.D. of 3.4", 4", 5", 6". Large arms mount to pole top O.D. of 4", 5", 6".

ORDERING EXAMPLE: HAS20-5188A - HA12S / WH  
Pole S Shaped Up White

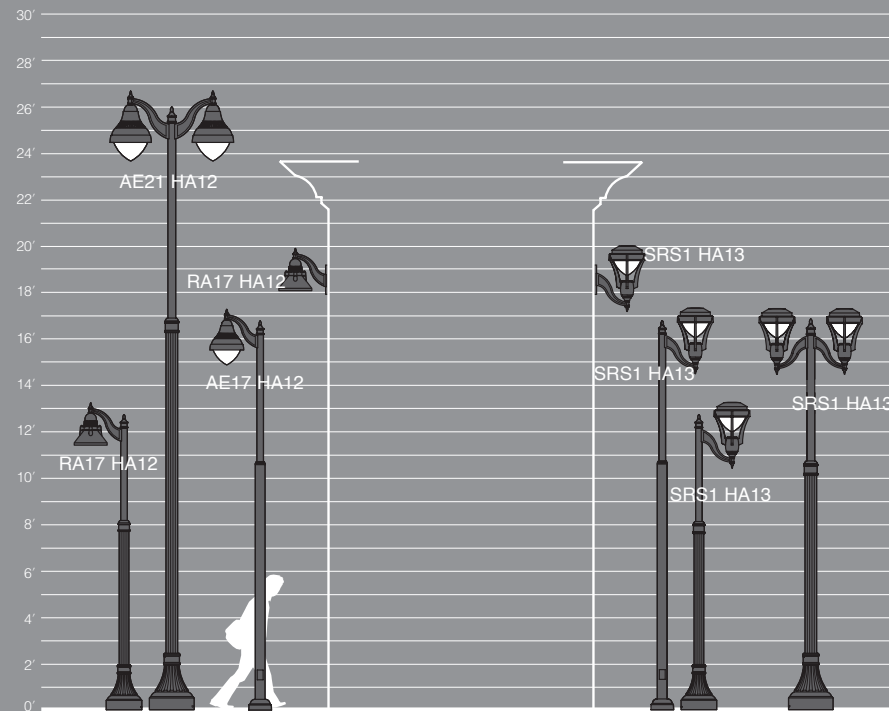
**Mounting Configuration**

Plan View:

Mounting Cat. No.: 1A 2B 3Y 4C

Arm/Fixture EPA: HA12L - RA25: 2.0, 4.0, 5.2, 5.7 • AE21/BE21: 1.9, 3.8, 4.9, 5.3  
 HA12S - RA17: 1.4, 2.8, 3.6, 3.9 • AE17/BE17: 1.3, 2.6, 3.3, 3.6  
 HA12S - LET19: 1.6, 3.2, 4.2, 4.7 • HA12L - LET26: 2.1, 4.2, 5.4, 6.2  
 HA13S - NS: 1.7, 3.4, 4.5, 5.0 • SRS: 2.2, 4.4, 5.4, 6.1

Note: Refer to page 75 for Wind Map, page 76 for Optional Tenon Mount (Poles by Others) and page 78 for Heritage Optical Centerline Matrix.



**Specifications**

Arm: One-piece, cast aluminum side-mounted arm and cover. Fixture mounting arm is open for access to wiring connections and stainless steel mounting bolts, and enclosed by a flush mounted cast aluminum cover secured with stainless steel screws. Optional cast aluminum finial may be selected to close off fixture mounting hub (flat cap standard). Attachment to pole is by C" stainless steel bolts. Stainless steel bolts thread into a pole backing plate located inside the pole. Pole backing plate is heavy gauge zinc plated steel, and includes a wire strain relief and grounding connection. For round poles, arm is circular cut for the specific pole diameter. Arm-to-luminaire attachment is by concealed stainless steel rods, projecting into the fixture where nuts and washers secure the mounting. Small arm utilizes C" studs and large arm utilizes K" studs.

Pole Mount: Small arms mount to pole top O.D. of 3.4", 4", 5", 6". Large arms mount to pole top O.D. of 4", 5", 6".

ORDERING EXAMPLE: HSAS25-64250B - HA13L / WH  
Pole S Shaped Down White

**Mounting Configuration**

Plan View:

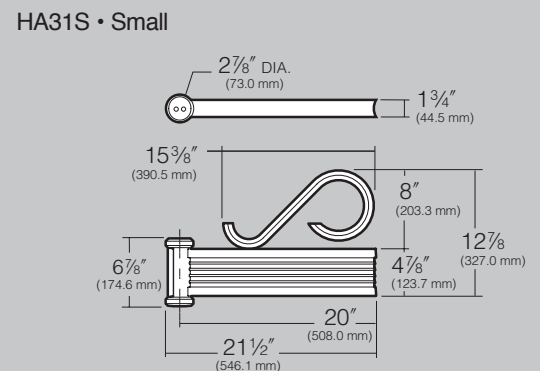
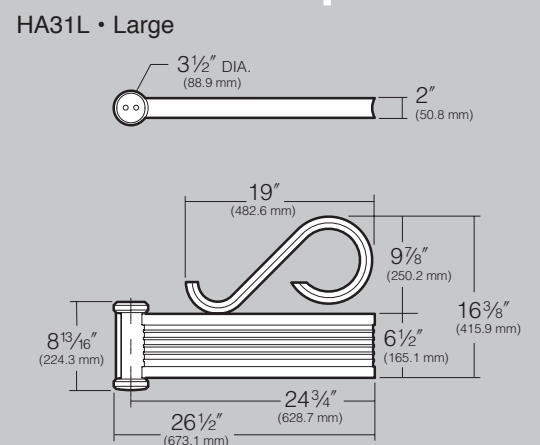
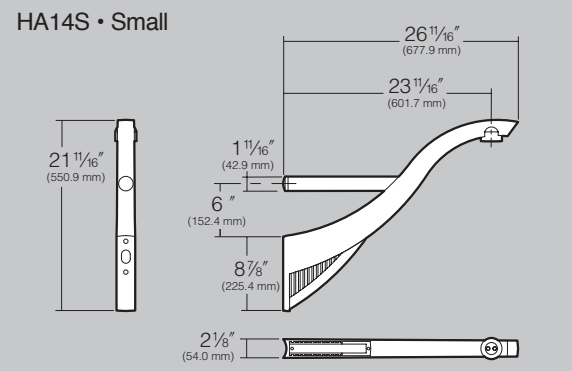
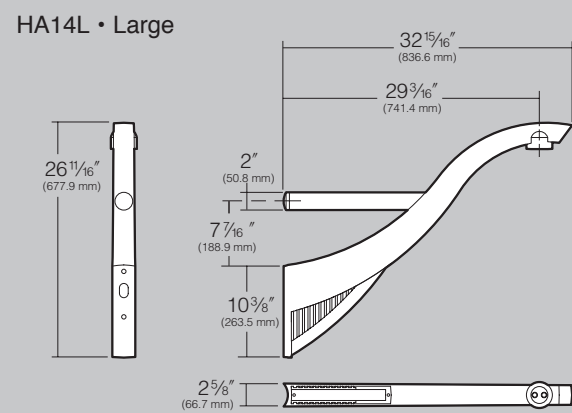
Mounting Cat. No.: 1A 2B 3Y 4C

Arm/Fixture EPA: HA13S - NS: 1.7, 3.4, 4.5, 5.0 • SRS: 2.2, 4.4, 5.4, 6.1  
 HA13S - LET19: 1.6, 3.2, 4.2, 4.7 • HA13L - LET26: 2.1, 4.2, 5.4, 6.2

Note: Refer to page 75 for Wind Map, page 76 for Optional Tenon Mount (Poles by Others) and page 78 for Heritage Optical Centerline Matrix.

# Side Pole Neo-Classic Arm · HA14S / HA14L

# Side Pole Ribbon Arm with Top Scroll · HA31S / HA31L



HAF2 p. 74  
Optional Finial: Traditional style finial available to close off mounting hub opposite the fixture.



**Specifications**

Arm: One-piece, cast aluminum side-mounted arm with extension brace and cover plate. Extension brace is extruded tube welded to arm casting at one end, and slips over cast pole adaptor on the other end. Fixture mounting arm is open for access to wiring connections and stainless steel mounting bolts, and enclosed by a flush mounted cast aluminum cover secured with stainless steel screws. Attachment to pole is by C" stainless steel bolts. Stainless steel bolts thread into a pole backing plate located inside the pole. Pole backing plate is heavy gauge zinc plated steel, and includes a wire strain relief and grounding connection. For round poles, arm is circular cut for the specific pole diameter. Arm-to-luminaire attachment is by concealed stainless steel rods, projecting into the fixture where nuts and washers secure the mounting. Small arm utilizes C" studs and large arm utilizes K" studs.

Pole Mount: Small arms mount to pole top O.D. of 3.4", 4", 5", 6". Large arms mount to pole top O.D. of 3.4", 4", 5", 6".



**Specifications**

Arm: Extruded aluminum side-mounted arm with cast aluminum scroll mounted to top. Fixture mounting hub is open for access to wiring connections and stainless steel mounting rods, and enclosed by a flush mounted cast aluminum cover secured with stainless steel screws. Cast aluminum finial may be selected to close off top of mounting hub (flat cap standard). Attachment to pole is by C" stainless steel rods, nuts and washers. Stainless steel rods thread into a pole backing plate located inside the pole. Pole backing plate is heavy gauge zinc plated steel, and includes a wire strain relief and grounding connection. For round poles, arm is circular cut for the specific pole diameter. Arm-to-luminaire attachment is by concealed stainless steel rods, projecting into the fixture where nuts and washers secure the mounting. Small arm utilizes C" studs and large arm utilizes K" studs.

Pole Mount: Small arms mount to pole top O.D. of 3.4", 4", 5", 6". Large arms mount to pole top O.D. of 4", 5", 6".

ORDERING EXAMPLE: HSAF25-64250A - HA14L / DB

Pole	Neo Classic	Dark Bronze
------	-------------	-------------

ORDERING EXAMPLE: HSAF20-534188B - HA31S / BL

Pole	Ribbon with Scroll	Black
------	--------------------	-------

**Mounting Configuration**

Plan View:

Mounting Cat. No.:	1A 2B 3Y 4C	1A 2B 3Y 4C
Arm/Fixture EPA:	HA14L - RA25: 2.6, 5.2, 6.4, 6.9 · AE21/BE21: 2.5, 5.0, 6.1, 6.5	HA14S - RA17: 1.7, 3.4, 4.2, 4.5 · AE17/BE17: 1.6, 3.2, 3.9, 4.2
	HA14S - LET19: 1.9, 3.8, 4.8, 5.3 · HA14L - LET26: 2.6, 5.2, 6.4, 6.9	

**Mounting Configuration**

Plan View:

Mounting Cat. No.:	1A 2B 3Y 4C	1A 2B 3Y 4C
Arm/Fixture EPA:	HA31L - RA25: 2.6, 5.2, 6.2, 6.7 · AE21/BE21: 2.5, 5.0, 5.9, 6.3	HA31S - RA17: 1.7, 3.3, 4.0, 4.3 · AE17/BE17: 1.6, 3.1, 3.7, 4.0
	HA31S - LET19: 1.9, 3.8, 4.8, 5.3 · HA31L - LET26: 2.6, 5.2, 6.2, 6.7	

Note: Refer to page 75 for Wind Map, page 76 for Optional Tenon Mount (Poles by Others) and page 78 for Heritage Optical Centerline Matrix.

Note: Refer to page 75 for Wind Map, page 76 for Optional Tenon Mount (Poles by Others) and page 78 for Heritage Optical Centerline Matrix.



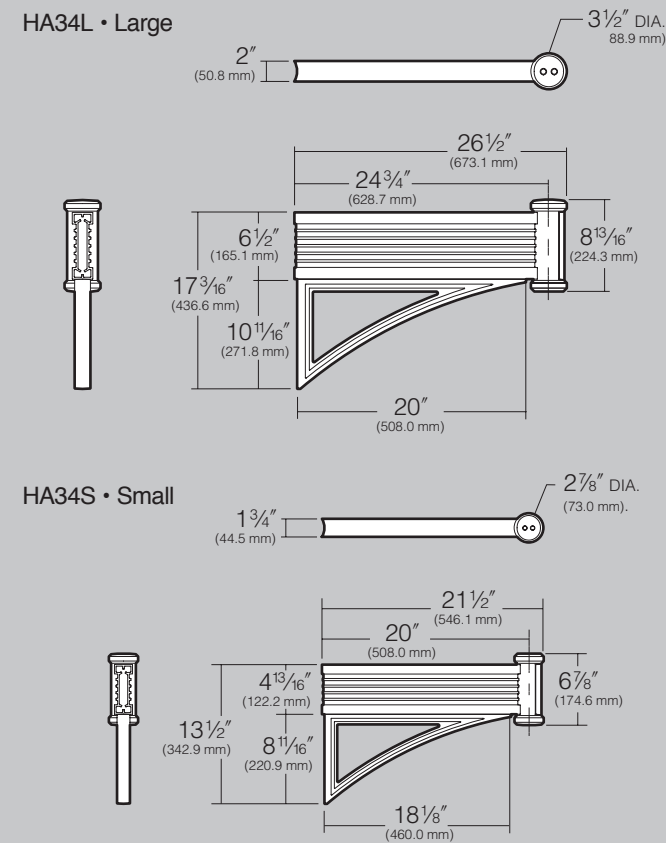
# Side Pole Ribbon Arm with Bottom Gusset · HA34S / HA34L

# Side Pole Ribbon Arm with Top Brace · HA35S / HA35L



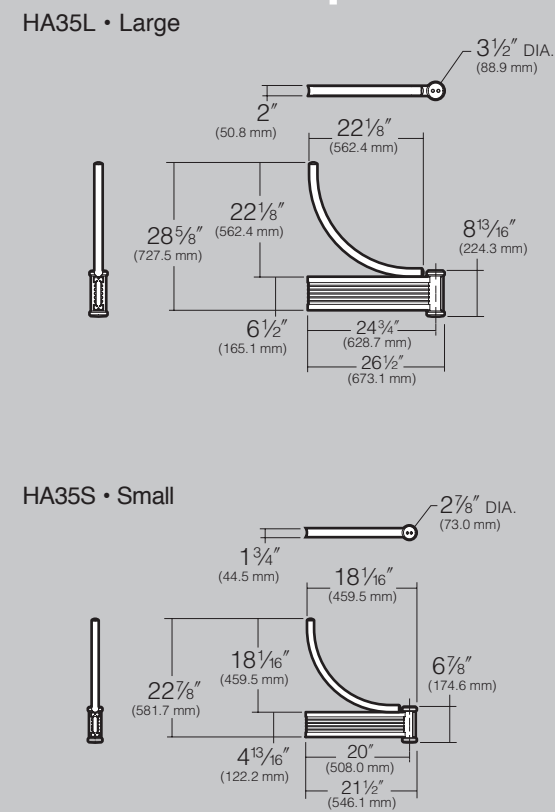
Optional Finial: Traditional style finial available to close off mounting hub opposite the fixture.

HAF2 p. 74



Optional Finial: Traditional style finial available to close off mounting hub opposite the fixture.

HAF2 p. 74



**Specifications**

Arm: Extruded aluminum side-mounted arm with cast aluminum gusset mounted to bottom. Fixture mounting hub is open for access to wiring connections and stainless steel mounting rods, and enclosed by a flush mounted cast aluminum cover secured with stainless steel screws. Cast aluminum finial may be selected to close off top of mounting hub (flat cap standard). Attachment to pole is by C" stainless steel rods, nuts and washers. Stainless steel rods thread into a pole backing plate located inside the pole. Pole backing plate is heavy gauge zinc plated steel, and includes a wire strain relief and grounding connection. For round poles, arm is circular cut for the specific pole diameter. Arm-to-luminaire attachment is by concealed stainless steel rods, projecting into the fixture where nuts and washers secure the mounting. Small arm utilizes C" studs and large arm utilizes K" studs.

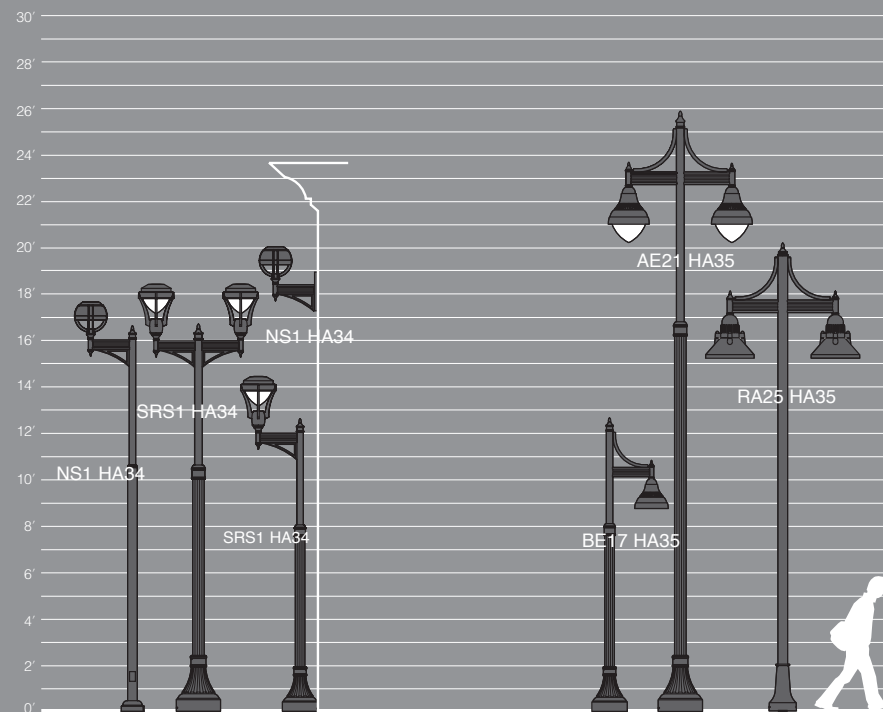
Pole Mount: Small arms mount to pole top O.D. of 3.4", 4", 5", 6". Large arms mount to pole top O.D. of 4", 5", 6".

ORDERING EXAMPLE: HSAF20-534188B - HA34S / WH  
 Pole Ribbon with Gusset White

**Mounting Configuration**



Note: Refer to page 75 for Wind Map, page 76 for Optional Tenon Mount (Poles by Others) and page 78 for Heritage Optical Centerline Matrix.



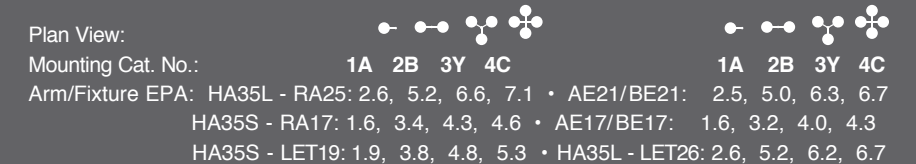
**Specifications**

Arm: Extruded aluminum side-mounted arm with extruded aluminum curved brace mounted to top. Brace is extruded aluminum tube attached to the fixture support arm on one end and to pole on opposite end. Fixture mounting hub is open for access to wiring connections and stainless steel mounting rods, and enclosed by a flush mounted cast aluminum cover secured with stainless steel screws. Cast aluminum finial may be selected to close off top of mounting hub (flat cap standard). Arm attachment to pole is by C" stainless steel rods, nuts and washers. Stainless steel rods thread into a pole backing plate located inside the pole. Pole backing plate is heavy gauge zinc plated steel, and includes a wire strain relief and grounding connection. For round poles, arm is circular cut for the specific pole diameter. Arm-to-luminaire attachment is by concealed stainless steel rods, projecting into the fixture where nuts and washers secure the mounting. Small arm utilizes C" studs and large arm utilizes K" studs.

Pole Mount: Small arms mount to Kim pole top O.D. of 3.4", 4", 5", 6". Large arms mount to pole top O.D. of 4", 5", 6".

ORDERING EXAMPLE: HSAS25-64188A - HA35L / BL  
 Pole Ribbon with Black Gusset

**Mounting Configuration**



Note: Refer to page 75 for Wind Map and page 78 for Heritage Optical Centerline Matrix.



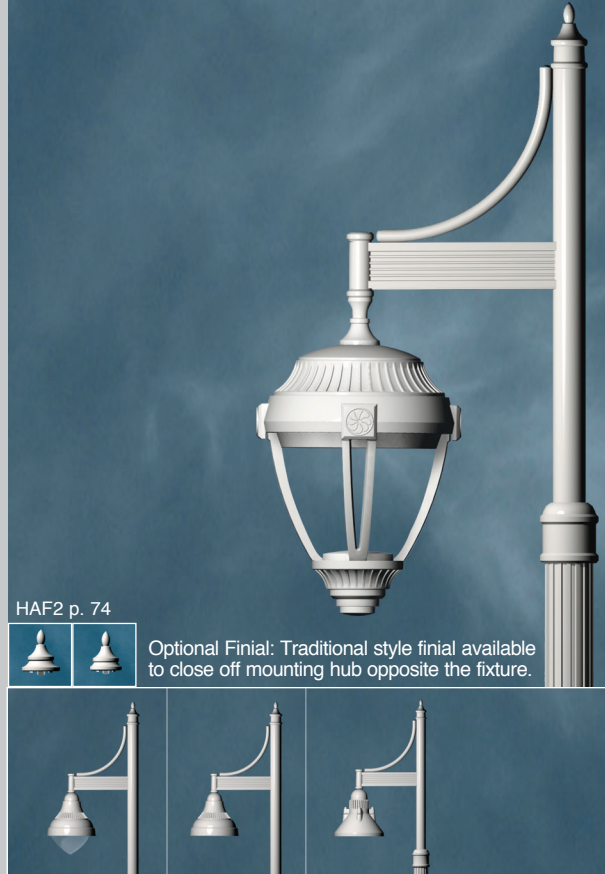
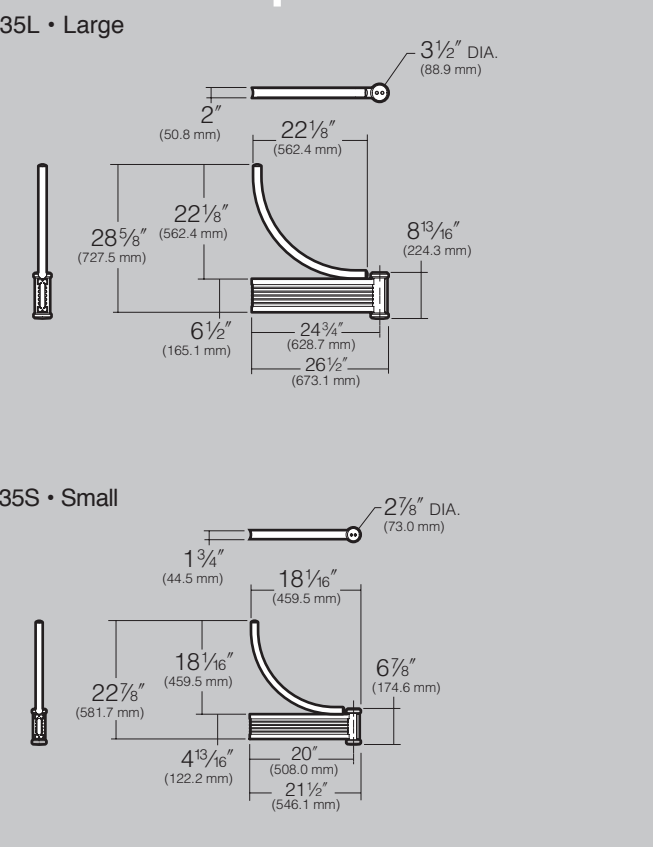
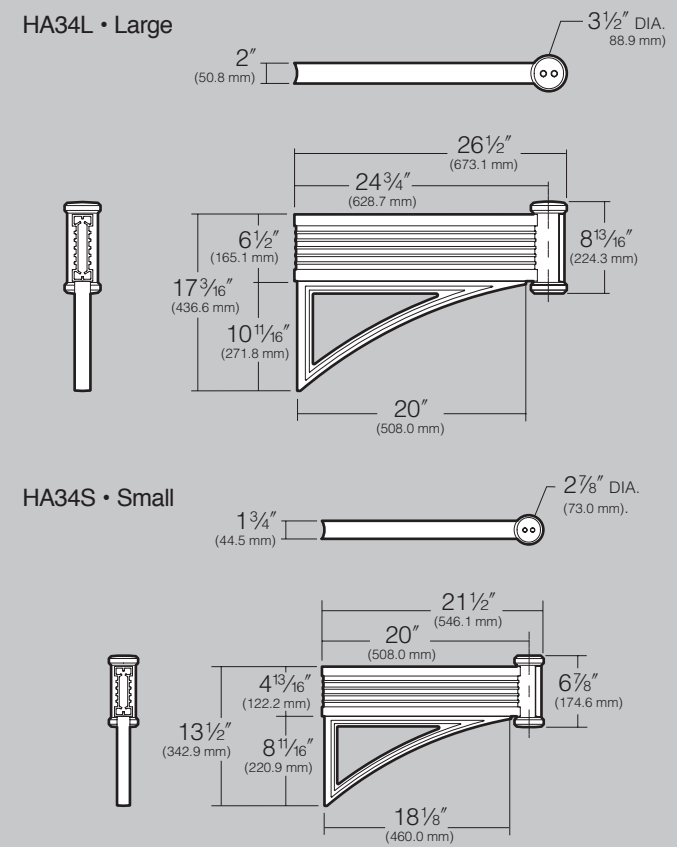
# Side Pole Ribbon Arm with Bottom Gusset · HA34S / HA34L

# Side Pole Ribbon Arm with Top Brace · HA35S / HA35L



Optional Finial: Traditional style finial available to close off mounting hub opposite the fixture.

HAF2 p. 74



Optional Finial: Traditional style finial available to close off mounting hub opposite the fixture.

HAF2 p. 74

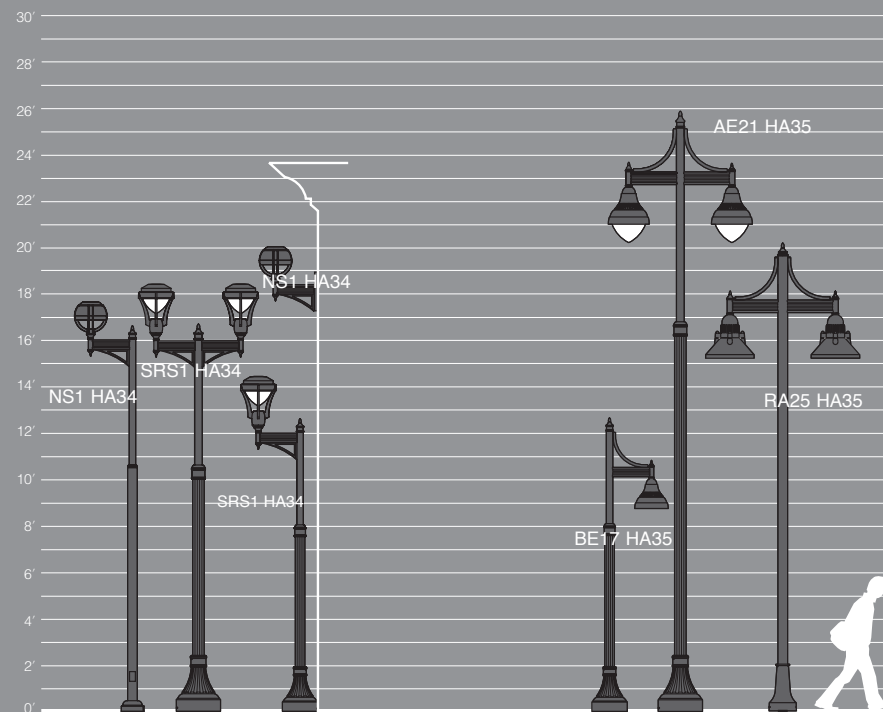
### Specifications

Arm: Extruded aluminum side-mounted arm with cast aluminum gusset mounted to bottom. Fixture mounting hub is open for access to wiring connections and stainless steel mounting rods, and enclosed by a flush mounted cast aluminum cover secured with stainless steel screws. Cast aluminum finial may be selected to close off top of mounting hub (flat cap standard). Attachment to pole is by C" stainless steel rods, nuts and washers. Stainless steel rods thread into a pole backing plate located inside the pole. Pole backing plate is heavy gauge zinc plated steel, and includes a wire strain relief and grounding connection. For round poles, arm is circular cut for the specific pole diameter. Arm-to-luminaire attachment is by concealed stainless steel rods, projecting into the fixture where nuts and washers secure the mounting. Small arm utilizes C" studs and large arm utilizes K" studs.

Pole Mount: Small arms mount to pole top O.D. of 3.4", 4", 5", 6". Large arms mount to pole top O.D. of 4", 5", 6".

ORDERING EXAMPLE: HSAF20-534188B - HA34S / WH  
 Pole Ribbon with White Gusset

### Mounting Configuration



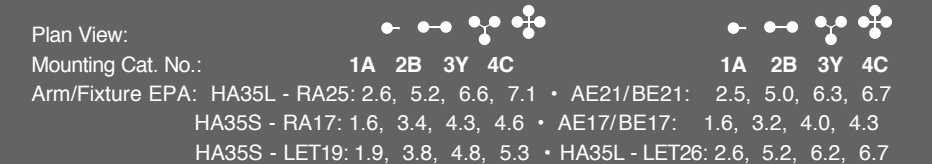
### Specifications

Arm: Extruded aluminum side-mounted arm with extruded aluminum curved brace mounted to top. Brace is extruded aluminum tube attached to the fixture support arm on one end and to pole on opposite end. Fixture mounting hub is open for access to wiring connections and stainless steel mounting rods, and enclosed by a flush mounted cast aluminum cover secured with stainless steel screws. Cast aluminum finial may be selected to close off top of mounting hub (flat cap standard). Arm attachment to pole is by C" stainless steel rods, nuts and washers. Stainless steel rods thread into a pole backing plate located inside the pole. Pole backing plate is heavy gauge zinc plated steel, and includes a wire strain relief and grounding connection. For round poles, arm is circular cut for the specific pole diameter. Arm-to-luminaire attachment is by concealed stainless steel rods, projecting into the fixture where nuts and washers secure the mounting. Small arm utilizes C" studs and large arm utilizes K" studs.

Pole Mount: Small arms mount to Kim pole top O.D. of 3.4", 4", 5", 6". Large arms mount to pole top O.D. of 4", 5", 6".

ORDERING EXAMPLE: HSAS25-64188A - HA35L / BL  
 Pole Ribbon with Black Gusset

### Mounting Configuration



Note: Refer to page 75 for Wind Map, page 76 for Optional Tenon Mount (Poles by Others) and page 78 for Heritage Optical Centerline Matrix.

Note: Refer to page 75 for Wind Map and page 78 for Heritage Optical Centerline Matrix.



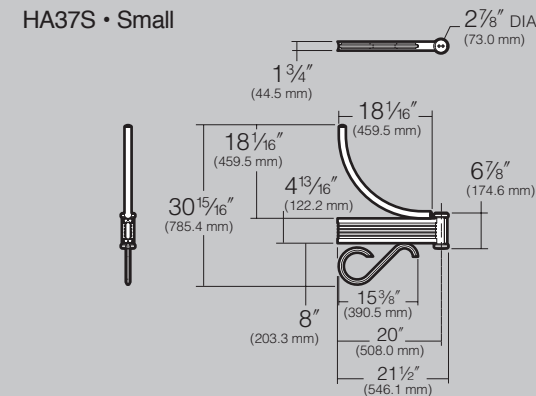
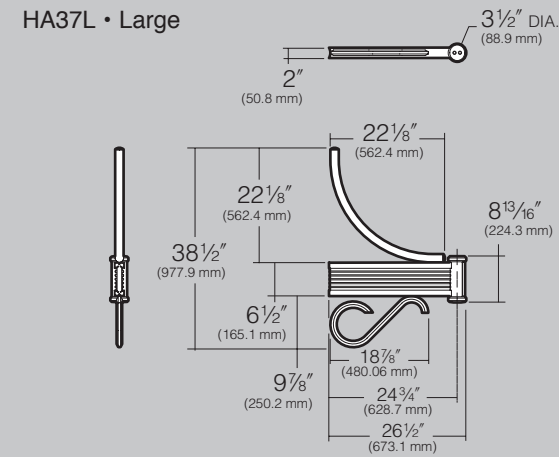
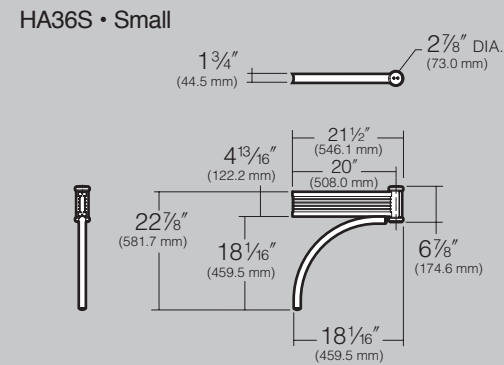
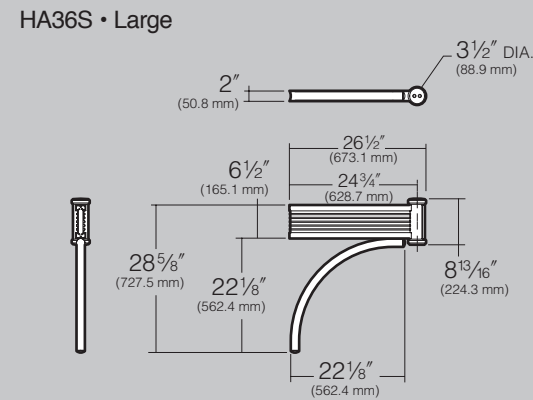
# Side Pole Ribbon Arm with Bottom Brace · HA36S / HA36L

# Side Pole Ribbon Arm with Top Brace and Bottom Scroll · HA37S / HA37L



Optional Finial: Traditional style finial available to close off mounting hub opposite the fixture.

HAF2 p. 74



Optional Finial: Traditional style finial available to close off mounting hub opposite the fixture.

HAF2 p. 74

**Specifications**

Arm: Extruded aluminum side-mounted arm with extruded aluminum curved base mounted to bottom. Brace is extruded aluminum tube attached to the fixture support arm on one end and to pole on opposite end. Fixture mounting hub is open for access to wiring connections and stainless steel mounting rods, and enclosed by a flush mounted cast aluminum cover secured with stainless steel screws. Cast aluminum finial may be selected to close off top of mounting hub (flat cap standard). Arm attachment to pole is by C" stainless steel rods, nuts and washers. Stainless steel rods thread into a pole backing plate located inside the pole. Pole backing plate is heavy gauge zinc plated steel, and includes a wire strain relief and grounding connection. For round poles, arm is circular cut for the specific pole diameter. Arm-to-luminaire attachment is by concealed stainless steel rods, projecting into the fixture where nuts and washers secure the mounting. Small arm utilizes C" studs and large arm utilizes K" studs.

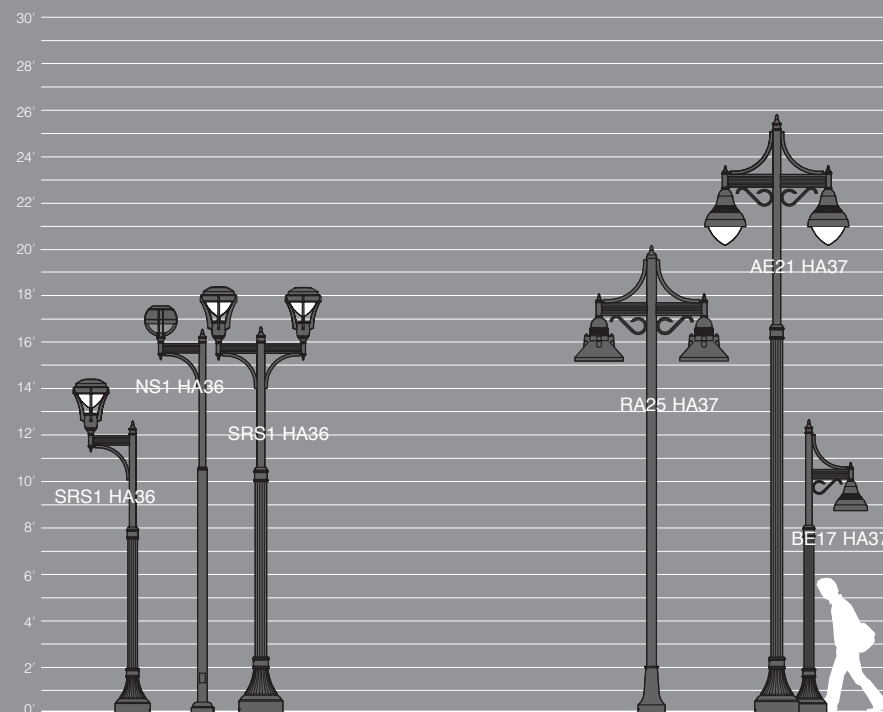
Pole Mount: Small arms mount to pole top O.D. of 3.4", 4", 5", 6". Large arms mount to pole top O.D. of 4", 5", 6".

ORDERING EXAMPLE: HSAF25-64188A - HA36L / WH

Pole Ribbon with Brace White

**Mounting Configuration**

Plan View:		
Mounting Cat. No.:	1A 2B 3Y 4C	1A 2B 3Y 4C
Arm/Fixture EPA:	HA36S - NS: 2.0, 4.0, 5.2, 5.7 · SRS: 2.5, 5.0, 5.9, 6.6	HA36S - LET19: 1.9, 3.8, 4.8, 5.3 · HA36L - LET26: 2.6, 5.2, 6.2, 6.7



**Specifications**

Arm: Extruded aluminum side-mounted arm with extruded aluminum curved brace mounted to top and cast aluminum scroll mounted to bottom. Brace is extruded aluminum tube attached to the fixture support arm on one end and to pole on opposite end. Fixture mounting hub is open for access to wiring connections and stainless steel mounting rods, and enclosed by a flush mounted cast aluminum cover secured with stainless steel screws. Cast aluminum finial may be selected to close off top of mounting hub (flat cap standard). Attachment to pole is by C" stainless steel rods, nuts and washers. Stainless steel rods thread into a pole backing plate located inside the pole. Pole backing plate is heavy gauge zinc plated steel, and includes a wire strain relief and grounding connection. For round poles, arm is circular cut for the specific pole diameter. Arm-to-luminaire attachment is by concealed stainless steel rods, projecting into the fixture where nuts and washers secure the mounting. Small arm utilizes C" studs and large arm utilizes K" studs.

Pole Mount: Small arms mount to pole top O.D. of 3.4", 4", 5", 6". Large arms mount to pole top O.D. of 4", 5", 6".

ORDERING EXAMPLE: HSAS20-534188A - HA37S / BL

Pole Ribbon with Brace & Gusset Black

**Mounting Configuration**

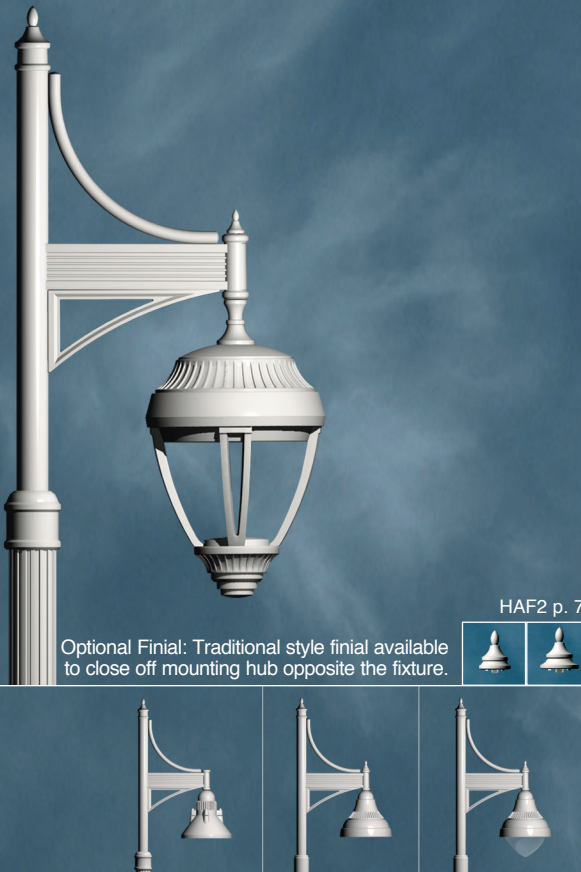
Plan View:		
Mounting Cat. No.:	1A 2B 3Y 4C	1A 2B 3Y 4C
Arm/Fixture EPA:	HA37L - RA25: 2.8, 5.6, 6.9, 7.4 · AE21/BE21: 2.7, 5.4, 6.6, 7.4	HA37S - RA17: 1.8, 3.6, 4.5, 4.8 · AE17/BE17: 1.7, 3.4, 4.2, 4.5
	HA37S - LET19: 2.0, 4.0, 5.0, 5.5 · HA37L - LET26: 2.8, 5.6, 6.8, 7.3	

Note: Refer to page 75 for Wind Map and page 78 for Heritage Optical Centerline Matrix.



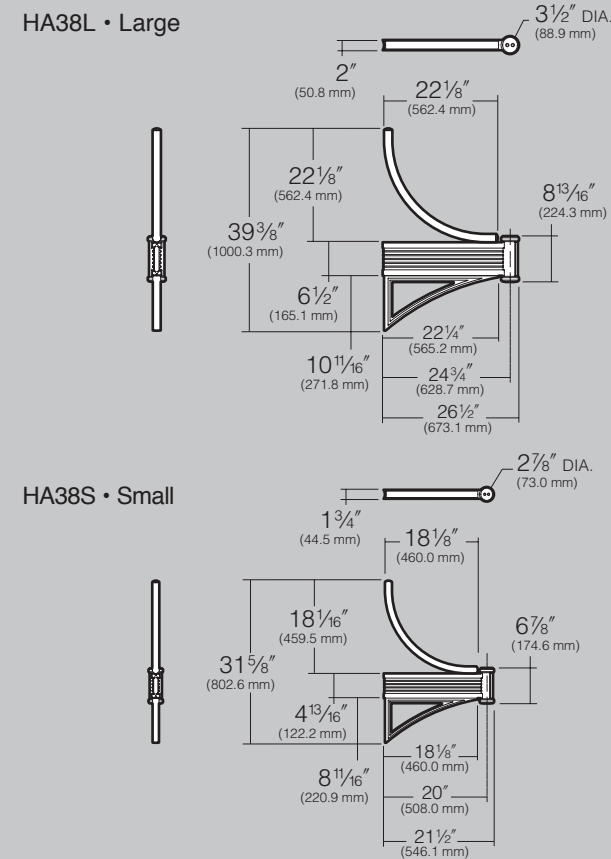
# Ribbon Arm with Top Brace and Bottom Gusset · HA38S / HA38L

## Heritage Wall Mount Option Specifications

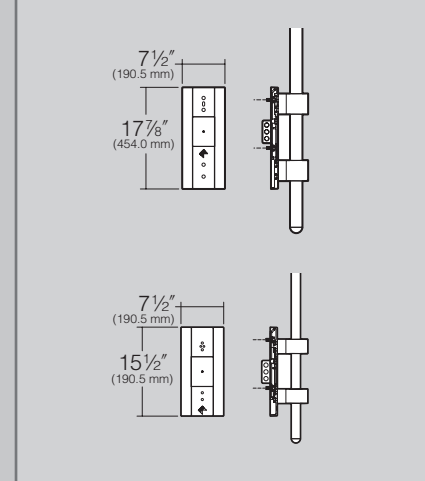


Optional Finial: Traditional style finial available to close off mounting hub opposite the fixture.

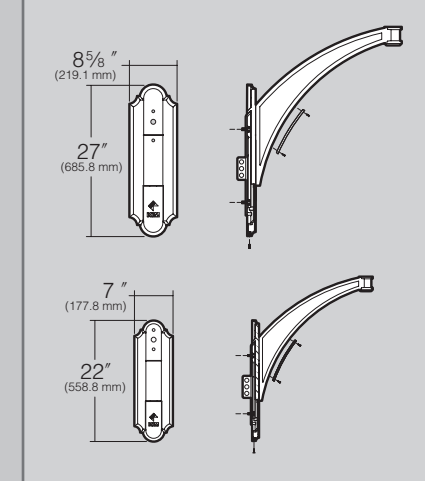
HAF2 p. 74



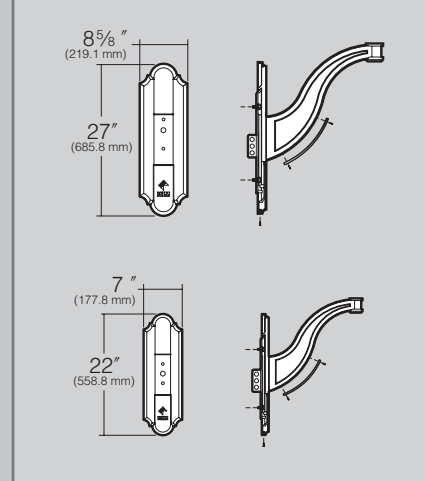
HA02SW · HA02LW · Side Crook



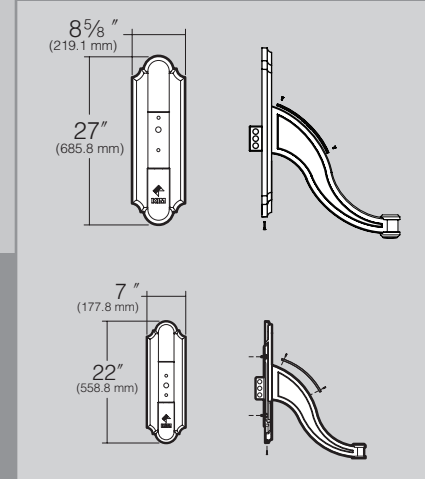
HA11SW · HA11LW · Swept Cast



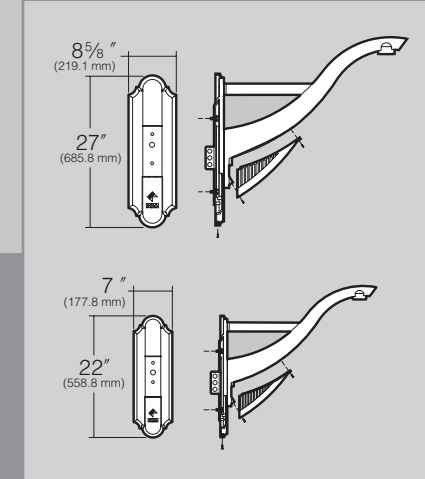
HA12SW · HA12LW · S-Shaped Up Cast Arm



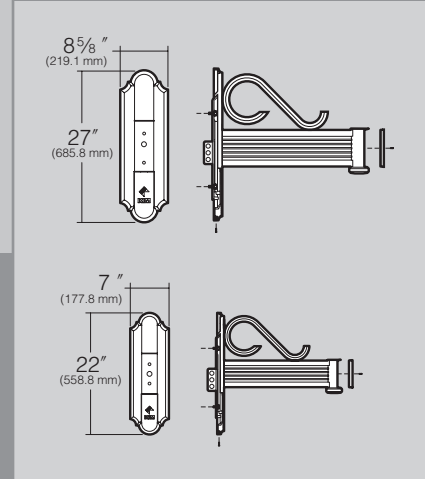
HA13SW · HA13LW · S-Shaped Down Cast



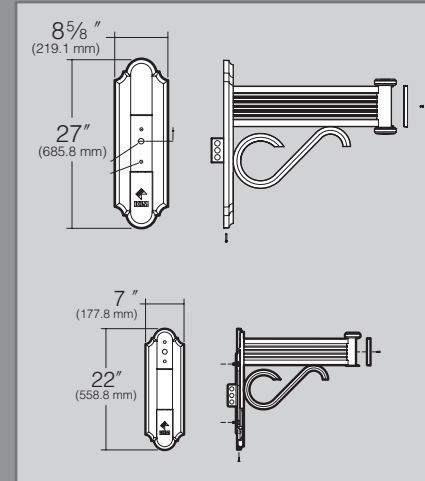
HA14SW · HA14LW · Neo-Classic Arm



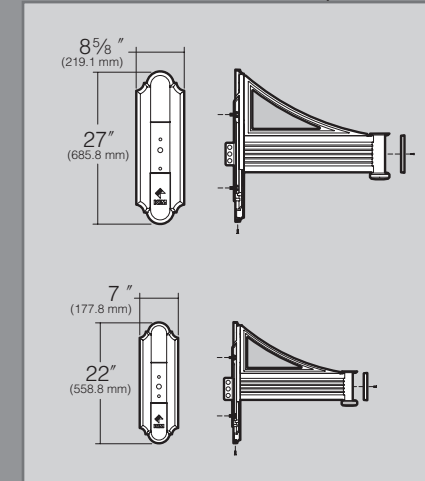
HA31SW · Ribbon Arm with Top Scroll  
HA31LW · Ribbon Arm with Top Scroll



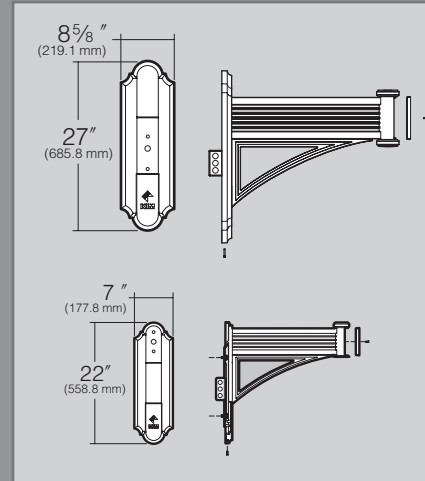
HA32SW · Ribbon Arm with Bottom Scroll  
HA32LW · Ribbon Arm with Bottom Scroll



HA33SW · Ribbon Arm with Top Gusset  
HA33LW · Ribbon Arm with Top Gusset



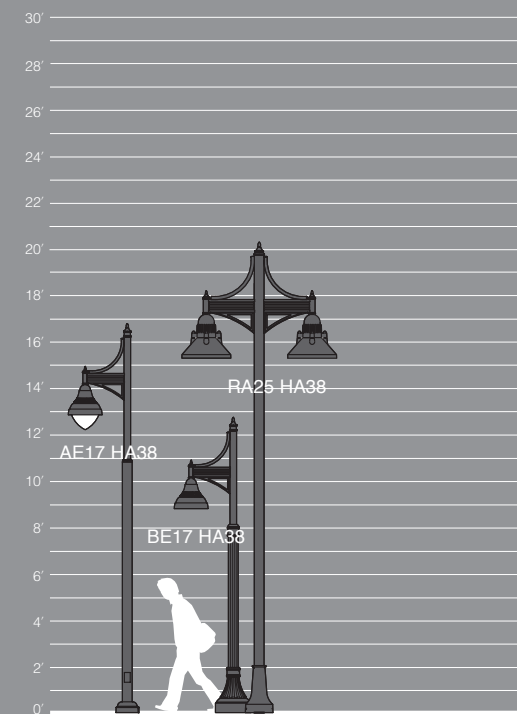
HA34SW · Ribbon Arm with Bottom Gusset  
HA34LW · Ribbon Arm with Bottom Gusset



### Specifications

Arm: Extruded aluminum side-mounted arm with extruded aluminum curved brace mounted to top and cast aluminum gusset mounted to bottom. Brace is extruded aluminum tube attached to the fixture support arm on one end and to pole on opposite end. Fixture mounting hub is open for access to wiring connections and stainless steel mounting rods, and enclosed by a flush mounted cast aluminum cover secured with stainless steel screws. Cast aluminum finial may be selected to close off top of mounting hub (flat cap standard). Attachment to pole is by C" stainless steel rods, nuts and washers. Stainless steel rods thread into a pole backing plate located inside the pole. Pole backing plate is heavy gauge zinc plated steel, and includes a wire strain relief and grounding connection. For round poles, arm is circular cut for the specific pole diameter. Arm-to-luminaire attachment is by concealed stainless steel rods, projecting into the fixture where nuts and washers secure the mounting. Small arm utilizes C" studs and large arm utilizes K" studs.

Pole Mount: Small arms mount to pole top O.D. of 3.4", 4", 5", 6". Large arms mount to pole top O.D. of 4", 5", 6".



ORDERING EXAMPLE: HSAF20-64188B - HA38L / WH

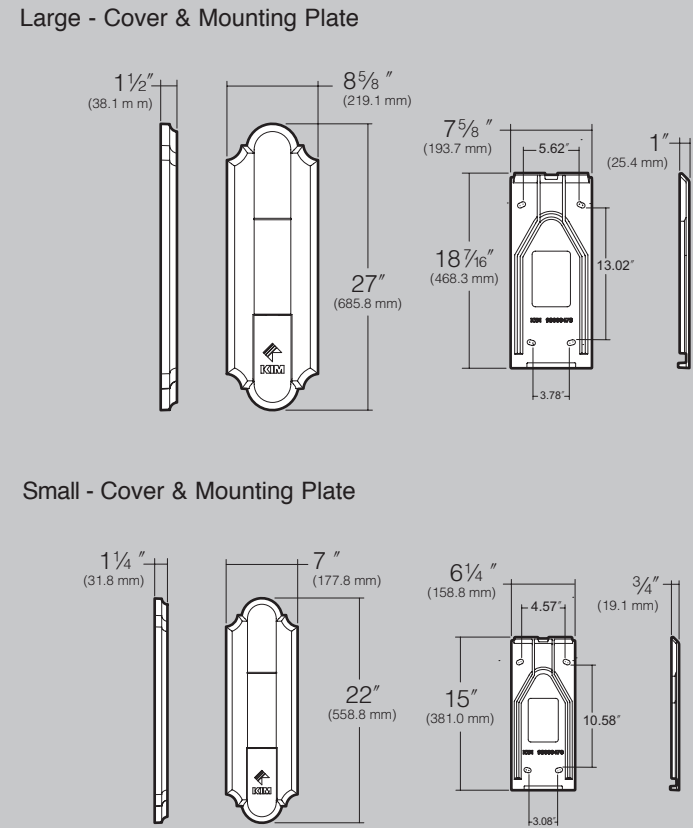
Pole Ribbon with White  
Brace & Gusset

### Mounting Configuration

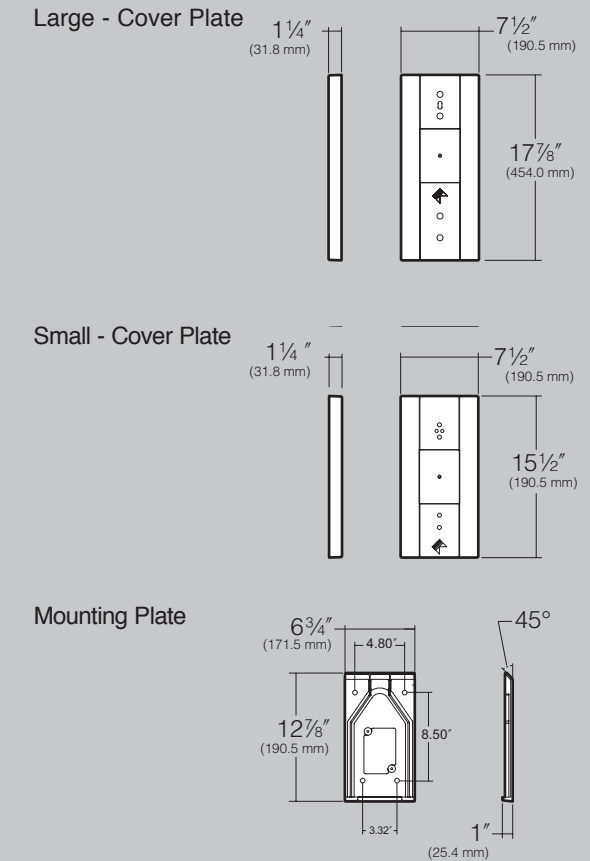
Plan View:		
Mounting Cat. No.:	1A 2B 3Y 4C	1A 2B 3Y 4C
Arm/Fixture EPA:	HA38L - RA25: 3.0, 6.0, 7.4, 7.9 · AE21/BE21: 2.7, 5.4, 6.6, 7.4	HA38S - RA17: 2.0, 4.0, 4.9, 5.2 · AE17/BE17: 1.9, 3.8, 4.6, 4.9
	HA38S - LET19: 2.2, 4.4, 5.4, 5.9 · HA38L - LET26: 2.8, 5.6, 6.8, 7.3	

Note: Refer to page 75 for Wind Map and page 78 for Heritage Optical Centerline Matrix.

# Heritage Wall Mount Plate · Others Available



# Era Wall Mount Plate · HA02 only



### Specifications

A cast mounting plate of aluminum is mounted to the wall with bolts (by others). Fixture and arm are mounted to a cast aluminum cover plate before attaching to the wall mounting plate. The fixture-arm-cover plate assembly is hooked to the wall mounting plate, and secured with stainless steel screws provided. After mounting to the wall, field splices are made at the opening in the cover plate, then covered by a cast aluminum plate that blends with the cover plate design. Complete fixture-arm-cover plate assembly can therefore be mounted before field splices are made. Cover plate is finished to match arm and fixture powder coat color.

Caution: Structural integrity of mounting plate attachment to wall is by others.

Mounting	Fixture	Electrical Module	Finish	Option
1W	AE17H3	150HPS277	WH	HA33SW
Wall	Era® Acorn	150HPS277V	White	Wall

### Specifications

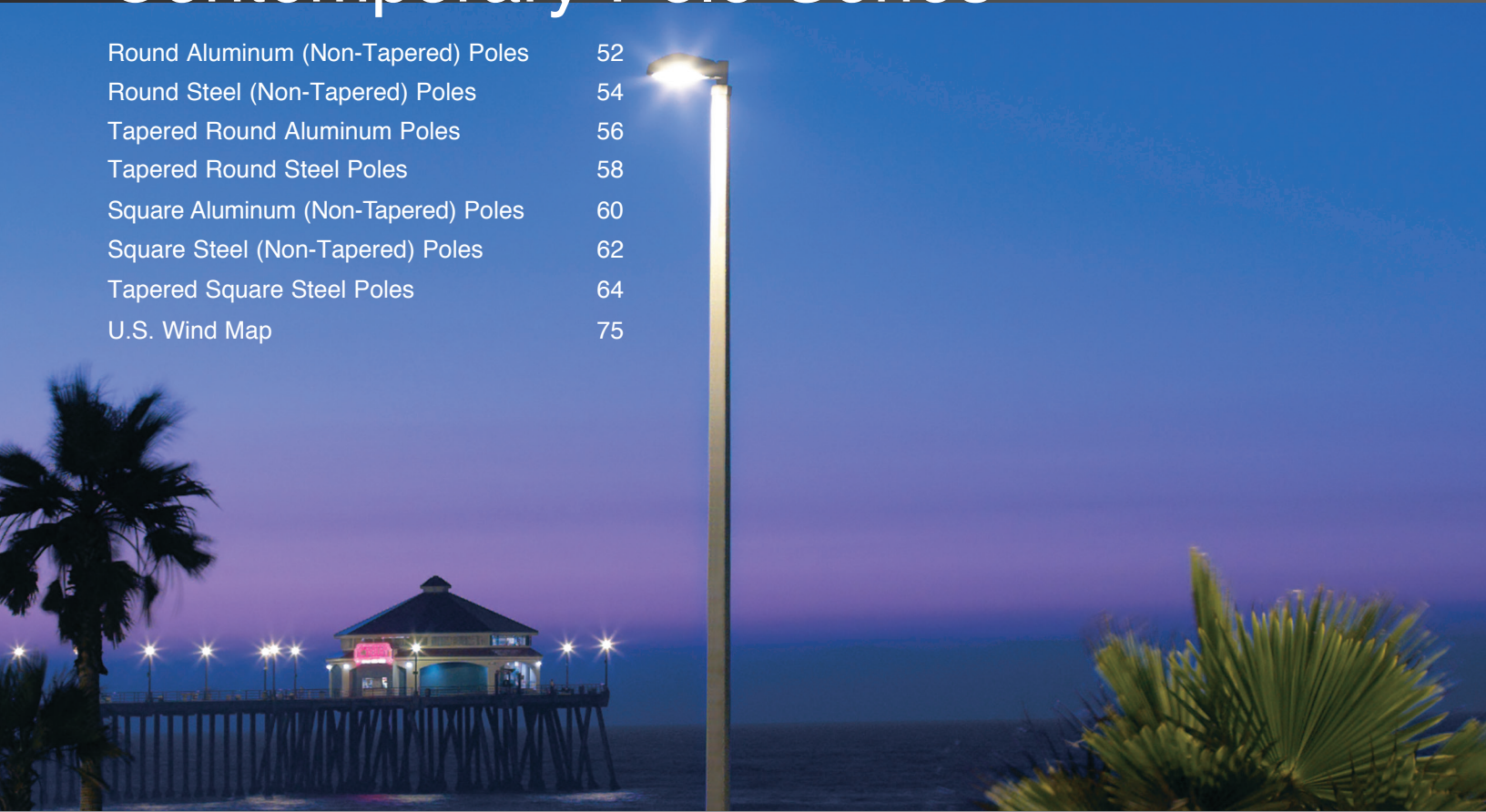
A cast mounting plate of aluminum is mounted to the wall with bolts (by others). Fixture and arm are mounted to a cast aluminum cover plate before attaching to the wall mounting plate. The fixture-arm-cover plate assembly is hooked to the wall mounting plate, and secured with stainless steel screws provided. After mounting to the wall, field splices are made at the opening in the cover plate, then covered by a cast aluminum plate that blends with the cover plate design. Complete fixture-arm-cover plate assembly can therefore be mounted before field splices are made. Cover plate is finished to match arm and fixture powder coat color.

Mounting	Fixture	Electrical Module	Finish	Option
1W	AE17H3	150HPS277	WH	HA02SW
Wall	Era® Acorn	150HPS277V	White	Wall

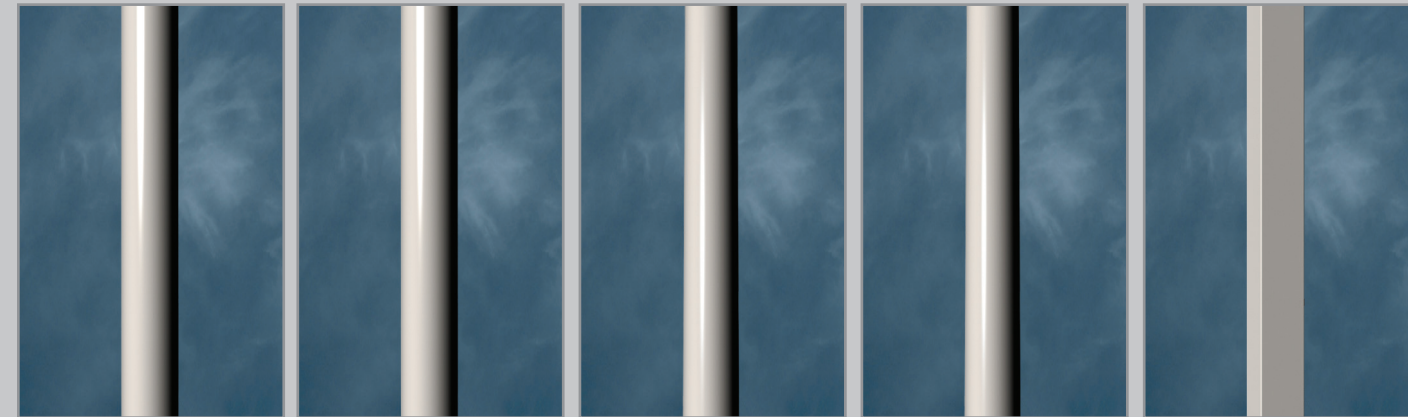


# Contemporary Pole Series

Round Aluminum (Non-Tapered) Poles	52
Round Steel (Non-Tapered) Poles	54
Tapered Round Aluminum Poles	56
Tapered Round Steel Poles	58
Square Aluminum (Non-Tapered) Poles	60
Square Steel (Non-Tapered) Poles	62
Tapered Square Steel Poles	64
U.S. Wind Map	75



## Premium Pole Selection



Round Aluminum (Non-Tapered) p. 52      Round Steel (Non-Tapered) p. 54      Tapered Round Aluminum p. 56      Tapered Round Steel p. 58      Square Aluminum (Non-Tapered) p. 60



Square Steel (Non-Tapered) p. 62      Square Tapered Steel p. 64      Decorative Base Cover p. 74      Duplex Receptacle      Hinge Pole Base

## Kim Lighting's Contemporary Pole Collection

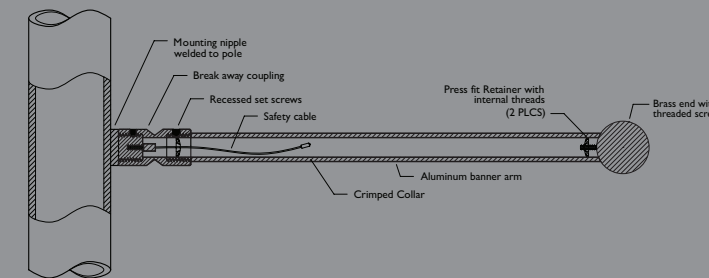
Premium quality is the mark of distinction for Kim Lighting pole structures. Choose from rugged steel and aluminum pole standards, in a variety of shapes, tapers, and finishes. Complete your specification with an optional duplex receptacle, hinged base, or other accessories. All Kim Lighting pole products include pre-drilled holes for any mounting configuration, galvanized solid steel anchor bolts, Super TGIC powder coat paint finish, standard base cover, and limited one year warranty at no extra charge (extended service contracts are also available). Poles 25' and higher also include internal vibration dampening system.

All Kim Lighting poles are inspected and protected for shipment with patented form fitting chipboard, then tightly bound in plastic wrap, and properly labeled and loaded for quick and pristine delivery to the job site.

**Caution:** Installation of poles without luminaire(s) will compromise pole strength. Any accessories attached to pole or other modifications will compromise pole strength and may result in pole failure.

**Maintenance:** A regularly scheduled maintenance program must be established to insure the protective paint coating is intact, corrosion or structural damage has not occurred, and anchor bolt nuts are tight. Failure to do so could lead to pole collapse and serious personal injury.

**Note:** All allowable pole and fixture EPAs are derived from the AASHTO standard. Responsibility lies with specifier for correct pole selection based on local codes and standards for the project.



### BreakAway Banner Arm

The breakaway coupling is designed to fail before over-stressing the pole. An internal, stainless steel cable keeps the arm attached to the pole assembly. The failure point for the coupling is affected by the banner type, pole height and vertical location of the banner on the pole. The loading is also affected by securing the banner at the top only, or the top and bottom. Contact the factory for the maximum banner size recommended for your application.





# Round Aluminum (Non - Tapered) Poles

1 Pole Cat. No.	X	Y	A.B. Size	Allowable Pole EPA - Refer to wind map on p. 75						
				85 (38m/s)	90 (40m/s)	100 (45m/s)	110 (49m/s)	120 (54m/s)	130 (58m/s)	140 (63m/s)
PRA8-4125	8'	4" x .125	L' x 30 + 3 13.06	11.49	10.46	8.39	6.81	5.65	4.80	4.13
PRA8-5125	8'	5" x .125	L' x 30 + 3 21.29	18.79	17.15	14.05	11.72	9.92	8.49	7.34
PRA10-34125	10'	3.375" x .125	L' x 15 + 3 6.58	5.70	5.13	3.97	3.09	2.40	1.86	1.43
PRA10-4125	10'	4" x .125	L' x 30 + 3 9.78	8.53	7.71	6.05	4.79	3.88	3.27	2.78
PRA10-5125	10'	5" x .125	L' x 30 + 3 16.21	14.21	12.90	10.51	8.72	7.34	6.25	5.38
PRA12-34188	12'	3.375" x .188	L' x 15 + 3 8.76	7.62	6.86	5.35	4.20	3.30	2.59	2.03
PRA12-4125	12'	4" x .125	L' x 30 + 3 7.48	6.44	5.75	4.37	3.32	2.59	2.14	1.78
PRA12-5125	12'	5" x .125	L' x 30 + 3 12.67	11.00	9.91	8.01	6.60	5.51	4.66	3.99
PRA12-6188	12'	6" x .188	L' x 30 + 3 32.89	29.22	27.04	22.20	18.53	15.69	13.44	11.64
PBTS12-6188	12'	6" x .188	L' x 30 + 3 32.89	29.22	27.04	22.20	18.53	15.69	13.44	11.64
PRA14-34188	14'	3.375" x .188	L' x 15 + 3 6.94	5.95	5.31	4.01	3.02	2.26	1.65	1.17
PRA14-4125	14'	4" x .125	L' x 30 + 3 5.73	4.84	4.25	3.06	2.16	1.57	1.24	0.98
PRA14-4188	14'	4" x .188	L' x 30 + 3 10.56	9.14	8.21	6.34	4.92	3.91	3.26	2.74
PRA14-5125	14'	5" x .125	L' x 30 + 3 10.01	8.58	7.64	6.10	4.98	4.11	3.44	2.91
PRA14-5188	14'	5" x .188	L' x 30 + 3 17.90	15.62	14.12	11.46	9.48	7.95	6.75	5.79
PRA14-6188	14'	6" x .188	L' x 30 + 3 27.19	24.11	22.37	18.31	15.24	12.87	11.00	9.49
PBTS14-6188	14'	6" x .188	L' x 30 + 3 27.19	24.11	22.37	18.31	15.24	12.87	11.00	9.49
PRA16-4188	16'	4" x .188	L' x 30 + 4 8.55	7.31	6.50	4.86	3.62	2.76	2.25	1.85
PRA16-5125	16'	5" x .125	L' x 30 + 4 7.90	6.65	5.83	4.57	3.67	2.98	2.45	2.03
PRA16-5188	16'	5" x .188	L' x 30 + 4 14.80	12.81	11.50	9.26	7.61	6.34	5.34	4.55
PRA16-6188	16'	6" x .188	L' x 30 + 4 22.77	20.16	18.75	15.29	12.69	10.68	9.09	7.82
PBTS16-6188	16'	6" x .188	L' x 30 + 4 22.77	20.16	18.75	15.29	12.69	10.68	9.09	7.82
PRA20-4188	19.5'	4" x .188	L' x 30 + 4 5.33	4.37	3.74	2.48	1.52	0.91	0.63	0.42
PRA20-5125	19.5'	5" x .125	L' x 30 + 4 4.50	3.54	2.90	2.11	1.56	1.16	0.85	0.62
PRA20-5188	19.5'	5" x .188	L' x 30 + 4 9.83	8.29	7.28	5.73	4.60	3.75	3.09	2.56
PRA20-6188	19.5'	6" x .188	L' x 30 + 4 15.69	13.81	12.95	10.46	8.59	7.16	6.03	5.14
PBTS20-6188	19.5'	6" x .188	L' x 30 + 4 15.69	13.81	12.95	10.46	8.59	7.16	6.03	5.14
PRA25-6188	25'	6" x .188	L' x 30 + 4 9.74	8.46	8.07	6.38	5.12	4.17	3.43	2.85
PBTS25-6188	25'	6" x .188	L' x 30 + 4 9.74	8.46	8.07	6.38	5.12	4.17	3.43	2.85
PRA30-6188	30'	6" x .188	L' x 30 + 4 5.61	4.74	4.69	3.54	2.71	2.08	1.60	1.23
PRA30-6250	30'	6" x .188	L' x 30 + 4 11.37	9.88	9.42	7.45	5.99	4.88	4.02	3.34
PBTS30-6188	30'	6" x .188	L' x 30 + 4 5.61	4.74	4.69	3.54	2.71	2.08	1.6	1.23

- 2 Plan View** **Cat. No.** **Mounting Orientations**
- FM: Luminaire is flush mounted directly to top of pole
  - A/SA: Pole is drilled to mount a single luminaire directly to the side of pole
  - B/SB: Pole is drilled to mount two luminaires directly to the side of pole, 180 degrees apart
  - L/SL: Pole is drilled to mount two luminaires directly to the side of pole, 90 degrees apart
  - T/ST: Pole is drilled to mount three luminaires directly to the side of pole, 90 degrees apart
  - Y/SY: Pole is drilled to mount three luminaires directly to the side of pole, 120 degrees apart
  - C/SC: Pole is drilled to mount four luminaires directly to the side of pole, 90 degrees apart

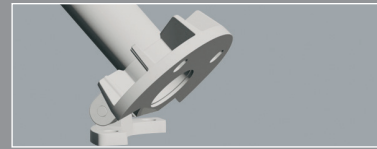
- Structural Luminaires Only - Examples:**
- TS: Single Tension for small and large Structural - PRA20-5188B-TS
  - TD: Double Tension for small and large Structural - PRA20-5188B-TD
  - TR: Truss for small and large Structural - PRA20-5188B-TR
  - XTS: Single Tension for 1000W Structural - PRA20-5188B-XTS
  - XTD: Double Tension for 1000W Structural - PRA20-5188B-XTD
  - XTR: Truss for 1000W Structural - PRA20-5188B-XTR
- \* See luminaire drilling requirements in luminaire catalog.



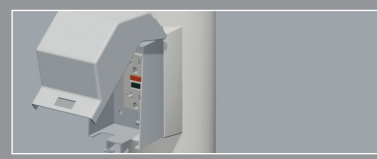
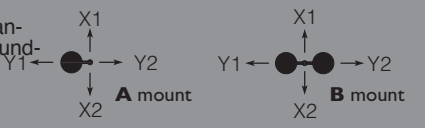
**3 Finish**  
Super TGIC powder coat paint over titanated zirconium conversion coating

Color:	Black	Dark Bronze	Light Gray	Stealth Gray	Platinum Silver	White	Custom Colors
Cat No.:	BL	DB	LG	SG	PS	WH	CC - Consult representative for custom colors.

**4 Options**



**Hinged Pole Base**  
Hinging Directions: The use of hinged bases requires pre-planning so poles hinge in a direction dictated by the surrounding environment.  
Add HB and hinging direction to ordering sequence.  
Example: HB-X1 NOTE: For FM mount, use HB-X1 base.



**Duplex Receptacle**  
Mounted opposite the handhole, at 22K" from base of pole, in a cast aluminum box that is internally welded and sealed with a gasketed self-closing cover and locking bracket. When decorative base cover is ordered, the receptacle is above the cover.  
DR Duplex Receptacle rated 20A., 125V.  
DR-GFI Duplex Receptacle with Ground Fault Circuit Interrupter rated 20A., 125V.

**Ordering Example**

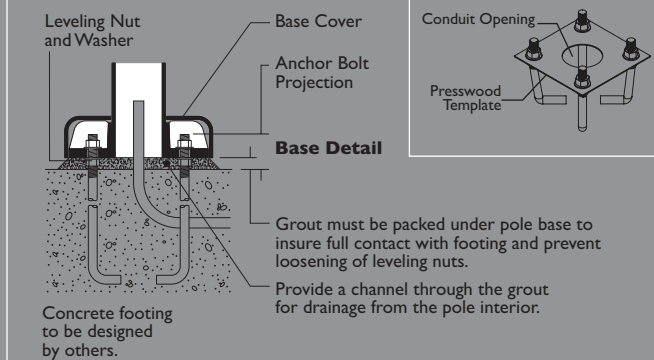
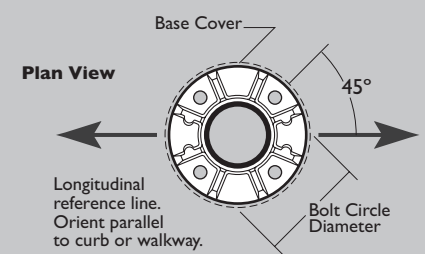
ORDERING EXAMPLE:	Pole-Orientation	Finish	Options
	PRA20-5188B	/ SG	/ HB-X1 / DR-GFI
	1-2	3	4

**Specifications**

**Pole Construction:** Seamless round extruded aluminum tube of alloy 6063-T6, welded to top and bottom of aluminum base casting of alloy 356.  
**Base Cover:** Base has a two piece cast aluminum full cover of 319 alloy, secured by stainless steel screws.  
**Pole Cap:** A flush-sided cast aluminum pole cap is provided for side arm mounted luminaires.  
**Handhole:** 18" up from base, with a gasketed cover and ground lug. Poles with a 3C" O.D. include a handhole reinforcement casting welded in place.  
**Anchor Bolts:** Four galvanized anchor bolts provided, complete with eight nuts, eight flat washers, and a presswood template.  
**Vibration Dampener:** All poles 25' and above include an internally mounted, factory installed pendulum vibration dampener, with flush stainless steel socket head fasteners finished to match pole.  
**Strength:** Poles will withstand wind loads as listed in chart when luminaires are mounted per fixture installation instructions.  
**Finish:** Super TGIC thermoset polyester powder coat paint applied over a chromate conversion coating. Custom colors are available and subject to additional charges, minimum quantities and longer lead times. Consult representative.  
PBTS models include adapter fitter for OTS Luminaires.

**Anchor Base and Bolt Detail (mm)**

Pole Diameter	Bolt Circle Diameter	Anchor Bolt Projection	Bolt Cover Size	Conduit Opening
3.375"(85.7)	7"(178)	3.13"(80)	9.5"(241)	2.5"(63)
4"(102)	7-8.5"(178-216)	3.25"(83)	11.88"(302)	3"(76)
5"(127)	8.5"(216)	3.25"(83)	11.88"(302)	3"(76)
6"(152)	10.5"(267)	3.38"(85)	14"(356)	5"(127)







# Round Steel (Non - Tapered) Poles

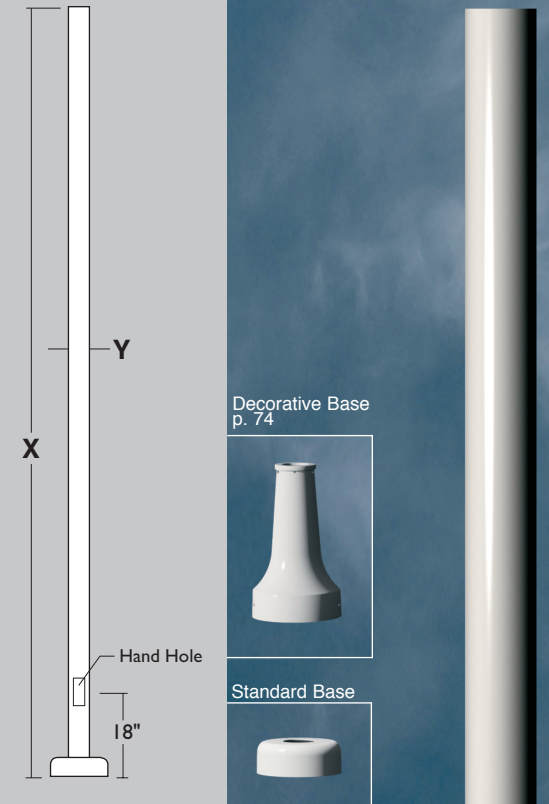
1 Pole Cat. No.	X	Y	A.B. Size	Allowable Pole EPA - Refer to wind map on p. 75						
				85 (38m/s)	90 (40m/s)	100 (45m/s)	110 (49m/s)	120 (54m/s)	130 (58m/s)	140 (63m/s)
KRS10-4120 7.09	10'	4" x 11ga.	L" x 15 + 3	21.61	19.07	17.41	14.07	11.53	9.63	8.22
KRS12-4120 5.37	12'	5" x 11ga.	L" x 15 + 3	17.33	15.22	13.84	11.05	8.94	7.38	6.26
KRS14-4120 4.06	14'	4" x 11ga.	L" x 15 + 3	14.18	12.37	11.18	8.79	6.98	5.67	4.78
KRS16-4120 3.01	16'	4" x 11ga.	L" x 15 + 3	11.72	10.13	9.09	7.01	5.42	4.30	3.58
KRS20-4120 1.31	19.5'	4" x 11ga.	L" x 30 + 4	7.77	6.55	5.75	4.13	2.91	2.10	1.65
KRS20-4180 3.09	19.5'	4" x 7ga.	L" x 30 + 4	12.67	10.92	9.77	7.46	5.70	4.48	3.70
KRS20-5120 3.93	19.5'	5" x 11ga.	L" x 30 + 4	13.57	11.62	10.35	8.26	6.73	5.56	4.65
KRS20-5180 6.86	19.5'	5" x 7ga.	L" x 30 + 4	21.60	18.79	16.94	13.71	11.31	9.47	8.02
KRS25-5120 1.87	25'	5" x 11ga.	L" x 30 + 4	8.46	6.97	6.00	4.61	3.63	2.88	2.31
KRS25-5180 4.10	25'	5" x 7ga.	L" x 30 + 4	14.59	12.44	11.03	8.77	7.12	5.86	4.88
KRS30-5180 2.18	30'	5" x 7ga.	L" x 30 + 4	9.84	8.12	6.99	5.37	4.23	3.36	2.70

- 2 Plan View Cat. No. Mounting Orientations**
- FM: Luminaire is flush mounted directly to top of pole
  - PT: Luminaire is tenon mounted with a slip-fitter or a cluster is used for floodlights. 2" pipe x 4" long (2.375" O.D.)
  - A/SA: Pole is drilled to mount a single luminaire directly to the side of pole
  - B/SB: Pole is drilled to mount two luminaires directly to the side of pole, 180 degrees apart
  - L/SL: Pole is drilled to mount two luminaires directly to the side of pole, 90 degrees apart
  - T/ST: Pole is drilled to mount three luminaires directly to the side of pole, 90 degrees apart
  - Y/SY: Pole is drilled to mount three luminaires directly to the side of pole, 120 degrees apart
  - C/SC: Pole is drilled to mount four luminaires directly to the side of pole, 90 degrees apart

**Structural Luminaires Only - Examples:**

- TS: Single Tension for small and large Structural - KRS20-5120B-TS
- TD: Double Tension for small and large Structural - KRS20-5120B-TD
- TR: Truss for small and large Structural - KRS20-5120SB-TR
- XTS: Single Tension for 1000W Structural - KRS20-5120B-XTS
- XTD: Double Tension for 1000W Structural - KRS20-5120B-XTD
- XTR: Truss for 1000W Structural - KRS20-5120B-XTR

\* See luminaire drilling requirements in luminaire catalog.



**3 Finish**  
Super TGIC powder coat paint over titanated zirconium conversion coating

Color:	Black	Dark Bronze	Light Gray	Stealth Gray	Platinum Silver	White	Custom Colors
Cat No.:	BL	DB	LG	SG	PS	WH	CC - Consult representative for custom colors.

**4 Options**



**Anchor Bolt Covers**  
(Full base cover is standard.)  
Four cast aluminum anchor bolt covers finished to match pole, fastened to base with stainless steel screws.  
BC4 4" pole Bolt Covers  
BC5 5" pole Bolt Covers



**Duplex Receptacle**  
Mounted opposite the handhole, at 22K" from base of pole, in a cast aluminum box that is internally welded and sealed with a gasketed self-closing cover and locking bracket. When decorative base cover is ordered, the receptacle is above the cover.  
DR Duplex Receptacle rated 20A., 125V.  
DR-GFI Duplex Receptacle with Ground Fault Circuit Interrupter rated 20A., 125V.

ORDERING EXAMPLE: Pole-Orientation / Finish / Options

KRS20-5120B	/	LG	/	BC4 / DR-GFI
1-2		3		4

**Specifications**

**Pole Construction:** One piece non-tapered round shaft of low carbon steel (ASTM-A500 Grade B, 42,000 PSI min. yield) with one flush-welded vertical seam. Shaft is welded to a flat steel anchor base (ASTM-36, 36,000 PSI min. yield).

**Base Cover:** Base has a two piece cast aluminum full cover of 319 alloy, secured by stainless steel screws. Optional anchor bolt covers available.

**Pole Cap:** A flush-sided cast aluminum pole cap is provided for side arm mounted luminaires. A rounded cast aluminum pole cap is provided for twin mounted luminaires (NS only).

**Handhole:** 18" up from base, with a gasketed cover and ground lug. 2" x 4" handhole provided on poles up to 16'. Reinforced 3" x 6" handhole provided on poles 20' and taller.

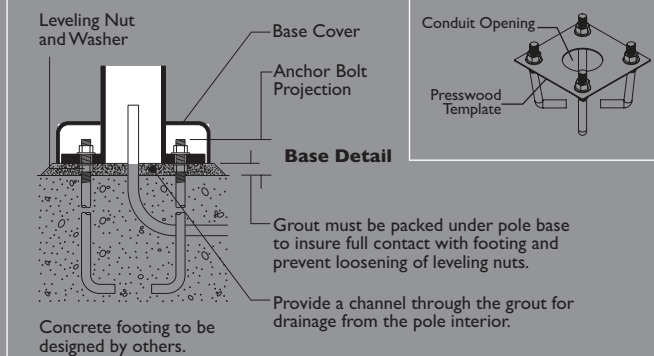
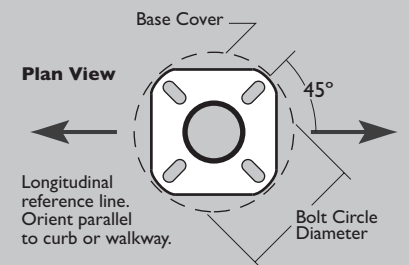
**Anchor Bolts:** Four fully galvanized anchor bolts provided (ASTM-36, 36,000 PSI min. yield), complete with eight galvanized nuts, eight galvanized flat washers, and a presswood template.

**Strength:** Poles will withstand wind loads as listed in chart when luminaires are mounted per fixture installation instructions.

**Finish:** Super TGIC thermoset polyester powder coat paint, 2.5 mil nominal thickness. 5 stage steel pretreatment to include phosphoric acid etch, followed by iron phosphate bath and chromate sealer for corrosion resistance. Custom colors are available and subject to additional charges, minimum quantities and longer lead times. Consult representative.

**Anchor Base and Bolt Detail (mm)**

Pole Diameter	Bolt Circle Diameter	Anchor Bolt Projection	Bolt Cover Size	Conduit Opening
4"(102)	7-8.5"(178-216)	3.25"(83)	11.88"(302)	3"(76)
5"(127)	7.5-8.5"(191-216)	3.25"(83)	11.88"(302)	3"(76)







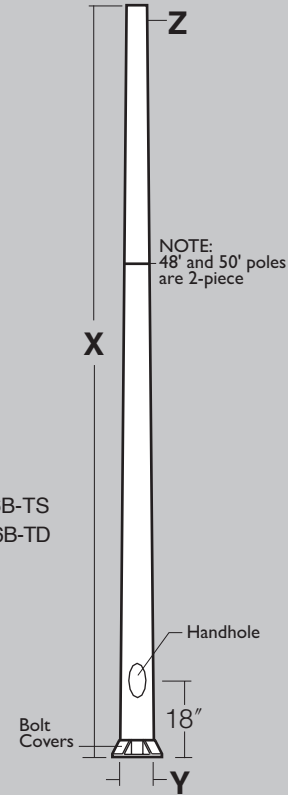
# Tapered Round Aluminum Poles

**1 Pole**  
Cat. No.

Allowable Pole EPA - Refer to wind map on p. 75

	X	Y	Z	A.B. Size	85 (38m/s)	90 (40m/s)	100 (45m/s)	110 (49m/s)	120 (54m/s)	130 (58m/s)	140 (63m/s)	150 (67m/s)
LTRA16-6156	16'	6" x .156	4"	L' x 30 + 4	21.80	19.36	17.93	14.70	12.26	10.30	8.67	7.36
LTRA16-6188	16'	6" x .188	4"	L' x 30 + 4	26.32	23.38	21.64	17.77	14.83	12.49	10.56	9.01
LTRA20-5156	20'	5" x .156	3"	L' x 30 + 4	9.67	8.51	7.98	6.45	5.30	4.42	3.73	3.18
LTRA20-5188	20'	5" x .188	3"	L' x 30 + 4	12.01	10.59	9.89	8.03	6.63	5.55	4.70	4.03
LTRA20-6156	20'	6" x .156	4"	L' x 30 + 4	15.75	13.94	12.96	10.58	8.77	7.30	6.04	5.03
LTRA20-6188	20'	6" x .188	4"	L' x 30 + 4	19.23	17.04	15.82	12.94	10.76	8.99	7.50	6.30
LTRA25-6156	25'	6" x .156	4"	L' x 30 + 4	10.73	9.44	8.85	7.15	5.88	4.79	3.84	3.06
LTRA25-6188	25'	6" x .188	4"	L' x 30 + 4	13.39	11.82	11.04	8.96	7.39	6.08	4.95	4.03
LTRA25-7156	25'	7" x .156	4"	L' x 30 + 4	16.32	14.43	13.44	10.95	8.85	7.19	5.88	4.81
LTRA25-8156	25'	8" x .156	4K"	L' x 36 + 4	16.32	14.43	13.44	10.95	8.85	7.19	5.88	4.81
LTRA30-7156	30'	7" x .156	4"	L' x 36 + 4	11.90	10.47	9.81	7.93	6.26	4.93	3.87	3.02
LTRA30-8156	30'	8" x .156	4K"	L' x 36 + 4	17.06	15.09	13.96	11.00	8.75	6.99	5.60	4.48
LTRA30-8188	30'	8" x .188	4K"	L' x 36 + 4	21.03	18.62	17.31	13.69	11.01	8.92	7.26	5.92
LTRA30-8250	30'	8" x .250	4K"	L' x 36 + 4	28.43	25.23	23.30	18.72	15.23	12.52	10.36	8.63
LTRA35-8156	35'	8" x .156	4K"	L' x 36 + 4	13.01	11.45	10.63	8.17	6.30	4.84	3.69	2.75
LTRA35-8188	35'	8" x .188	4K"	L' x 36 + 4	16.30	14.38	13.33	10.40	8.17	6.44	5.06	3.95
LTRA35-8250	35'	8" x .250	4K"	L' x 36 + 4	22.44	19.86	18.37	14.57	11.68	9.42	7.64	6.20
LTRA35-10188	35'	10" x .188	6"	L' x 48 + 6	28.03	24.51	22.20	17.56	14.03	11.29	9.11	7.35
LTRA39-8188	39'	8" x .188	4K"	L' x 36 + 4	13.29	11.68	10.85	8.28	6.33	4.81	3.60	2.63
LTRA39-8250	39'	8" x .250	4K"	L' x 36 + 4	18.68	16.49	15.28	11.94	9.40	7.43	5.86	4.63
LTRA39-10188	39'	10" x .188	6"	L' x 48 + 6	23.51	20.43	18.40	14.33	11.23	8.82	6.91	5.37
LTRA39-10250	39'	10" x .250	6"	L' x 48 + 6	32.23	28.20	25.56	20.25	16.20	13.06	10.56	8.55
LTRA48-10250	48'	10" x .250	6"	L' x 48 + 6	22.78	19.65	17.59	13.46	10.31	7.87	5.93	4.36
LTRA50-10250	50'	10" x .250	6"	L' x 42 + 6	15.85	13.44	9.65	6.85	4.72	3.07	1.75	-

- 2 Plan View** Cat. No. **Mounting Orientations**
- FM: Luminaire is flush mounted directly to top of pole
  - A/SA: Pole is drilled to mount a single luminaire directly to the side of pole
  - B/SB: Pole is drilled to mount two luminaires directly to the side of pole, 180 degrees apart
  - L/SL: Pole is drilled to mount two luminaires directly to the side of pole, 90 degrees apart
  - T/ST: Pole is drilled to mount three luminaires directly to the side of pole, 90 degrees apart
  - Y/SY: Pole is drilled to mount three luminaires directly to the side of pole, 120 degrees apart
  - C/SC: Pole is drilled to mount four luminaires directly to the side of pole, 90 degrees apart



**Structural Luminaires Only - Examples:**

- TS: Single Tension for small and large Structural - LTRA20-5156B-TS
- TD: Double Tension for small and large Structural - LTRA20-5156B-TD
- TR: Truss for small and large Structural - LTRA20-5156B-TR
- XTS: Single Tension for 1000W Structural - LTRA20-5156B-XTS
- XTD: Double Tension for 1000W Structural - LTRA20-5156B-XTD
- XTR: Truss for 1000W Structural - LTRA20-5156B-XTR

\* See luminaire drilling requirements in luminaire catalog.

**3 Finish**  
Standard TGIC powder coat paint over titanated zirconium conversion coating

Color:	Black	Dark Bronze	Light Gray	Stealth Gray	Platinum Silver	White	Custom Colors
Cat No.:	BL	DB	LG	SG	PS	WH	CC - Consult representative for custom colors.

ORDERING EXAMPLE: Pole-Orientation / Finish  
LTRA20-5156B / SG

**Specifications**

**Pole Construction:** Tapered by spinning and coldworking a seamless one piece extruded tube of aluminum alloy 6063-T6. After tapering, shaft is welded to a cast aluminum anchor base of alloy A356, heat-treated to T-6 temper, and rotary sand finished. Poles above 39' include a flush field joint approximately 26K' above base, with both sections taper spun.

**Bolt Covers:** Cast aluminum anchor bolt covers included.

**Pole Cap:** A flush-sided cast aluminum pole cap is provided for side arm mounted luminaires.

**Handhole:** Reinforced handhole with a gasketed cover and ground lug provided, 18" up from base. Cover mounts flush.

**Anchor Bolts:** Four galvanized anchor bolts provided, complete with eight nuts, eight flat washers, and a presswood template.

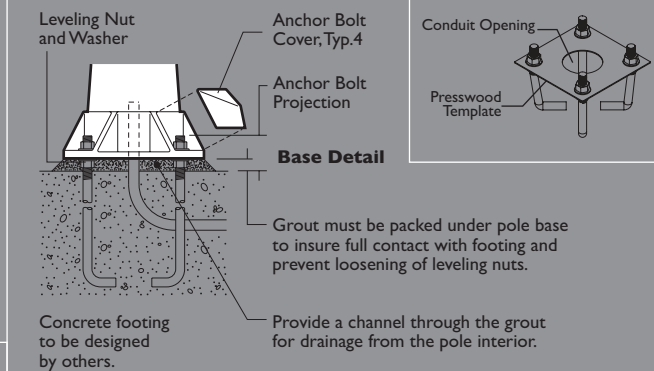
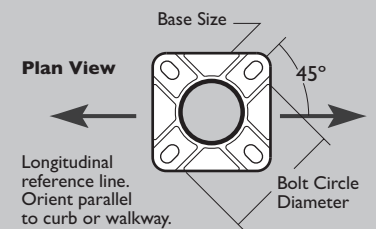
**Vibration Dampener:** Poles 20' and above include a mechanically fastened internal pendulum vibration dampener.

**Strength:** Poles will withstand wind loads as listed in chart when luminaires are mounted per fixture installation instructions.

**Finish:** Standard thermoset polyester powder coat paint. Custom colors are available and subject to additional charges, minimum quantities and longer lead times. Consult representative.

**Anchor Base and Bolt Detail (mm)**

Y Pole Diameter	Bolt Circle Diameter	Anchor Bolt Projection	Bolt Cover Size	Conduit Opening
5"(127)	9.5"(241)	3.25"(83)	9.25"(235)	4.5"(114)
6"(152)	9.5"(241)	3.25"(83)	10.25"(260)	5"(127)
7"(178)	11"(216)	3.5"(89)	10.75"(273)	3"(76)
8"(203)	11.5"(267)	3.5"(89)	11.63"(295)	5"(127)
10"(254)	14.75"(267)	4.75"(121)	14.5"(368)	6"(152)





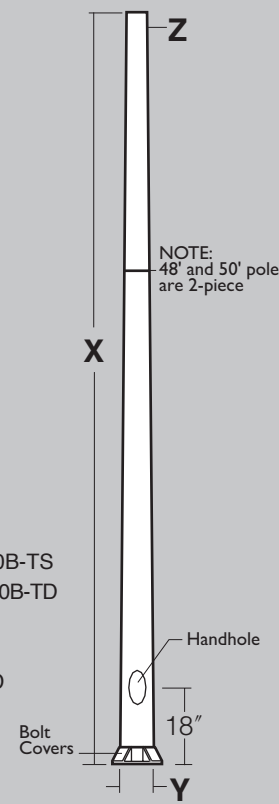


# Tapered Round Steel Poles

**1 Pole**

Cat. No.	X	Y	Z	A.B. Size	Allowable Pole EPA - Refer to wind map on p. 75								
					85 (38m/s)	90 (40m/s)	100 (45m/s)	110 (49m/s)	120 (54m/s)	130 (58m/s)	140 (63m/s)	150 (67m/s)	
PTRS20-61120 10.14	20'	6.1" x .11ga.	3.3 <sup>2</sup>	L" x 30 + 4									
PTRS20-65120 11.64	20'	6.5" x .11ga.	3.7 <sup>2</sup>	1" x 36 + 4	34.07	30.29	28.01	23.01	19.23	16.11	13.64		
PTRS25-68120	25'	6.8" x .11ga.	3.3 <sup>2</sup>	L" x 30 + 4	27.59	24.49	22.69	18.60	15.47	12.86	10.79	9.12	
PTRS25-7120	25'	6.8" x .11ga.	3.3 <sup>2</sup>	1" x 36 + 4	28.47	25.24	23.43	19.16	15.93	13.44	11.47	9.77	
PTRS30-75120	30'	7.5" x .11ga.	3.3 <sup>2</sup>	1" x 36 + 4	25.50	22.57	20.99	17.13	14.21	11.95	10.02	8.38	
PTRS30-81120	30'	8.1" x .11ga.	3.9 <sup>2</sup>	1" x 36 + 4	30.65	27.16	25.22	20.62	17.14	14.27	11.89	9.97	
PTRS35-85120	35'	8.5" x .11ga.	3.6 <sup>2</sup>	1" x 36 + 4	27.28	24.14	22.46	18.32	15.11	12.37	10.19	8.44	
PTRS39-9120	39'	9" x .11ga.	3.5 <sup>2</sup>	1" x 36 + 4	26.45	23.39	21.78	17.74	14.33	11.63	9.48	7.75	
PTRS45-10120	45'	10" x .11ga.	3.9 <sup>2</sup>	1" x 36 + 4	27.15	23.98	22.36	17.61	13.99	11.17	8.93	7.13	
PTRS50-10120	50'	10" x .11ga.	3.9 <sup>2</sup>	1" x 36 + 4	17.18	15.08	11.84	8.87	6.60	4.83	3.43	2.30	
PTRS50-11188	50'	11" x .11ga.	4.2	1J" x 42 + 6	35.90	31.78	24.65	19.30	15.24	12.07	9.56	7.54	

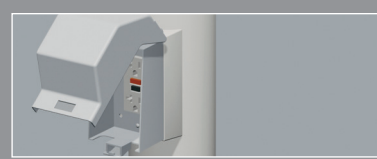
- 2 Plan View**
- Cat. No. Mounting Orientations**
- FM: Luminaire is flush mounted directly to top of pole
  - PT: Luminaire is tenon mounted with a slip-fitter or a cluster is used for floodlights. 2" pipe x 4" long (2.375" O.D.)
  - A/SA: Pole is drilled to mount a single luminaire directly to the side of pole
  - B/SB: Pole is drilled to mount two luminaires directly to the side of pole, 180 degrees apart
  - L/SL: Pole is drilled to mount two luminaires directly to the side of pole, 90 degrees apart
  - T/ST: Pole is drilled to mount three luminaires directly to the side of pole, 90 degrees apart
  - Y/SY: Pole is drilled to mount three luminaires directly to the side of pole, 120 degrees apart
  - C/SC: Pole is drilled to mount four luminaires directly to the side of pole, 90 degrees apart
- Structural Luminaires Only - Examples:
- TS: Single Tension for small and large Structural - PTRS25-7120B-TS
  - TD: Double Tension for small and large Structural - PTRS25-7120B-TD
  - TR: Truss for small and large Structural - PTRS25-7120SB-TR
  - XTS: Single Tension for 1000W Structural - PTRS25-7120B-XTS
  - XTD: Double Tension for 1000W Structural - PTRS25-7120B-XTD
  - XTR: Truss for 1000W Structural - PTRS25-7120B-XTR
- \* See luminaire drilling requirements in luminaire catalog.



**3 Finish**  
Standard TGIC powder coat paint over titanated zirconium conversion coating

Color: Black Dark Bronze Light Gray Stealth Gray Platinum Silver White Custom Colors  
Cat No.: BL DB LG SG PS WH CC - Consult representative for custom colors.

**4 Options**



**Duplex Receptacle**  
Mounted opposite the handhole, at 22K" from base of pole, in a cast aluminum box that is internally welded and sealed with a gasketed self-closing cover and locking bracket. When decorative base cover is ordered, the receptacle is above the cover.  
DR Duplex Receptacle rated 20A., 125V.  
DR-GFI Duplex Receptacle with Ground Fault Circuit Interrupter rated 20A., 125V.

**Specifications**

**Pole Construction:** One piece tapered round shaft of high tensile carbon steel (55,000 PSI min. yield) with one vertical welded seam, ground flush to the shaft. Poles above 39' include an overlapping tapered slip-fit field joint (at 25K' for PTRS45-10120 and PTRS50-10120, and at 39' for PTRS50-11188), with both sections taper spun. Shaft is welded to a flat steel anchor base.

**Bolt Covers:** Cast aluminum anchor bolt covers with stainless steel hold down screws included.

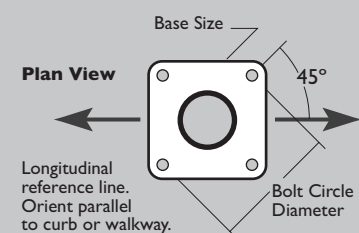
**Pole Cap:** A flush-sided cast aluminum pole cap is provided for side arm mounted luminaires.

**Handhole:** 4" x 6K" reinforced oval handhole with a gasketed cover and grounding nut provided, 18" up from base.

**Anchor Bolts:** Four galvanized anchor bolts provided, complete with eight nuts, eight flat washers, and a presswood template.

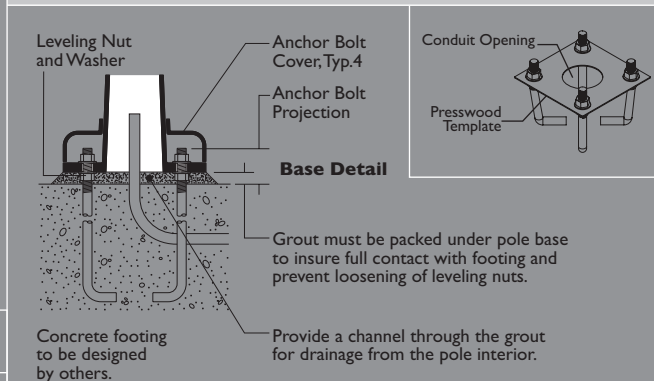
**Strength:** Poles will withstand wind loads as listed in chart when luminaires are mounted per fixture installation instructions.

**Finish:** Standard TGIC thermoset polyester powder coat paint, 2.5 mil nominal thickness. Custom colors are available and subject to additional charges, minimum quantities and longer lead times. Consult representative.



**Anchor Base and Bolt Detail (mm)**

Pole Diameter	Bolt Circle Diameter	Anchor Bolt Projection	Bolt Cover Size	Conduit Opening



ORDERING EXAMPLE: Pole-Orientation / Finish / Options  
PTRS25-7120B / SG / DR-GFI



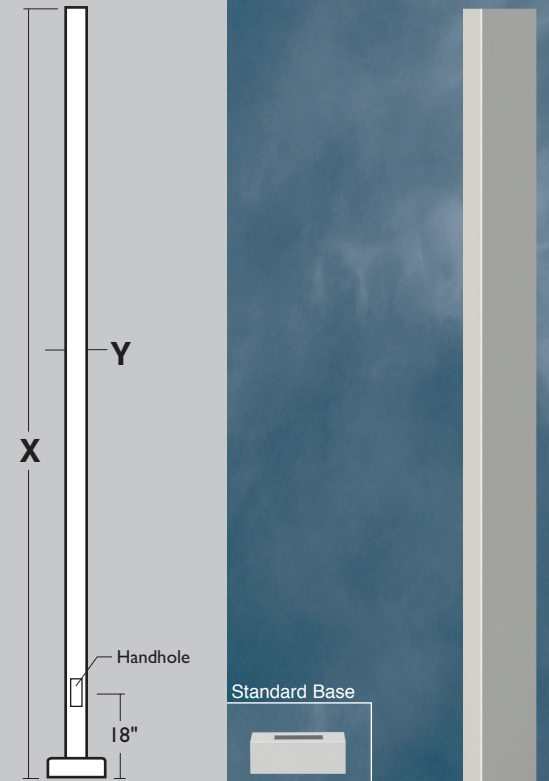


# Square Aluminum (Non-Tapered) Poles

1 Pole Cat. No.	X	Y	A.B. Size	Allowable Pole EPA - Refer to wind map on p. 75								
				85 (38m/s)	90 (40m/s)	100 (45m/s)	110 (49m/s)	120 (54m/s)	130 (58m/s)	140 (63m/s)	150 (67m/s)	
PSA12-4125	12'	4" x .125	L' x 15 + 3	12.82	11.05	9.88	7.53	5.75	4.36	3.26	2.37	
PSA14-4125	14'	4" x .125	L' x 15 + 3	9.87	8.34	7.34	5.33	3.80	2.61	1.67	-	
PSA14-4188	14'	4" x .188	L' x 15 + 3	18.08	15.67	14.09	10.90	8.48	6.60	5.11	3.90	
PSA16-4125	16'	4" x .125	L' x 15 + 3	7.50	6.16	5.29	3.53	2.19	1.15	-	-	
PSA16-4188	16'	4" x .188	L' x 15 + 3	14.68	12.57	11.19	8.40	6.29	4.64	3.33	2.28	
PSA20-4188	19.5'	4" x .188	L' x 30 + 4	9.70	8.07	7.00	4.85	3.22	1.94	0.93	-	
PSA20-5188	19.5'	5" x .188	L' x 30 + 4	16.80	14.19	12.47	9.01	6.39	4.34	2.72	1.41	
PSA25 <sup>1</sup> -5400	25'	5" x .400	L' x 30 + 4	14.79	12.23	10.55	7.18	4.62	2.62	1.04	-	
PSA30 <sup>2</sup> -6400	30'	6" x .400	L' x 30 + 4	14.73	11.79	9.86	5.98	3.03	-	-	-	
PSA30 <sup>3</sup> -66500	30'	6.6" x .500	L' x 30 + 4	29.42	24.74	21.67	15.51	10.82	7.16	4.27	1.93	

<sup>1</sup>Pole reinforced to 40' above base, to .400', remaining section is .188'  
<sup>2</sup>Pole reinforced to 40' above base, to .400', remaining section is .250'  
<sup>3</sup>Pole reinforced to 40' above base, to .500', remaining section is .250'

- 2 Plan View Cat. No. Mounting Orientations
- FM: Luminaire is flush mounted directly to top of pole
  - A/SA: Pole is drilled to mount a single luminaire directly to the side of pole
  - B/SB: Pole is drilled to mount two luminaires directly to the side of pole, 180 degrees apart
  - L/SL: Pole is drilled to mount two luminaires directly to the side of pole, 90 degrees apart
  - T/ST: Pole is drilled to mount three luminaires directly to the side of pole, 90 degrees apart
  - C/SC: Pole is drilled to mount four luminaires directly to the side of pole, 90 degrees apart



Structural Luminaires Only - Examples:

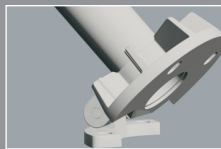
- TS: Single Tension for small and large Structural - PSA20-5188B-TS
- TD: Double Tension for small and large Structural - PSA20-5188B-TD
- TR: Truss for small and large Structural - PSA20-5188B-TR
- XTS: Single Tension for 1000W Structural - PSA20-5188B-XTS
- XTD: Double Tension for 1000W Structural - PSA20-5188B-XTD
- XTR: Truss for 1000W Structural - PSA20-5188B-XTR

\* See luminaire drilling requirements in luminaire catalog.

3 Finish  
 Super TGIC powder coat paint over titanated zirconium conversion coating

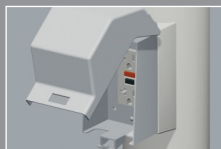
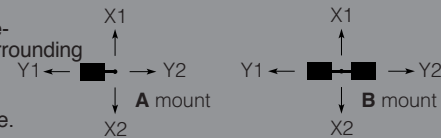
Color:	Black	Dark Bronze	Light Gray	Stealth Gray	Platinum Silver	White	Custom Colors
Cat No.:	BL	DB	LG	SG	PS	WH	CC - Consult representative for custom colors.

4 Options



Hinged Pole Base

Hinging Directions: The use of hinged bases requires pre-planning so poles hinge in a direction dictated by the surrounding environment.  
 Add HB and hinging direction to ordering sequence.  
 Example: HB-X1 NOTE: For FM mount, use HB-X1 base.

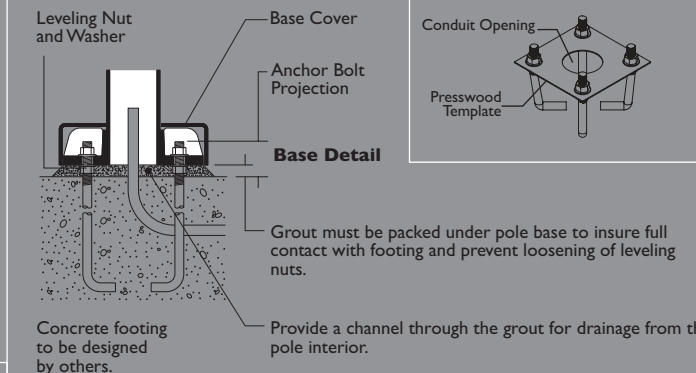
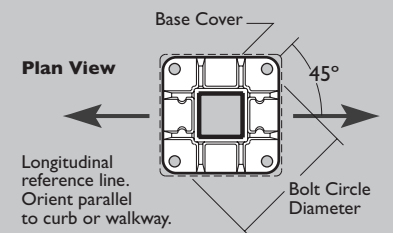


Duplex Receptacle

Mounted opposite the handhole, at 22K" from base of pole, in a cast aluminum box that is internally welded and sealed with a gasketed self-closing cover and locking bracket. When decorative base cover is ordered, the receptacle is above the cover.  
 DR Duplex Receptacle rated 20A., 125V.  
 DR-GFI Duplex Receptacle with Ground Fault Circuit Interrupter rated 20A., 125V.

Specifications

Pole Construction: Seamless square extruded aluminum tube of alloy 6063-T6, welded to top and bottom of aluminum base casting of alloy 356.  
 Base Cover: Base has a two piece cast aluminum full cover of 319 alloy, secured by stainless steel screws.  
 Pole Cap: A flush-sided cast aluminum pole cap is provided for side arm mounted luminaires.  
 Handhole: 18" up from base, with a gasketed cover and ground lug.  
 Anchor Bolts: Four galvanized anchor bolts provided, complete with eight nuts, eight flat washers, and a presswood template.  
 Reinforcing Sleeve: All poles 25' and above include an internal aluminum reinforcing sleeve, welded at the base.  
 Strength: Poles will withstand wind loads as listed in chart when luminaires are mounted per fixture installation instructions.  
 Finish: Super TGIC thermoset polyester powder coat paint applied over a chromate conversion coating. Custom colors are available and subject to additional charges, minimum quantities and longer lead times. Consult representative.



Anchor Base and Bolt Detail (mm)

Pole Diameter	Bolt Circle Diameter	Anchor Bolt Projection	Bolt Cover Size	Conduit Opening
4"(102)	11"(279)	3.13"(79)	10.5"(267)	3"(76)
5"(127)	11"(279)	3.25"(83)	11.5"(292)	3"(76)
6"(152)	12.5"(318)	3.5"(89)	12"(305)	5"(127)
6.64"(169)	14.5"(368)	3.87"(98)	14.5"(368)	5"(127)

ORDERING EXAMPLE: Pole-Orientation PSA20-5188B / Finish SG / Options HB-X1 / DR-GFI

1-2 3 4





# Square Steel (Non-Tapered) Poles

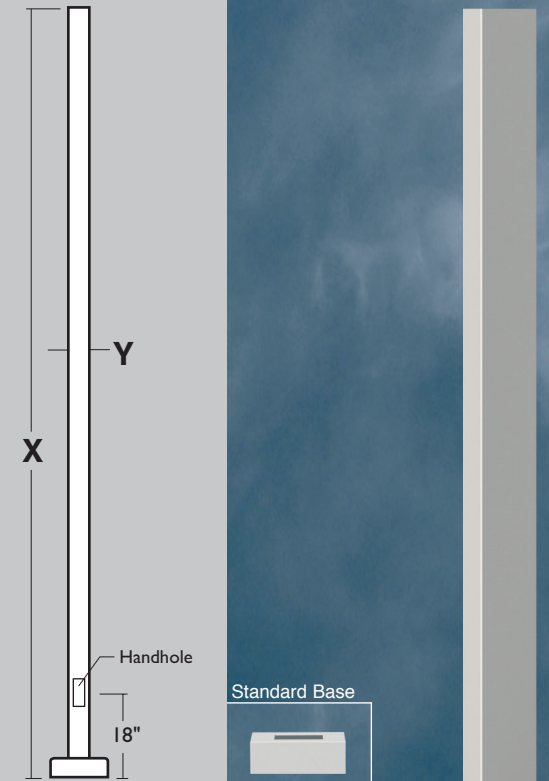
1 Pole Cat. No.	X	Y	A.B. Size	Allowable Pole EPA - Refer to wind map on p. 75							
				85 (38m/s)	90 (40m/s)	100 (45m/s)	110 (49m/s)	120 (54m/s)	130 (58m/s)	140 (63m/s)	150 (67m/s)
KSS10-4120 11.14	10'	4" x 11 ga.	L" x 15 + 3	34.16	24.44	22.30	17.99	14.72	12.17	10.15	
KSS12-4120 8.52	12'	4" x 11 ga.	L" x 15 + 3	27.70	20.17	18.34	14.65	11.84	9.66	7.93	
KSS14-4120 6.53	14'	4" x 11 ga.	L" x 15 + 3	22.97	16.87	15.26	12.04	9.58	7.67	6.15	
KSS16-4120 4.93	16'	4" x 11 ga.	L" x 15 + 3	19.32	13.78	11.90	10.66	8.16	6.27	4.80	
KSS20-4120 2.68	19.5'	4" x 11 ga.	L" x 30 + 4	13.78	11.90	10.66	8.16	6.27	4.80	3.63	
KSS20-4180 5.45	19.5'	4" x 7 ga.	L" x 30 + 4	21.36	18.65	16.87	13.30	10.59	8.48	6.80	
KSS25-4120 -	25'	4" x 11 ga.	L" x 30 + 4	8.55	7.11	6.16	4.26	2.61	1.69	0.80	
KSS25-4180 2.18	25'	4" x 7 ga.	L" x 30 + 4	14.33	12.26	10.91	8.18	6.11	4.50	3.22	
KSS25-5120 1.75	25'	5" x 11 ga.	L" x 30 + 4	15.24	12.94	11.44	8.41	6.11	4.32	2.90	
KSS25-5180 5.21	25'	5" x 7 ga.	L" x 30 + 4	24.71	21.40	19.22	14.84	11.52	8.93	6.87	
KSS30-4180 -	30'	4" x 7 ga.	L" x 30 + 4	9.80	8.14	7.06	4.87	3.21	1.91	-	
KSS30-5180 2.07	30'	5" x 7 ga.	L" x 30 + 4	17.71	15.05	13.30	9.79	7.12	5.04	3.40	

- 2 Plan View Cat. No. Mounting Orientations
- FM: Luminaire is flush mounted directly to top of pole
  - PT: Luminaire is tenon mounted with a slip-fitter or a cluster is used for floodlights. 2" pipe x 4" long (2.375" O.D.)
  - A/SA: Pole is drilled to mount a single luminaire directly to the side of pole
  - B/SB: Pole is drilled to mount two luminaires directly to the side of pole, 180 degrees apart
  - L/SL: Pole is drilled to mount two luminaires directly to the side of pole, 90 degrees apart
  - T/ST: Pole is drilled to mount three luminaires directly to the side of pole, 90 degrees apart
  - C/SC: Pole is drilled to mount four luminaires directly to the side of pole, 90 degrees apart

Structural Luminaires Only - Examples:

- TS: Single Tension for small and large Structural - KSS20-4128B-TS
- TD: Double Tension for small and large Structural - KSS20-4128B-TD
- TR: Truss for small and large Structural - KSS20-4128B-TR
- XTS: Single Tension for 1000W Structural - KSS20-4128B-XTS
- XTD: Double Tension for 1000W Structural - KSS20-4128B-XTD
- XTR: Truss for 1000W Structural - KSS20-4128B-XTR

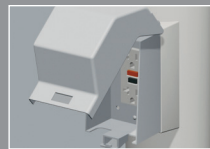
\* See luminaire drilling requirements in luminaire catalog.



3 Finish  
Super TGIC powder coat paint over titanated zirconium conversion coating

Color:	Black	Dark Bronze	Light Gray	Stealth Gray	Platinum Silver	White	Custom Colors
Cat No.:	BL	DB	LG	SG	PS	WH	CC - Consult representative for custom colors.

4 Options



### Duplex Receptacle

Mounted opposite the handhole, at 22K" from base of pole, in a cast aluminum box that is internally welded and sealed with a gasketed self-closing cover and locking bracket. When decorative base cover is ordered, the receptacle is above the cover.

- DR Duplex Receptacle rated 20A., 125V.
- DR-GFI Duplex Receptacle with Ground Fault Circuit Interrupter rated 20A., 125V.

### Specifications

**Pole Construction:** One piece non-tapered square shaft of low carbon steel (ASTM-A500, Grade B, 46,000 PSI min. yield) with one flush-welded vertical seam. Shaft is welded to a flat steel anchor base (ASTM-36, 36,000 PSI min. yield).

**Base Cover:** Base has a two piece cast aluminum full cover of 319 alloy, secured by stainless steel screws.

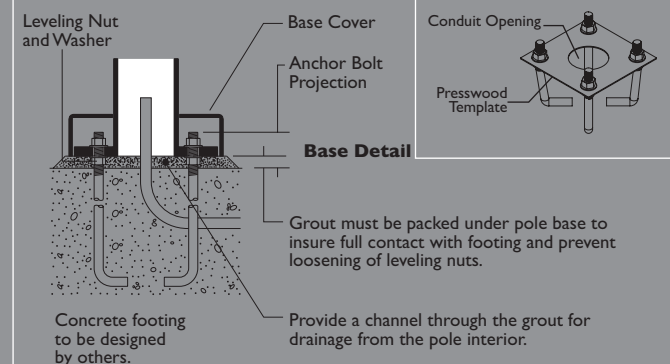
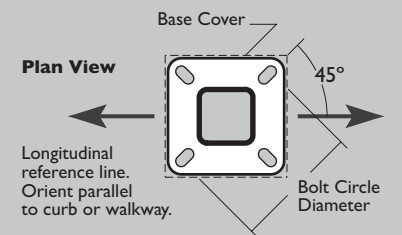
**Pole Cap:** A flush-sided cast aluminum pole cap is provided for side arm mounted luminaires.

**Handhole:** 18" up from base, with a gasketed cover and ground lug. 2" x 4" handhole provided on poles up to 16'. Reinforced 3" x 6" handhole provided on poles 20' and taller.

**Anchor Bolts:** Four fully galvanized anchor bolts provided (ASTM-36, 36,000 PSI min. yield), complete with eight galvanized nuts, eight galvanized flat washers, and a presswood template.

**Strength:** Poles will withstand wind loads as listed in chart when luminaires are mounted per fixture installation instructions.

**Finish:** Super TGIC thermoset polyester powder coat paint, 2.5 mil nominal thickness. 5 stage steel pretreatment to include phosphoric acid etch, followed by iron phosphate bath and chromate sealer for corrosion resistance. Custom colors are available and subject to additional charges, minimum quantities and longer lead times. Consult representative.



### Anchor Base and Bolt Detail (mm)

Pole Diameter	Bolt Circle Diameter	Anchor Bolt Projection	Bolt Cover Size	Conduit Opening
4"(102)	7.5-8.5"(191-216)	3.13"(79)	10.5"(267)	3"(76)
5"(127)	7.5-8.5"(191-216)	3.25"(83)	11.5"(292)	3"(76)

ORDERING EXAMPLE: Pole-Orientation / Finish / Options  
KSS20-4128B / LG / DR-GFI

1-2 3 4



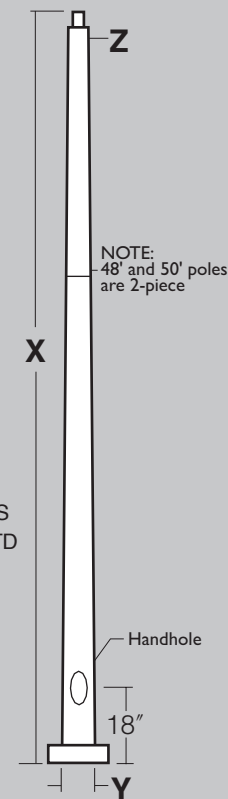
# Tapered Square Steel Poles

**1 Pole**  
Cat. No.

Allowable Pole EPA - Refer to wind map on p. 75

	X	Y	Z	A.B. Size	85 (38m/s)	90 (40m/s)	100 (45m/s)	110 (49m/s)	120 (54m/s)	130 (58m/s)	140 (63m/s)	150 (67m/s)
PTSS20-52120	20'	5J" x 11 ga.	3J"	1" x 36 + 4	32.52	28.54	25.93	20.69	16.71	13.60	11.14	9.15
PTSS25-62120	25'	6J" x 11 ga.	3L"	1" x 36 + 4	34.25	29.90	27.05	21.31	16.95	13.56	10.86	8.69
PTSS30-62120	30'	6J" x 11 ga.	3J"	1" x 36 + 4	25.70	22.21	19.92	15.32	11.83	9.10	6.94	5.20
PTSS35-71120	35'	7F" x 11 ga.	3C"	1" x 36 + 4	27.29	23.44	20.92	15.84	11.99	8.98	6.60	4.68
PTSS39-71120	39'	7F" x 11 ga.	2E"	1" x 48 + 6	22.41	19.03	16.82	12.37	8.98	6.35	4.26	2.57
PTSS39-71188	39'	7B" x 7 ga.	2E"	1" x 48 + 6	36.12	31.27	28.09	21.69	16.82	13.04	10.03	7.61
PTSS45-8188	45'	8" x 7 ga.	3L"	1" x 15 + 3	36.16	30.97	27.56	20.71	15.50	11.45	8.23	5.64
PTSS45-9188	45'	9" x 7 ga.	4L"	1J" x 42 + 6	47.37	40.74	36.40	27.66	21.02	15.85	11.75	8.44
PTSS50-8188	50'	8" x 7 ga.	3J"	1J" x 42 + 6	21.57	17.87	12.07	7.78	4.52	1.97	-	-
PTSS50-9250	50'	9" x 3 ga.	3C"	1K" x 54 + 6	44.17	37.77	27.74	20.31	14.66	10.27	6.78	3.97

- 2 Plan View** Cat. No. **Mounting Orientations**
- PT: Luminaire is tenon mounted with a slip-fitter or a cluster is used for floodlights. 2" pipe x 4" long (2.375" O.D.)
  - A/SA: Pole is drilled to mount a single luminaire directly to the side of pole
  - B/SB: Pole is drilled to mount two luminaires directly to the side of pole, 180 degrees apart
  - L/SL: Pole is drilled to mount two luminaires directly to the side of pole, 90 degrees apart
  - T/ST: Pole is drilled to mount three luminaires directly to the side of pole, 90 degrees apart
  - C/SC: Pole is drilled to mount four luminaires directly to the side of pole, 90 degrees apart



**Structural Luminaires Only - Examples:**

- TS: Single Tension for small and large Structural - PTSS25-6212B-TS
- TD: Double Tension for small and large Structural - PTSS25-6212B-TD
- TR: Truss for small and large Structural - PTSS25-6212SB-TR
- XTS: Single Tension for 1000W Structural - PTSS25-6212B-XTS
- XTD: Double Tension for 1000W Structural - PTSS25-6212B-XTD
- XTR: Truss for 1000W Structural - PTSS25-6212B-XTR

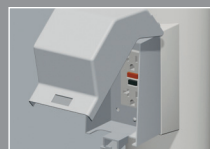
\* See luminaire drilling requirements in luminaire catalog.

Standard Base

**3 Finish**  
Super TGIC powder coat paint over titanated zirconium conversion coating

Color: Black Dark Bronze Light Gray Stealth Gray Platinum Silver White Custom Colors  
Cat No.: BL DB LG SG PS WH CC - Consult representative for custom colors.

**4 Options**



**Duplex Receptacle**

Mounted opposite the handhole, at 22K" from base of pole, in a cast aluminum box that is internally welded and sealed with a gasketed self-closing cover and locking bracket. When decorative base cover is ordered, the receptacle is above the cover.

DR Duplex Receptacle rated 20A., 125V.  
DR-GFI Duplex Receptacle with Ground Fault Circuit Interrupter rated 20A., 125V.

ORDERING EXAMPLE: Pole-Orientation / Finish / Options  
PTSS25-6212B / LG / DR-GFI

**Specifications**

**Pole Construction:** One piece tapered square shaft of high tensile carbon steel (55,000 PSI min. yield) with one flush-welded vertical seam. Shaft is welded to a flat steel anchor base. Poles above 39' include an overlapping tapered slip-fit field joint at 36K', with both sections tapered.

**Base Cover:** Poles 39' and shorter include a two piece cast aluminum full base cover of 319 alloy, secured with stainless steel screws. Poles above 39' include a fabricated steel base cover, secured with stainless steel screws.

**Pole Cap / Post Top Tenon:** a flush-sided cast aluminum pole cap is included for side arm mounted luminaires (overlapping pole cap with PTSS45-9188 and PTSS50-9250). For all poles with post top mounted luminaires, a 2" pipe-size tenon (2C" O.D. x 4K" long) is provided.

**Handhole:** 18" up from base, with a gasketed cover and grounding nut. 3' x 5" reinforced oval handhole provided on 20' poles. 4" x 6K" reinforced oval handhole provided on poles 25' and taller.

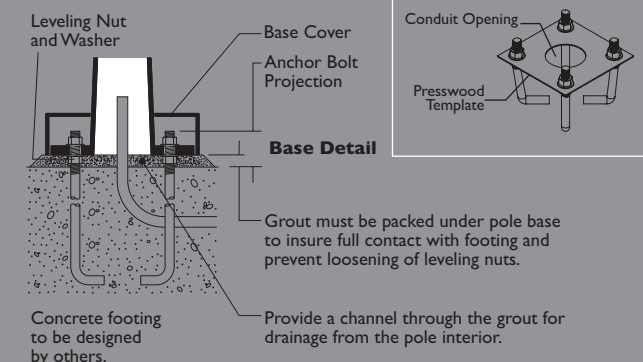
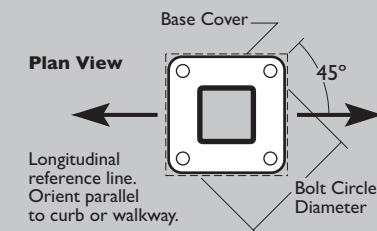
**Anchor Bolts:** Four galvanized anchor bolts provided, complete with eight nuts, eight flat washers, and a presswood template.

**Strength:** Poles will withstand wind loads as listed in chart when luminaires are mounted per fixture installation instructions.

**Finish:** Standard thermoset polyester powder coat paint. Custom colors are available and subject to additional charges, minimum quantities and longer lead times. Consult representative.

**Anchor Base and Bolt Detail (mm)**

Pole Diameter	Bolt Circle Diameter	Anchor Bolt Projection	Bolt Cover Size	Conduit Opening
6"(152)	9.5"(241)	3.25"(83)	10.25"(260)	5"(127)
7"(178)	11"(216)	3.5"(89)	10.75"(273)	3"(76)
8"(203)	11.5"(267)	3.5"(89)	11.63"(295)	5"(127)
9"(229)	12.5"(318)	3.875"(98)	12.75"(324)	7"(178)
11"(279)	15"(267)	4.25"(108)	15"(267)	7"(178)



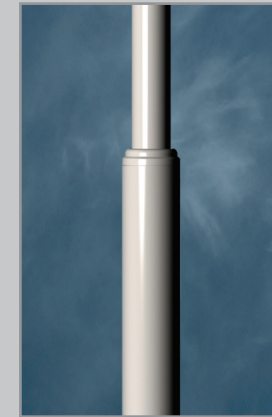


# Poles - Heritage Series

Stepped Aluminum Smooth Poles	68 - 69
Stepped Aluminum Fluted Poles	70 - 71
Round Aluminum Poles	72 - 73
Pole Base & Finial Selections	74
Wind Map	75
Retro-Fit Mount	76 - 77
Optical Centerline Matrix	78 - 79
Contemporary & Heritage Luminaire Catalogs	80 - 81

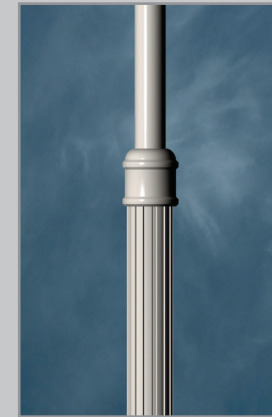


## Premium Pole Selection



Stepped Aluminum Smooth  
p. 66

Stepped Smooth Poles are designed to provide the heritage look without overpowering the luminaire. While these poles can be dressed up with the Traditional Base Cover, they look best when the smooth Era Base Cover or Decorative Base Cover is used. In this pole configuration, the lower section is always 2/3 of the pole height.



Stepped Aluminum Fluted  
p. 68

Stepped Fluted Poles provide the most vivid heritage look, particularly when the Traditional Base Cover is selected. In this pole configuration, the fluted lower section is always 2/3 of the pole height, and transitions to the upper smooth section through a cast decorative collar.



Round Aluminum  
p. 70

Straight Poles provide the most economical solution to the heritage look, emphasizing the luminaire rather than the pole. By adding the Decorative Base Cover and a Pole Top Finial, a stronger visual tie to the luminaire is created, and a stronger overall heritage look is established.

### Kim Lighting's Heritage Pole Series

Unlike contemporary luminaires where the fixture design is dominant over the pole, heritage style luminaires rely on the pole and arm to complete the overall design statement. Kim's heritage style luminaires are designed to be simple and elegant fixtures that are universal in application, and not period-specific. Now, Kim has applied this same design approach to poles and arms, creating a system of components that assemble into a broad vocabulary of looks that complement Kim heritage style luminaires. In combination, Kim heritage style luminaires, arms, and poles provide an elegant outdoor lighting design statement that will stand the test of time.

Like all Kim products, Kim Lighting's Poles and Arms are constructed of heavy cast and extruded aluminum components. Only low-copper-content aluminum is used to promote maximum longevity in the outdoor environment, and the finish is a premium powder coating applied over a titanated zirconium conversion coating for maximum adhesion. Furthermore, there are no visible welds anywhere on the arms or poles to distract from the design. Simple, elegant and timeless, the Kim Heritage Collection of products can provide a solution for every outdoor lighting application.

**Caution:** Installation of poles without luminaire(s) will compromise pole strength. Any accessories attached to pole, or other modifications will compromise pole strength and may result in pole failure.

**Maintenance:** A regularly scheduled maintenance program must be established to insure the protective paint coating is intact, corrosion or structural damage has not occurred, and anchor bolt nuts are tight. Failure to do so could lead to pole collapse and serious personal injury.

**Note:** All allowable pole and fixture EPAs are derived from the AASHTO standard. Responsibility lies with specifier for correct pole selection based on local codes and standards for the job. Refer to luminaire and arm catalog for proper fixture limitations of pole.



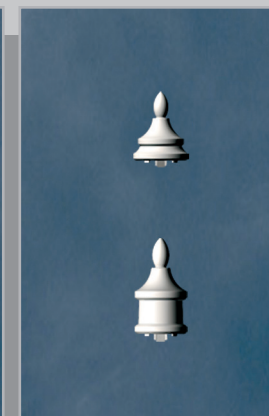
Heritage Standard Base Cover  
p. 74



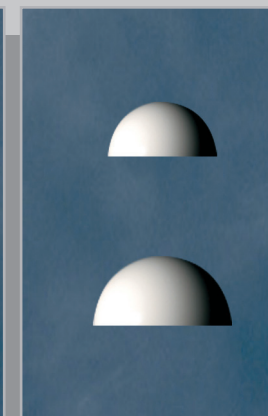
Decorative Base Cover  
p. 74



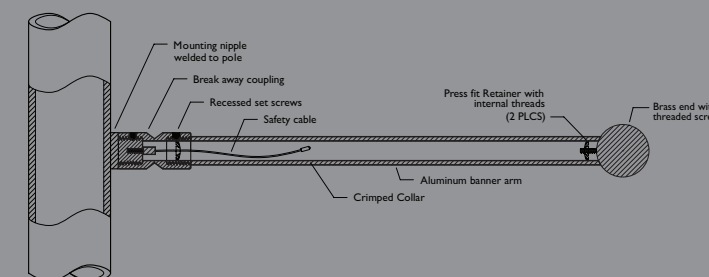
Traditional Base Cover  
p. 74



Finials  
p. 74



Dome Pole Cap  
p. 74



### BreakAway Banner Arm

The breakaway coupling is designed to fail before over-stressing the pole. An internal, stainless steel cable keeps the arm attached to the pole assembly. The failure point for the coupling is affected by the banner type, pole height and vertical location of the banner on the pole. The loading is also affected by securing the banner at the top only, or the top and bottom. Contact the factory for the maximum banner size recommended for your application.





# Era Stepped Aluminum Smooth Poles

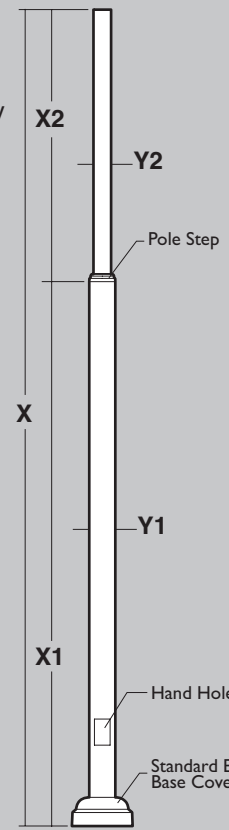
**1 Pole**

Cat. No.	X	X1	X2	Y1	Y2	A.B. Size	Allowable Pole EPA - Refer to wind map on p. 75							
							85 (38m/s)	90 (40m/s)	100 (45m/s)	110 (49m/s)	120 (54m/s)	130 (58m/s)	140 (63m/s)	150 (67m/s)
HSAS10-534188	10'	6.5	3.5	5" x .188	3.375"	L" x 15 + 3	29.54	26.14	23.92	19.55	16.24	13.67	11.63	9.99
HSAS12-534188	12'	8	4	5" x .188	3.375"	L" x 15 + 3	23.91	21.09	19.23	15.63	12.91	10.80	9.13	7.79
HSAS14-534188	14'	9.3	4.7	5" x .188	3.375"	L" x 15 + 3	19.80	17.38	15.79	12.74	10.45	8.67	7.26	6.14
HSAS16-534188	16'	10.5	5.5	5" x .188	3.375"	L" x 15 + 3	16.64	14.52	13.12	10.50	8.52	6.99	5.78	4.8
HSAS20-534188	19.5'	13	6.4	5" x .188	4"	L" x 15 + 3	11.73	10.09	9.02	7.06	5.60	4.47	3.58	2.87
HSAS14-64188	14'	9.3	4.7	6" x .188	4"	L" x 15 + 3	29.78	26.23	23.89	19.70	16.26	13.59	11.48	10.0
HSAS16-64188	16'	10.5	5.5	6" x .188	4"	L" x 15 + 3	25.24	22.12	20.08	16.54	13.56	11.25	9.42	8.29
HSAS20-64188	20'	13	6.5	6" x .188	4"	L" x 30 + 4	18.15	15.94	14.63	11.67	9.43	7.77	6.56	5.59
HSAS25-64188	25'	16.7	8.3	6" x .188	4"	L" x 30 + 4	11.85	10.21	9.34	7.19	5.56	4.40	3.62	3.00
HSAS25-64250 <sup>1</sup>	25'	16.7	8.3	6" x .250	4"	L" x 30 + 4	16.75	14.58	13.36	10.51	8.35	6.78	5.67	4.79
HSAS30-64250	30'	20	10	6" x .250	4"	L" x 30 + 4	11.63	9.96	9.10	6.90	5.25	4.08	3.31	2.714
HSAS30-64400 <sup>1</sup>	30'	20	10	6" x .400	4"	L" x 30 + 4	17.73	15.37	14.03	10.82	8.56	6.87	5.70	4.79

<sup>1</sup>Pole reinforced, to 40" above base, to .400", remaining section is .250"

**2 Plan View** **Cat. No.** **Mounting Orientations**

- FM: Luminaire is flush mounted directly to top of pole
- A/SA: Pole is drilled to mount a single luminaire directly to the side of pole
- B/SB: Pole is drilled to mount two luminaires directly to the side of pole, 180 degrees apart
- L/SL: Pole is drilled to mount two luminaires directly to the side of pole, 90 degrees apart
- T/ST: Pole is drilled to mount three luminaires directly to the side of pole, 90 degrees apart
- Y/SY: Pole is drilled to mount three luminaires directly to the side of pole, 120 degrees apart
- C/SC: Pole is drilled to mount four luminaires directly to the side of pole, 90 degrees apart



Finials p. 74



Dome Pole Cap p. 74



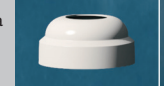
Decorative Base p. 74



Traditional Base p. 74



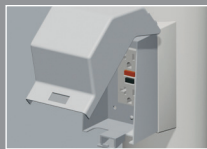
Standard Base



**3 Finish**  
Super TGIC powder coat paint over titanated zirconium conversion coating

Color: Black Dark Bronze Light Gray Stealth Gray Platinum Silver White Custom Colors  
Cat No.: BL DB LG SG PS WH CC - Consult representative for custom colors.

**4 Options**



**Duplex Receptacle**

Mounted opposite the handhole, at 22K" from base of pole, in a cast aluminum box that is internally welded and sealed with a gasketed self-closing cover and locking bracket. When decorative base cover is ordered, the receptacle is above the cover.

DR Duplex Receptacle rated 20A., 125V.  
DR-GFI Duplex Receptacle with Ground Fault Circuit Interrupter rated 20A., 125V.

**Specifications**

**Pole Construction:** Seamless round extruded aluminum tube of alloy 6063-T6, welded to top and bottom of aluminum base casting of alloy 356.

**Base Cover:** Two-piece, cast aluminum full cover, secured by stainless set screws. The standard base cover is the Era Base Cover. Two optional base cover styles available.

- 1) HBC1 - Decorative smooth sided cast aluminum base cover.
- 2) HBC2 - Traditional fluted side cast aluminum base cover.

**Pole Cap:** Flat cast aluminum provided for allside-mounted luminaires. Optional traditional style finial available.

- 1) HF1 - Dome style cast aluminum cap.
- 2) HF2 - Traditional style cast aluminum finial.

**Handhole:** 18" above the base cover, with a gasketed cover and ground lug.  
**Anchor Bolts:** Four galvanized anchor bolts provided complete with eight nuts, eight flat washers, and a presswood template.

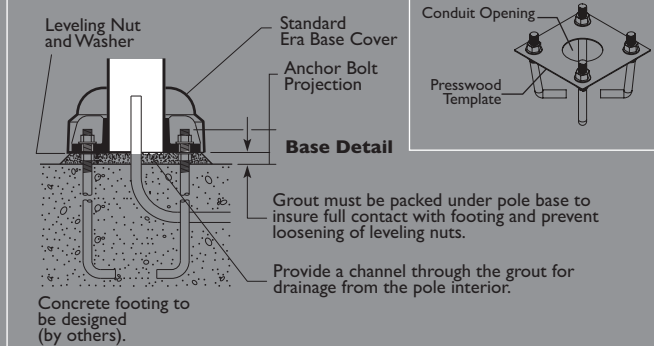
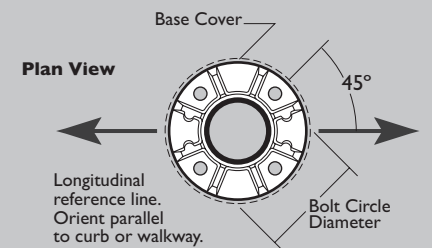
**Vibration Dampener:** All poles 25' and above include an internally mounted, factory installed pendulum vibration dampener, with flush stainless steel socket head fasteners finished to match pole.

**Strength:** Poles designed to withstand wind loads as listed in chart (See page 5) when luminaires are mounted per fixture installation instructions. Refer to specific Era® Collection mounting arm for specific luminaire and arm EPA.

**Finish:** Super TGIC thermoset polyester powder coat paint applied over a Titanated Zirconium conversion coating

**Anchor Base and Bolt Detail (mm)**

Y1 Pole Diameter	Bolt Circle Diameter	Anchor Bolt Projection	Bolt Cover Size	Conduit Opening
5"(127)	8.5"(216)	3.25"(83)	11.88"(302)	3"(76)
6"(152)	10.5"(267)	3.38"(85)	14"(356)	5"(127)



ORDERING EXAMPLE: Pole HSAS20-534188B-HA02S / Finish LG / Options HBC2-5 / HF2 / DR-GFI





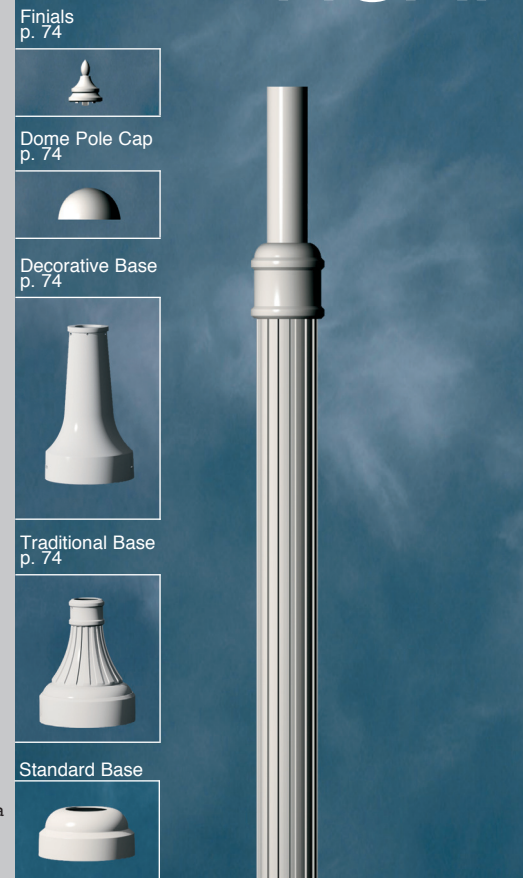
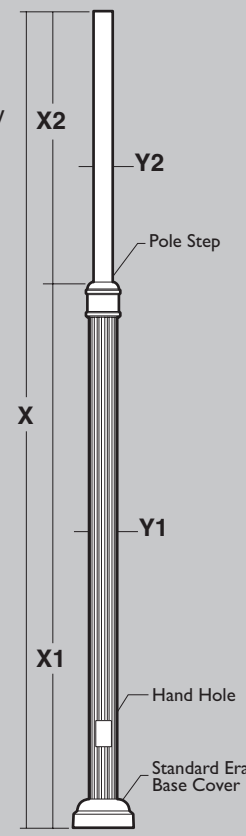
# Stepped Aluminum Fluted Poles

**1 Pole**

Cat. No.	X	X1	X2	Y1	Y2	A.B. Size	Allowable Pole EPA - Refer to wind map on p. 75							
							85 (38m/s)	90 (40m/s)	100 (45m/s)	110 (49m/s)	120 (54m/s)	130 (58m/s)	140 (63m/s)	150 (67m/s)
HSAF10-534188	10'	6.5	3.5	5' x .188	3.375'	L" x 15 + 3	41.46	36.78	33.70	27.64	23.03	19.46	16.62	14.34
HSAF12-534188	12'	8	4	5' x .188	3.375'	L" x 15 + 3	33.85	29.95	27.38	22.37	18.58	15.63	13.29	11.42
HSAF14-534188	14'	9.3	4.7	5' x .188	3.375'	L" x 15 + 3	28.32	24.97	22.78	18.52	15.30	12.81	10.83	9.24
HSAF16-534188	16'	10.5	5.5	5' x .188	3.375'	L" x 30 + 4	24.09	21.16	19.24	15.55	12.77	10.61	8.90	7.54
HSAF20-534188	19.5'	13	6.4	5' x .188	3.375'	L" x 30 + 4	17.48	15.22	13.74	10.96	8.88	7.26	5.99	4.97
HSAF14-64188	14'	9.3	4.7	6' x .188	4"	L" x 15 + 3	39.42	34.97	32.15	26.24	21.76	18.33	15.70	13.59
HSAF16-64188	16'	10.5	5.5	6' x .188	4"	L" x 30 + 4	33.67	29.81	27.39	22.26	18.37	15.41	13.17	11.36
HSAF20-64188	19.5'	13	6.5	6' x .188	4"	L" x 30 + 4	24.66	21.75	19.97	16.08	13.14	10.93	9.28	7.97
HSAF25-64188	25'	16.7	8.3	6' x .188	4"	L" x 30 + 4	16.82	14.65	13.42	10.56	8.39	6.81	5.70	4.81
HSAF25-64400	25'	16.7	8.3	6' x .400	4"	L" x 30 + 4	20.81	18.17	16.62	13.14	10.50	8.57	7.20	6.11
HSAF30-64188	30'	20	10	6' x .188	4"	L" x 30 + 4	11.68	10.01	9.15	6.94	5.28	4.11	3.34	2.73
HSAF30-64400	30'	20	10	6' x .400	4"	L" x 30 + 4	17.80	15.43	14.09	10.97	8.60	6.90	5.74	4.81

\*Pole reinforced, to 40" above base, to .400", remaining section is .188"

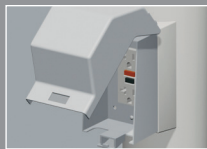
- 2 Plan View**    **Cat. No.**    **Mounting Orientations**
- FM: Luminaire is flush mounted directly to top of pole
  - A/SA: Pole is drilled to mount a single luminaire directly to the side of pole
  - B/SB: Pole is drilled to mount two luminaires directly to the side of pole, 180 degrees apart
  - L/SL: Pole is drilled to mount two luminaires directly to the side of pole, 90 degrees apart
  - T/ST: Pole is drilled to mount three luminaires directly to the side of pole, 90 degrees apart
  - Y/SY: Pole is drilled to mount three luminaires directly to the side of pole, 120 degrees apart
  - C/SC: Pole is drilled to mount four luminaires directly to the side of pole, 90 degrees apart



**3 Finish**  
Super TGIC powder coat paint over titanated zirconium conversion coating

Color:	Black	Dark Bronze	Light Gray	Stealth Gray	Platinum Silver	White	Custom Colors
Cat No.:	BL	DB	LG	SG	PS	WH	CC - Consult representative for custom colors.

**4 Options**



**Duplex Receptacle**  
Mounted opposite the handhole, at 22K" from base of pole, in a cast aluminum box that is internally welded and sealed with a gasketed self-closing cover and locking bracket.  
DR Duplex Receptacle rated 20A., 125V.  
DR-GFI Duplex Receptacle with Ground Fault Circuit Interrupter rated 20A., 125V.

**Specifications**

**Pole Construction:** Seamless round extruded aluminum tube of alloy 6063-T6, welded to top and bottom of aluminum base casting of alloy 356.

**Base Cover:** Two-piece, cast aluminum full cover, secured by stainless set screws. The standard base cover is the Era Base Cover. Two optional base cover styles available.

- HBC1 - Decorative smooth sided cast aluminum base cover.
- HBC2 - Traditional fluted side cast aluminum base cover.

**Pole Cap:** Flat cast aluminum provided for all side-mounted luminaires. Optional traditional style finial available.

- HF1 - Dome style cast aluminum cap.
- HF2 - Traditional style cast aluminum finial.

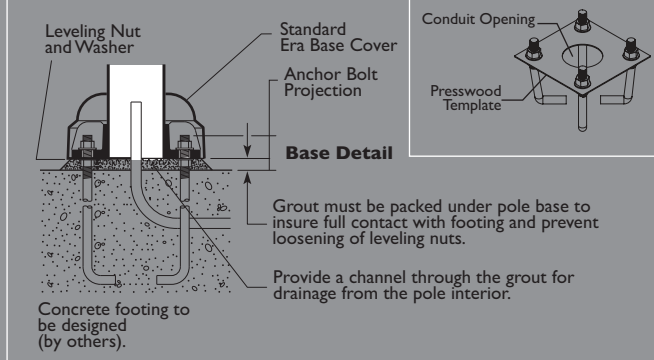
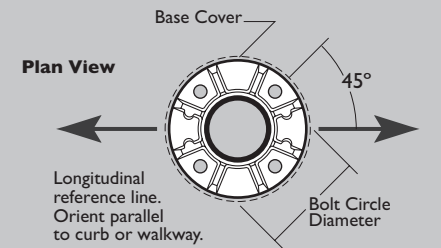
**Handhole:** 18" up from base, with a gasketed cover and ground lug.

**Anchor Bolts:** Four galvanized anchor bolts provided complete with eight nuts, eight flat washers, and a presswood template.

**Vibration Dampener:** All poles 25' and above include an internally mounted, factory installed pendulum vibration dampener, with flush stainless steel socket head fasteners finished to match pole.

**Strength:** Poles designed to withstand wind loads as listed in chart when luminaires are mounted per fixture installation instructions. Refer to specific Era® Collection mounting arm for specific luminaire and arm EPA.

**Finish:** Super TGIC thermoset polyester powder coat paint applied over a Titanated Zirconium conversion coating.



**Anchor Base and Bolt Detail (mm)**

Y1 Pole Diameter	Bolt Circle Diameter	Anchor Bolt Projection	Bolt Cover Size	Conduit Opening
5"(127)	8.5"(216)	3.25"(83)	11.88"(302)	3"(76)
6"(152)	10.5"(267)	3.38"(85)	14"(356)	5"(127)

ORDERING EXAMPLE: Pole    Finish    Options  
HSAF20-64188B-HA11L / LG / HBC2-6 / HF2 / DR-GFI



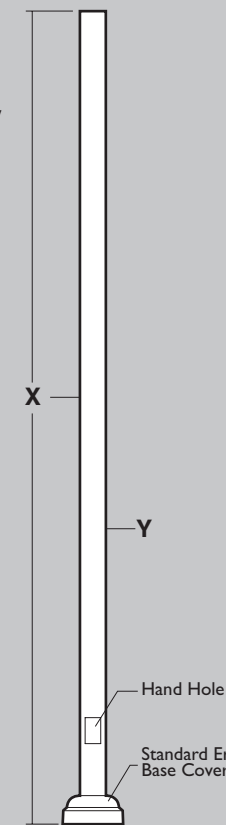
# Round Aluminum (Non-Tapered) Poles

1 Pole Cat. No.	X	Y	A.B. Size	Allowable Pole EPA - Refer to wind map on p. 75							
				85 (38m/s)	90 (40m/s)	100 (45m/s)	110 (49m/s)	120 (54m/s)	130 (58m/s)	140 (63m/s)	150 (67m/s)
HAS10-4188	10'	4" x .188	L" x 15 + 3	16.55	14.56	13.26	10.64	8.65	7.17	6.10	5.25
HAS12-4188	12'	4" x .188	L" x 15 + 3	13.12	11.46	10.38	8.19	6.53	5.33	4.50	3.84
HAS14-4188	14'	4" x .188	L" x 15 + 3	10.56	9.14	8.21	6.34	4.92	3.91	3.26	2.74
HAS16-4188	16'	4" x .188	L" x 15 + 3	8.56	7.31	6.50	4.86	3.62	2.76	2.25	1.85
HAS10-5188	10'	5" x .188	L" x 15 + 3	27.26	24.07	21.97	18.01	15.02	12.71	10.88	9.42
HAS12-5188	12'	5" x .188	L" x 15 + 3	21.18	19.22	17.47	14.26	11.85	9.99	8.52	7.35
HAS14-5188	14'	5" x .188	L" x 15 + 3	17.90	15.62	14.12	11.46	9.48	7.95	6.75	5.79
HAS16-5188	16'	5" x .188	L" x 30 + 4	14.80	12.81	11.50	9.26	7.61	6.34	5.34	4.55
HAS20-5188	19.5'	5" x .188	L" x 30 + 4	9.83	8.29	7.28	5.73	4.60	3.75	3.09	2.56
HAS10-6188	10'	6" x .188	L" x 30 + 4	40.66	36.17	33.42	27.49	23.00	19.51	16.75	14.53
HAS12-6188	12'	6" x .188	L" x 30 + 4	32.89	29.22	27.04	22.20	18.53	15.69	13.44	11.64
HAS14-6188	14'	6" x .188	L" x 30 + 4	27.19	24.11	22.37	18.31	15.24	12.87	11.00	9.49
HAS16-6188	16'	6" x .188	L" x 30 + 4	22.77	20.16	18.75	15.29	12.69	10.68	9.09	7.82
HAS20-6188	19.5'	6" x .188	L" x 30 + 4	15.69	13.81	12.95	10.46	8.59	7.16	6.03	5.14
HAS25-6188	25'	6" x .188	L" x 30 + 4	9.74	8.46	8.07	6.38	5.12	4.17	3.43	2.85
HAS25-6250	25'	6" x .250	L" x 30 + 4	16.92	14.86	13.96	11.25	9.22	7.66	6.44	5.47
HAS30-6188	30'	6" x .188	L" x 30 + 4	5.61	4.74	4.69	3.54	2.71	2.08	1.60	1.23
HAS30-6250	30'	6" x .250	L" x 30 + 4	11.37	9.88	9.42	7.45	5.99	4.88	4.02	3.34
HAS30-6400	30'	6" x .400	L" x 30 + 4	20.33	17.87	16.78	13.53	11.10	9.23	7.77	6.61

<sup>1</sup>Pole reinforced, to 40' above base, to .400", remaining section is .250"

## 2 Plan View Cat. No. Mounting Orientations

- FM: Luminaire is flush mounted directly to top of pole
- A/SA: Pole is drilled to mount a single luminaire directly to the side of pole
- B/SB: Pole is drilled to mount two luminaires directly to the side of pole, 180 degrees apart
- L/SL: Pole is drilled to mount two luminaires directly to the side of pole, 90 degrees apart
- T/ST: Pole is drilled to mount three luminaires directly to the side of pole, 90 degrees apart
- Y/SY: Pole is drilled to mount three luminaires directly to the side of pole, 120 degrees apart
- C/SC: Pole is drilled to mount four luminaires directly to the side of pole, 90 degrees apart

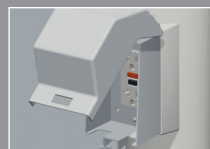


## 3 Finish

Super TGIC powder coat paint over titanated zirconium conversion coating

Color:	Black	Dark Bronze	Light Gray	Stealth Gray	Platinum Silver	White	Custom Colors
Cat No.:	BL	DB	LG	SG	PS	WH	CC - Consult representative for custom colors.

## 4 Options



### Duplex Receptacle

Mounted opposite the handhole, at 22K" from base of pole, in a cast aluminum box that is internally welded and sealed with a gasketed self-closing cover and locking bracket.

- DR Duplex Receptacle rated 20A., 125V.
- DR-GFI Duplex Receptacle with Ground Fault Circuit Interrupter rated 20A., 125V.

## Specifications

**Pole Construction:** Seamless round extruded aluminum tube of alloy 6063-T6, welded to top and bottom of aluminum base casting of alloy 356.

**Base Cover:** Two-piece, cast aluminum full cover, secured by stainless set screws. The standard base cover is the Era Base Cover. Two optional base cover styles available.

- 1) HBC1 - Decorative smooth sided cast aluminum base cover.
- 2) HBC2 - Traditional fluted side cast aluminum base cover.

**Pole Cap:** Flat cast aluminum provided for all side-mounted luminaires. Optional traditional style finial available.

- 1) HF1 - Dome style cast aluminum cap.
- 2) HF2 - Traditional style cast aluminum finial.

**Handhole:** 18" above the base cover, with a gasketed cover and ground lug.

**Anchor Bolts:** Four galvanized anchor bolts provided complete with eight nuts, eight flat washers, and a presswood template.

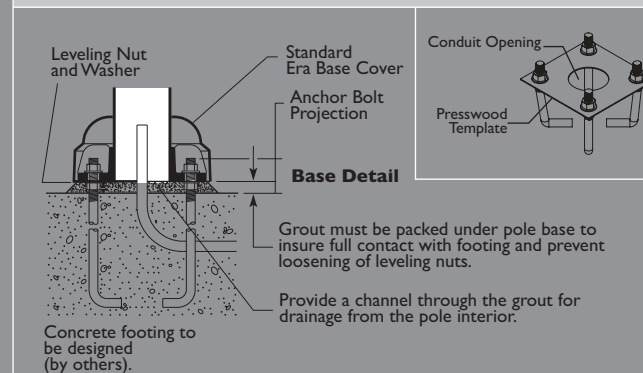
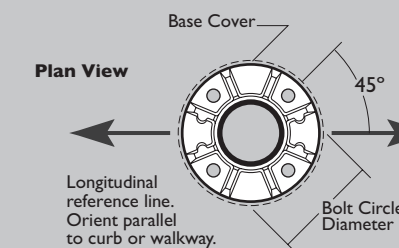
**Vibration Dampener:** All poles 25' and above include an internally mounted, factory installed pendulum vibration dampener, with flush stainless steel socket head fasteners finished to match pole.

**Strength:** Poles designed to withstand wind loads as listed in chart when luminaires are mounted per fixture installation instructions. Refer to specific Era® Collection mounting arm for specific luminaire and arm EPA.

**Finish:** Super TGIC thermoset polyester powder coat paint applied over a Titanated Zirconium conversion coating.

### Anchor Base and Bolt Detail (mm)

Pole Diameter	Bolt Circle Diameter	Anchor Bolt Projection	Bolt Cover Size	Conduit Opening
4"(102)	7-8.5"(178-216)	3.25"(83)	11.88"(302)	3"(76)
5"(127)	8.5"(216)	3.25"(83)	11.88"(302)	3"(76)
6"(152)	10.5"(267)	3.38"(85)	14"(356)	5"(127)



ORDERING EXAMPLE: Pole HAS20-5188B-HA11S / Finish LG / Options HBC2-5/ HF2 / DR-GFI

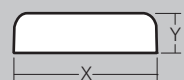
1 2 3 4



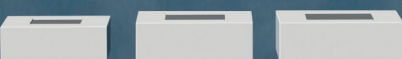
# Pole Base and Finial Selections



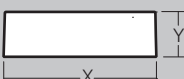
**Standard Round Base Cover**  
Poles 39' and shorter include a two piece cast aluminum full base cover of 319 alloy, secured with stainless steel screws. Poles above 39' include a fabricated steel base cover, secured with stainless steel screws.



Pole Diameter	X	Y
3C" Round	10.125"	3.313"
4" Round	11.76"	3.255"
5" Round	11.760"	3.255"
6" Round	13.875"	3.688"



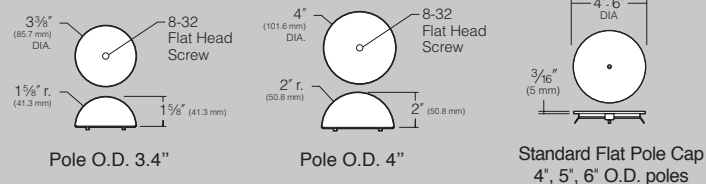
**Standard Square Base Cover**  
Poles 39' and shorter include a two piece cast aluminum full base cover of 319 alloy, secured with stainless steel screws. Poles above 39' include a fabricated steel base cover, secured with stainless steel screws.



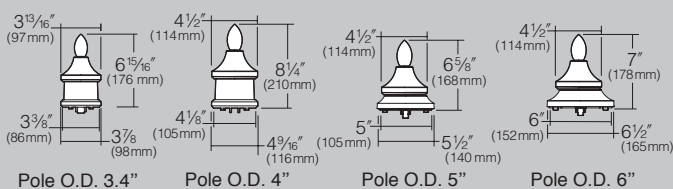
Pole Diameter	X	Y
4" Square Alum.	10.5"	3.188"
5" Square Alum.	11.5"	3.313"
6" Square Alum.	12.5"	3.688"
6D" Square Alum.	14.5"	4.563"
4" Square Steel	8.688"	4"
5" Square Steel	12.688"	4.375"
5J" Square Steel	11.25"	3.75"
6J" Square Steel	12.563"	4.25"
7O" Square Steel	13.313"	4.25"
7B" Square Steel	13.313"	4.25"



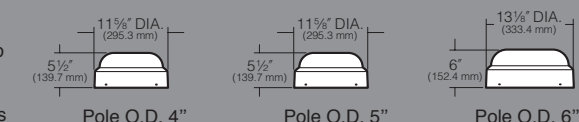
**Dome Pole Top Caps (HF1)**  
Dome Pole Top Caps are optional accent elements that soften the pole top and complement the heritage look when the standard Flat Pole Cap is too plain. Each Dome Pole Top Cap is cast aluminum and finished to match the pole. Available for 3.4" and 4" dia. poles.



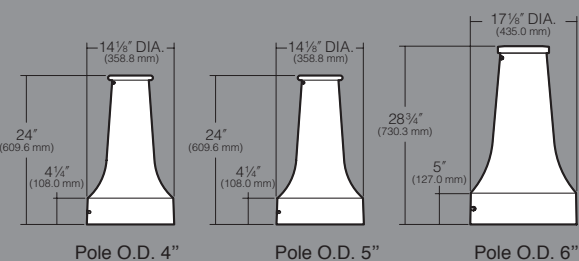
**Traditional Pole Top Finial (HF2)**  
Traditional Pole Top Finials are the accent elements that complete the heritage look. Each finial is cast aluminum, and available for 3.4", 4", 5" and 6" diameter pole tops. Design coordinated arm finials are also available on each arm specification page.



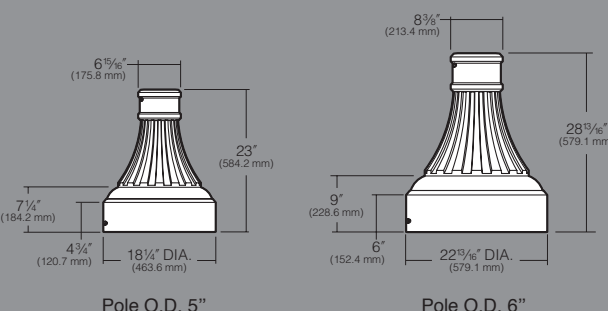
**Standard Heritage Base Cover**  
The Heritage Base Cover is designed to impart a minimal, yet basic heritage look to any pole. It is a heavy and durable cast aluminum component, configured in two halves for easy attachment after the pole is raised and set onto the anchor bolts.



**Decorative Base Cover (HBC1)**  
The Decorative Base Cover provides a stronger heritage look than the Era Cover, accomplishing this with a basic smooth-sided design. Constructed of heavy and durable cast aluminum, the base is supplied in two halves for easy attachment after the pole is raised and set onto the anchor bolts.



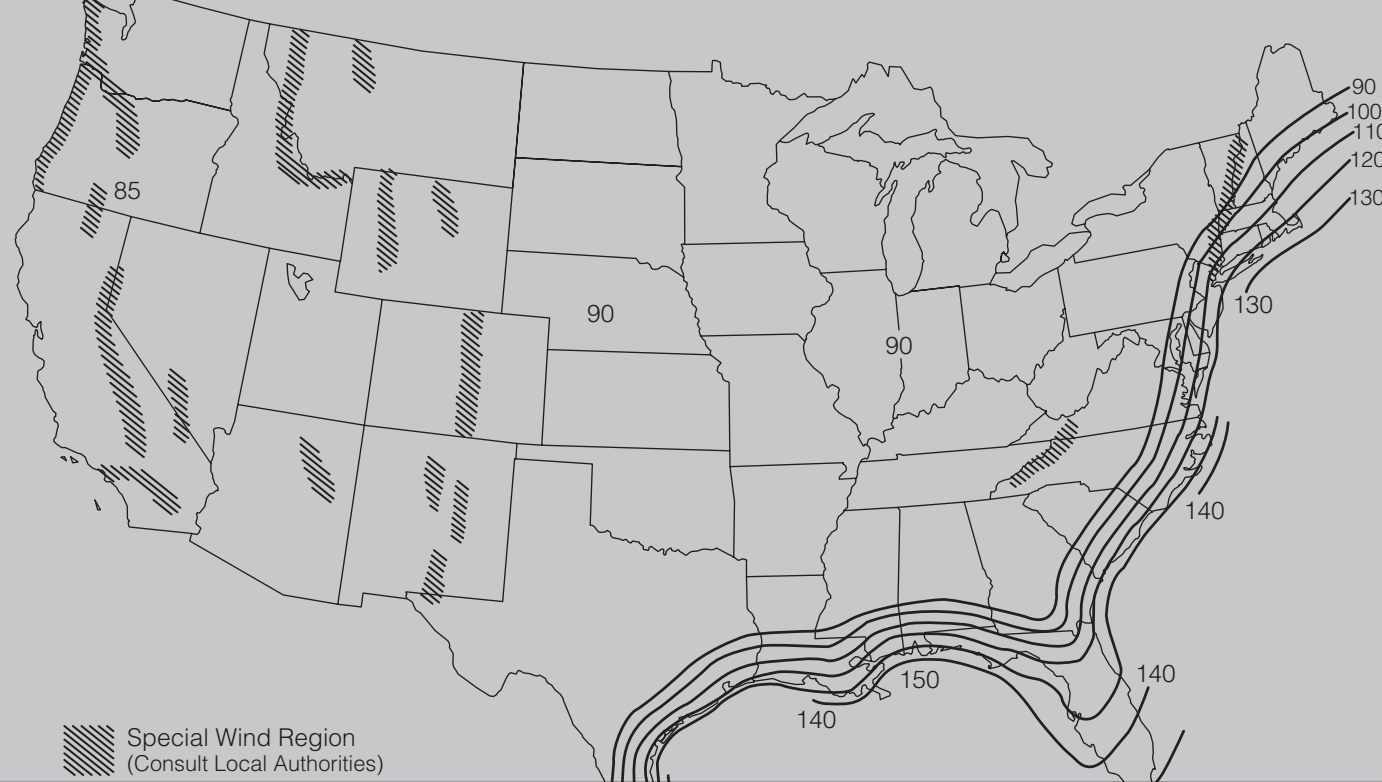
**Traditional Base Cover (HBC2)**  
The Traditional Base Cover provides the strongest heritage look, and is particularly well suited for stepped poles. It is constructed of heavy and durable cast aluminum, supplied in two halves for easy attachment after the pole is raised and set onto the anchor bolts.



# United States Wind Map

**EPA Information**

All allowable pole and fixture EPAs (Fixture Area x Drag Factor) are derived from the AASHTO standard (American Association of State Highway and Transportation Officials). Responsibility lies with the specifier for correct pole selection based on local codes and standards for the job location.



**Notes:**

- Values are based on 50 year mean recurrence interval.
- Hawaii has an **105 mph** wind velocity.
- Puerto Rico has a **125 mph** wind velocity.
- Caution must be exercised in determining wind velocities in special wind areas such as:
  - Mountainous Regions
  - Areas surrounding the Great Lakes or other large bodies of water or open land.
  - Areas subject to extreme wind conditions, such as hurricanes, typhoons, cyclones, and tornadoes.
  - Areas adjacent to airports.
  - Any specific area with a known or suspected abnormally high intermittent wind condition caused by geography, adjacent structures, or other specific local conditions that may not be recorded in National Weather Service records.

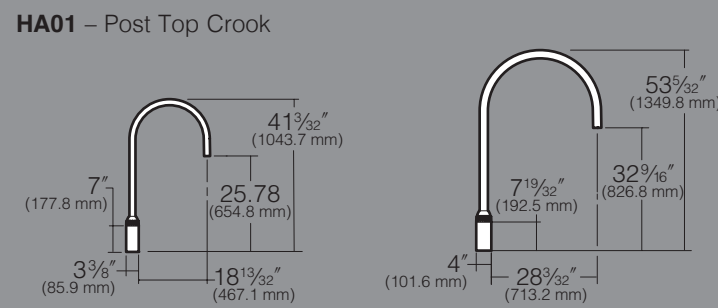
Allowable pole EPA for jobsite wind conditions must be equal to or greater than fixture EPA. Responsibility lies with the specifier for correct pole selection based on AASHTO wind map and job location.

The Wind Map is intended only as a general guide. Always consult local authorities to determine maximum wind velocities, gusting and unique wind conditions for each specific application.

**Caution:**

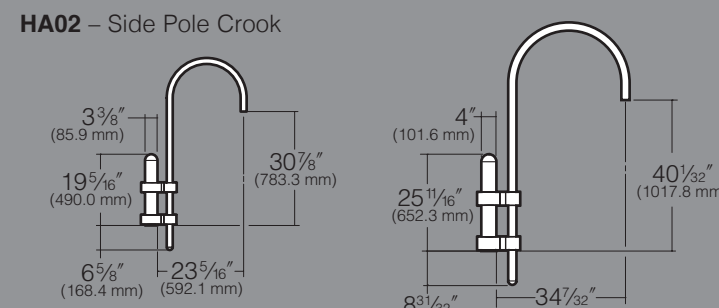
- Wind speeds and listed EPAs are for ground mounted installations. Poles mounted on structures (such as bridges and buildings) must consider coefficient of height factors beyond this general guide.
- Extreme Wind Events: Hurricanes, Typhoons, Cyclones, or Tornadoes expose poles to flying debris, wind shear, and other unpredictable aerodynamic forces not indicated by the wind velocity ratings.
- Pole Strength Limited Warranty: Standard, unmodified Kim lighting Poles installed as recommended, undamaged by corrosion, or lack of maintenance, shall withstand steady wind conditions as provided on each poles Allowable Pole EPA chart. Installation of poles without luminaires, or attachment of any unauthorized accessories to poles shall void this warranty.

# Tenon Mount Options (Poles by Others)



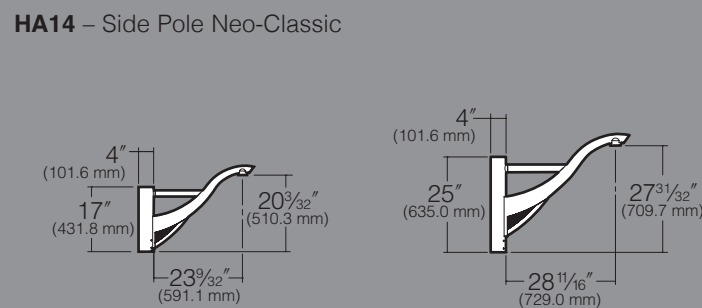
**Post Top Crook - Small**  
IA HA01S-TM1

**Post Top Crook - Large**  
IA HA01L-TM1



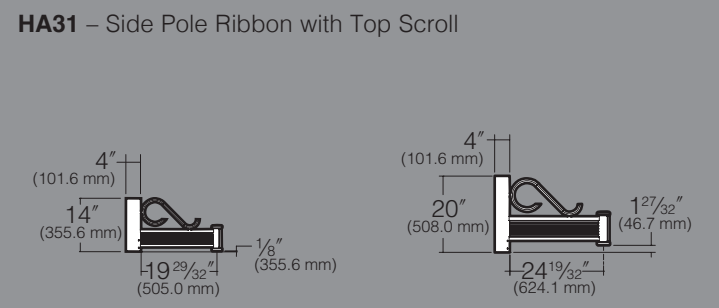
**Side Pole Crook - Small**  
IA HA02S-TM1  
2B HA02S-TM2  
3Y HA02S-TM3  
4C HA02S-TM4

**Side Pole Crook - Large**  
IA HA02L-TM1  
2B HA02L-TM2  
3Y HA02L-TM3  
4C HA02L-TM4



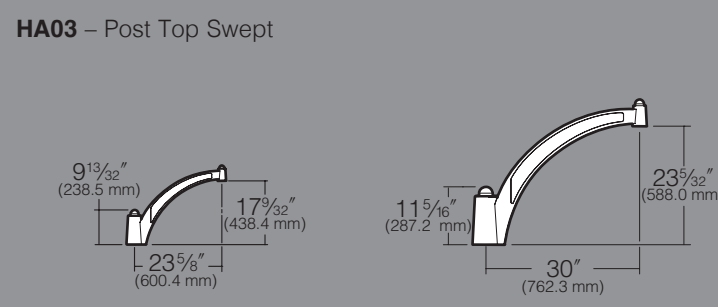
**Side Pole Neo-Classic - Small**  
IA HAI4S-TM1  
2B HAI4S-TM2  
3Y HAI4S-TM3  
4C HAI4S-TM4

**Side Pole Neo-Classic - Large**  
IA HAI4L-TM1  
2B HAI4L-TM2  
3Y HAI4L-TM3  
4C HAI4L-TM4



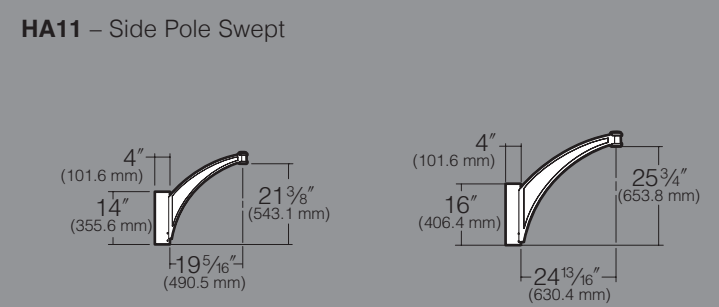
**Side Pole Ribbon with Top Scroll - Small**  
IA HA31S-TM1  
2B HA31S-TM2  
3Y HA31S-TM3  
4C HA31S-TM4

**Side Pole Ribbon with Top Scroll - Large**  
IA HA31L-TM1  
2B HA31L-TM2  
3Y HA31L-TM3  
4C HA31L-TM4



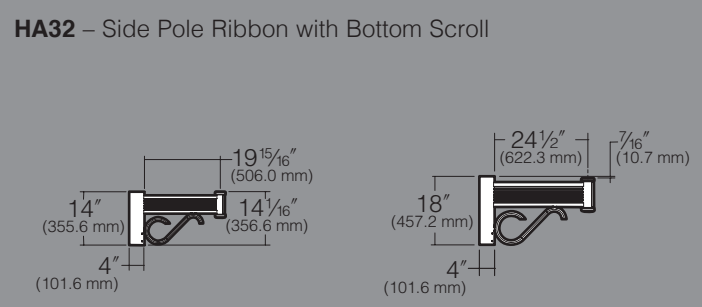
**Post Top Swept - Small**  
IA HA03S-TM1  
2B HA03S-TM2  
3Y HA03S-TM3  
4C HA03S-TM4

**Post Top Swept - Large**  
IA HA03L-TM1  
2B HA03L-TM2  
3Y HA03L-TM3  
4C HA03L-TM4



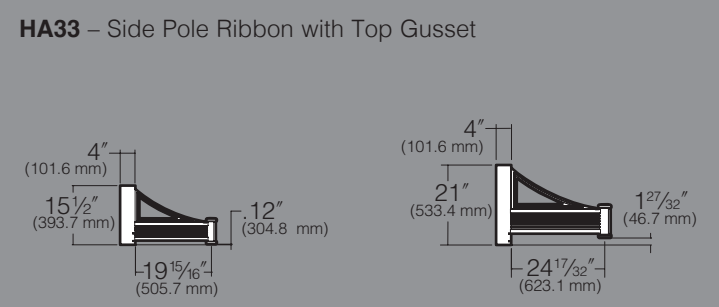
**Side Pole Swept - Small**  
IA HAI1S-TM1  
2B HAI1S-TM2  
3Y HAI1S-TM3  
4C HAI1S-TM4

**Side Pole Swept - Large**  
IA HAI1L-TM1  
2B HAI1L-TM2  
3Y HAI1L-TM3  
4C HAI1L-TM4



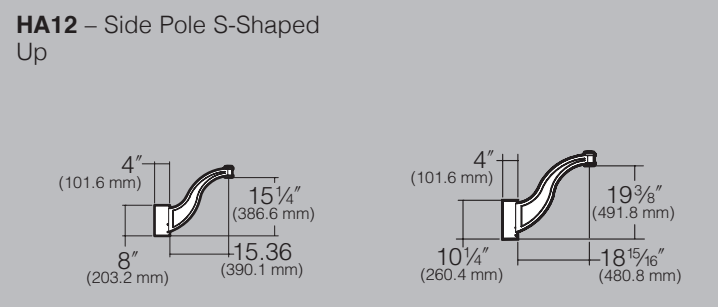
**Side Pole Ribbon with Bottom Scroll - Small**  
IA HA32S-TM1  
2B HA32S-TM2  
3Y HA32S-TM3  
4C HA32S-TM4

**Side Pole Ribbon with Bottom Scroll - Large**  
IA HA32L-TM1  
2B HA32L-TM2  
3Y HA32L-TM3  
4C HA32L-TM4



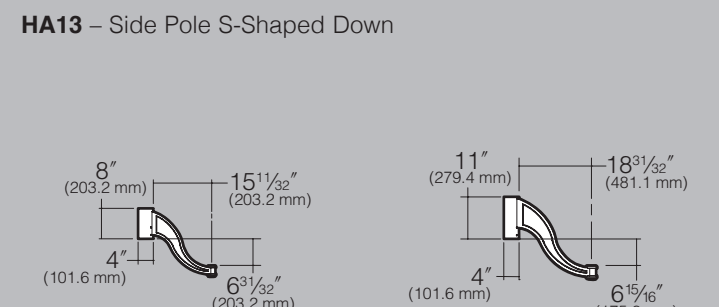
**Side Pole Ribbon with Top Gusset - Small**  
IA HA33S-TM1  
2B HA33S-TM2  
3Y HA33S-TM3  
4C HA33S-TM4

**Side Pole Ribbon with top Gusset - Large**  
IA HA33L-TM1  
2B HA33L-TM2  
3Y HA33L-TM3  
4C HA33L-TM4



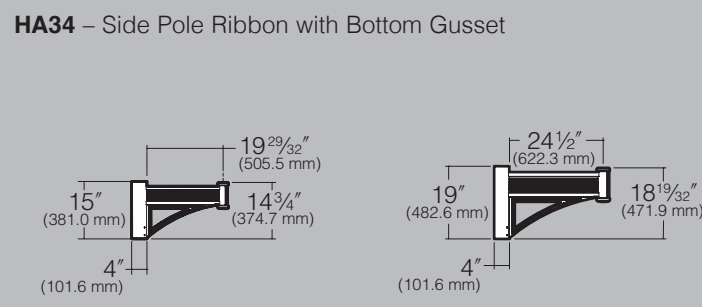
**Side Pole Crook - Small**  
IA HAI2S-TM1  
2B HAI2S-TM2  
3Y HAI2S-TM3  
4C HAI2S-TM4

**Side Pole S-Shaped Up - Large**  
IA HAI2L-TM1  
2B HAI2L-TM2  
3Y HAI2L-TM3  
4C HAI2L-TM4



**Side Pole S-Shaped Down - Small**  
IA HAI3S-TM1  
2B HAI3S-TM2  
3Y HAI3S-TM3  
4C HAI3S-TM4

**Side Pole S-Shaped Down - Large**  
IA HAI3L-TM1  
2B HAI3L-TM2  
3Y HAI3L-TM3  
4C HAI3L-TM4



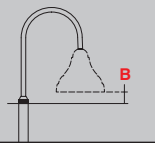
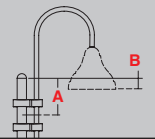
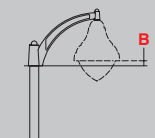
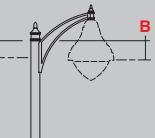
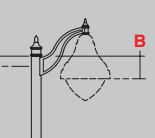
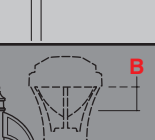
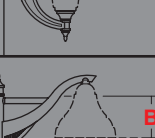

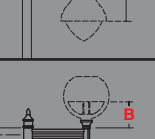
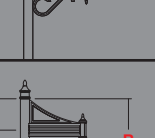
**Side Pole Ribbon with Bottom Gusset - Small**  
IA HA34S-TM1  
2B HA34S-TM2  
3Y HA34S-TM3  
4C HA34S-TM4

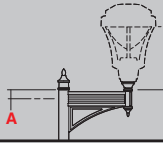
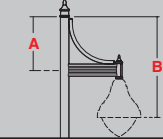
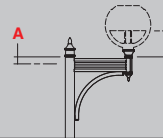
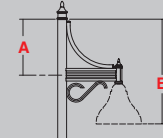
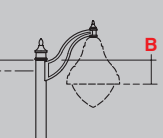
**Side Pole Ribbon with Bottom Gusset - Large**  
IA HA34L-TM1  
2B HA34L-TM2  
3Y HA34L-TM3  
4C HA34L-TM4

**NOTE:** HA35, HA36, HA37, and HA38, consult factory.  
All small arm assemblies require a steel 2" pipe tenon (2C" O.D.) x 4" long.  
All large arm assemblies require a steel 2K" pipe tenon (2E" O.D.) x 4" long.



# Heritage Optical Centerline Matrix

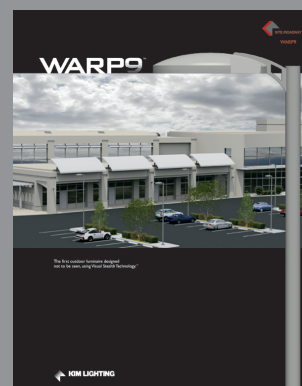
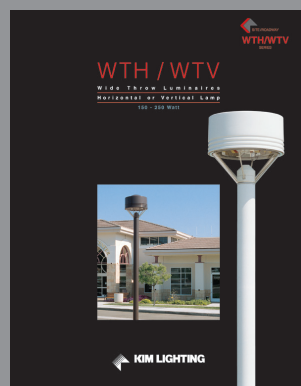
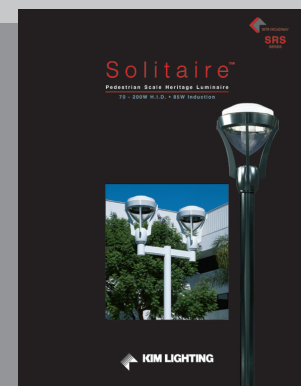
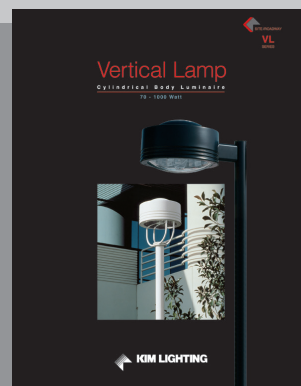
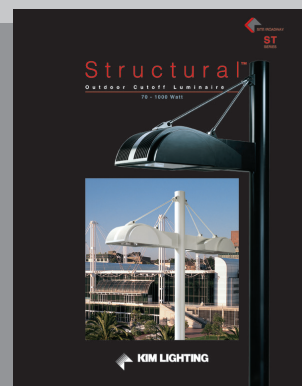
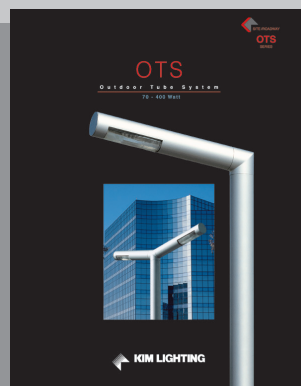
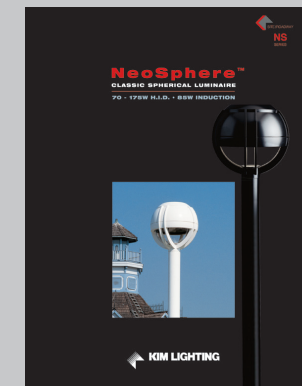
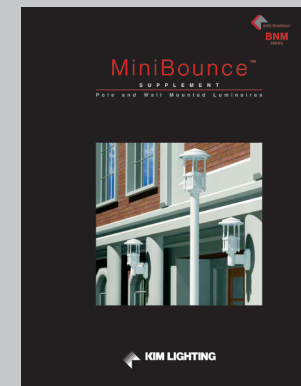
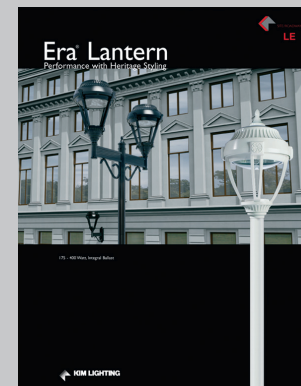
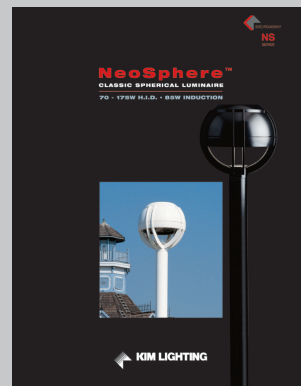
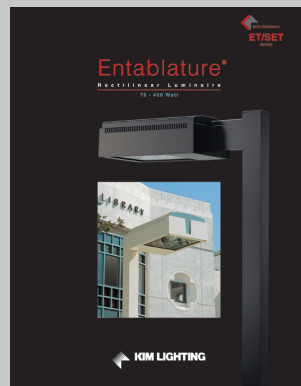
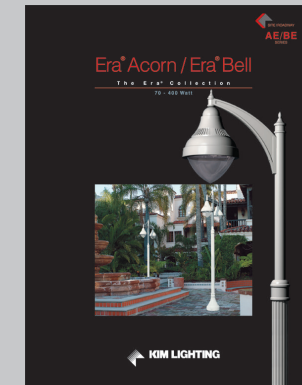
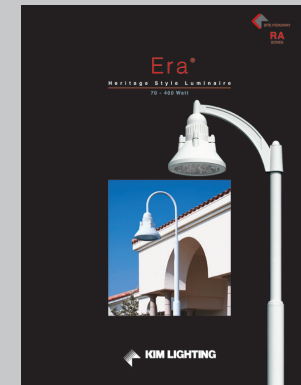
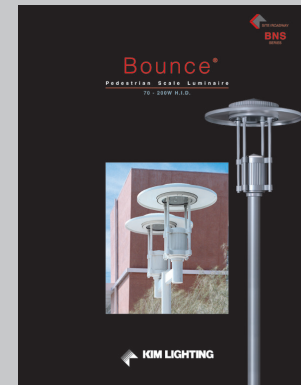
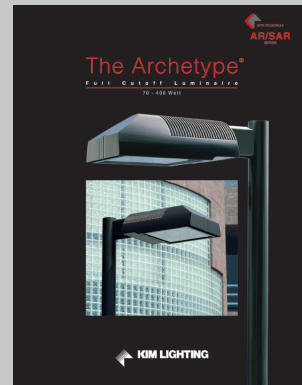
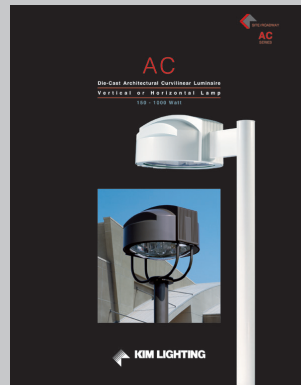
Arm	Arm Size	(A) Arm Bolt Pattern C/L from top of pole	Fixture Size	(B) Optical C/L from top of pole	Fixture Size	(B) Optical C/L from top of pole	Fixture Size	(B) Optical C/L from top of pole	(B) Optical C/L from top of pole	(B) Optical C/L from top of pole
HA01 			Era® Acorn		Era® Bell		ERA®		Solitaire™	NeoSphere®
	Small	n/a	17"	+4.0"	17"	+4.0"	17"	+2.75"	n/a	n/a
	Large	n/a	21"	+6.13"	21"	+6.13"	25"	+3.25"	n/a	n/a
HA02 			Era® Acorn		Era® Bell		ERA®		Solitaire™	NeoSphere®
	Small	13.38"	17"	-4.0"	17"	-4.0"	17"	-5.25"	n/a	n/a
	Large	15.75"	21"	-2.88"	21"	-2.88"	25"	-5.75"	n/a	n/a
HA03 			Era® Acorn		Era® Bell		ERA®		Solitaire™	NeoSphere®
	Small	n/a	17"	+2.0"	17"	+2.0"	17"	+1.75"	n/a	n/a
	Large	n/a	21"	+3.88"	21"	+3.88"	25"	+1.0"	n/a	n/a
HA11 			Era® Acorn		Era® Bell		ERA®		Solitaire™	NeoSphere®
	Small	3.0"	17"	-7.38"	17"	-7.38"	17"	-8.5"	+31.5"	+20.0"
	Large	4.0"	21"	-8.88"	21"	-8.88"	25"	-11.75"	n/a	n/a
HA12 			Era® Acorn		Era® Bell		ERA®		Solitaire™	NeoSphere®
	Small	3.0"	17"	-7.88"	17"	-7.88"	17"	-9.00"	+40.0"	+19.5"
	Large	3.88"	21"	-10.0"	21"	-10.0"	25"	-12.88"	n/a	n/a
HA13 			Era® Acorn		Era® Bell		ERA®		Solitaire™	NeoSphere®
	Small	4.25"	17"	-32.88"	17"	-32.88"	17"	-34.0"	+5.88"	-5.5"
	Large	5.13"	21"	n/a	21"	n/a	25"	n/a	n/a	n/a
HA14 			Era® Acorn		Era® Bell		ERA®		Solitaire™	NeoSphere®
	Small	9.75"	17"	-11.88"	17"	-11.88"	17"	-13.0"	n/a	n/a
	Large	12.38"	21"	-15.0"	21"	-15.0"	25"	-17.88"	n/a	n/a
HA31 			Era® Acorn		Era® Bell		ERA®		Solitaire™	NeoSphere®
	Small	11.0"	17"	-29.63"	17"	-29.63"	17"	-30.88"	n/a	n/a
	Large	13.75"	21"	-37.5"	21"	-37.5"	25"	-40.0"	n/a	n/a
HA32 			Era® Acorn		Era® Bell		ERA®		Solitaire™	NeoSphere®
	Small	3.0"	17"	n/a	17"	n/a	17"	n/a	+21.0"	+9.63"
	Large	3.88"	21"	n/a	21"	n/a	25"	n/a	n/a	n/a
HA33 			Era® Acorn		Era® Bell		ERA®		Solitaire™	NeoSphere®
	Small	11.5"	17"	-34.13"	17"	-34.13"	17"	-35.38"	n/a	n/a
	Large	14.5"	21"	-38.0"	21"	-38.0"	25"	-41.0"	n/a	n/a

Arm	Arm Size	(A) Arm Bolt Pattern C/L from top of pole	Fixture Size	(B) Optical C/L from top of pole	Fixture Size	(B) Optical C/L from top of pole	Fixture Size	(B) Optical C/L from top of pole	(B) Optical C/L from top of pole	(B) Optical C/L from top of pole
HA34 			Era® Acorn		Era® Bell		ERA®		Solitaire™	NeoSphere®
	Small	3.0"	17"	n/a	17"	n/a	17"	n/a	+21.0"	+9.63"
	Large	n/a	21"	n/a	21"	n/a	25"	n/a	n/a	n/a
HA35 			Era® Acorn		Era® Bell		ERA®		Solitaire™	NeoSphere®
	Small	21.0"	17"	-39.75"	17"	-39.75"	17"	-41.0"	n/a	n/a
	Large	26.0"	21"	-49.63"	21"	-49.63"	25"	-52.5"	n/a	n/a
HA36 			Era® Acorn		Era® Bell		ERA®		Solitaire™	NeoSphere®
	Small	3.0"	17"	n/a	17"	n/a	17"	n/a	+21.0"	+9.63"
	Large	n/a	21"	n/a	21"	n/a	25"	n/a	n/a	n/a
HA37 			Era® Acorn		Era® Bell		ERA®		Solitaire™	NeoSphere®
	Small	21.0"	17"	-29.63"	17"	-29.63"	17"	-41.0"	n/a	n/a
	Large	13.75"	21"	-37.5"	21"	-37.5"	25"	-52.5"	n/a	n/a
HA38 			Era® Acorn		Era® Bell		ERA®		Solitaire™	NeoSphere®
	Small	21.0"	17"	-39.75"	17"	-39.75"	17"	-41.0"	n/a	n/a
	Large	26.0"	21"	-49.63"	21"	-49.63"	25"	-52.5"	n/a	n/a

Contact factory for Contemporary luminaire and Era Lantern centerline matrix information.

# Contemporary Luminaire Catalogs

# Heritage Luminaire Catalogs



Available for immediate download at [www.kimlighting.com](http://www.kimlighting.com)



# Arms & Poles Selection Guide



**Current** @

**Current Lighting Solutions, LLC**

701 Millennium Blvd.  
Greenville, SC 29607

[currentlighting.com/kimlighting](http://currentlighting.com/kimlighting)

© 2022 HLI Solutions, Inc. All rights reserved. Information and specifications subject to change without notice.  
All values are design or typical values when measured under laboratory conditions.

Rev 06/01/22

kl\_armspoles\_lit\_R01