



PRINCIPALS ASSOCIATES

- Michael A. Ayres
- John W. Beck
- John C. Berry
- David C. Clark
- Michael F. Cooper
- Eric C. Cooper
- James K. Cline
- Gregg H. Curren
- C. Robert East
- A. Lynn Hartman
- Greg W. Hartung
- David M. Hester
- Andrew A. Jansick
- Harold E. Jensen
- Lawrence M. King
- David H. Lafferty
- John A. Lippitt
- Rafaela A. McCue
- John H. Mason
- James M. Paine
- Carolyn C. Palmer
- Robert J. Potts
- Michael J. Preece
- Nicholas F. Raab
- Farrell E. Reed
- Donald E. Rice
- Robert C. Roberts
- R. Cary Rothwell
- Ronald W. Seltzer
- Gary L. Shog
- Clifford H. Snyder
- W. Kenneth Strauss
- Frankie Suarez
- Robert E. van Borch
- Richard L. Tard
- Jeffrey A. Zalus

Wall/Slot® | 2000 LED

Wall/Slot® 2000 LED

Recessed Perimeter Luminaire

Best practice recognizes the benefits of placing light on walls and ceilings to articulate architecture, influence space perception, enhance visibility and increase visual comfort.

Wall/Slot® 2000 LED is designed to augment architecture. The product itself remains hidden from view and spatially neutral; only the illumination is visible. The end result provides best practice perimeter illumination and creates a clean, finished appearance.

Wall/Slot® Lighting Design Strategies

- **Focus attention**
 - Location
 - Architectural element
- **Floating ceiling appearance**
- **Wayfinding**
- **Graphic design element**
- **Architectural integration**
- **Increased spatial perception**
 - Spaces appear larger
 - Ceilings appear higher



Problem:

Perimeter lighting typically competes with the general ambient lighting energy allotment.

Solution:

Variable Intensity™ Technology

Calculate general ambient lighting power density.
Specify Wall/Slot® 2000 LED based on remaining energy, in 50 lumen increments with corresponding energy savings.

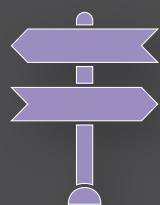
VI Technology provides verifiable wattage for compliance with programs, agencies, state, and local codes.

- COMcheck™** Commercial Compliance Using COMcheck™
- IECC** International Energy Conservation Code
- ASHRAE** American Society of Heating, Refrigerating and Air-Conditioning Engineers
- LEED** Leadership in Energy & Environmental Design
- LEED for schools** LEED for Schools | New Construction and Major Renovations
- IESNA** Illuminating Engineering Society of North America
- CHPS** Collaboration for High Performance Schools



SPECIFIER

STEP 1: Choose



Choose lumen output based on:

- Power density
- Light levels
- Ceiling brightness

STEP 2: Specify



Specify based on the published output range:

- In 50 lumen increments per foot (ex: 500, 550, 600)

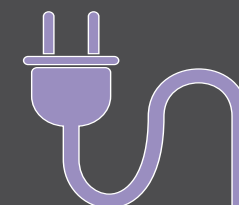
LITECONTROL

STEP 3: Manufacturer



Litecontrol designs and manufacturers luminaire to specifications.

STEP 4: Verification



Product arrives on site with clear, precise labeling, allowing wattage calculations based on actual versus highest possible values.

PERFORMANCE

Wall/Slot® 2000 LED delivers 7:1 vertical uniformity; a 50% improvement over conventional sources

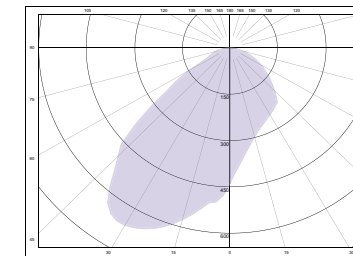


When compared to T8 fluorescent, Wall/Slot® 2000 LED delivers a softer transition from the ceiling line, 7:1 vertical uniformity and close to 40% energy reduction.

Wall/Slot® 2000 LED, Open Maximizes Efficiency



Typically used where increased perceived brightness at the ceiling plane is advantageous.
Examples: Floating ceiling, wayfinding



20L-Cx-35K-D030-04-D10
Wall/Slot® 2000 LED, 4', 3500K, 300 lum/ft,
6W/ft, matte white finish,
0-10V dimming driver at 100% output

Lumen Output

Nomenclature	Nominal Lumens/Ft	Nominal Watts/Ft	Efficacy
D025	250	3.5	71
D065	650	9.7	67
D080	800	12.6	64

Output and watts vary based on product configuration; for exact lumens and watts contact Litecontrol

Color Rendering

CCT	CRI	R1	R2	R3	R4	R5	R6	R7	R8	R9	R10	R11	R12	R13	R14	R15	Color Temperature
30K	83	81	90	96	81	81	86	84	62	12	75	80	68	83	98	75	
35K	83	81	88	94	82	81	84	86	65	14	72	80	63	82	96	75	
40K	83	82	90	95	81	81	85	87	66	14	75	79	59	84	97	76	

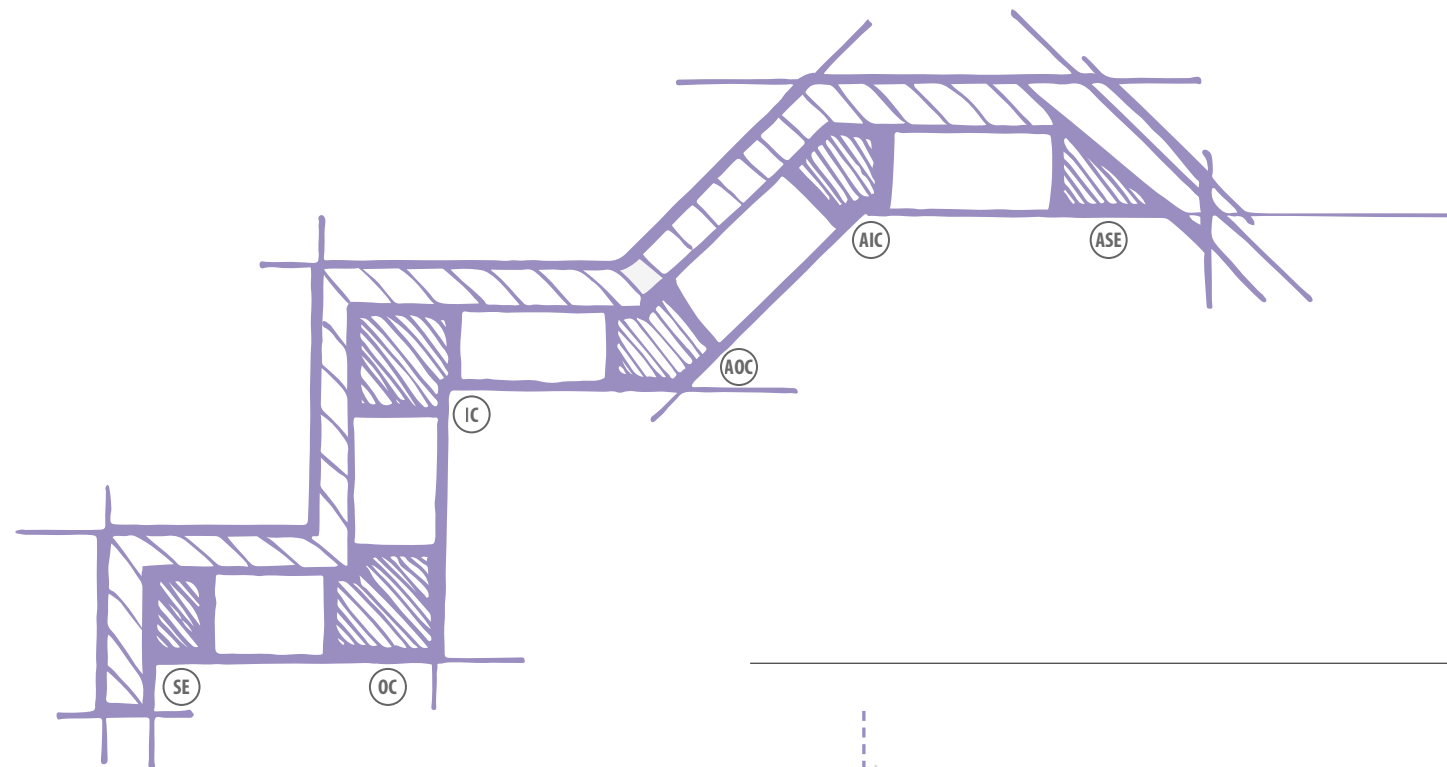
LED Color Variation

2 step MacAdam ellipse, both within the fixture and fixture-to-fixture.

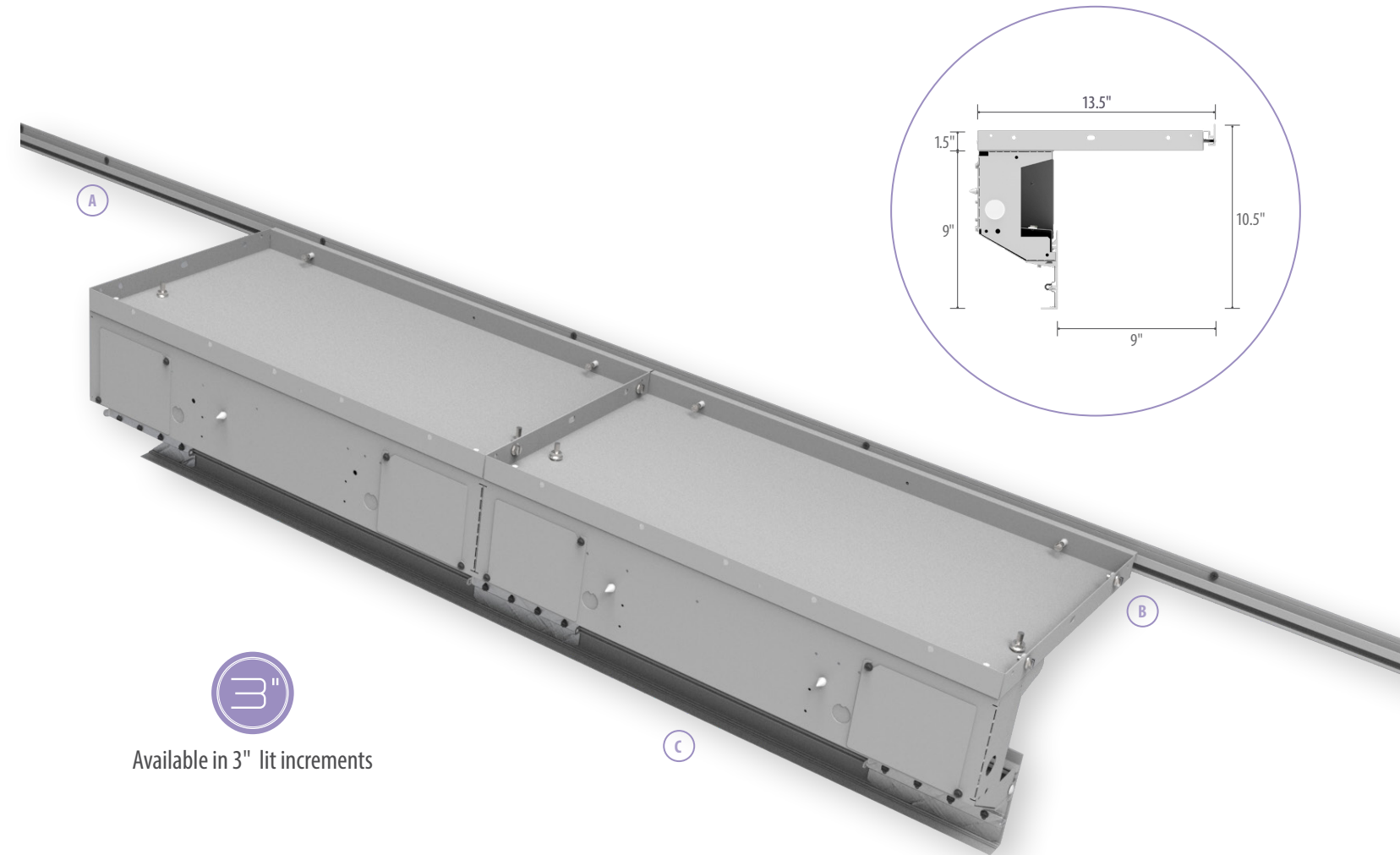
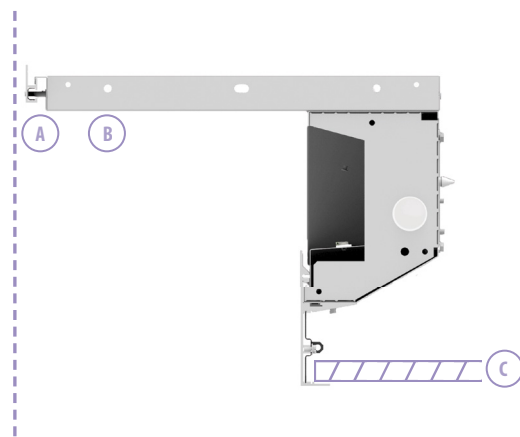
SIMPLE INSTALLATION

W/S® 2000 LED Installation

Simple, straight-forward installation. Components can be field trimmed for precise fit and finish. A variety of corners and extensions are available for maximum flexibility.



- Ⓢ Straight extension, 2"-12"
- Ⓞ 90° outside corner, 2"-11"
- Ⓜ 90° inside corner, 14"-21"
- Ⓜ 135° angular outside corner, 2"-11"
- Ⓜ 135° angular inside corner, 2"-11"
- Ⓜ 135° angular straight extension, 2"-11"



Available in 3" lit increments

- Ⓜ Extruded aluminum wall rail secures quickly
- Ⓜ Housing clips into wall rail
- Ⓜ Ceiling sits inside integral frame for attractive, finished appearance

Installation

Fixture system must be installed prior to ceiling installation. Finish of wall should extend 11" above finished ceiling height.

Mounting

Recessed installation maintains spatial neutrality within the application.

Access

LED boards and drivers are fully accessible and replaceable.

LED Life (Hours), TM21

L70 Rated: Over 60,000
L70 Projected: Over 200,000
L90 Projected: Over 90,000

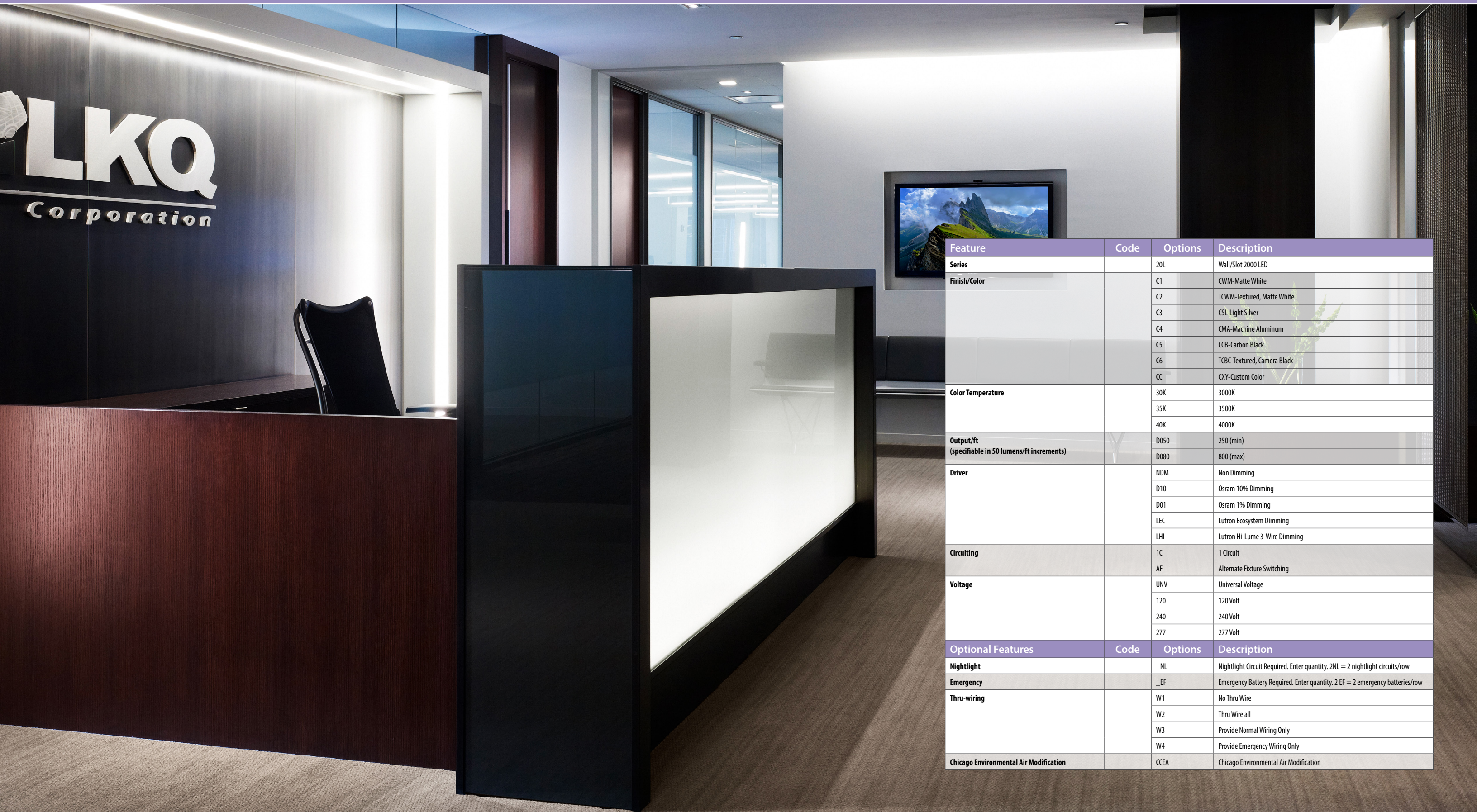
Driver Life (Hours)

Standard: 100,000
Lutron: 50,000

LED Warranty

Standard: 5 Years
Lutron Driver Warranty: 3 Years

ORDERING INFORMATION



Feature	Code	Options	Description
Series		20L	Wall/Slot 2000 LED
Finish/Color		C1	CWM-Matte White
		C2	TCWM-Textured, Matte White
		C3	CSL-Light Silver
		C4	CMA-Machine Aluminum
		C5	CCB-Carbon Black
		C6	TCBC-Textured, Camera Black
		CC	CXY-Custom Color
Color Temperature		30K	3000K
		35K	3500K
		40K	4000K
Output/ft (specifiable in 50 lumens/ft increments)		D050	250 (min)
		D080	800 (max)
Driver		NDM	Non Dimming
		D10	Osram 10% Dimming
		D01	Osram 1% Dimming
		LEC	Lutron Ecosystem Dimming
		LHI	Lutron Hi-Lume 3-Wire Dimming
Circuiting		1C	1 Circuit
		AF	Alternate Fixture Switching
Voltage		UNV	Universal Voltage
		120	120 Volt
		240	240 Volt
		277	277 Volt
Optional Features	Code	Options	Description
Nightlight		_NL	Nightlight Circuit Required. Enter quantity. 2NL = 2 nightlight circuits/row
Emergency		_EF	Emergency Battery Required. Enter quantity. 2 EF = 2 emergency batteries/row
Thru-wiring		W1	No Thru Wire
		W2	Thru Wire all
		W3	Provide Normal Wiring Only
		W4	Provide Emergency Wiring Only
Chicago Environmental Air Modification		CCEA	Chicago Environmental Air Modification

Current 

Current - HLI Brands

701 Millennium Blvd.
Greenville, SC 29607

currentlighting.com/litecontrol

© 2022 Litecontrol Corporation. All rights reserved. Information and specifications subject to change without notice. All values are design or typical values when measured under laboratory conditions.

(Rev October 13, 2022)

WS2000 Brochure_R02
