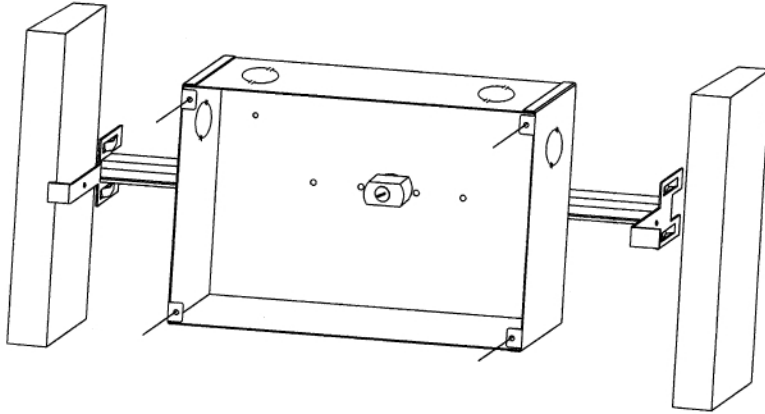




Cast Aluminum Recessed LED Exit Signs **Rough-In Back Box Installation Instructions**



ROUGH-IN BACK BOX INSTALLATION

1. Remove appropriate K.O. for electrical cable entry.
2. Attach adjustable mounting bar through center hole as shown at left.
3. Adjust mounting bar length to fit between wall studs.
4. Fasten assembly to studs so that face of box will be flush with finished wall surface.
5. Attach electrical cable to back box using approved cable connectors (supplied by installer).