



**Cast Aluminum
Recessed LED Exit Signs
Installation Instructions**



IMPORTANT SAFEGUARDS

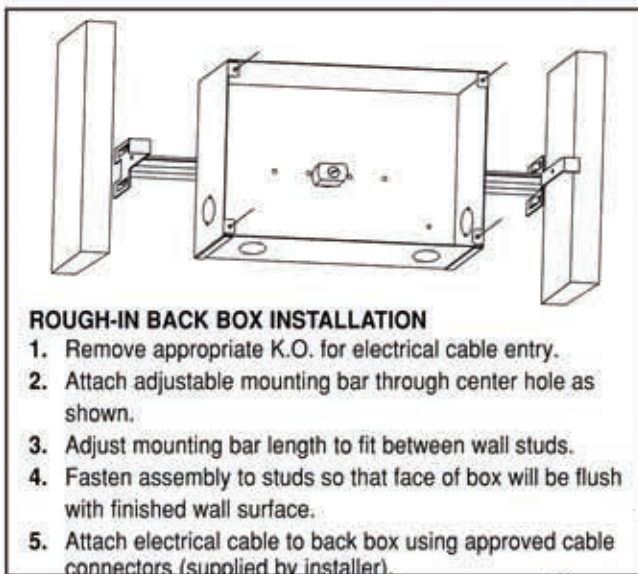
When using electrical equipment, basic safety precautions should always be followed including the following:

READ AND FOLLOW ALL SAFETY INSTRUCTIONS

1. Do not use outdoors.
2. Do not mount near heaters or hot surfaces.
3. Equipment should be mounted in locations and at heights where it will not readily be subjected to tampering by unauthorized personnel.
4. The use of accessory equipment not authorized by the manufacturer may cause an unsafe condition.
5. Do not use this equipment for other than its intended purpose.
6. Service of this equipment should be performed by qualified service personnel.

SAVE THESE INSTRUCTIONS

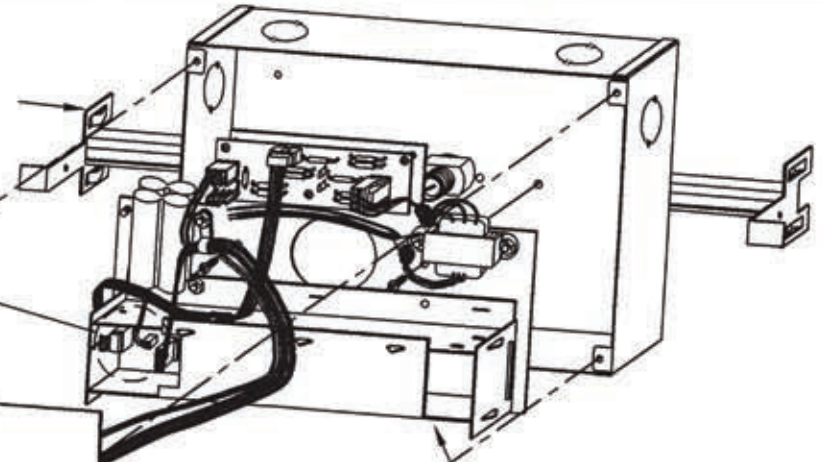
INSTALLATION INSTRUCTIONS



ROUGH-IN BACK BOX INSTALLATION

1. Remove appropriate K.O. for electrical cable entry.
2. Attach adjustable mounting bar through center hole as shown.
3. Adjust mounting bar length to fit between wall studs.
4. Fasten assembly to studs so that face of box will be flush with finished wall surface.
5. Attach electrical cable to back box using approved cable connectors (supplied by installer).

3. Make battery connection in electronic module as shown below.



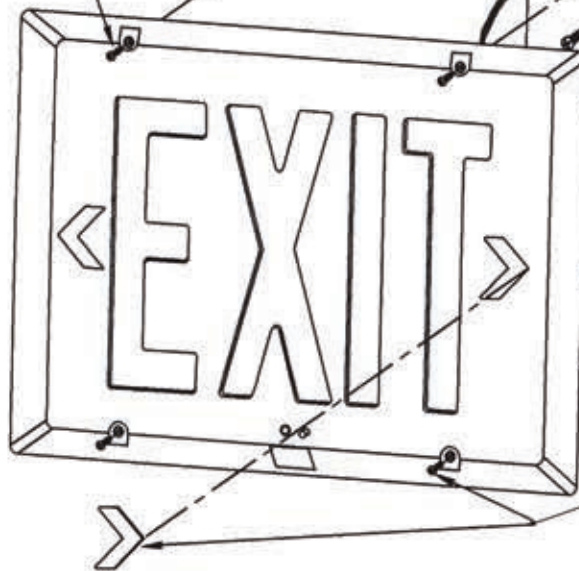
1. Mount electronic module into back box using (2) #6 self-tapping screws provided.

2. Make electrical connections-
 - Black & White = 120VAC
 - Red & White = 277VAC

Caution: Cap off unused lead.

- Make ground connection to green hex screw.
- AC power should be applied within 48 hours to prevent battery self-discharge.

7. Align exit housing to back plate and secure using (4) painted screws provided.



5. Before mounting back plate, remove appropriate knockouts and feed connectors from electronic module through center hole.
 - Secure back plate to back box using (4) #8 self tapping screws provided.

6. Plug connectors from back box into matching connectors of exit housing.
 - Push all connector plugs through center hole in back plate into recessed back box.

4. Remove exit housing from back plate by loosening the four screws on the front face.
 - Before mounting sign, remove directional arrow(s) as required.
 - Loosen four plaque retaining bracket screws and rotate brackets to remove plaque.
 - Drive arrow out from inside of sign. Tap around the entire perimeter for clean break-out.
 - Replace plaque.

0601877_C 4/08