

The LVSKEY-3M-SS is a momentary action low voltage (Class 2) key switch with a center OFF position. Independent contacts are provided for the right (clockwise) and left (counter-clockwise) momentary rotation of the key. The key can be removed from the switch only when in the center position. The assembly includes a standard stainless-steel single switch box cover plate. The switch can be installed for use as either a 3-wire momentary or single pole momentary contact operation depending on the equipment connected.

For the purpose of these instruction we will assume that programming will assume that Clockwise (CW) is the on action and Counter-Clockwise (CCW) is the off action.

INSTALLATION

For 3-Wire Momentary Installation:

NXCI, (Figure 1)

(Programming defines On or Off function)

1. Connect the Black and Black/White wires to the +24V input.
2. Connect the Blue wire to Input 1 (CCW turn) (Off)
3. Connect the Blue/White wire to Input 2 (CW turn) (On)
4. Install the plate onto the switch box, screws not provided

PowerHUBB, (Figure 2)

(Programming defines On or Off function)

1. Connect the Black and Black/White wires to the GND input.
2. Connect the Blue wire to SW-1 (CCW turn) (Off)
3. Connect the Blue/White wire to SW-2 (CW turn) (On)
4. Install the plate onto the switch box, screws not provided

For 4-wire Momentary Installation:

NX, CX (Fig. 3) and NXDCIO (Figure 4)

4-wire installation requires discrete separation of the CW and CCW actions (Programming defines On or Off function)

1. CCW (Off) function requires the Black wire to connect to any 24V input.
2. The CCW (Off) return wire requires the Blue wire to connect to the same input strip CTRL input.
3. CW (On) function requires the Black/White wire to connect to a separate 24V input.
4. The CW (On) return wire requires the Blue/White wire to connect to the same input strip CTRL input.
5. Install the plate onto the switch box, screws not provided

For Single Pole Momentary Installation:

UVPPM, UVPPHD and MPSHD (Figure 5)

Single Pole installation functions as a toggle action for control. The key turned in either direction turns on or alternately off the lights. This wall station only works with Vacancy type control packs.

1. Connect the Black and the Black/White wires to the control pack's Red 24VDC wire.
2. Connect the Blue and Blue/White wires to the Orange wire of the control pack.
3. Install the plate onto the switch box, screws not provided

WIRING DIAGRAMS

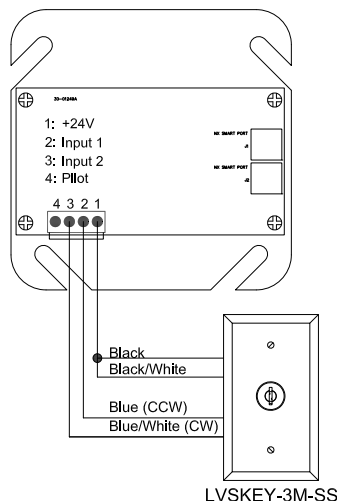


Figure 1: NXCI Contact Interface Module

REV D 72-00641

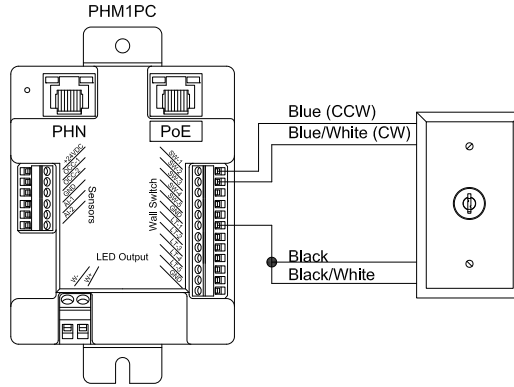


Figure 2: PowerHUBB Node Inputs

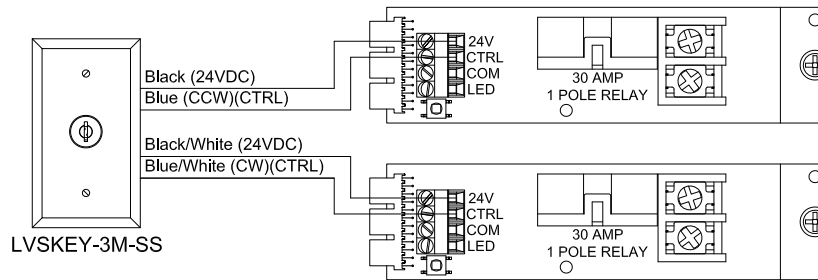


Figure 3: NX or CX Panel Relay Inputs

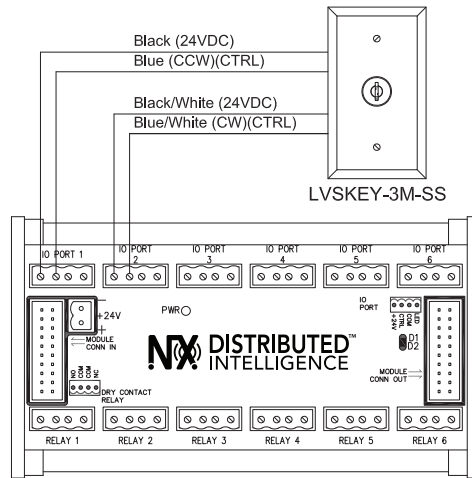


Figure 4: NXCI Contact Interface Module

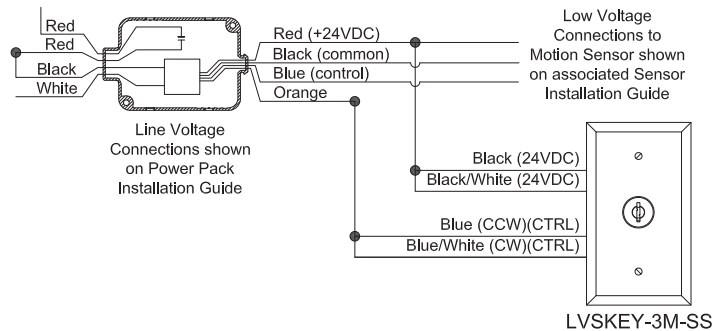


Figure 5: Vacancy Stand-Alone Control Pack