

DESCRIPTION

The CX Commercial Lighting Control Panels Dimming Card is shipped individually from the CX Panel. The following information describes the CXDIMCONTRBD installation. For programming information, refer to the "CX Panel Programming Guide" provided as a separate document with the Panel.

CX04 & CX 08 Series Panels – Support One Dimming Card

CX16 Series Panels – Supports up to Two Dimming Cards

CX24 Series Panels – Supports up to Three Dimming Cards

Note: To utilize 4 total Dimming cards, two panels will need to work together as a Master/Secondary relationship. No more than 4 total dimming cards can be used with 2 CX24 panels.

Note: Dimming channels can only be controlled by one Dimmer Input regardless of how many dimming cards are present.

PRECAUTIONS

- READ AND FOLLOW ALL SAFETY INSTRUCTIONS.
- CAUTION - RISK OF ELECTRICAL SHOCK. To prevent electrical shock, turn off power at the circuit breaker before installing or servicing unit. Never wire energized electrical components.
- NOTICE: For installation by a licensed electrician in accordance with National and/or local Electrical Codes and the following instructions.
- CAUTION: USE COPPER CONDUCTOR ONLY.
- Be sure to read and understand all instructions before installing or servicing unit
- For Indoor use only. Do not use outdoors.
- Do not mount near gas or electric heaters.
- Disconnect switch or a circuit breaker must be provided and marked as the disconnecting device.
- The use of accessory equipment not recommended by the manufacturer may cause an unsafe condition.
- Confirm that device ratings are suitable for application prior to installation.
- No user serviceable parts contained inside unit. Refer all service related questions to the factory.
- All servicing shall be performed by qualified service personnel.
- Equipment should be mounted in locations and at heights where it will not readily be subjected to tampering by unauthorized personnel.
- Use only approved materials and components (i.e. twist on connectors, electrical box, etc.) as appropriate for installation.
- NOTICE: Do not install if product appears to be damaged.
- If the equipment is used in a manner not specified by the manufacturer, the protection provided by the equipment may be impaired.
- Do not use this equipment for other than intended use.

SAVE THESE INSTRUCTIONS!

INSTALLING INDIVIDUAL DIMMING CARDS

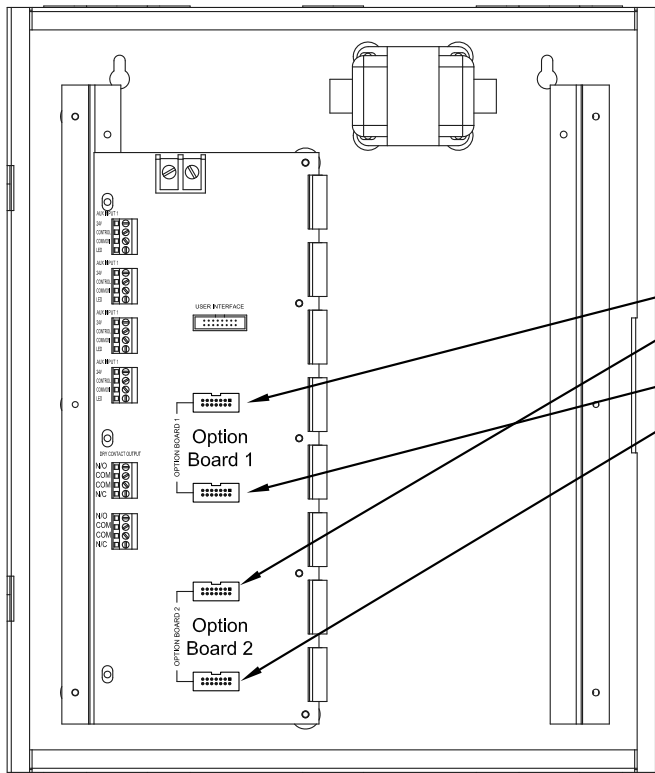
Caution: ALWAYS remove supply power to the Panel control Transformer prior to making any connections between dimming boards and panel processor board. Failure to do so may result in personnel injury, damage to the panel, and void its warranty

Disconnect power from the panel. Remove the CXDIMCONTRBD from its packaging. Review the connector on the back of the card. You must align the card so that the keying symbol aligns correctly with the CX Panel board.

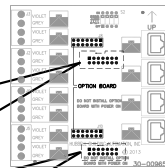
Configure the dip switches to individualize your dimming card(s). This can be done prior or after attaching the dimming card to the connectors on the mother board(s). The dip switches must be configured prior to energizing the panel. If the panel is turned on prior to setting the dip switches, they may not be recognized. Cycle power to the panel to re initialize so the CX Controller is able to recognize the dimming card dip switch settings.

Verify Firmware. If installing the card into an existing panel, it is possible the firmware will need to be upgraded for the panel to function correctly with the dimming card. Please contact Technical Services.

Locate Option connectors on CX CPU Board. Verify Key alignment and firmly press board into place.

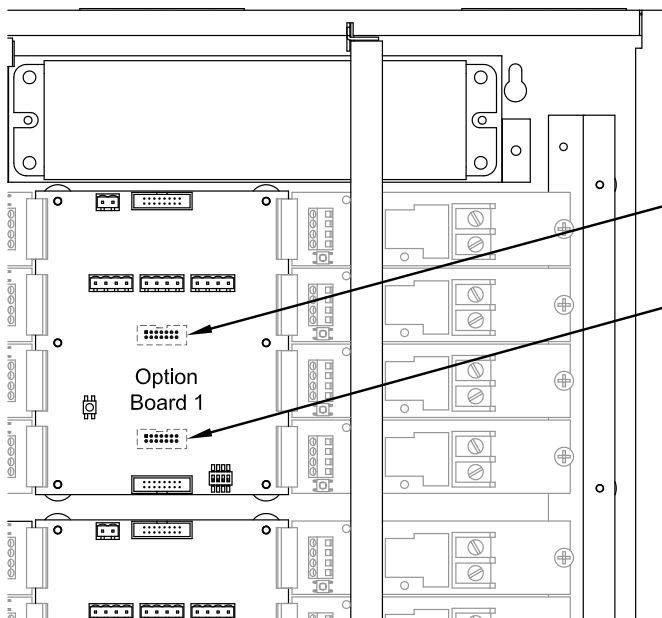


CX Dimming Option Card

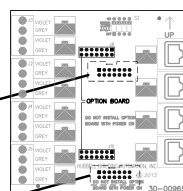


Orientate the Keyed Template located on the CX Dimming Option Board to the Keyed Template on the Mother Board of the CX Panel. Choose either the 1 or 2 location. No more than 1 CX Dimming Option Card can be placed on any one motherboard.

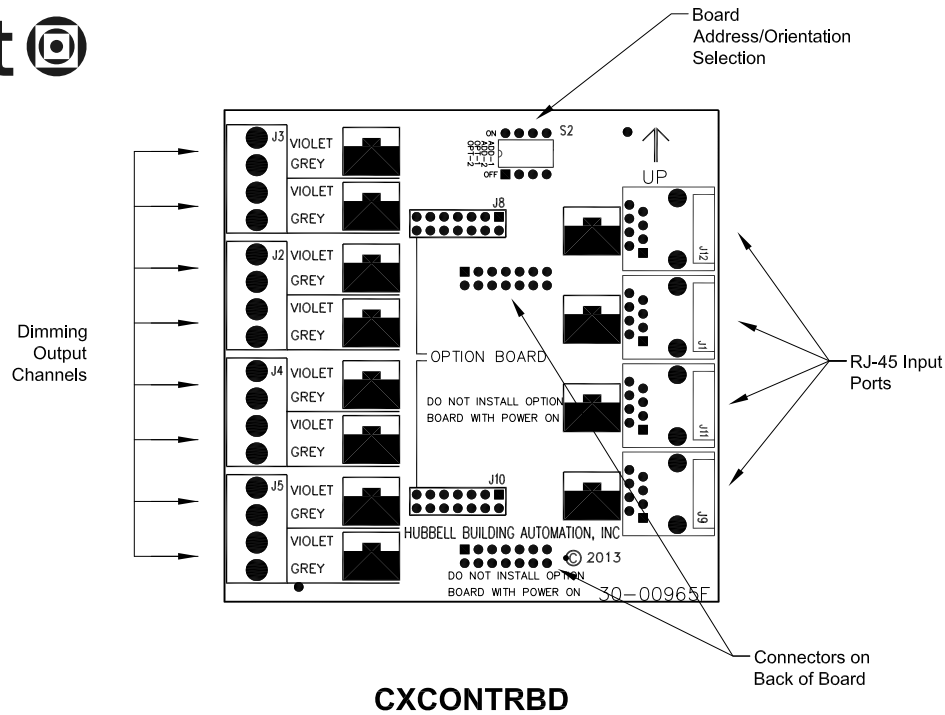
CX16/24 (Note -On the CX16 the third CPU board and relays 17-24 are not present).



CX Dimming Option Card

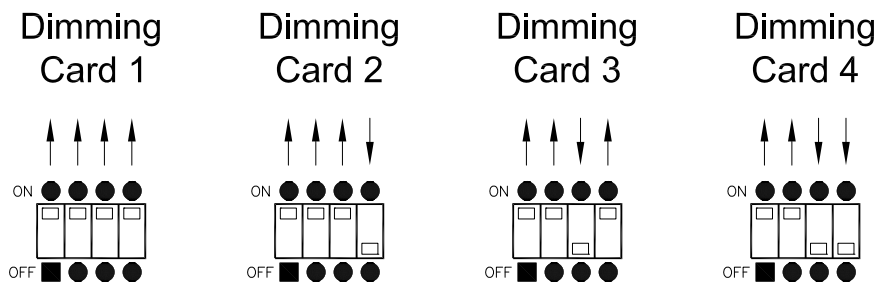


Orientate the Keyed Template located on the CX Dimming Option Board to the Keyed Template on the Mother Board of the CX Panel. Choose either the 1, 2 or 3 location. No more than 1 CX Dimming Option Card can be placed on any one motherboard.



CXCONTRBD

DIP SWITCH SETTINGS



The naming of Dimming Card 1, Dimming Card 2, etc. refers to the name given per the dip switch configuration chosen, not the placement or the quantity of cards installed. The menu screen will reflect the name of the configuration chosen. For Example for Inputs: DI11, DI21, DI31 or DI41, etc. Example for Dimmer Channels: DM11, DM21, DM31, DM41, etc.

If multiple dimming cards have the same dip switch configuration those like dimming cards will have the exact same functionality, whether the dimming channels and/or dimmer inputs.

DIMMING CHANNEL CONNECTIONS

To connect the low voltage dimming inputs, do the following:

1. Bring the low voltage wiring for the dimming circuits in through the knockouts in the low voltage wiring area. Circuits are software configurable through programming. Each dimming channel is capable of sinking 30mA.
2. Terminate the gray and purple wires from the dimming driver/ballast to the appropriate terminals using 16-18 AWG wire.

SWITCH INPUT CONNECTION - RJ45 PORTS (Dimmer Inputs)

- CXSW switch stations can only be connected to the CX Dimming card using a standard Cat5e/6 cable with RJ45 connectors.
- Each port can be configured through programming.
- Each port is capable of performing 6 actions.
- Multiple switch stations performing the same action are to be daisy chained from the same RJ45 port.
- Daisy chained switch stations performing the same action do not count as multiple actions, for example: 3 daisy chained switch stations performing an off command to the same relay count as 1 action.

Note, this instruction manual only addresses the CXDIMCONTRBD installation. For further installation and programming information, please refer to the CX Panel Installation and programming Instructions.