

PRECAUTIONS

- Read and understand all instructions before beginning installation.
- **NOTICE:** For installation by a licensed electrician in accordance with National and/or local Electrical Codes and the following instructions.
- Confirm device ratings are suitable for application prior to installation. Use of device in applications beyond its specified ratings or in applications other than its intended use may cause an unsafe condition and will void manufacturer's warranty.
- **NOTICE:** Do not install if product appears to be damaged.

SAVE THESE INSTRUCTIONS!

DESCRIPTION

The NX Network Bridge Module allows one Zone of NX Room Controller based distributed lighting control to be connected to the NX Networked for web browser based setup, monitoring and control. The network interface in the bridge is configured to provide an IN and OUT connection point for the NX Network. This allows a single daisy chain connection of the bridges minimizing the amount of Cat5 wire required to connect the Area Controller to the network of Room Controllers. See Figure 1.

INSTALLATION

Consult the factory submittal documentation that may be associated with this project for specific recommendations and requirements for running the NX Networked cable(s). The NX Network consists of Ethernet plus 24 VDC power. This configuration is commonly referred to as POE (power over Ethernet).

1. Plan the installation so there is no more than 100 meters (330 feet) of CAT5 wire between any two bridges. If required, a spare NXHNB bridge module may be used as a repeater to provide an additional 100 meters of wire distance. It is strongly recommended that network segments be restricted to a single floor or wing of a building to facilitate troubleshooting should this become necessary. Do not "snake" the network cable between floors. Consult the factory if additional network segments are necessary.
2. Mount the NXHNB network bridge module to the same junction box as one of the NXRC Room Controllers using the non electrified 1/2" nipple.
3. Connect the RJ45 port marked SmartPORT™ on the Bridge to any of the RJ45 *SmartPORT* connectors on the Room Controller using a short CAT5 cable.

NOTE: If the room has more than one Room Controller installed, it is only necessary to install one NXHNB bridge module and it should only be connected to only one *SmartPORT* connector on any one of the Room Controllers.

4. Connect the CAT5 NX Networked Cable to either RJ45 NX Networked port on the NXHNB network bridge module. Note that the NX Networked segment cable may have originated from the NXAC Area Controller or an NX Panel depending on the design and layout of your system.
5. Connect a CAT5 cable from the second RJ45 port on the first bridge to one of the *SmartPORT* connectors on the second bridge.
6. Continue the above until all bridges are connected. Assuming the originating Area Controller or NX Panel is powered, the green link light LED on each NX Networked port should light as the bridges are connected.

CAUTION: Never attempt to splice Cat5 cable. Use only proper industry accepted means to extend or join Cat5 Ethernet network cable runs.

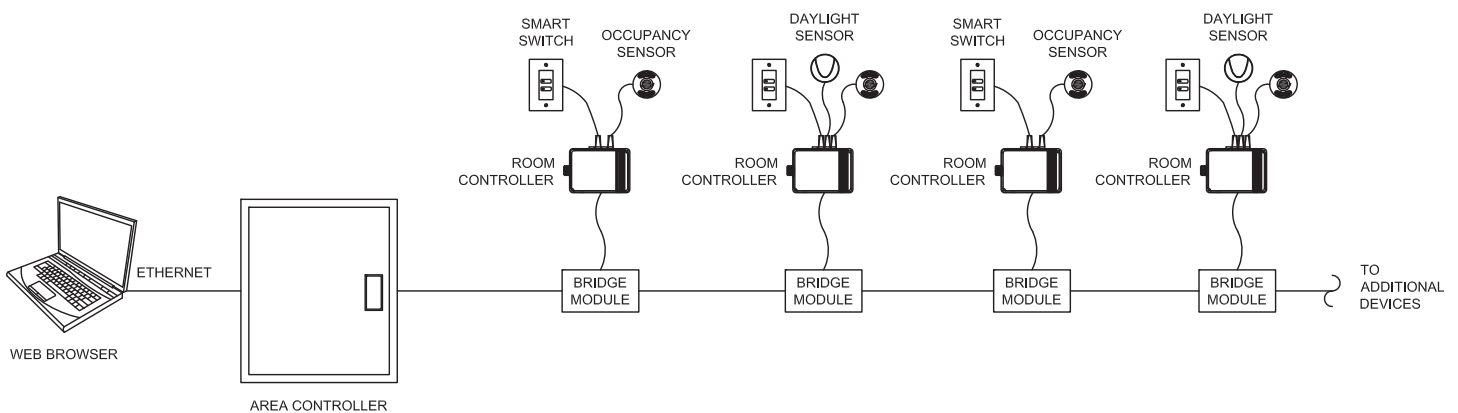


FIGURE 1

Typical Mounting

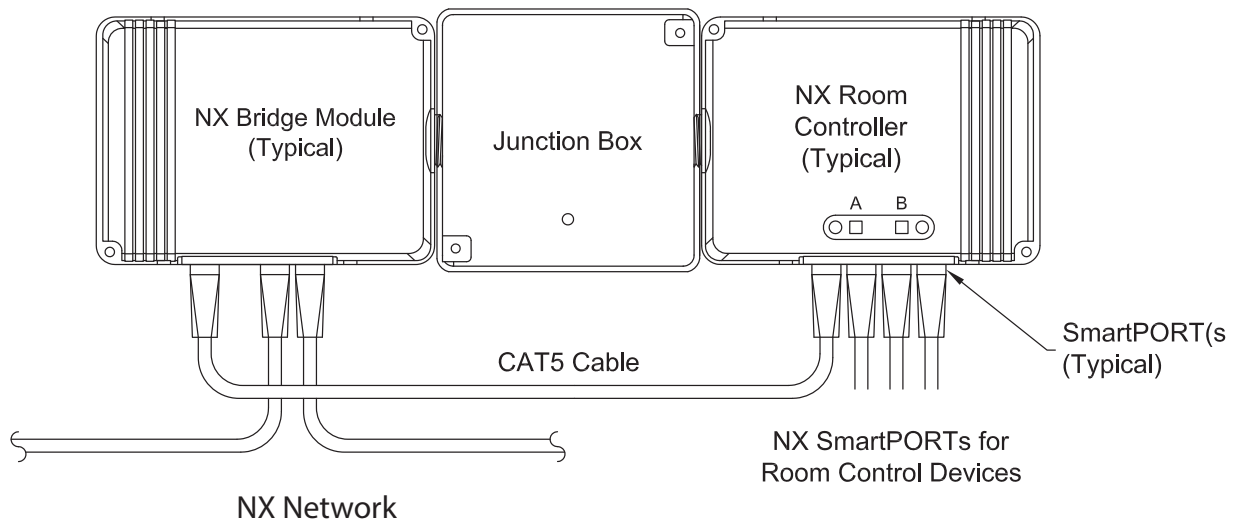


FIGURE 2

72-00548