



**NXSW2 Switch Stations
Graphic Touchscreen
NXSW2 GRAPHIC TOUCHSCREEN
INSTALLATION INSTRUCTIONS**

**IMPORTANT SAFEGUARDS
READ AND FOLLOW ALL SAFETY INSTRUCTIONS**

PRECAUTIONS

Read and understand all instructions before beginning installation.

CAUTION:

FOR USE WITH CLASS 2, LOW VOLTAGE SYSTEMS ONLY. DO NOT USE IN HIGH VOLTAGE APPLICATIONS.

NOTICE: Class 2 Device, 12V - 24V, 35mA

CAUTION:

Do Not Inter-connect the Outputs of Different Class 2 Circuits.

CAUTION:

Disconnect Cat 5 cable before servicing

NOTICE: For installation by a licensed electrician in accordance with National and/or Local Electrical Codes and the following instructions.

Confirm device ratings are suitable for application prior to installation. Use of this device in applications beyond its specified ratings other than its intended use may cause an unsafe condition and will void manufacturer's warranty.

Use only approved materials and components (i.e. wire nuts, electrical box, etc.) as appropriate for installation.

NOTICE: DO NOT INSTALL IF PRODUCT APPEARS TO BE DAMAGED.

NOTICE: Do not use outdoors. For Indoor use only.

NOTICE: Do not use this equipment for other than its intended use.

REGULATORY INFORMATION

1. This device complies with Part 15 of the FCC Rules. Operation is subject to the following two conditions:
 1. This device may not cause harmful interference, and
 2. This device must accept any interference received, including interference that may cause undesired operation.
2. This equipment has been tested and found to comply with the limits for a Class B digital device, pursuant to Part 15 of the FCC Rules. These limits are designed to provide reasonable protection against harmful interference in a residential installation. This equipment generates, uses and can radiate radio frequency energy and, if not installed and used in accordance with the instructions, may cause harmful interference to radio communications. However, there is no guarantee that interference will not occur in a particular installation. If this equipment does cause harmful interference to radio or television reception, which can be determined by turning the equipment off and on, the user is encouraged to try to correct the interference by one of the following measures:
 - Reorient or relocate the receiving antenna.
 - Increase the separation between the equipment and receiver
 - Connect the equipment into an outlet on a circuit different from that to which the receiver is connected.
 - Consult the dealer or an experienced radio/TV technician for help.
3. Any changes or modifications not expressly approved by the party responsible for compliance could void the user's authority to operate this equipment.
4. This device contains licence-exempt transmitter(s)/ receiver(s) that comply with Innovation, Science and Economic Development Canada's licence-exempt RSS(s). Operation is subject to the following two conditions:
 1. This device may not cause interference.
 2. This device must accept any interference, including interference that may cause undesired operation of the device.

L'émetteur/récepteur exempt de licence contenu dans le présent appareil est conforme aux CNR d'Innovation, Sciences et Développement économique Canada applicables aux appareils radio exempts de licence.

REGULATORY INFORMATION (Continued)

L'exploitation est autorisée aux deux conditions suivantes :

1. L'appareil ne doit pas produire de brouillage;
 2. L'appareil doit accepter tout brouillage radioélectrique subi, même si le brouillage est susceptible d'en compromettre le fonctionnement.
5. FCC Radiation Exposure Statement: This equipment complies with FCC radiation exposure limits set forth for an uncontrolled environment. This equipment should be installed and operated with a minimum distance 20 cm between the radiator and your body.
 6. ISED Radiation Exposure Statement: This equipment complies with RSS-102 radio frequency radiation exposure limits set forth for an uncontrolled environment. This equipment should be installed and operated with a minimum distance of 20 cm between the radiator and your body

ISDE Déclaration d'exposition aux radiations: Cet équipement est conforme aux limites d'exposition CNR-102 aux radiofréquences établies pour un environnement non contrôlé. Cet équipement doit être installé et utilisé avec un minimum de 20 cm de distance entre la source de rayonnement et votre corps.

DESCRIPTION

The NXSW2-GT4-WH is a graphical touchscreen powered over CAT 5 by a NX Controller. Its high resolution 4.3" TFT LCD offers 16 customizable control screens. The touchscreen has an integrated 2.4GHz wireless mesh and Bluetooth radio for maximizing communication and configuration flexibility.

This touchscreen is a class 2 low voltage device that sends control commands via cat 5 cable or wirelessly via the NX wireless mesh network.

CONSTRUCTION

- Housing: Rugged injection molded plastic, Polyloc FR-ABS, (UL-94 5VA) flame class rating 2.4oz (68g)
- Dimensions: 4.12" (104.65mm) H x 1.86" (47.24mm) x 1.86" (47.24mm) D
- Color: White
- Additional Colors supported through separate Color Pack (NXSW2-CPGT4-KIT - Black, Gray, Ivory, Light Almond, Red)

SCREEN

- 4.3" Diagonal IPS TFT LCD
- Capacitive Touch
- 400x800 Screen Resolution
- 16-Bit color

MOUNTING

- NEMA- style single gang switch box or low voltage ring (recommended mounting height is 52"-60" from floor which is common for thermostats for easier reading of the touchscreen)

ELECTRICAL

Input:

- Input Voltage: 12 - 24VDC supplied by NX Room Controller
- Power Consumption: -15 PBU
- Rated Impulse Voltage: 330V

OPERATING ENVIRONMENT

- Rated for Indoor Use Only
- Operating temperature: 32° to 104°F (0° to 40°C)
- Relative humidity (non-condensing) 0% to 95%
- Pollution Degree 2

WIRELESS

- 2.4GHz: IEEE 802.15.4
- Bluetooth® Version V5.2
- Range: 100ft (30m) Note: actual range is dependent upon building construction and radio location
- Recommended Deployment Practices: Locate three NX devices with wireless mesh radios within a 300-foot radius for most reliable performance

SENSORS

- Proximity Sensor: Active IR Technology sensitive up to 6 inches

PROGRAMMING INTERFACE

- General configuration through touch screen GUI
- Complete configuration through NX Lighting Controls Mobile App

CERTIFICATIONS

- cULus Listed
- Complies with FCC Part 15
- FCC ID: OOOMGM12P0
- IC: 5123A-MGM12P0

WARRANTY

- 5 Year Limited Warranty

PASSWORD

- Default: Curr3nt!



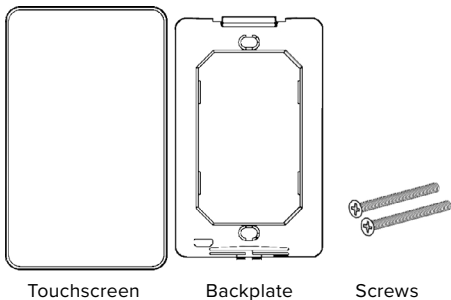
**NXSW2 Switch Stations
Graphic Touchscreen
NXSW2 GRAPHIC TOUCHSCREEN
INSTALLATION INSTRUCTIONS**

SAVE THESE INSTRUCTIONS AND PROVIDE TO OWNER AFTER INSTALLATION IS COMPLETED

NXSW2-GT4 IS RATED FOR INDOOR USE ONLY

NOTE: The NXSW2-GT4 is designed to be mounted in a single gang NEMA-style switch box or Low Voltage Ring and is not gangable with other Low Voltage devices

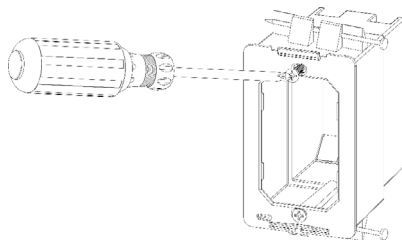
INSTALLATION FOR WALL BOX DEPLOYMENT



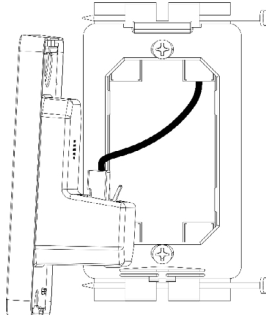
1. Prepare the installation site as necessary to install the touchscreen. Run the CAT 5 cable from the NX Room Controller to the touchscreen switchbox location per the Wiring Diagram below. NOTE: Low voltage wiring must be isolated from line voltage wiring. Consult National and Local Electrical Codes for conduit requirements.

2. Attach the Backplate with the tab in in the top position to the switchbox using the attached screws

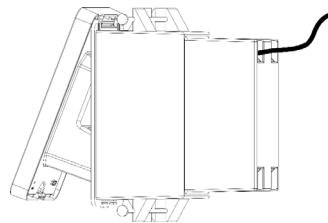
Tab must be located at top



3. Plug the CAT 5 cable into either of the RJ-45 connectors on the back of the touchscreen. If the touch screen there is a second CAT5 cable in the box plug that into the remaining open RJ-45 connector. Verify a solid snap-in connection by giving a gentle tug on the cable.



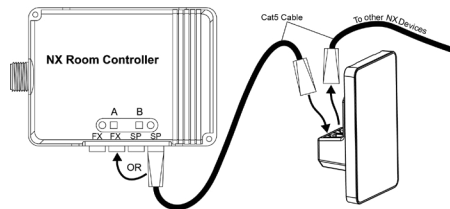
4. Push the excess cable into the box and hang the back of the touchscreen on the tab at the top of the Backplate and press the bottom of the touchscreen toward the wall until you feel the backplate pressure snap engage with the bottom of the touchscreen. Give the touchscreen a gentle tug to ensure a complete connection.



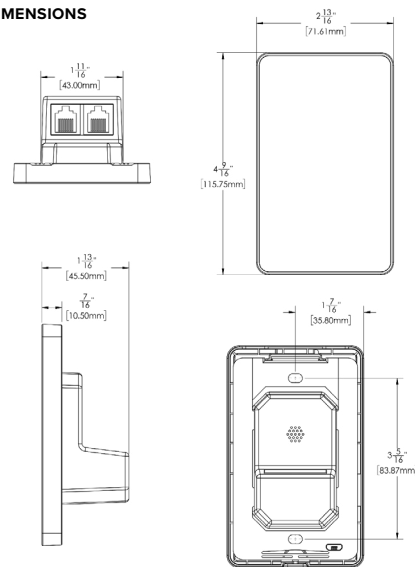
SEE STARTUP GUIDE FOR DISCOVERING AND CONFIGURING TOUCHSCREEN

WIRING DIAGRAM

Plug the CAT 5 cable into either of the RJ-45 connectors on the back of the touchscreen. If there is a second CAT5 cable in the box plug that into the remaining open RJ-45 connector. If the Touchscreen 2.4 GHz Mesh Radio is going to be used then the Cat 5 cable should be plugged into the FX port, otherwise the cable can be plugged into the SP port.



DIMENSIONS



Current®

Rev 07/18/25

3487_NXSW2_GT4_Install_Sheet_Folded

currentlighting.com

© 2025 HLI Solutions, Inc. All rights reserved. Information and specifications subject to change without notice. All values are design or typical values when measured under laboratory conditions. Greenville, SC 29607