

## IMPORTANT SAFEGUARDS READ AND FOLLOW ALL SAFETY INSTRUCTIONS

### PRECAUTIONS

Read and understand all instructions before beginning installation.

**CAUTION: FOR USE WITH CLASS 2, LOW VOLTAGE SYSTEMS ONLY. DO NOT USE IN HIGH VOLTAGE APPLICATIONS.**

**NOTICE:** For installation by a licensed electrician in accordance with National and/or Local Electrical Codes and the following instructions.

Confirm device ratings are suitable for application prior to installation. Use of this device in applications beyond its specified ratings other than its intended use may cause an unsafe condition and will void manufacturer's warranty.

Use only approved materials and components (i.e. wire nuts, electrical box, etc.) as appropriate for installation.

**NOTICE: DO NOT INSTALL IF PRODUCT APPEARS TO BE DAMAGED.**

**NOTICE:** Do not use outdoors.

**NOTICE:** Do not use this equipment for other than its intended use.

**NOTICE:** The NX Wireless Wall Station uses 1 CR2032 coin cell battery ONLY. Do not use rechargeable battery. Using an improper battery may damage the NX Wireless Wall Station. Please dispose of this battery at a recycling facility. Contact your local waste disposal provider to find a recycling center location nearest you.

**CAUTION:** Risk of explosion if battery is replaced by an incorrect type. Dispose of used batteries according to instructions.

**ATTENTION:** Risque d'explosion si la pile est remplacée par un type incorrect.

### REGULATORY INFORMATION

• Contains Transmitter Module FCC ID: YH9NXSWWRS IC:9044A-NXSWWRS

1. This device complies with FCC part 15 Rules. Operation is subject to the following two conditions:  
This device may not cause harmful interference.

2. This device must accept any interference received, including interference that may cause undesired operation.

• FCC Interference Statement (Part 15.105(b)): This equipment has been tested and found to comply with the limits for a Class B digital device, pursuant to Part 15 of the FCC Rules. These limits are designed to provide reasonable protection against harmful interference in a residential installation. This equipment generates uses and can radiate radio frequency energy and, if not installed and used in accordance with the instructions, may cause harmful interference to radio communications. However, there is no guarantee that interference will not occur in a particular installation. If this equipment does cause harmful interference to radio or television reception, which can be determined by turning the equipment off and on, the user is encouraged to try to correct the interference by one of the following measures:

1. Reorient or relocate the receiving antenna.
2. Increase the separation between the equipment and receiver
3. Connect the equipment into an outlet on a circuit different from that to which the receiver is connected.
4. Consult the dealer or an experienced radio/TV technician for help.

• FCC Part 15 Clause 15.21: Changes or modifications not expressly approved by the party responsible for compliance could void the user's authority to operate the equipment.

• ISED RSS-Gen Notice

This device complies with Industry Canada's license-exempt RSSs. Operation is subject to the following two conditions:

1. The device may not cause interference; and
2. This device must accept any interference, including interference that may cause undesired operation of the device.

Le présent appareil est conforme aux CNR d'Industrie Canada applicables aux appareils radio exempts de licence. L'exploitation est autorisée aux deux conditions suivantes:

1. l'appareil ne doit pas produire de brouillage;
2. l'appareil doit accepter tout brouillage radioélectrique subi, même si le brouillage est susceptible d'en compromettre le fonctionnement.

**SAVE THESE INSTRUCTIONS AND PROVIDE TO OWNER AFTER INSTALLATION IS COMPLETED**

## DESCRIPTION

NX Wireless Wall Station provides wireless manual control of the NX System. The NX Wireless Wall Station provides simple ON, RAISE, LOWER, and OFF functionality for NX Devices and NX Enabled Luminaires. The NX Wireless Wall Station can be configured via the NX mobile application and can be utilized in either stand alone or networked applications with other NX Room Control or NX Network devices.

## SPECIFICATIONS

### MOUNTING

- Installed directly into a standard gang box using a standard decorator-style faceplate (not included)
- Can be installed using the provided 3M Command™ Strip and Hubbell Controls custom faceplate
- Can be installed next to an existing standard gang box using the provided 3M Command™ Strip and multiple station decorator-style faceplate (not included)
- Built in level to ensure device is installed perfectly

### ELECTRICAL

- Input:
- Class 2 Low Voltage
  - 3VDC. 5.4mA
  - Powered using CR2032 Battery Only

### OPERATING ENVIRONMENT

- Rated for Indoor Use ONLY
- Operating temperature: 32° to 104°F (0° to 40°C)
- Relative humidity (non-condensing): 0% to 90%

### CERTIFICATIONS

- Conforms with UL STD 916 and CSA C22.2 No. 205
- FCC Part 15.247
- Contains Transmitter Module FCC ID: YH9NXSWWRS
- Bluetooth® Version 4.1

### WARRANTY

- 5 year limited warranty
- See Current Standard Warranty for additional information

### PASSWORD

- Default: HubbN3T!

## BATTERY INSTALLATION

1. Before using the NX Wireless Rocker Wall Station you will need to first remove the battery tab.
2. Pull the plastic tab out from the back of the product and discard (See Figure 1).
3. The NX Wall Station is now powered and can be installed using one of the three approved methods listed below :

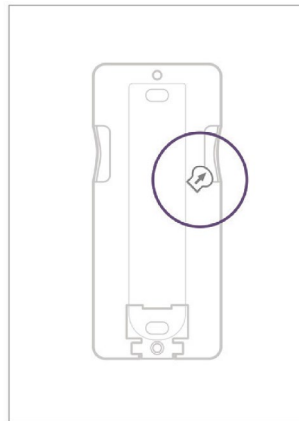
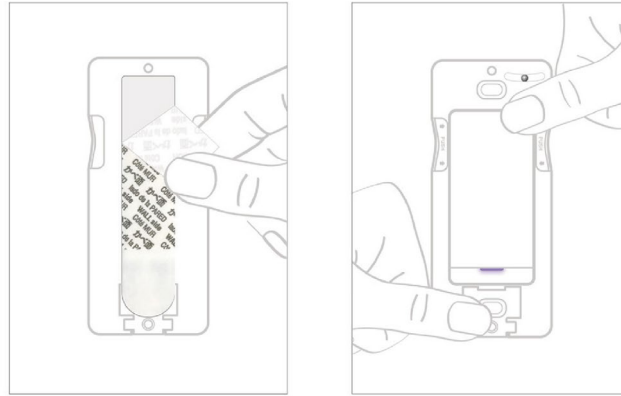


FIGURE 1: REMOVAL OF BATTERY TAB

## WALL MOUNT INSTALLATION

1. To mount your NX Wireless Rocker Wall Station directly onto a wall, first thoroughly clean the wall's surface with isopropyl alcohol to remove any dirt or dust (Do not mount to applications where wallpaper is applied).
2. Remove the plastic backing to the 3M Command™ Strip and align the strip with the recessed area on the back of the NX Wall Station (See Figure 2).

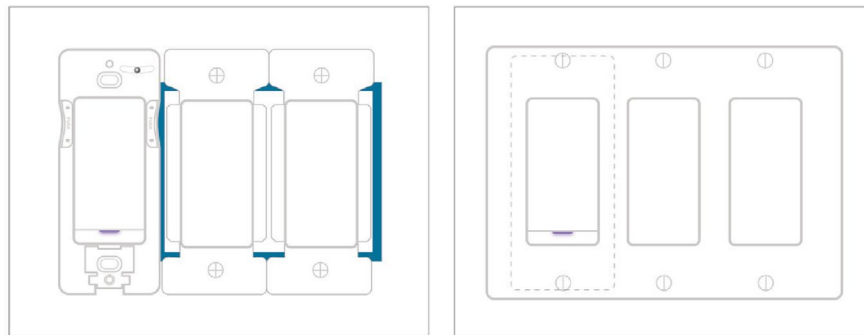
3. Peel off the opposite side of the plastic backing and ensure that the product is level before pressing firmly to the wall. Hold for 30 seconds to ensure adhesion (See Figure 2).
4. Install the magnetic NX Wall Station faceplate, or a decorator-style faceplate of your choice. If a faceplate other than the one provided requires screws, use the shorter 6mm screws provided to anchor the faceplate to the NX Wall Station.



**FIGURE 2: WALL MOUNT INSTALLATION**

### ADJACENT GANG BOX INSTALLATION

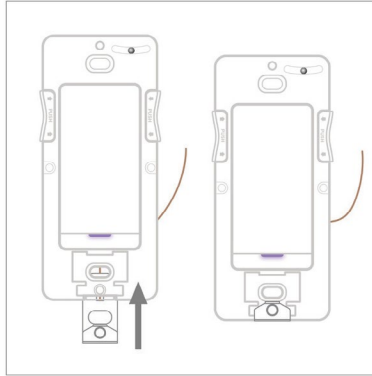
1. To mount your NX Wireless Rocker Wall Station directly onto a wall adjacent to a standard gang box, first thoroughly clean the wall's surface with isopropyl alcohol to remove any dirt or dust (Do not mount to applications where wallpaper is applied).
2. Mount the decorator-style faceplate to the NX Wall Station using the provided 6mm screws.
3. Remove the plastic backing to the 3M Command™ Strip and align the strip with the recessed area on the back of the NX Wall Station.
4. Peel off the opposite side of the plastic backing and ensure that the product is level before pressing firmly to the wall. Hold for 30 seconds to ensure adhesion.
5. Carefully align the faceplate with the existing wall switches before pressing firmly to the wall. Hold for 30 seconds to ensure adhesion(See Figure 3).
6. Install the remaining faceplate screws into the adjacent wall switch(es).



**FIGURE 3: ADJACENT GANG BOX INSTALLATION**

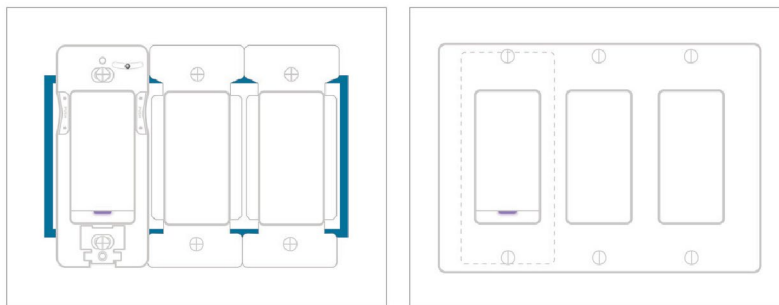
### DIRECT GANG BOX INSTALLATION

1. Turn power OFF at the service panel before installing the NX Wall Station.
2. Install the ground wire assembly on the access door of the NX Wall Station as seen in Figure 4.



**FIGURE 4: GROUND WIRE INSTALLATION**

3. Connect the ground wire attached to the NX Wall Station to the ground wire located in the gang box.
4. If you choose this method of installation, the 3M Command™ Strip is not required. If direct mounting to a gang box, use the longer 22mm screws provided to mount the device directly to the gang box (See Figure 5).
5. Install a standard decora faceplate (not included) using the shorter 6mm screws provided to anchor the faceplate to the NX Wall Station. CAUTION: the NX Wall Station faceplate provided is not intended for use when mounting directly to a gang box.
6. Turn the power ON at the service panel once installation is complete.



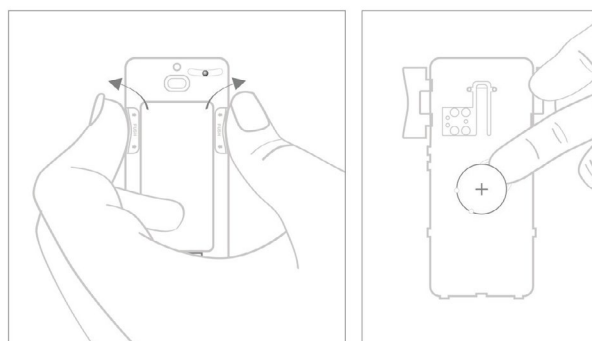
**FIGURE 5: DIRECT GANG BOX INSTALLATION**

NOTE: No line voltage leads should be left in the same junction box as this control.

## BATTERY REPLACEMENT

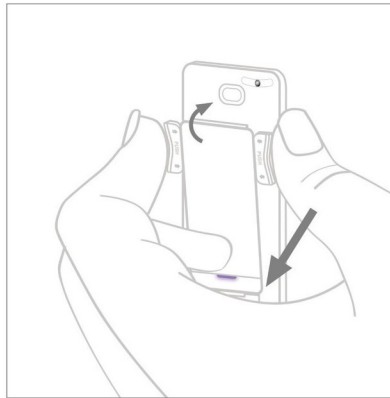
NOTE: The NX Wireless Rocker Wall Station uses a standard CR2032 battery ONLY, and has an expected lifetime up to 5 years under normal operating conditions.

1. To access the battery first remove the faceplate from the NX Wall Station.
2. After the faceplate has been removed press the module assembly as indicated in Figure 6 tilting the top toward you to remove the device from the mounting plate.



**FIGURE 6: REMOVAL OF DEVICE FOR BATTERY REPLACEMENT**

3. After the module assembly has been removed turn the device over to reveal the battery located on the back.
4. Remove the battery by inserting your finger in the notch and pulling it toward you as seen in Figure 6.
5. When replacing the battery, be sure to install with the positive (+) side facing out so it is visible.
6. To replace the module line up the tabs on the bottom of the module assembly with the arrows on the bottom of the mounting plate as seen in Figure 7.



**FIGURE 7: REINSTALLING THE MODULE ASSEMBLY**

7. Tilt the top of the module assembly up and press it firmly until it clicks into place.
8. Reinstall the faceplate.

## **PROGRAMMING INSTRUCTIONS**

1. To discover the NX Wireless Rocker Wall Station you must first place the device into the discovery mode.
2. Press the bottom button of the NX Wireless Rocker Wall Station you are attempting to discover and hold for 10 seconds.
3. While holding the button the pilot will blink. Once the pilot stops blinking, this will indicate that the device is in discovery mode and is now discoverable by the NX mobile app.
4. Go to the NX mobile app and locate the devices unique ID and select the device.
5. Once you select the device, you can now configure the wall station settings.