

PRECAUTIONS

Read and understand all instructions before beginning installation.

- CAUTION: FOR USE WITH CLASS 2, LOW VOLTAGE SYSTEMS ONLY. DO NOT USE IN HIGH VOLTAGE APPLICATIONS.
- NOTICE: Class 2 Device, 12-24V, 10mA
- NOTICE: Raintight Device
- NOTICE: Suitable for Use in Other Environmental Air Space (Plenums) in Accordance with Section 300.22, (C) of the National Electrical Code.
- NOTICE: For installation by a licensed electrician in accordance with National and/or local Electrical Codes and the following instructions.
- Confirm device ratings are suitable for application prior to installation. Use of device in applications beyond its specified ratings or in applications other than its intended use may cause an unsafe condition and will void manufacturer's warranty.
- Use only approved materials and components (i.e. wire nuts, electrical box, etc.) as appropriate for installation.
- NOTICE: Do not install if product appears to be damaged.
- FCC ID: YH9NXSMP IC: 9044A-NXSMP
- This device complies with FCC part 15 Rules. Operation is subject to the following two conditions:
 1. This device may not cause harmful interference,
 2. This device must accept any interference received, including interference that may cause undesired operation.
- FCC Interference Statement (Part 15.105 (b))

This equipment has been tested and found to comply with the limits for a Class B digital device, pursuant to Part 15 of the FCC Rules. These limits are designed to provide reasonable protection against harmful interference in a residential installation. This equipment generates uses and can radiate radio frequency energy and, if not installed and used in accordance with the instructions, may cause harmful interference to radio communications. However, there is no guarantee that interference will not occur in a particular installation. If this equipment does cause harmful interference to radio or television reception, which can be determined by turning the equipment off and on, the user is encouraged to try to correct the interference by one of the following measures:

- Reorient or relocate the receiving antenna.
- Increase the separation between the equipment and receiver.
- Connect the equipment into an outlet on a circuit different from that to which the receiver is connected.
- Consult the dealer or an experienced radio/TV technician for help.
- FCC Part 15 Clause 15.21: Changes or modifications not expressly approved by the party responsible for compliance could void the user's authority to operate the equipment.
- ISED RSS-Gen Notice:

This device complies with Industry Canada's licence-exempt RSSs. Operation is subject to the following two conditions:

 1. This device may not cause interference; and
 2. This device must accept any interference, including interference that may cause undesired operation of the device.

Le présent appareil est conforme aux CNR d'Industrie Canada applicables aux appareils radio exempts de licence. L'exploitation est autorisée aux deux conditions suivantes:

1. l'appareil ne doit pas produire de brouillage;
2. l'appareil doit accepter tout brouillage radioélectrique subi, même si le brouillage est susceptible d'en compromettre le fonctionnement.

SAVE THESE INSTRUCTIONS!

DESCRIPTION

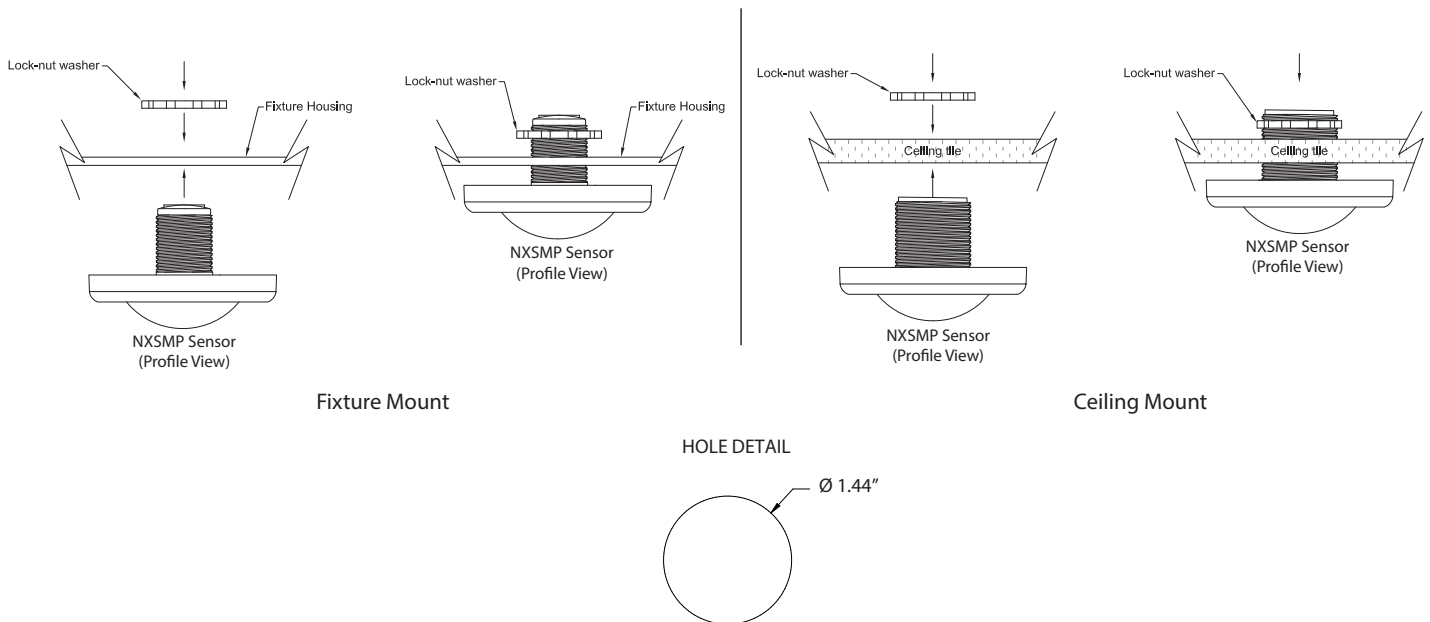
The NXSMPLMO and NXSMPLHMO smart sensor modules feature a Passive Infrared (PIR) occupancy sensor and daylight sensor specifically designed for installation within a lighting fixture or ceiling tile. When used with the appropriate NXFM fixture module, the sensors can be programmed to provide automatic on/off control based on occupancy and/or automatic light level control based on the amount of ambient daylight. An integral Bluetooth® radio enables the sensors to be programmed locally using the NX Room Setup App on an Android™ or iOS® smart device.

INSTALLATION

Note: The NXSMPL sensors are designed to mount on a flat surface in a round opening measuring between 1 3/16" and 1 1/4" in diameter.

1. Choose a mounting location on the fixture where the sensor lens will be oriented downward as close to level as possible. Use the supplied locking ring and gasket to secure the sensor in place. Do not over tighten the locking ring.
2. Plug the appropriate end of the supplied cable into one of the miniature 4 pin receptacles on the back of the sensor. Note that two receptacles are supplied to allow for additional NX modules to be connected in series.
3. Plug the other end of the cable into the RJ45 port on the NXFM fixture module.
4. Peel one of the supplied MAC address labels from the sensor body and apply it to the outside of the fixture in a position where it is visible from below. This label will be used by the technician during calibration of the sensor and later removed.
5. Assemble or reassemble the fixture as required.
6. Recommended mounting heights:
 - NXSMPLMO: Maximum mounting height is 16', minimum 8'
 - NXSMPLHMO: Maximum height - Indoors: 45 ft. / Outdoors: 30 ft., minimum 16'

MOUNTING DETAIL

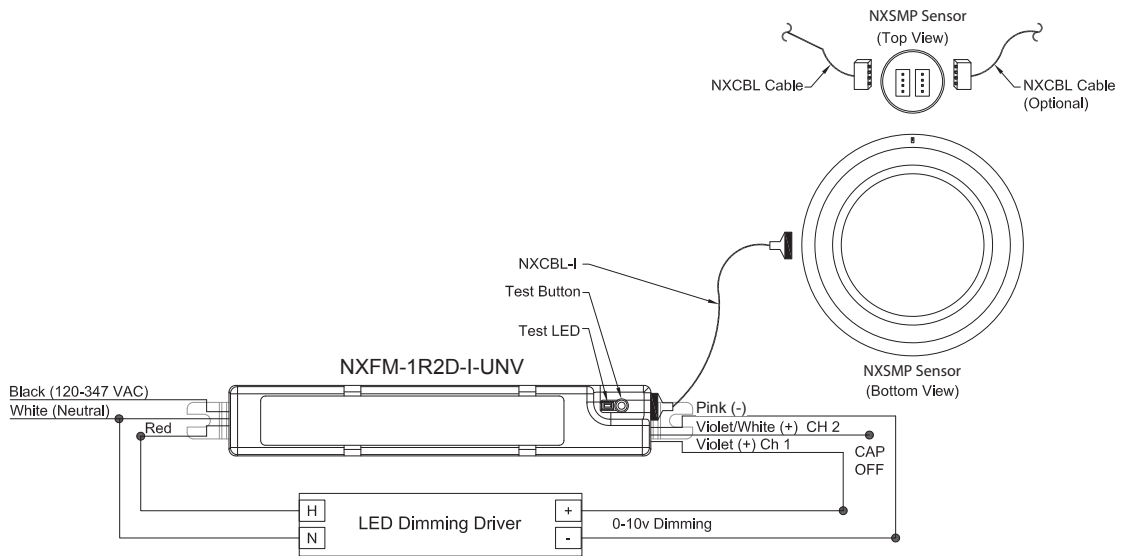


72-00629 Rev F

SETUP AND CALIBRATION

For setup and calibration instructions please visit NX Setup and Calibration Guide on site.

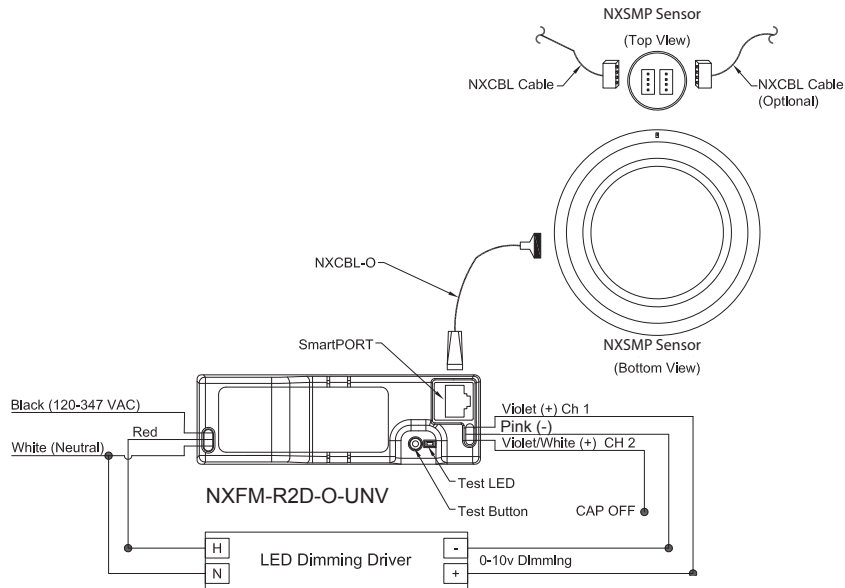
WIRING DIAGRAM



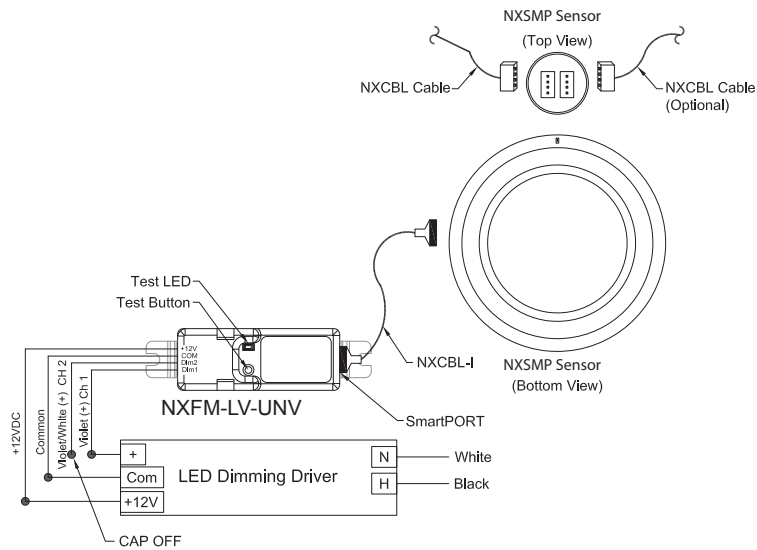
NXSMP Sensor with NXFM-I

Pink wire replace previous gray wire. Unites with a gray instead of pink wire should be wired as the pink wire shown in the diagram.

WIRING DIAGRAM



NXSMP Sensor with NXFM-O



NXSMP Sensor with NXFM-LV

Pink wire replace previous gray wire. Unites with a gray instead of pink wire should be wired as the pink wire shown in the diagram.