

MODEL NUMBERS

NXFSP, NXDSP

PRECAUTIONS

- Read and understand all instructions before beginning installation.
- NOTICE: Do not install if product appears to be damaged.

SAVE THESE INSTRUCTIONS!

DESCRIPTION

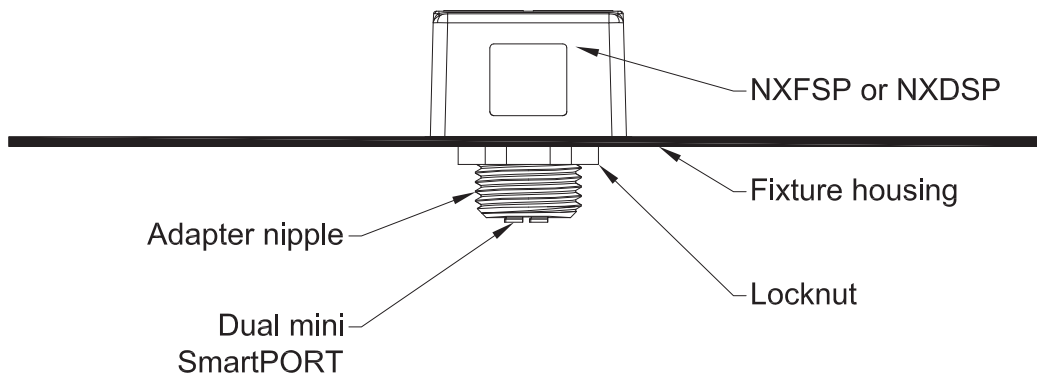
The NXFSP, NXDSP dual SmartPORT adapter provides a means to connect NX control components mounted within a fixture to an external wired network. The adapter provides two miniature SmartPORT ports inside, and two RJ45 ports outside the fixture housing. The NXFSP version is used to connect a fixture to the SmartPORT network when the fixture has more than one device inside of it. For example, a fixture containing an NXFM and an NXSMP smart sensor would use an NXFSP to group the devices within the fixture together. An NXDSP is used when there is only one device, such as a single NXFM within the fixture.

SPECIFICATIONS

Electrical Ratings	12 VDC, Class 2
Control Connection	Low Voltage SmartPORT
Operating Environment	Operating Temperature: -40°F to 185°F [-40°C to 85°C] Relative humidity (non-condensing): 0 to 95%
Construction	Housing: GSM UL Rated 94 HB Plastic
Mounting	Mounts via 1/2" KO with threaded stem and locknut
Dimensions	1.5" L x .8" W x 1.0" H (38.1mm L x 24.38mm W x 24.4mm H)
Weight	2 oz (56.7 g)
Color	NXFSP- Blue, NXDSP- White
Patents	Patent(s) Pending
Certifications	cULus listed, Certification complies with requirements for use with plenum
Warranty	Five-year limited

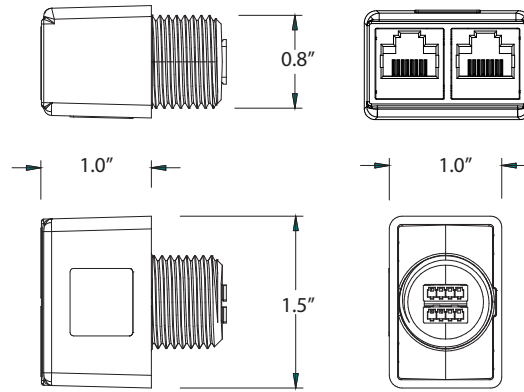
INSTALLATION

1. Insert the NXFSP or NXDSP adapter through a 1/2" KO in the fixture housing.
2. Use the supplied locknut to secure the adapter, taking care not to over-tighten.
3. Plug the miniature SmartPORT connector(s) to the supplied ports within the fixture as appropriate.



72-00624 Rev C

DIMENSIONS



WIRING DIAGRAMS

