

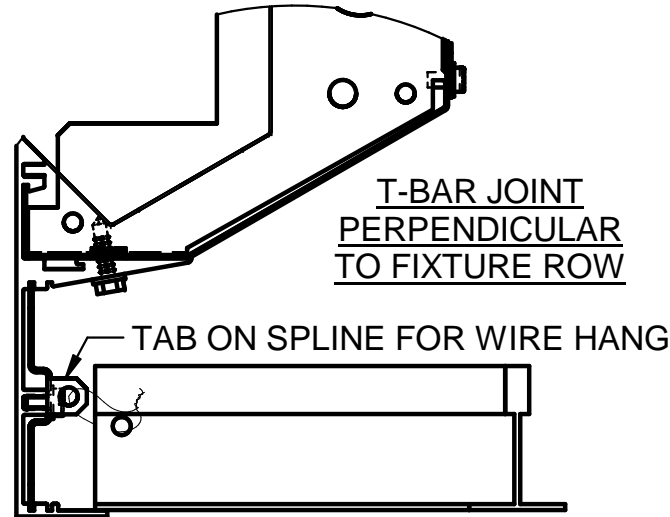
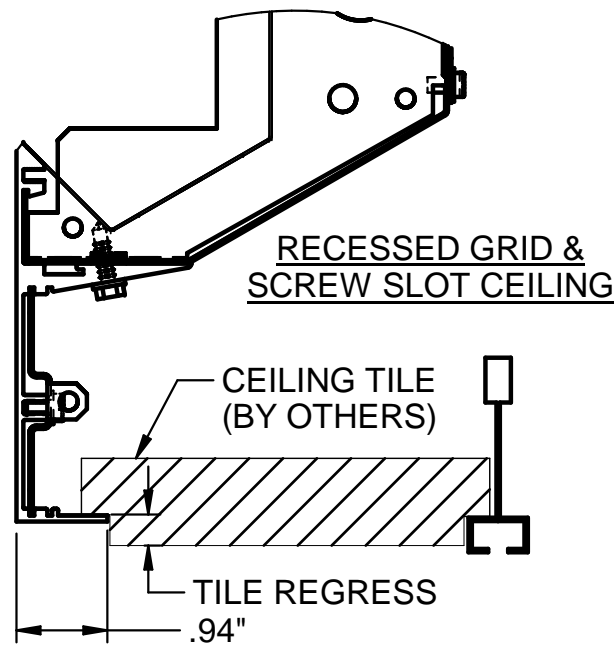
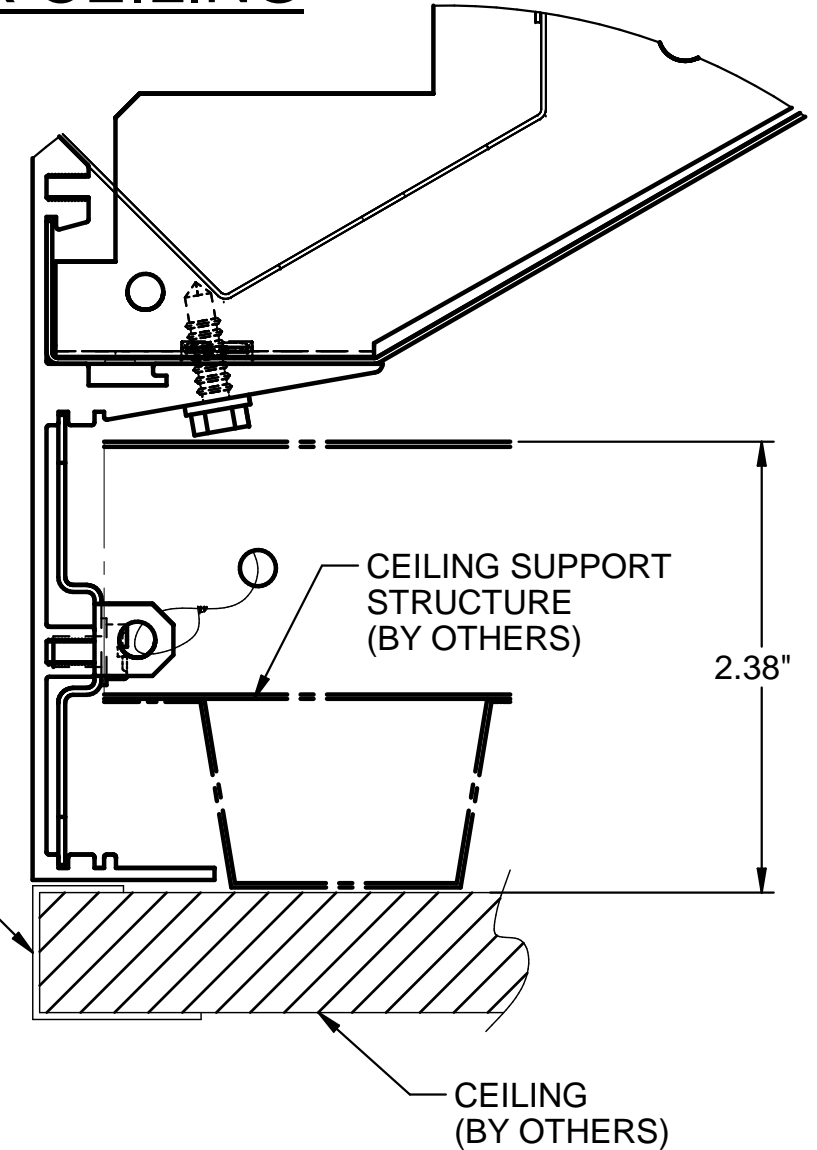
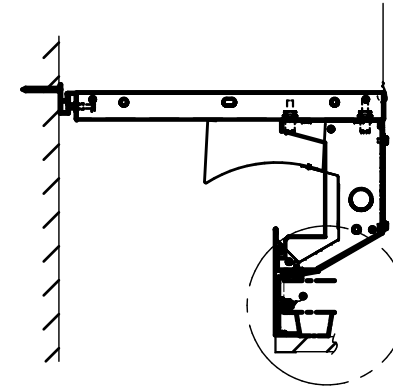
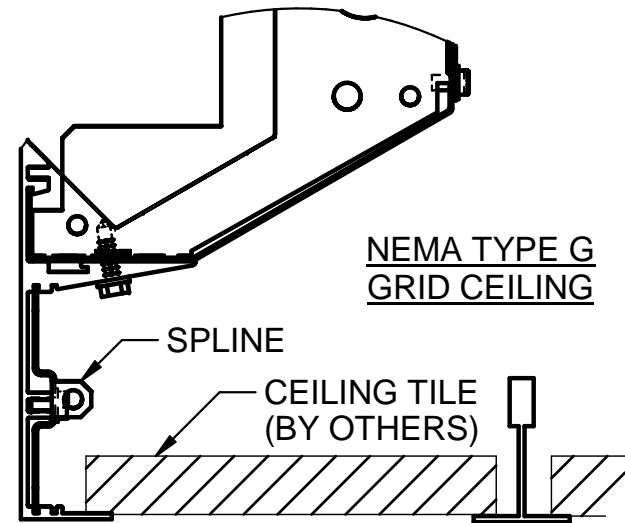
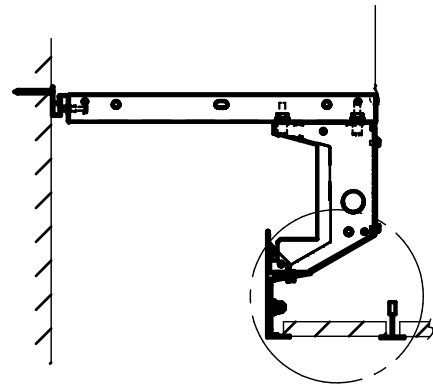
- GENERAL NOTES: (READ SHEETS COMPLETELY BEFORE STARTING)**
1. LEAVE PROTECTIVE WRAPPING MATERIAL ON FIXTURE(S) UNTIL START OF INSTALLATION.
  2. FIXTURE(S) MUST BE INSTALLED PRIOR TO HANGING CEILING.
  3. WALL SURFACE MUST BE FINISHED A MINIMUM OF 11" ABOVE CEILING LINE.
  4. ALL SUPPORT RAILS (SHIPPED SEPARATELY) MUST BE INSTALLED PRIOR TO MOUNTING FIXTURE(S). REFER TO PAGE 3.

TOOLS REQUIRED	SUPPLIED BY INSTALLER
<ul style="list-style-type: none"> <li>- SCREWDRIVER/DRILL</li> <li>- 7/16" NUT DRIVER</li> <li>- CHALK</li> <li>- TAPE MEASURE</li> <li>- METAL CUTTING TOOL (SAW-TYPE)</li> </ul>	<ul style="list-style-type: none"> <li>- GUY WIRES</li> <li>- DRYWALL SCREWS</li> <li>- SHIMS (IF NECESSARY)</li> <li>- ELECTRICAL CONDUIT</li> </ul>

CEILING DETAILS

GRID CEILING

DRYWALL/PLASTER CEILING



CEILING TYPE PROCEDURE:

1. IN ORDER, FOLLOW INSTRUCTIONS ON PAGES 3-11, WHERE APPLICABLE.
2. INSTALL GRID (T-BAR) CEILING MEMBERS.
3. WHERE SPLINES OCCUR AT ROW JOINTS, ATTACH T-BAR TO TAB ON SPLINE USING HANGER WIRE.
4. INSTALL CEILING TILES.

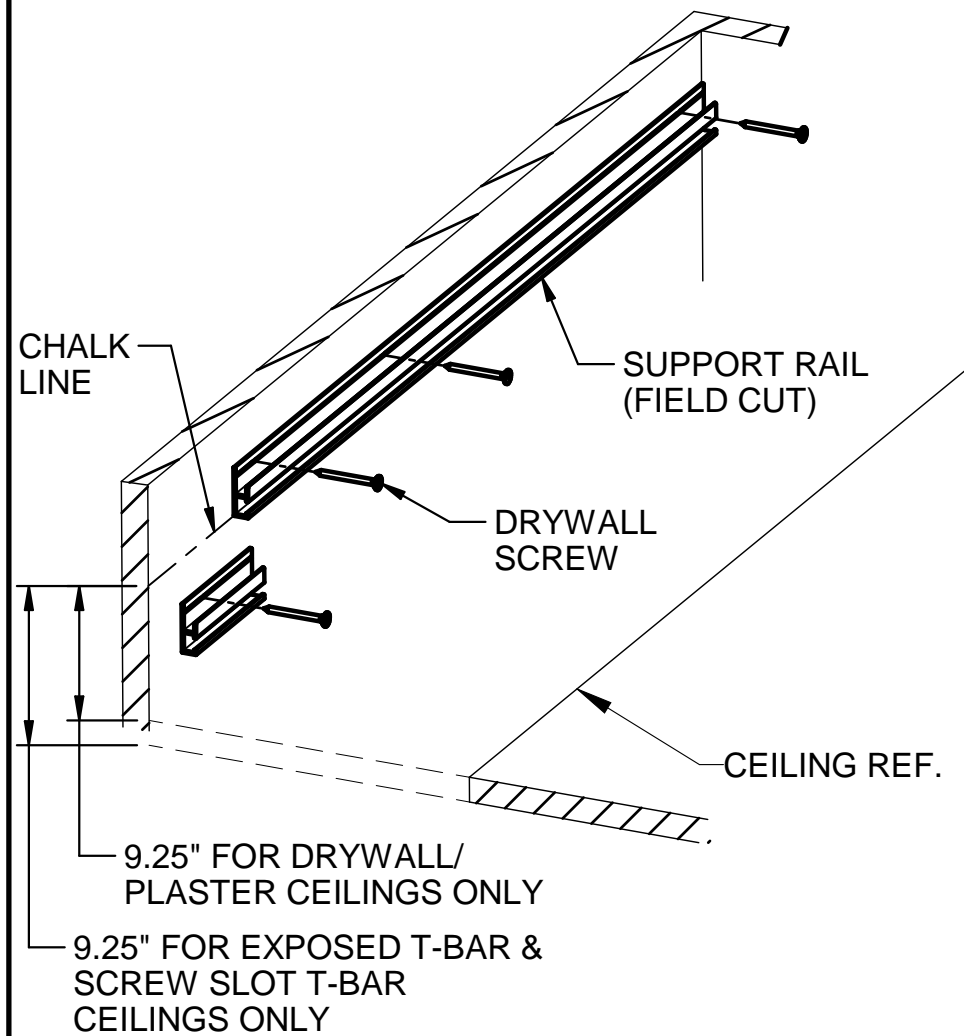
CEILING TYPE PROCEDURE:

1. IN ORDER, FOLLOW INSTRUCTIONS ON PAGES 3-11, WHERE APPLICABLE.
2. INSTALL CEILING. FRAME CEILING USING J-ANGLE TO FINISH EDGE.
3. FINISH CEILING.

**SUPPORT RAIL INSTALLATION**

1

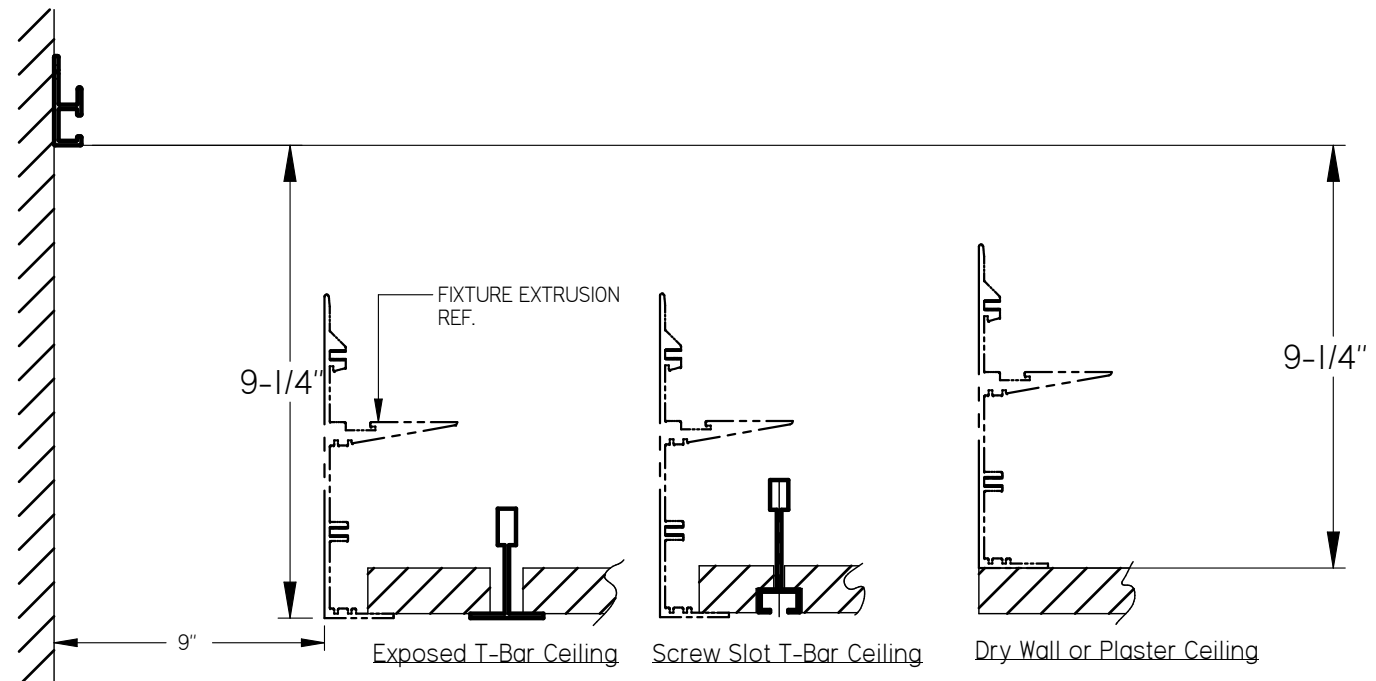
SUPPORT RAILS ARE SHIPPED IN 96" LENGTHS. SAWCUT TO SUIT FIELD CONDITIONS PRIOR TO MOUNTING.



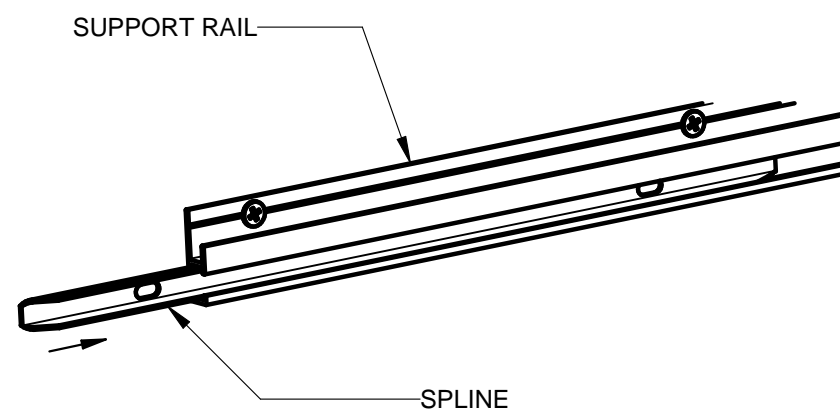
MARK LEVEL CHALK LINE AT 9.25" ABOVE CEILING ALONG FULL LENGTH OF WALL. NOTE THAT POINT OF REFERENCE DIFFERS BASED ON CEILING TYPE; SEE ILLUSTRATION ABOVE.

POSITION BOTTOM EDGE OF SUPPORT RAIL ON CHALK LINE. FASTEN SUPPORT RAIL TO WALL USING DRYWALL SCREWS.

2



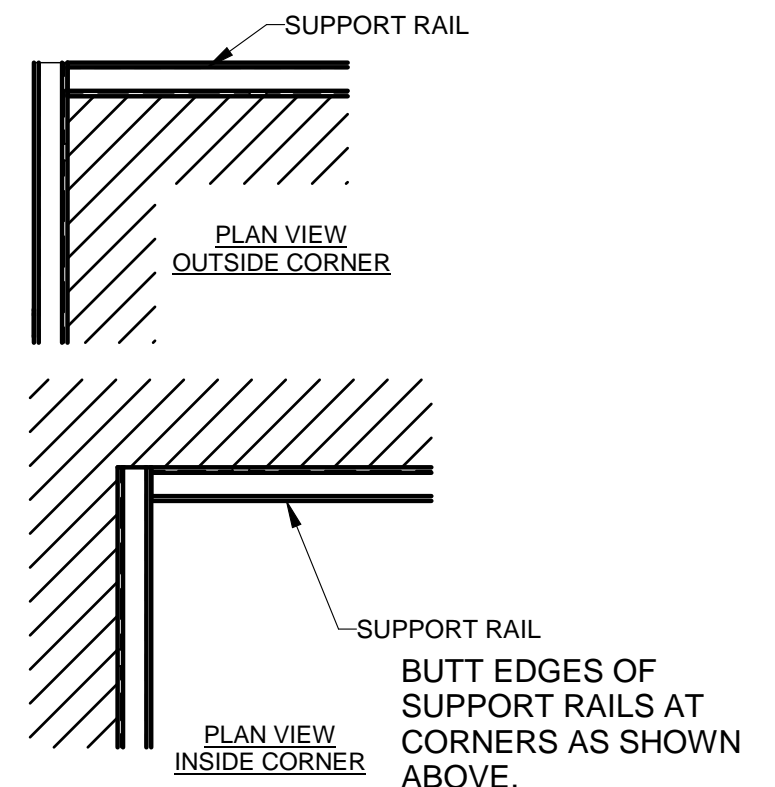
3



INSERT SPLINE KEYS BETWEEN ADJACENT SUPPORT RAILS AS EACH LENGTH IS ADDED. SPLINE KEYS ARE SHIPPED INSTALLED IN RAIL.

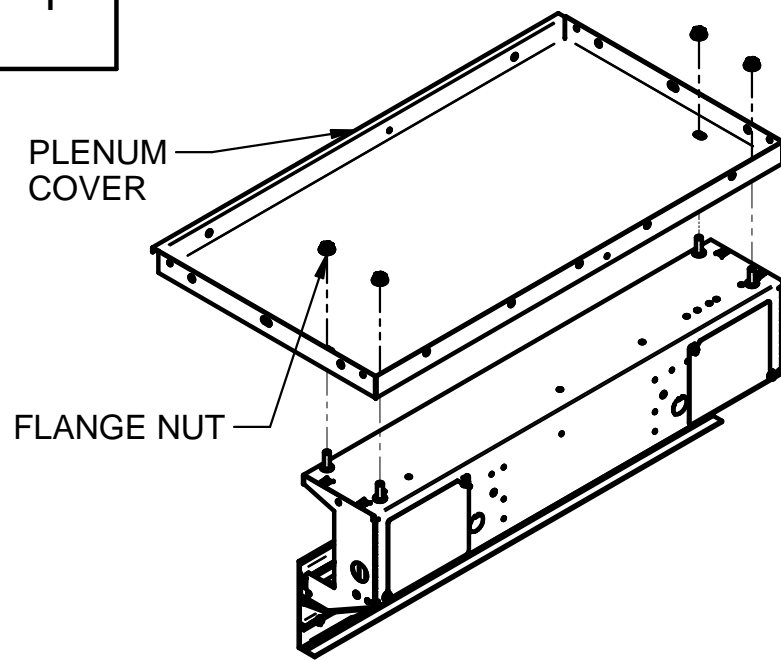
IF NECESSARY, SHIM BEHIND SUPPORT RAILS TO FORM A CONTINUOUS STRAIGHT RAIL.

4



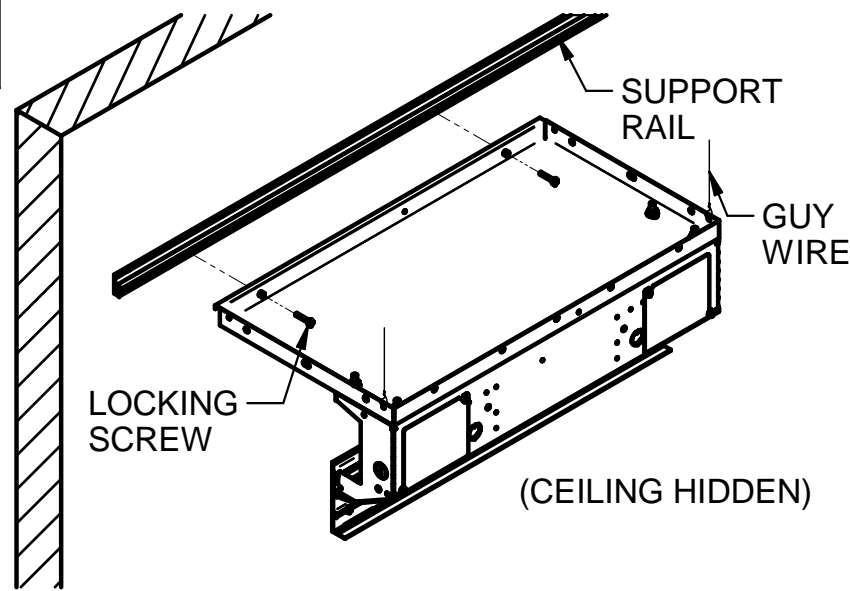
BUTT EDGES OF SUPPORT RAILS AT CORNERS AS SHOWN ABOVE.

1



MOUNT FIXTURE(S) TO EQUAL LENGTH PLENUM COVER USING (4) FLANGE NUTS (FOUND IN POLYBAG).

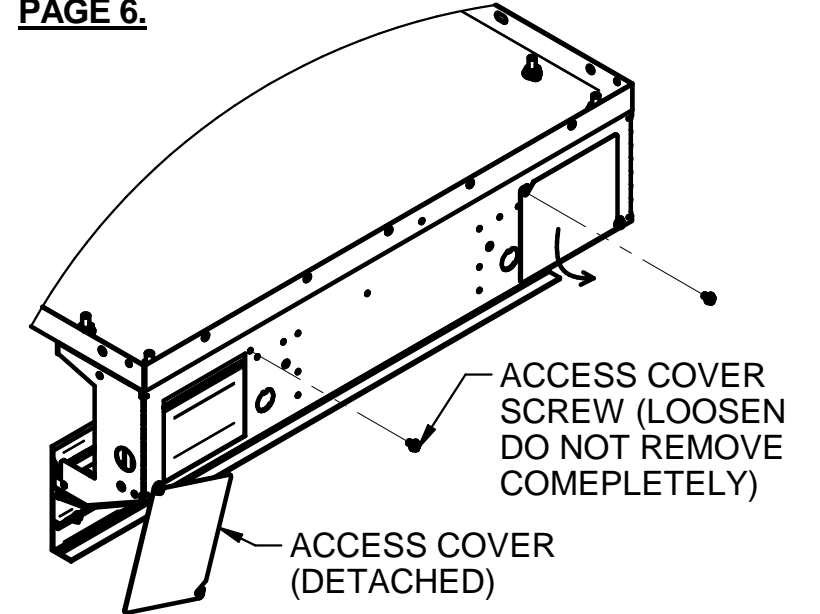
2



LIFT FIXTURE(S) ONTO SUPPORT RAIL. ATTACH GUY WIRES FROM OVERHEAD CEILING STRUCTURE AND LEVEL. INSERT LOCKING SCREWS AS SHOWN TO SECURE FIXTURE TO SUPPORT RAIL. SEE PAGE 5 FOR WIRE FEED INSTRUCTIONS BEFORE PROCEEDING.

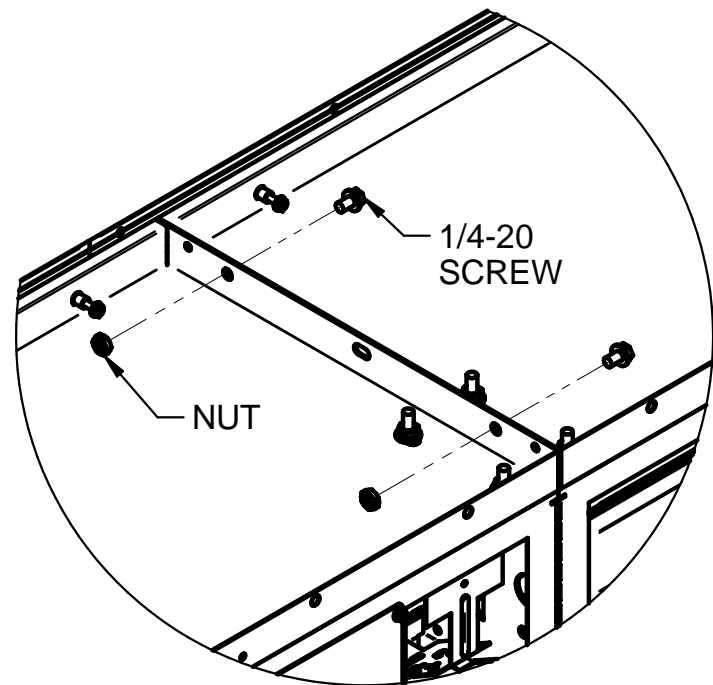
3

**IF INSTALLING INDIVIDUAL FIXTURE, SKIP TO PAGE 6.**



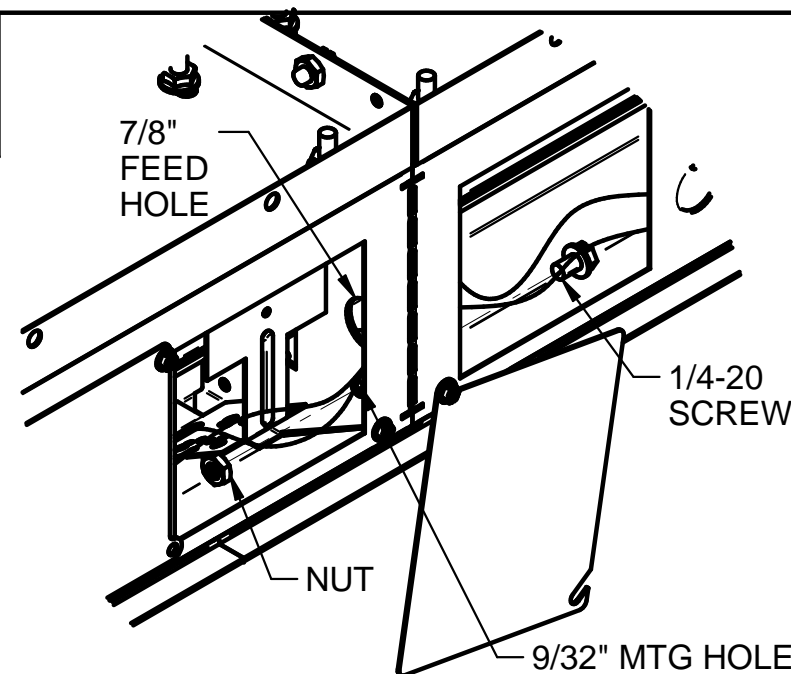
LOOSEN ACCESS COVER SCREWS AT EACH END OF FIXTURE. ROTATE COVER DOWNWARD, AS SHOWN, TO EXPOSE HOUSING INTERIOR FOR STEP 5. REPEAT FOR EACH FIXTURE IN ROW.

4



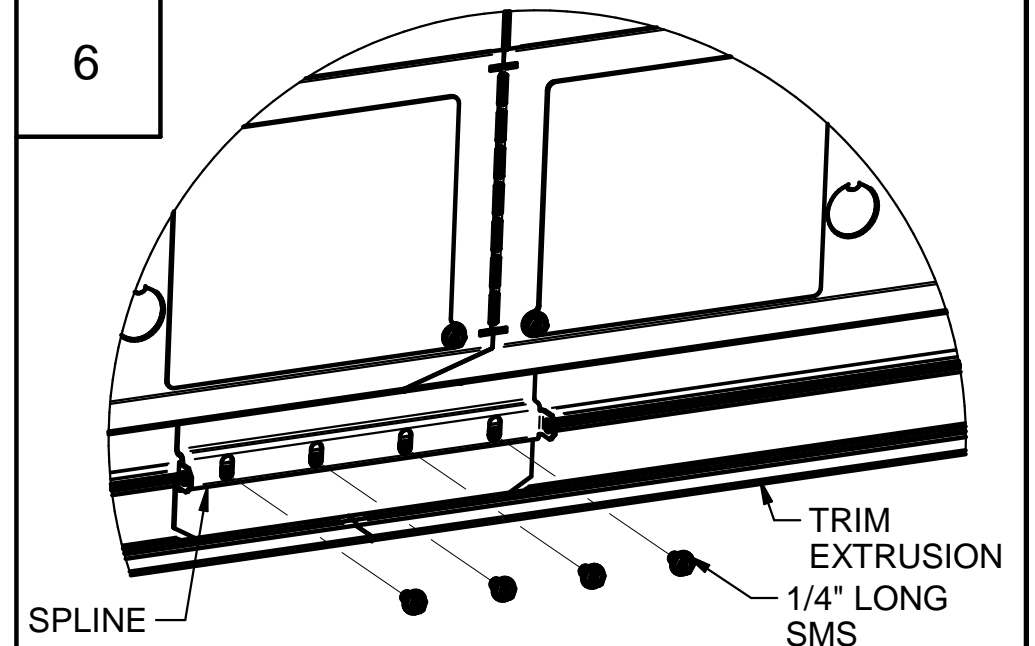
ATTACH PLENUM COVERS TOGETHER AT JOINT USING (2) 1/4-20 SCREWS AND NUTS (FOUND IN POLYBAG) AS SHOWN. REPEAT AT EACH JOINT.

5



JOIN ADJACENT FIXTURE HOUSINGS BY ATTACHING (1) 1/4-20 SCREW AND NUT THROUGH 9/32" MOUNTING HOLES IN END HEADERS. ROUTE WIRING BETWEEN FIXTURES VIA 7/8" HOLE IN END HEADERS. REPEAT AT EACH JOINT. REPLACE ACCESS COVERS.

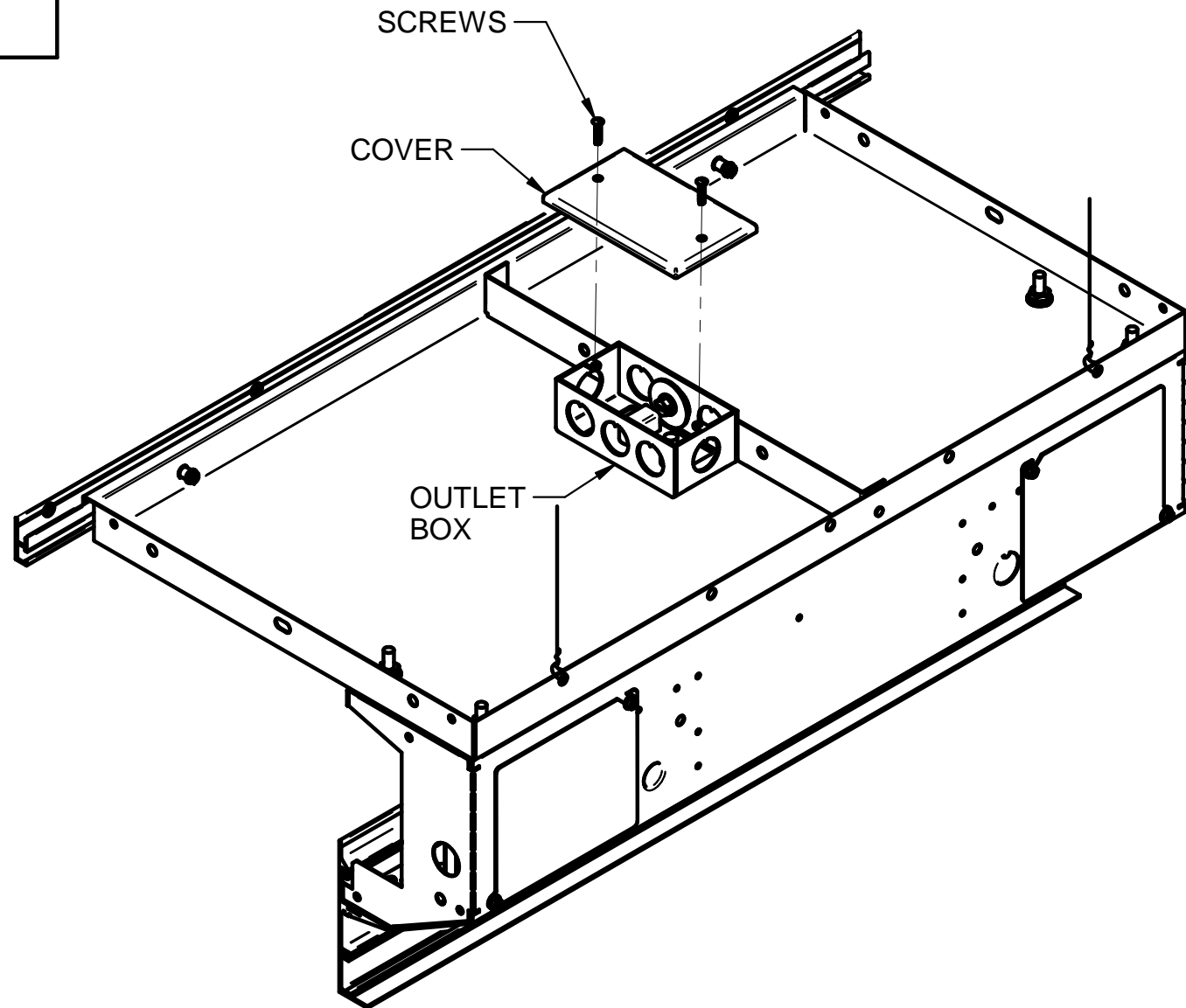
6



ALIGN TRIM EXTRUSIONS AT JOINT(S) USING SPLINE (SHIPPED IN TRIM). SLIDE SPLINE FROM ONE EXTRUSION INTO EXTRUSION OF ADJACENT FIXTURE. CENTER SPLINE OVER JOINT; ENSURE TRIMS BUTT AGAINST EACH OTHER. FASTEN USING (4) 1/4" LONG SHEET METAL SCREWS.

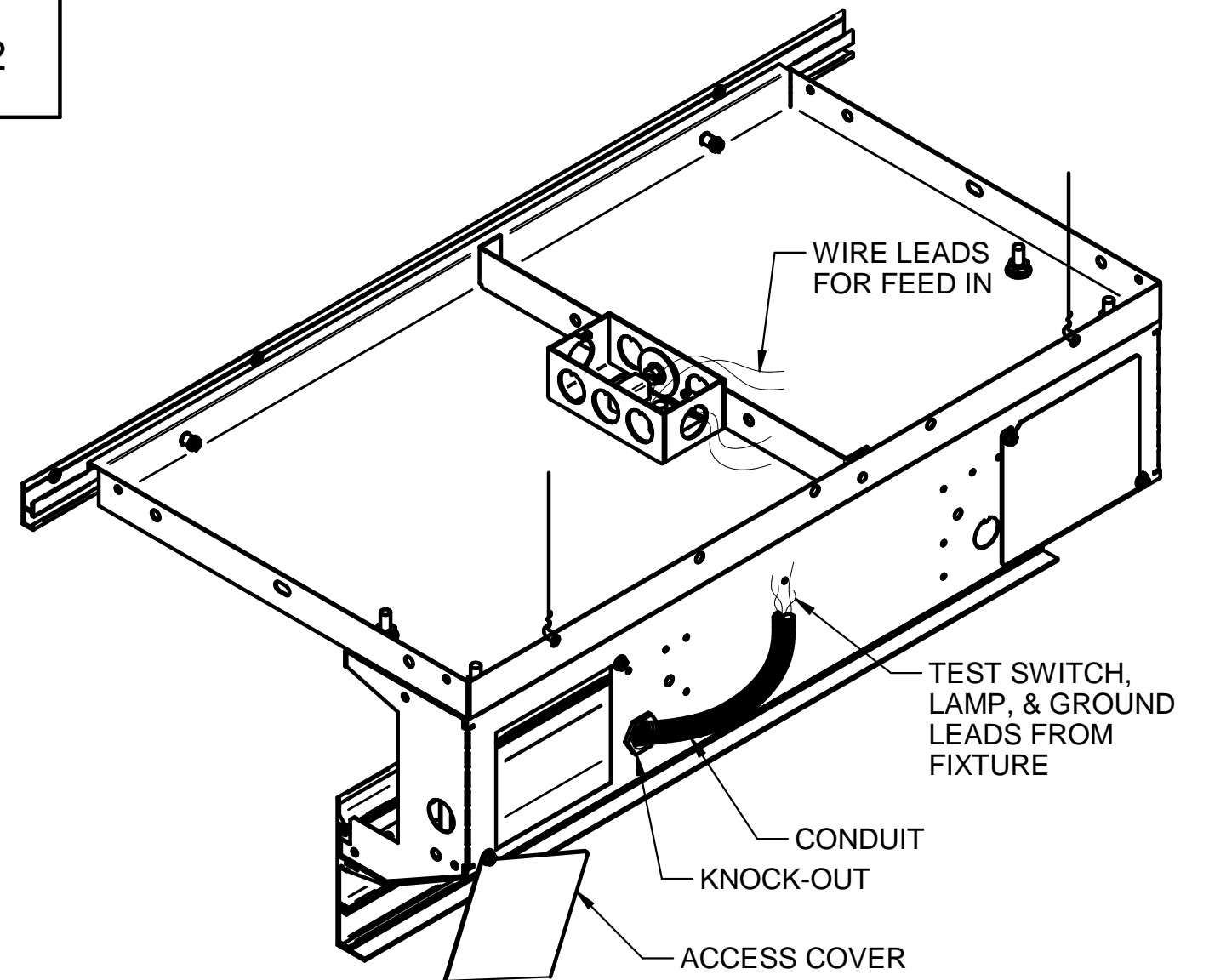
# BATTERY PACK INSTALLATION

1



REMOVE COVER OF OUTLET BOX ON TOP SURFACE OF PLENUM COVER BY REMOVING (2) SCREWS AS SHOWN.

2



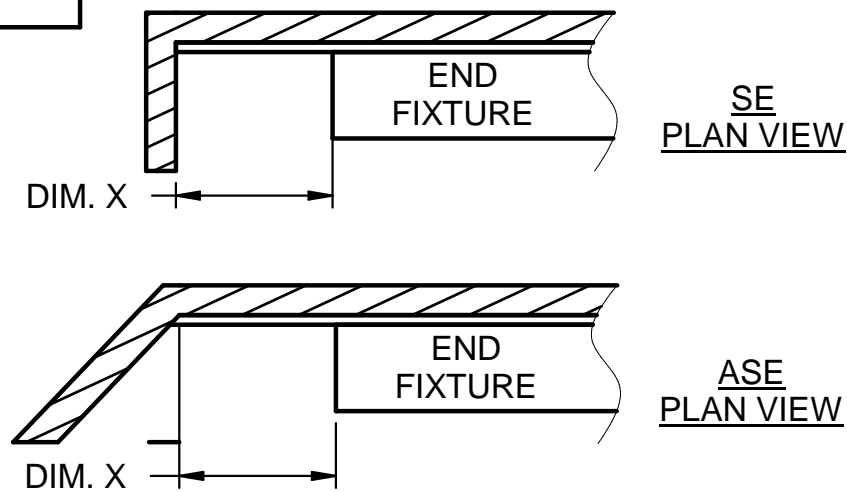
REMOVE (1) 7/8" KNOCK-OUT IN BACK OF HOUSING AT LOCATION CLOSEST TO OUTLET BOX.

ATTACH FLEXIBLE CONDUIT (PROVIDED BY OTHERS) FROM KNOCK-OUT TO OUTLET BOX. ROUTE LABELED WIRES FROM FIXTURE INTO OUTLET BOX VIA CONDUIT. MAKE WIRING CONNECTIONS PER SCHEMATIC SHOWN IN EF PACK MANUFACTURER'S INSTRUCTIONS (SHIPPED WITH FIXTURE). GROUND HANDY BOX USING LEAD FROM FIXTURE PER CODE. IF NECESSARY, LOOSEN ACCESS COVER PER PAGE 4, STEP 3.

REPLACE OUTLET BOX COVER AFTER CONNECTIONS ARE MADE AND RESUME FIXTURE INSTALLATION (PAGE 4).

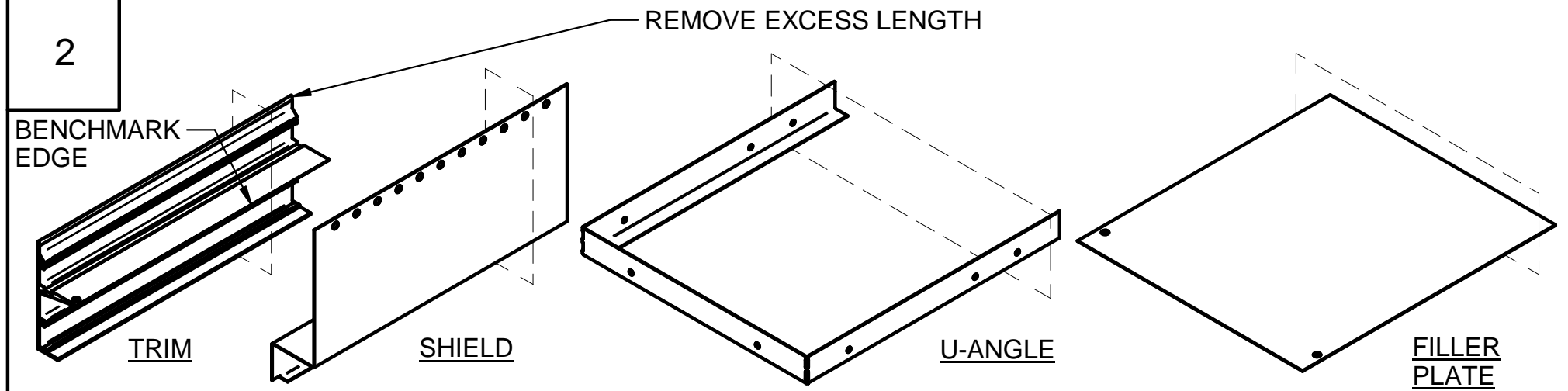
# STRAIGHT EXTENSION SYSTEM CONNECTOR INSTALLATION

1



MEASURE CEILING OPENING SIZE, SHOWN ABOVE AS DIM. X.

2

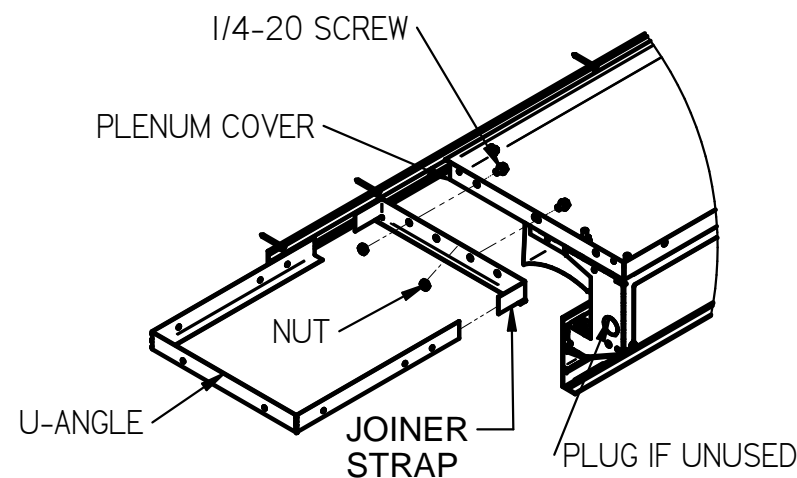


**FOR SE:** CUT SHIELD AND CEILING TRIM (SHIPPED IN STRAIGHT EXTENSION KIT) TO DIM. X. CUT ENDS OF U-ANGLE AND FILLER PLATE TO DIM. X MINUS .125".

**FOR ASE:** CUT ENDS OF SHIELD, U-ANGLE, AND FILLER PLATE TO DIM. X PLUS 9.25". CUT CEILING TRIM TO DIM. X PLUS 10.75"; CUT FROM NON-MITRED END ONLY.

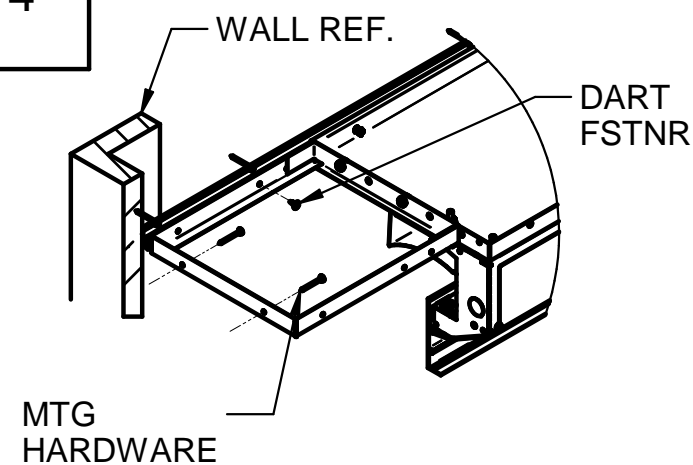
IF INSTALLING END CAP TO STRAIGHT EXTENSION, SEE PAGE 11 BEFORE PROCEEDING.

3



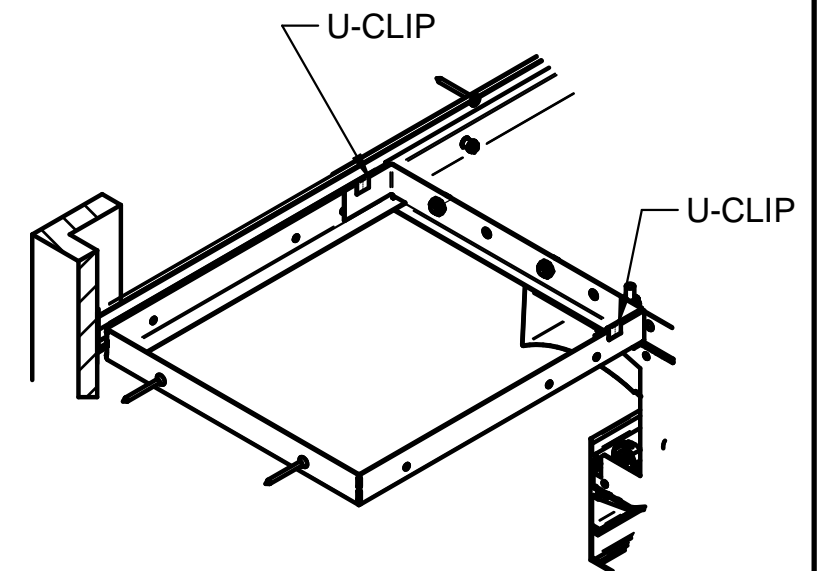
SLIDE JOINER STRAP INTO OPEN END OF U-ANGLE AND LIFT INTO CEILING OPENING. SECURE JOINER STRAP TO PLENUM COVER USING (2) 1/4-20 X 3/8" LONG SCREWS AND HEX NUTS. IF UNUSED (FOR WIRE FEED), PLUG 7/8" HOLE ON HOUSING END HEADER.

4



LEVEL U-ANGLE AND NAIL/SCREW TO WALL SURFACE USING MOUNTING HARDWARE (PROVIDED BY OTHERS). ALSO INSERT DART FASTENER THROUGH U-ANGLE SIDE AND INTO SUPPORT RAIL.

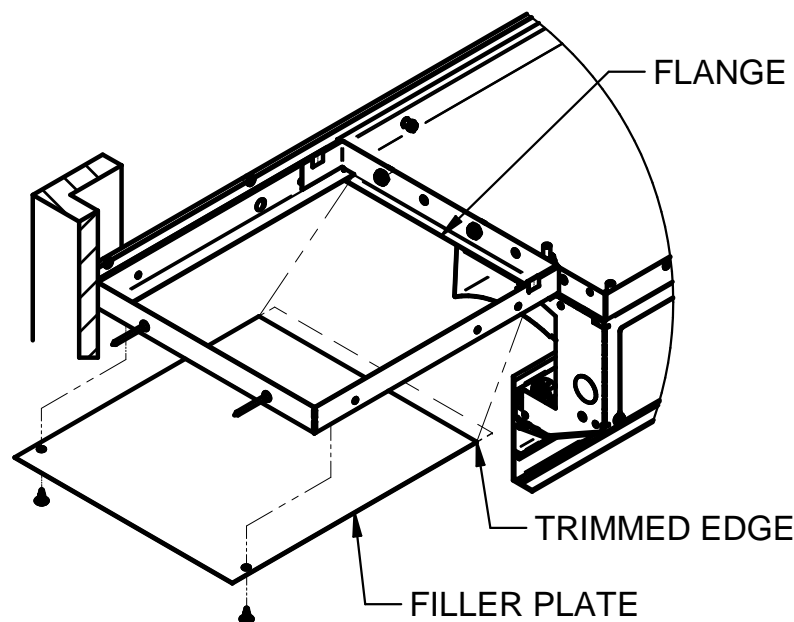
5



PRESS U-CLIPS OVER JOINER STRAP AND ENDS OF U-ANGLE.

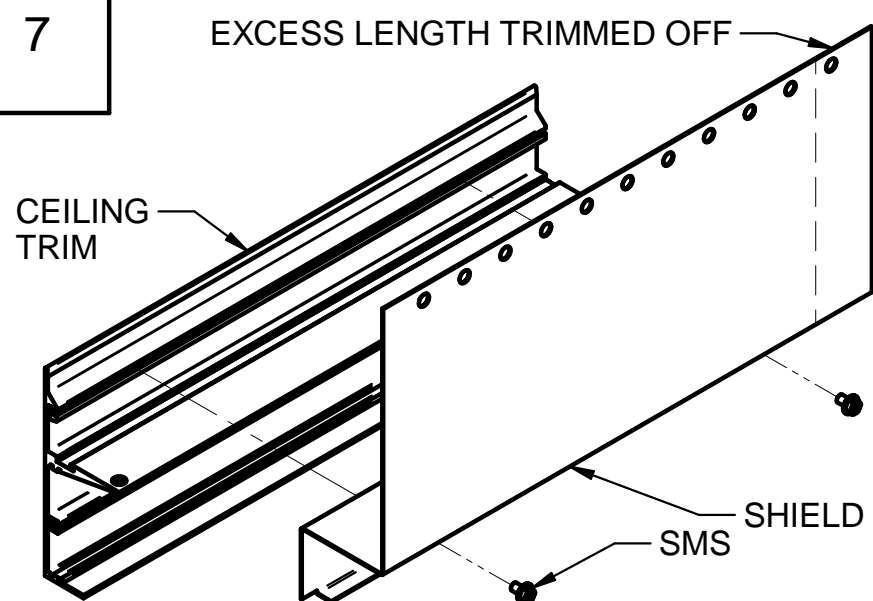
# STRAIGHT EXTENSION SYSTEM CONNECTOR INSTALLATION

6



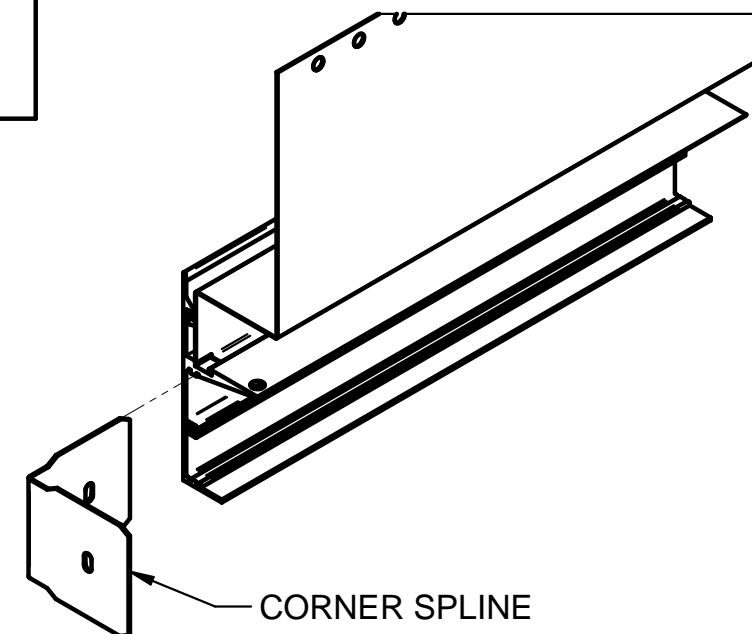
TUCK TRIMMED EDGE OF FILLER PLATE INTO BOTTOM FLANGE OF JOINER STRAP. SECURE TO BOTTOM OF U-ANGLE USING NYLON DART FASTENERS.

7



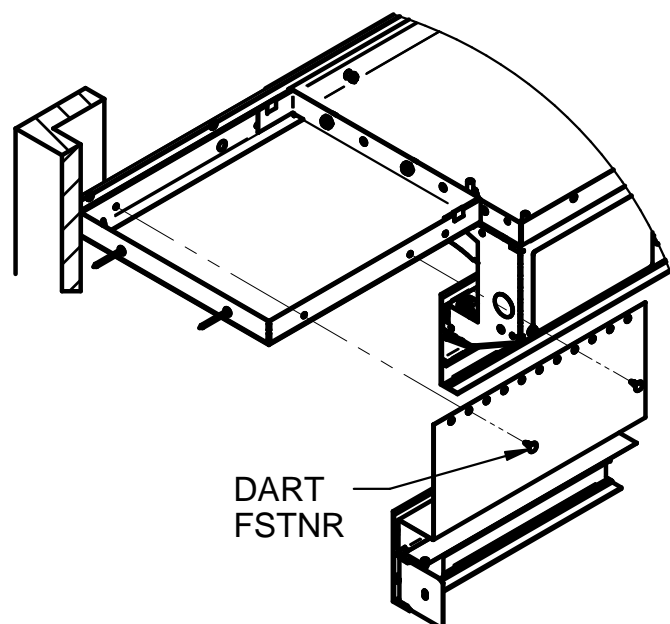
SLIDE SHIELD INTO CEILING TRIM GROOVE (IN BLUE), WITH TRIMMED SIDE CLOSER TO FIXTURE. ALIGN EDGE OF SHIELD WITH END OF TRIM AND SECURE USING (2 MIN.) 1/4" LONG SHEET METAL SCREWS.

8



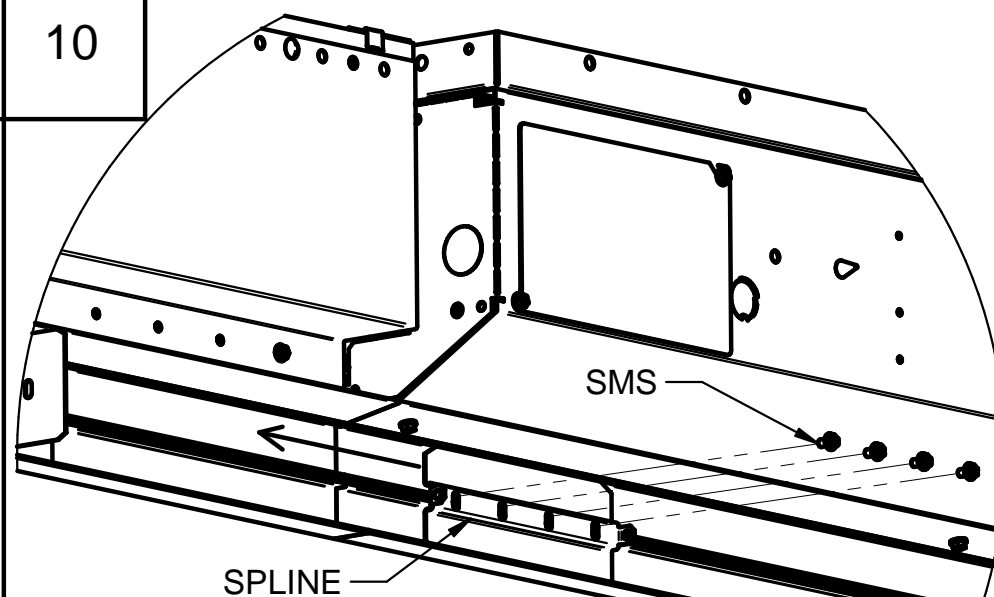
SLIDE CORNER SPLINE INTO END OF CEILING TRIM. DO NOT FASTEN AT THIS TIME.

9



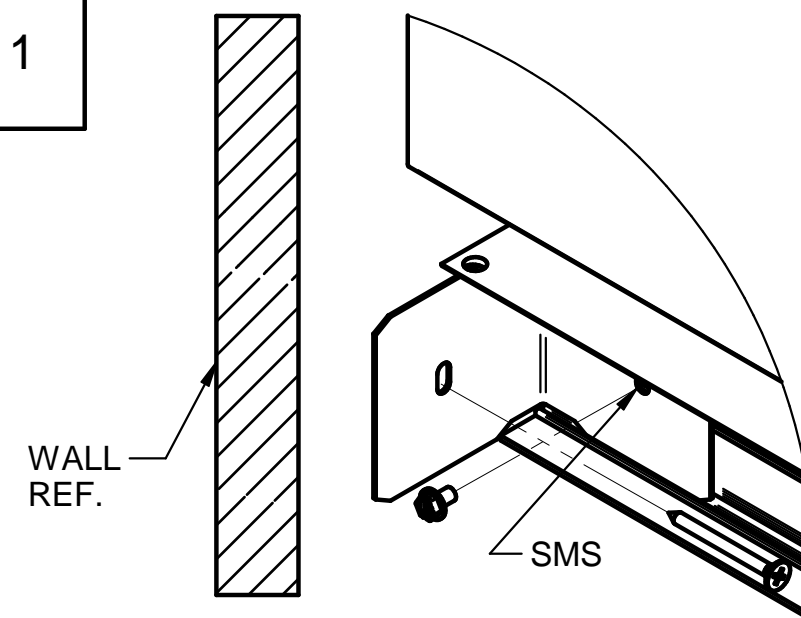
LIFT SHIELD/TRIM ASSEMBLY INTO CEILING OPENING, ABUTTING THE END FIXTURE. ATTACH SHIELD TO U-ANGLE USING (2) NYLON DART FASTENERS.

10



SLIDE FIXTURE SPLINE INTO STRAIGHT EXTENSION TRIM, POSITIONING CENTRALLY OVER JOINT. SECURE WITH (4) 1/4" LONG SHEET METAL SCREWS.

11

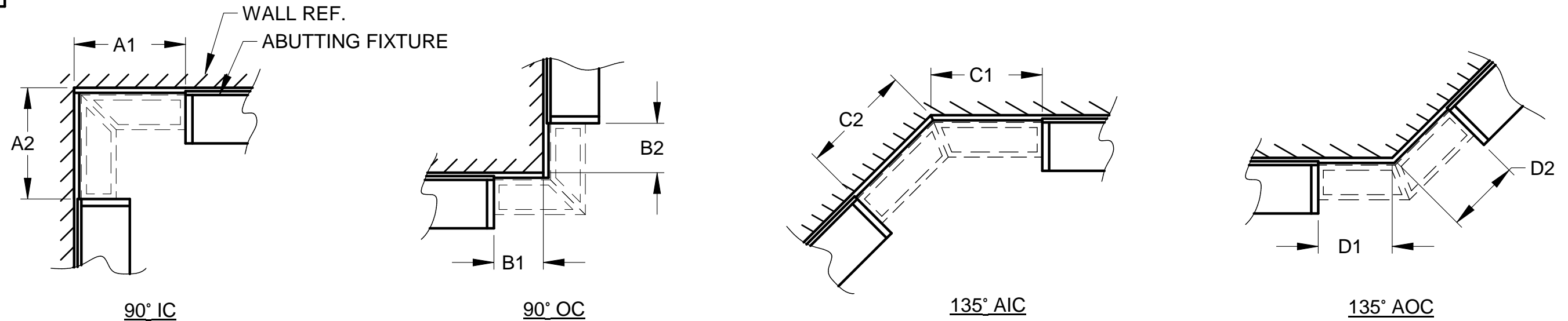


POSITION CORNER SPLINE UP AGAINST WALL AND NAIL/SCREW INTO POSITION. FASTEN CORNER SPLINE TO CEILING TRIM USING SHEET METAL SCREW.

# CORNER EXTENSION SYSTEM CONNECTOR INSTALLATION

1

MEASURE CEILING OPENING SIZES, REFERRING TO PLAN VIEWS BELOW.



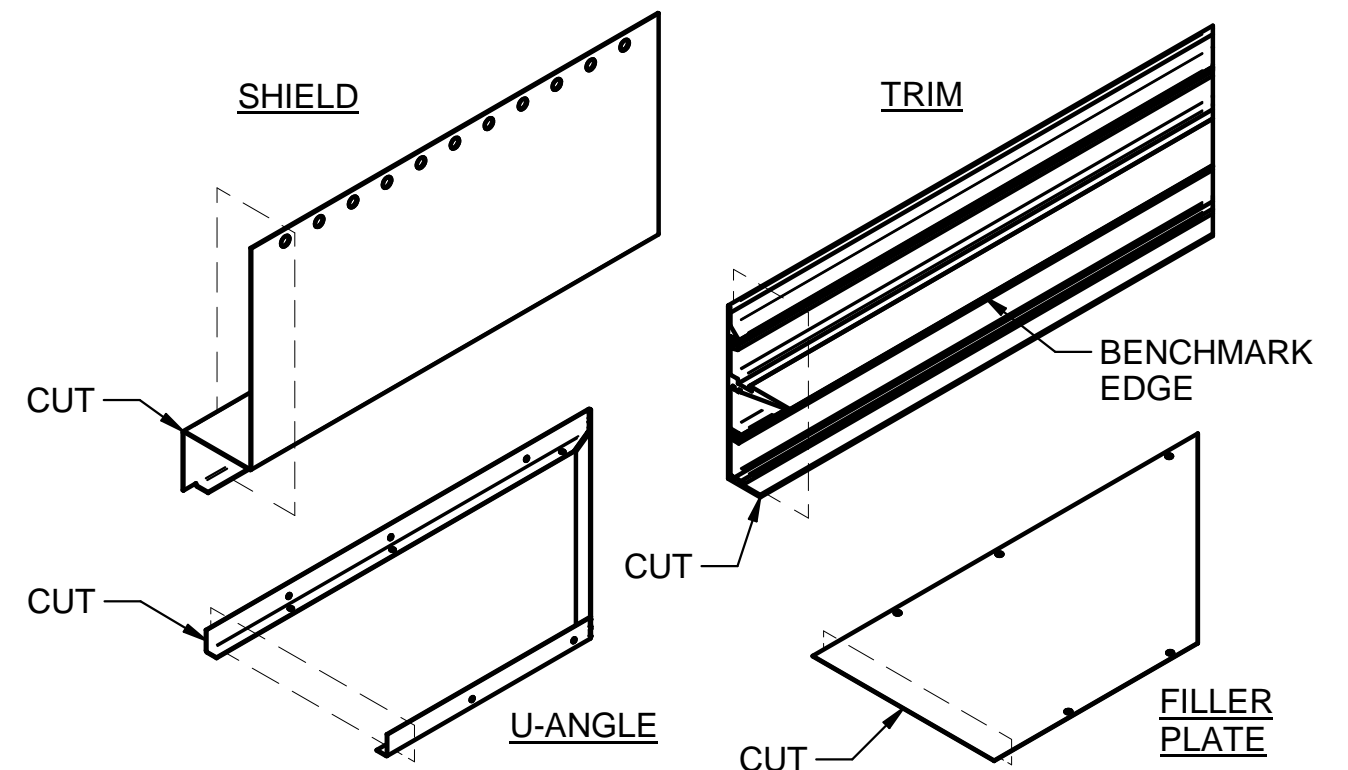
2

**FOR 90° IC:**  
 CUT SHIELD TO DIM. A1/A2 MINUS 11.30".  
 CUT CEILING TRIM TO DIM. A1/A2 MINUS 10.75". CUT NON-MITRED END ONLY.  
 CUT U-ANGLE AND FILLER PLATE TO DIM. A1/A2 MINUS .75", MEASURING LONGEST SIDE.

**FOR 90° OC:**  
 CUT SHIELD TO DIM. B1/B2 PLUS 9.30".  
 CUT CEILING TRIM TO DIM. B1/B2 PLUS 10.75". CUT NON-MITRED END ONLY.  
 CUT U-ANGLE AND FILLER PLATE TO DIM. B1/B2 PLUS 11.20", MEASURING LONGEST SIDE.

**FOR 135° AIC:**  
 CUT SHIELD TO DIM. C1/C2 MINUS 4.70".  
 CUT CEILING TRIM TO DIM. C1/C2 MINUS 4.45". CUT NON-MITRED END ONLY.  
 CUT U-ANGLE AND FILLER PLATE TO DIM. C1/C2 MINUS .38", MEASURING LONGEST SIDE.

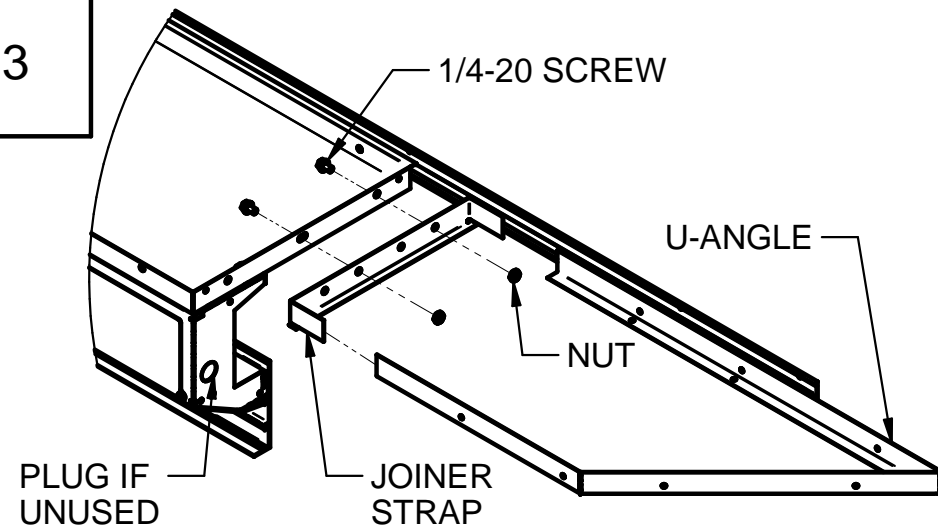
**FOR 135° AOC:**  
 CUT SHIELD TO DIM. D1/D2 PLUS 3.90".  
 CUT CEILING TRIM TO DIM. D1/D2 PLUS 4.45". CUT NON-MITRED END ONLY.  
 CUT U-ANGLE AND FILLER PLATE TO DIM. D1/D2 PLUS 4.58", MEASURING LONGEST SIDE.





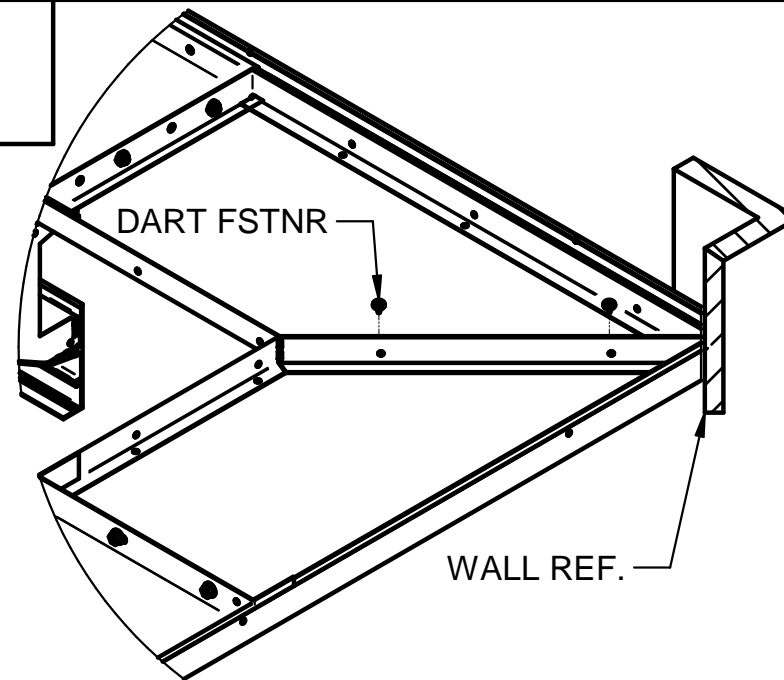
# CORNER EXTENSION SYSTEM CONNECTOR INSTALLATION

3



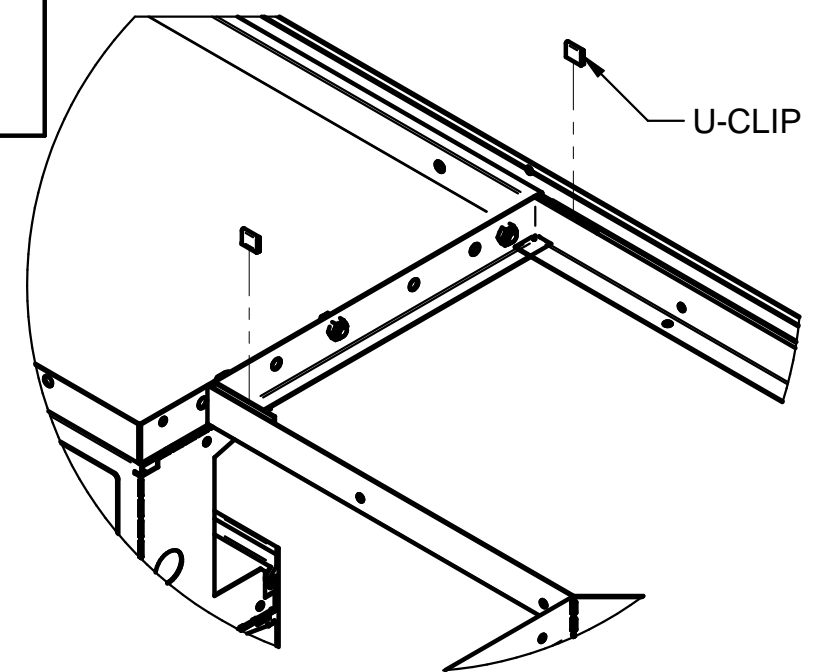
SLIDE JOINER STRAP INTO EACH U-ANGLE AND LIFT INTO CEILING OPENING. SECURE JOINER STRAP TO PLENUM COVER USING (2) 1/4-20 X 3/8" LONG SCREWS AND HEX NUTS. IF UNUSED (FOR WIRE FEED), PLUG 7/8" HOLE ON HOUSING END HEADER.

4



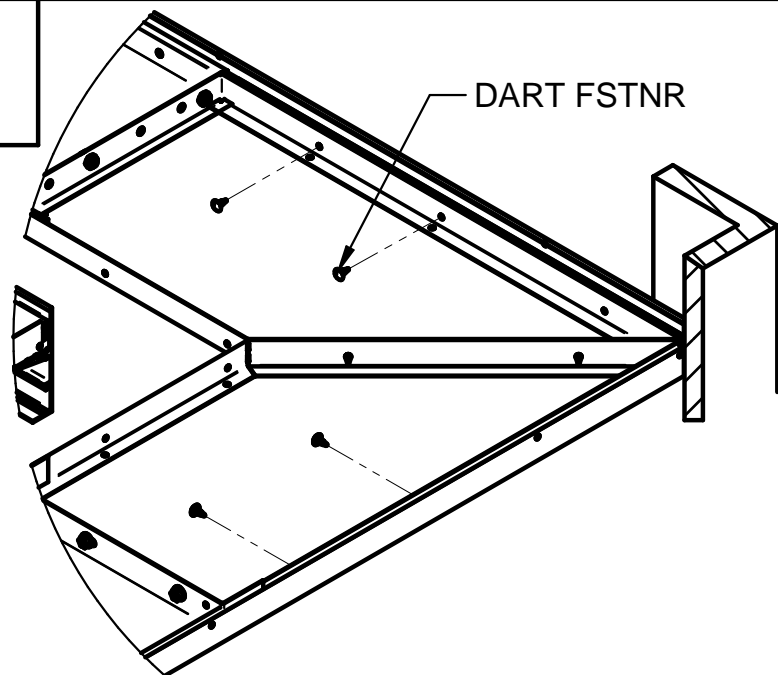
AT JOINT, ATTACH U-ANGLES TOGETHER USING (2) NYLON DART FASTENERS.

5



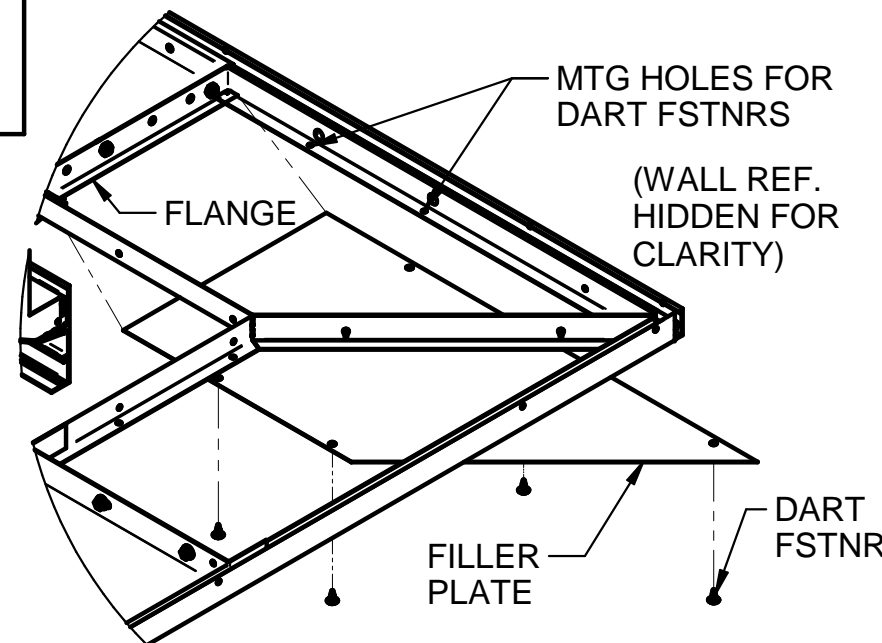
PRESS U-CLIPS OVER JOINER STRAP AND ENDS OF U-ANGLE.

6



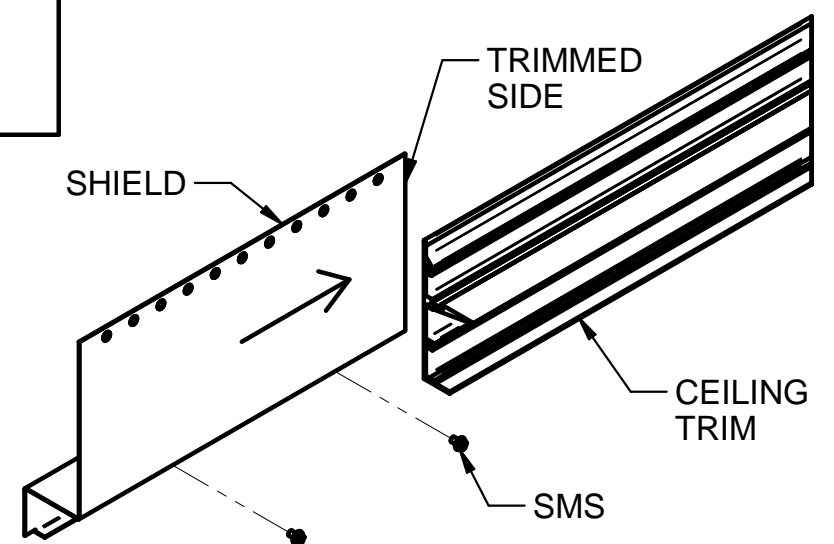
INSERT (2) DART FASTENER THROUGH SIDE OF EACH U-ANGLE AND INTO SUPPORT RAIL.

7



TUCK TRIMMED EDGE OF EACH FILLER PLATE INTO BOTTOM FLANGE OF JOINER STRAP. SECURE TO BOTTOM OF U-ANGLE USING NYLON DART FASTENERS.

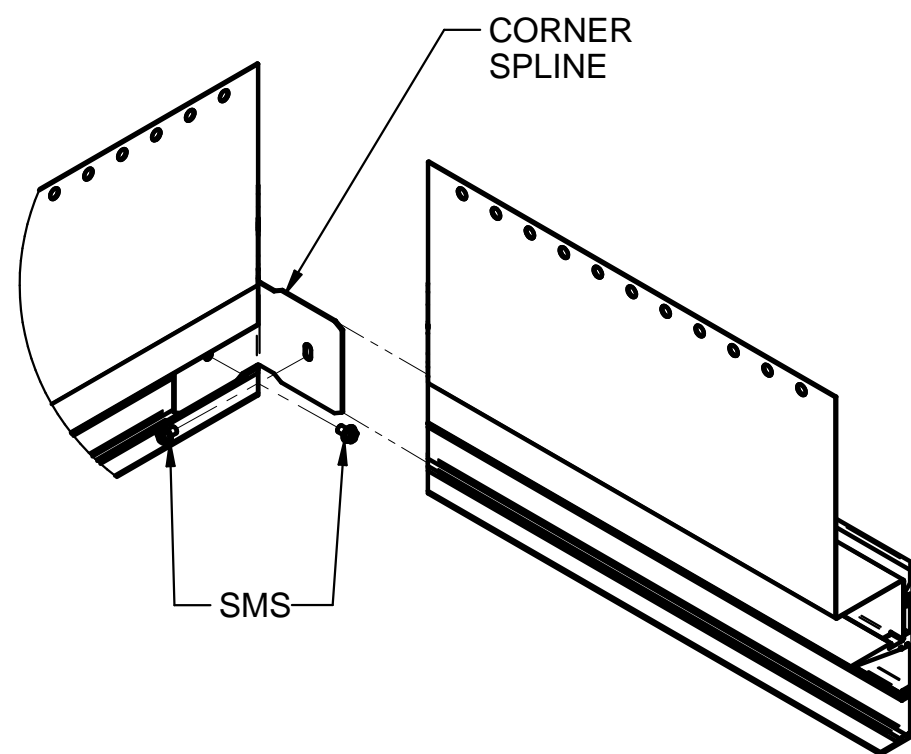
8



SLIDE EACH SHIELD INTO GROOVE (IN BLUE) OF CORRESPONDING CEILING TRIM, WITH TRIMMED END CLOSER TO CORNER. ALIGN EDGE OF SHIELD WITH END OF TRIM AND SECURE USING (2 MIN.) 1/4" LONG SHEET METAL SCREWS.

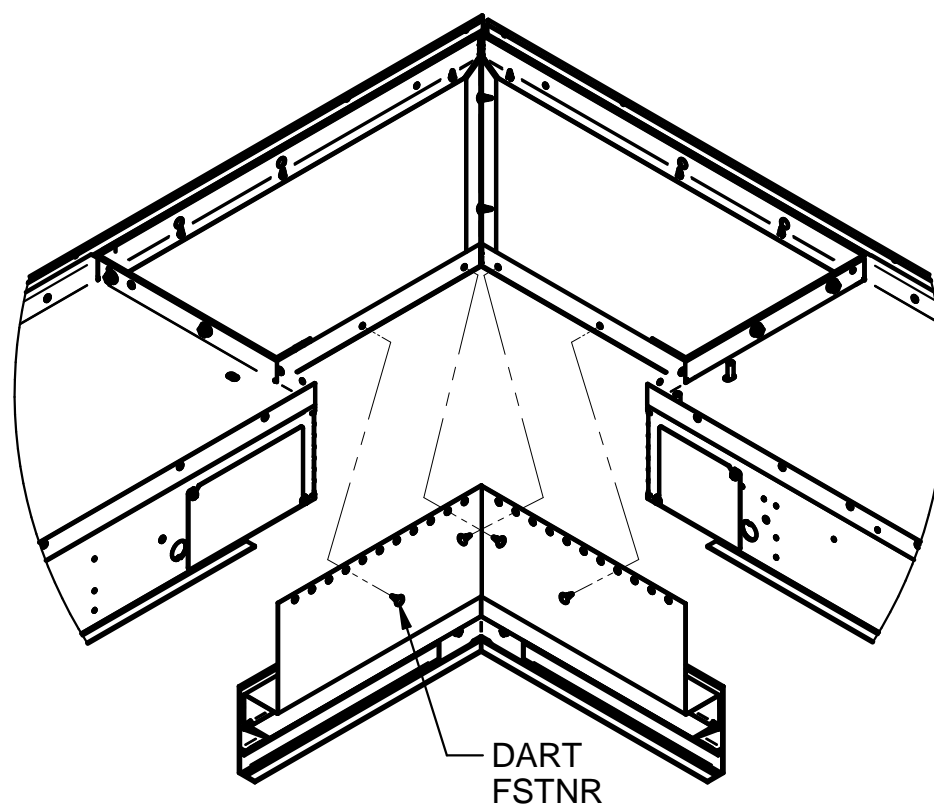
CORNER EXTENSION SYSTEM CONNECTOR INSTALLATION

9



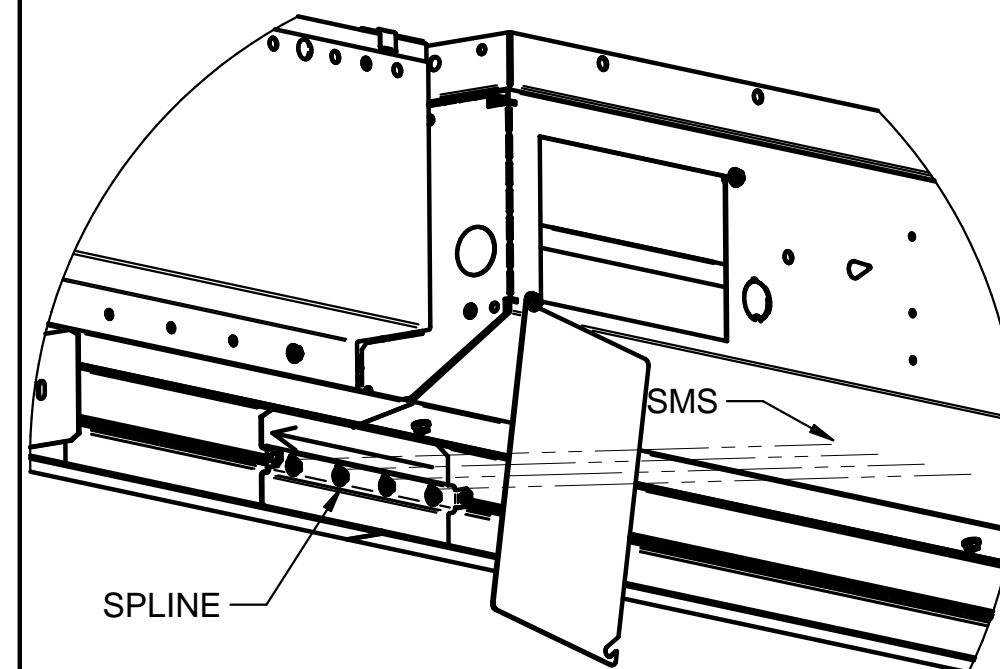
SLIDE CORNER SPLINE INTO BOTH CEILING TRIMS AT JOINT. ENSURE MITRED EDGES ARE FLUSH WITH EACH OTHER AND SECURE TO EACH TRIM USING (1) SHEET METAL SCREW.

10



LIFT SHIELD/TRIM ASSEMBLY INTO CEILING OPENING, ABUTTING THE ADJACENT FIXTURES. ATTACH EACH SHIELD TO CORRESPONDING U-ANGLE USING (2) NYLON DART FASTENERS.

11



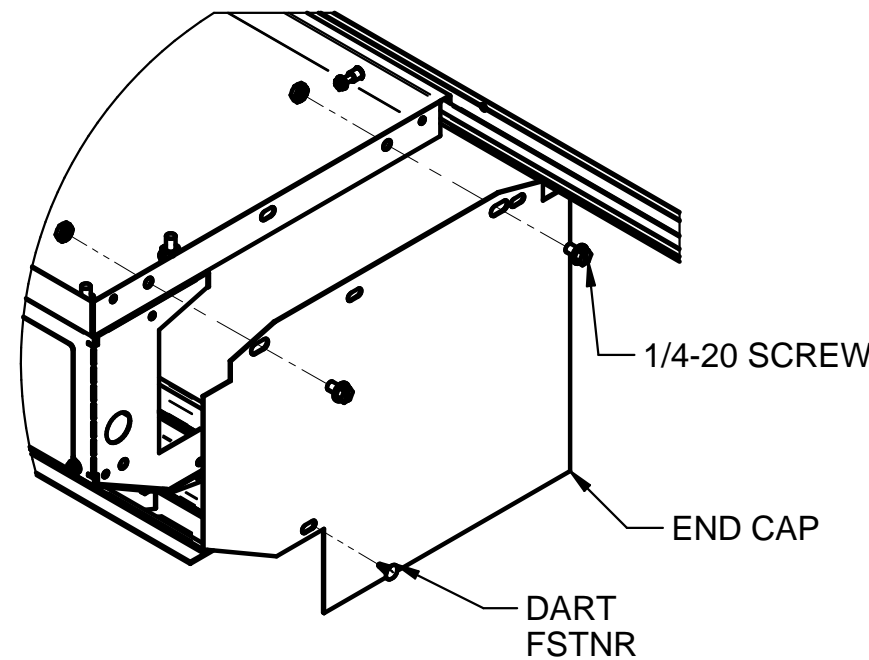
SLIDE FIXTURE SPLINE INTO EACH CORNER CEILING TRIM, POSITIONING CENTRALLY OVER JOINT. SECURE USING (4) SHEET METAL SCREWS.

## END CAP INSTALLATION

### OPTIONAL PLENUM END CAP

**MOUNTING TO FIXTURE PLENUM COVER:**

ATTACH END CAP TO PLENUM COVER USING (2) 1/4-20 SCREWS AND HEX NUTS AT LOCATIONS SHOWN. ALSO INSERT (1) DART FASTENER THROUGH END CAP INTO END HEADER.



**MOUNTING TO STRAIGHT EXTENSION U-ANGLE:**

IF STRAIGHT EXTENSION DOES NOT ABUT WALL, INSERT (2) NYLON DART FASTENERS THROUGH END CAP INTO U-ANGLE *PRIOR TO INSTALLING U-ANGLE AND JOINER STRAP INTO CEILING*. OTHERWISE, SANDWICH END CAP BETWEEN WALL SURFACE AND U-ANGLE AT PAGE 4, STEP 5.

