

INSTALLATION
INSTRUCTIONS

PR REFLECTOR END CAP
WALL SLOT 2000

PART
NO. 510405-0000

FIXTURE TYPE _____

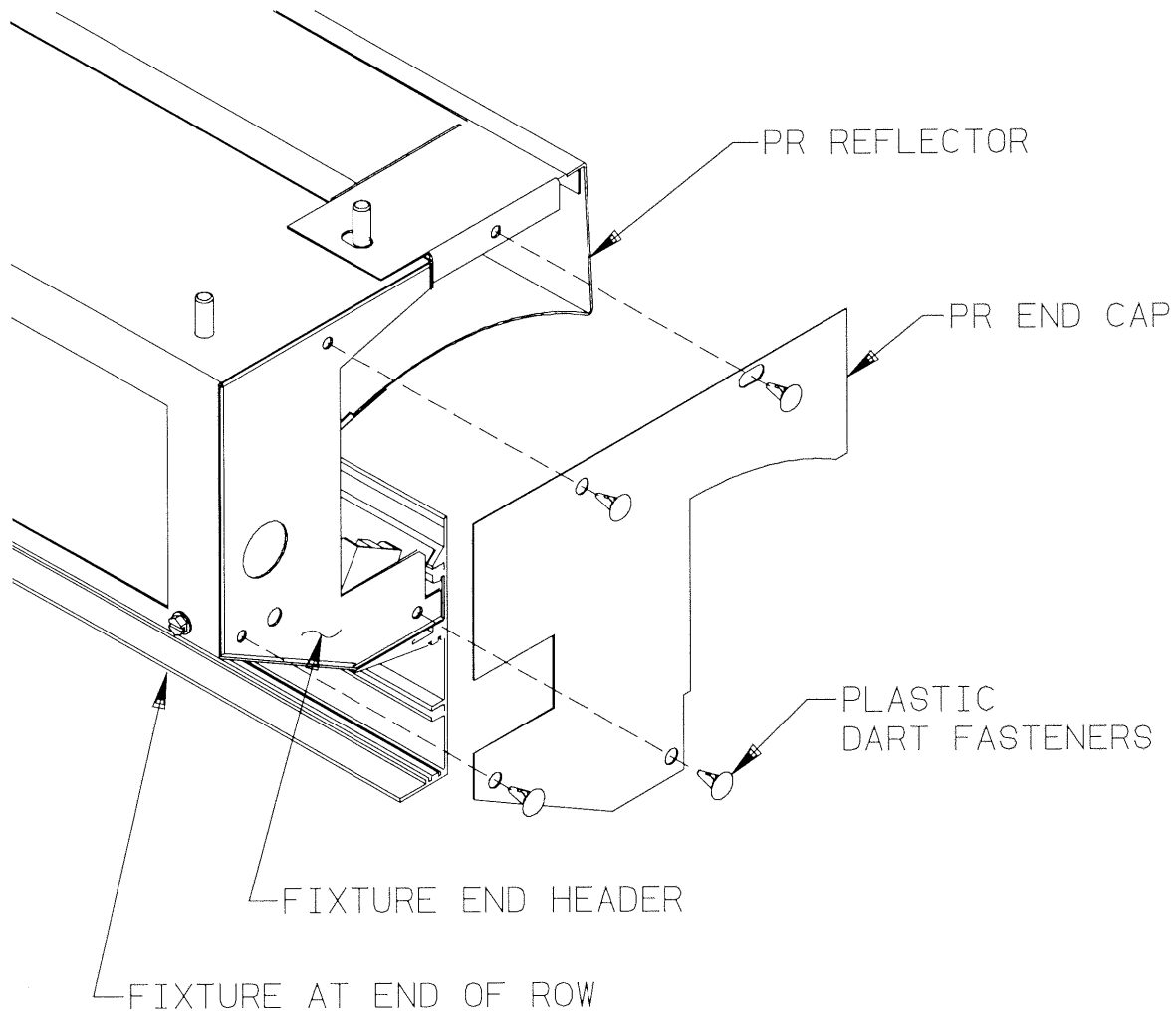
PG. 1
OF 1

NOTES:

PR END CAPS ARE INSTALLED AT BOTH ENDS OF A ROW AND MAY BE MOUNTED TO
LAST FIXTURE IN ROW BEFORE MOUNTING TO PLENUM COVER.
PR END CAP WILL TAKE THE PLACE OF FIXTURE END CAP WHICH IS FURNISHED
WITH WALLSLOT 2000 SYSTEM CONNECTORS.

INSTRUCTIONS:

1. MOUNT A PR END CAP TO THE END OF A FIXTURE WITH (4) NYLON DART FASTENERS
AS SHOWN.
2. ALIGN CURVE EDGE OF END CAP WITH CURVED EDGE OF THE PR REFLECTOR.



LITECONTROL

100 HAWKS AVENUE - PO BOX 100 - HANSON MA 02341, (781-294-0100)