

**INSTALLATION  
INSTRUCTIONS**

FIXTURE TYPE \_\_\_\_\_

**CEILING DETAILS  
WALLSLOT 2000**

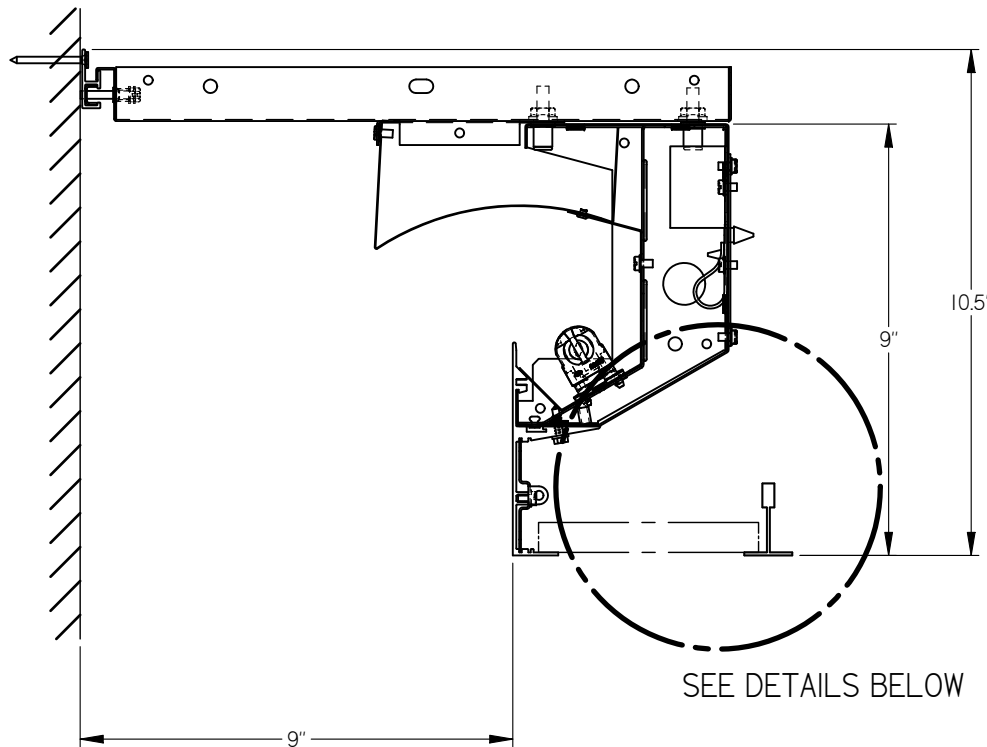
P/C **510420-1000**

**Patent No. 329,299** PG. 1 OF 1

DO NOT MODIFY OR ALTER THIS PRODUCT IN ANY WAY, OR INSTALL IN ANY FASHION WHICH IS CONTRARY TO THE INSTRUCTIONS CONTAINED HEREIN.  
IF YOU HAVE ANY QUESTIONS REGARDING THIS PRODUCT OR THE INSTALLATION OF IT, PLEASE CALL LITECONTROL ENGINEERING AT 781-294-0100.

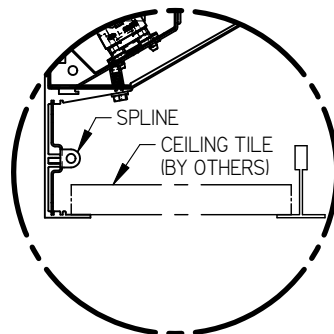
**GENERAL NOTES:**

- A) FIXTURES MUST BE INSTALLED PRIOR TO HANGING CEILING, REFER TO INSTRUCTION SHEET 510258.
- B) WALL SURFACE MUST BE FINISHED A MINIMUM OF 10 1/2" ABOVE CEILING LINE.
- C) ALL SUPPORT RAILS MUST BE INSTALLED PRIOR TO MOUNTING FIXTURES. REFER TO INSTRUCTION SHEET 510573. SUPPORT RAILS ARE SHIPPED SEPARATELY.

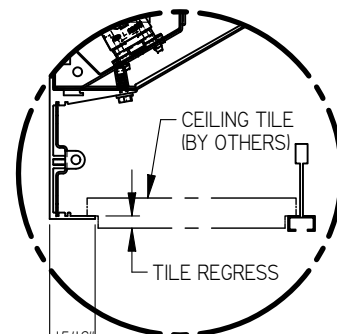


**GRID CEILING INSTRUCTIONS:**

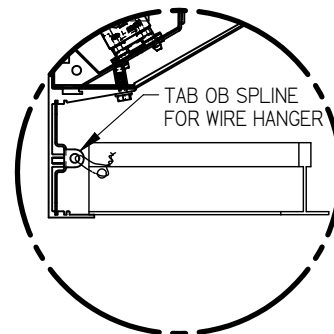
1. INSTALL SUPPORT RAIL.
2. ATTACH EACH FIXTURE TO ITS PLENUM COVER.
3. HANG FIXTURES ON SUPPORT RAILS, LEVEL AND ATTACH HANGER WIRES.
4. INSTALL CORNERS AND EXTENSIONS, THEN WIRE ELECTRICALLY.
5. INSTALL GRID (T-BAR) CEILING MEMBERS.
6. WHERE SPLINES OCCUR AT ROW JOINTS, ATTACH T-BAR TO TAB ON SPLINE WITH HANGER WIRE.
7. INSTALL CEILING TILES.



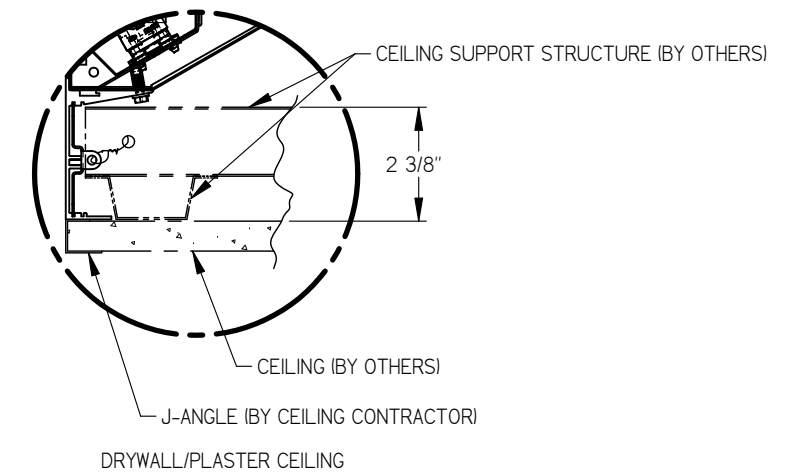
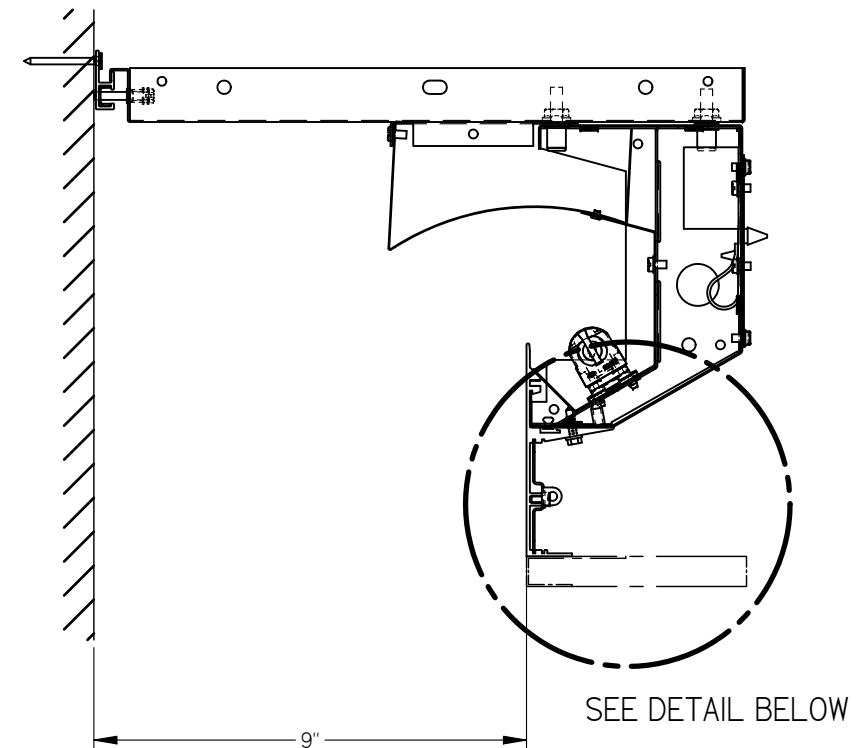
NEMA TYPE G GRID CEILING TYPE



DETAIL FOR RECESSED GRID & SCREW SLOT CEILINGS



T-BAR JOINT PERPENDICULAR TO FIXTURE ROW



**DRYWALL/PLASTER CEILING INSTRUCTIONS:**

1. INSTALL SUPPORT RAIL.
2. ATTACH EACH FIXTURE TO ITS PLENUM COVER.
3. HANG FIXTURES ON SUPPORT RAILS, LEVEL AND ATTACH HANGER WIRES.
4. INSTALL CORNERS AND EXTENSIONS, THEN WIRE ELECTRICALLY.
5. INSTALL CEILING. FRAME CEILING USING J-ANGLE TO FINISH EDGE.
6. FINISH CEILING.