

INSTALLATION  
INSTRUCTIONS

FIXTURE TYPE \_\_\_\_\_

WALL MOUNTING  
BRACKETS

P/C 510475-01

PG. 1 OF 1

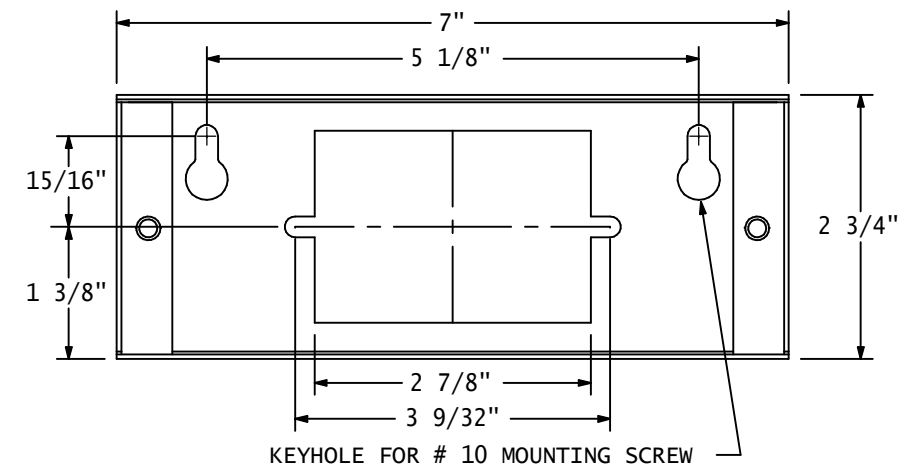
DO NOT MODIFY OR ALTER THIS PRODUCT IN ANY WAY, OR INSTALL IN ANY FASHION WHICH IS CONTRARY TO THE INSTRUCTIONS CONTAINED HEREIN. IF YOU HAVE ANY QUESTIONS REGARDING THIS PRODUCT OR THE INSTALLATION OF IT, PLEASE CALL LITECONTROL ENGINEERING AT 781-294-0100.

GENERAL NOTES:

REFER TO FIXTURE INSTALLATION INSTRUCTIONS FOR LOCATIONS OF WALL BRACKETS. FIXTURE REFLECTOR HALVES MUST BE REMOVED TO ALLOW FOR WALL BRACKET ATTACHMENT.

INSTRUCTIONS:

1. MARK A STRAIGHT LINE ON MOUNTING WALL AT CORRECT HEIGHT. CAREFULLY PRE-POSITION BRACKETS ON WALL AT CORRECT DISTANCES FROM EACH OTHER AND MARK LOCATIONS OF MOUNTING HOLES.
2. WHEN ATTACHING WALL BRACKET TO AN OUTLET BOX USE EITHER A 2" X 4" HANDY BOX OR A 4" OUTLET BOX WITH A PLASTER RING MOUNTED HORIZONTALLY. NOTE: OUTLET BOX MUST BE ADEQUATELY ATTACHED TO STRUCTURE FOR SUPPORTING FIXTURE WEIGHT.
3. MOUNT THE FIRST AND LAST WALL BRACKET IN A ROW OF FIXTURES THRU #10 KEYHOLES. USE CORRECT ANCHORING TO INSURE THAT FIXTURE WILL NOT PULL AWAY FROM WALL WHEN ATTACHED. RUN A STRING BETWEEN THESE TWO BRACKETS AND MOUNT ALL OTHER BRACKETS BETWEEN THEM MAKING SURE THAT THEY ARE "FLUSH" WITH STRING. IF REQUIRED USE SHIM(S) BETWEEN WALL SURFACE AND BACK OF BRACKETS. SEE VIEWS BELOW.
4. MOUNT FIXTURE TO WALL BRACKETS WITH FENDER WASHERS AND FLANGE NUTS SHIPPED WITH BRACKETS.



WALL BRACKET DETAIL

