

INSTALLATION INSTRUCTIONS

FIXTURE TYPE _____

**LITEWAVE
LHF/LHFL-1X4,2X2,2X4**

PG. 1 OF 2

P/C 510628-0000

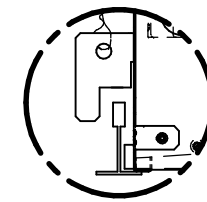
DO NOT MODIFY OR ALTER THIS PRODUCT IN ANY WAY, OR INSTALL IN ANY FASHION WHICH IS CONTRARY TO THE INSTRUCTIONS CONTAINED HEREIN. IF YOU HAVE ANY QUESTIONS REGARDING THIS PRODUCT OR THE INSTALLATION OF IT, PLEASE CALL LITECONTROL ENGINEERING AT 781-294-0100.

GENERAL NOTES:

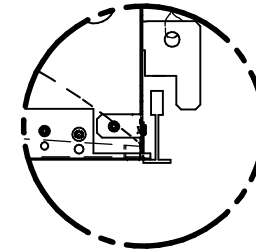
- A) READ ENTIRE INSTRUCTION SHEET BEFORE INSTALLATION.
- B) **"LHF T8" FIXTURES CANNOT BE MOUNTED BACK TO BACK IN A ROW.**
- C) THE FIXTURE AS PROVIDED IN THE CARTON IS COMPLETELY WIRED. BALLAST LINE LEADS AND GROUNDING CONDUCTOR HAVE BEEN BROUGHT OUT THROUGH THE OPENING IN THE TOP OF THE FIXTURE AND TAPED UNDERNEATH THE ACCESS COVER PLATE SO THAT IT IS NOT NECESSARY TO REMOVE THE RELECTORS FOR INSTALLATION.
- D) THE FIXTURE IS PROVIDED WITH ADDITIONAL 7/8" FEED KNOCKOUTS AT BOTH ENDS OF FIXTURE.
- E) HOLES ARE PROVIDED IN THE SAFETY EARS FOR REQUIRED CHAIN OR WIRE SUPPORT.
- F) SIDE DIFFUSERS ARE SHIPPED SEPARATELY. REFER TO PAGE 2 FOR INSTALLATION.

INSTRUCTIONS:

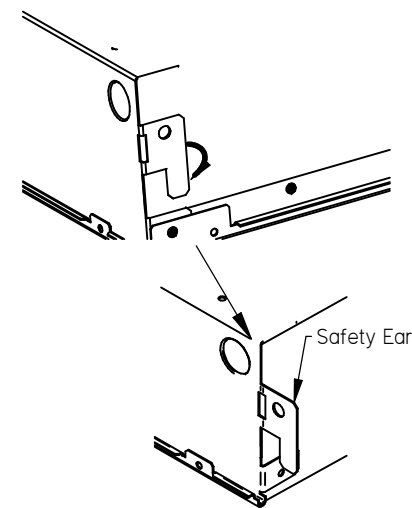
1. REMOVE FIXTURE FROM CARTONING. BEND OUT SAFETY EARS ON FIXTURE. SEE DETAIL "A". LIFT FIXTURE DIAGONALLY THROUGH THE OPENING ABOVE CEILING GRID AND REST IT ON THE T-BARS SO THAT THE SAFETY EARS SEAT OVER T-BARS. ATTACH GUY WIRES FROM OVERHEAD CEILING STRUCTURE AND LEVEL.
2. WIRE FEED MAY BE BROUGHT INTO FIXTURE THRU 7/8" HOLE AT EITHER END OR THRU THE 7/8" KO'S IN THE ACCESS PLATE ON TOP OF HOUSING.
3. REMOVE ACCESS COVER FROM THE TOP OF THE FIXTURE. CAREFULLY REMOVE A KNOCKOUT IN COVER AND ATTACH THE FLEXIBLE CONDUIT FEED (BY E.C.) REMOVE TAPE HOLDING FIXTURE WIRES AND MAKE WIRING CONNECTIONS. CAREFULLY PUSH WIRE CONNECTIONS BACK INTO HOUSING AND RE-INSTALL ACCESS COVER USING EXISTING #8 SMS'S.
4. FOR "LHF" FIXTURES
LAMP INSTALLATION:
(LAMPS PROVIDED BY OTHERS) FOR T8 LAMPS: INSERT LAMP PINS INTO CLEARANCE SLOTS IN END OF FIXTURE, SHIFT LAMP INTO POSITION AND CAREFULLY PUSH LAMPS INTO SOCKETS. CLEAN REFLECTOR SURFACES WITH A GENERAL WINDOW CLEANER.



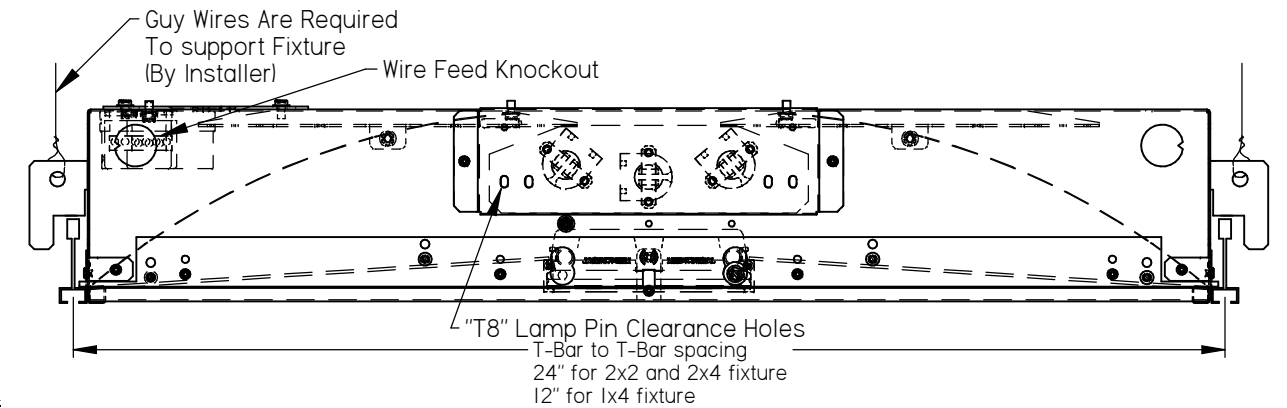
CEILING TYPE - 15/16" T-BAR



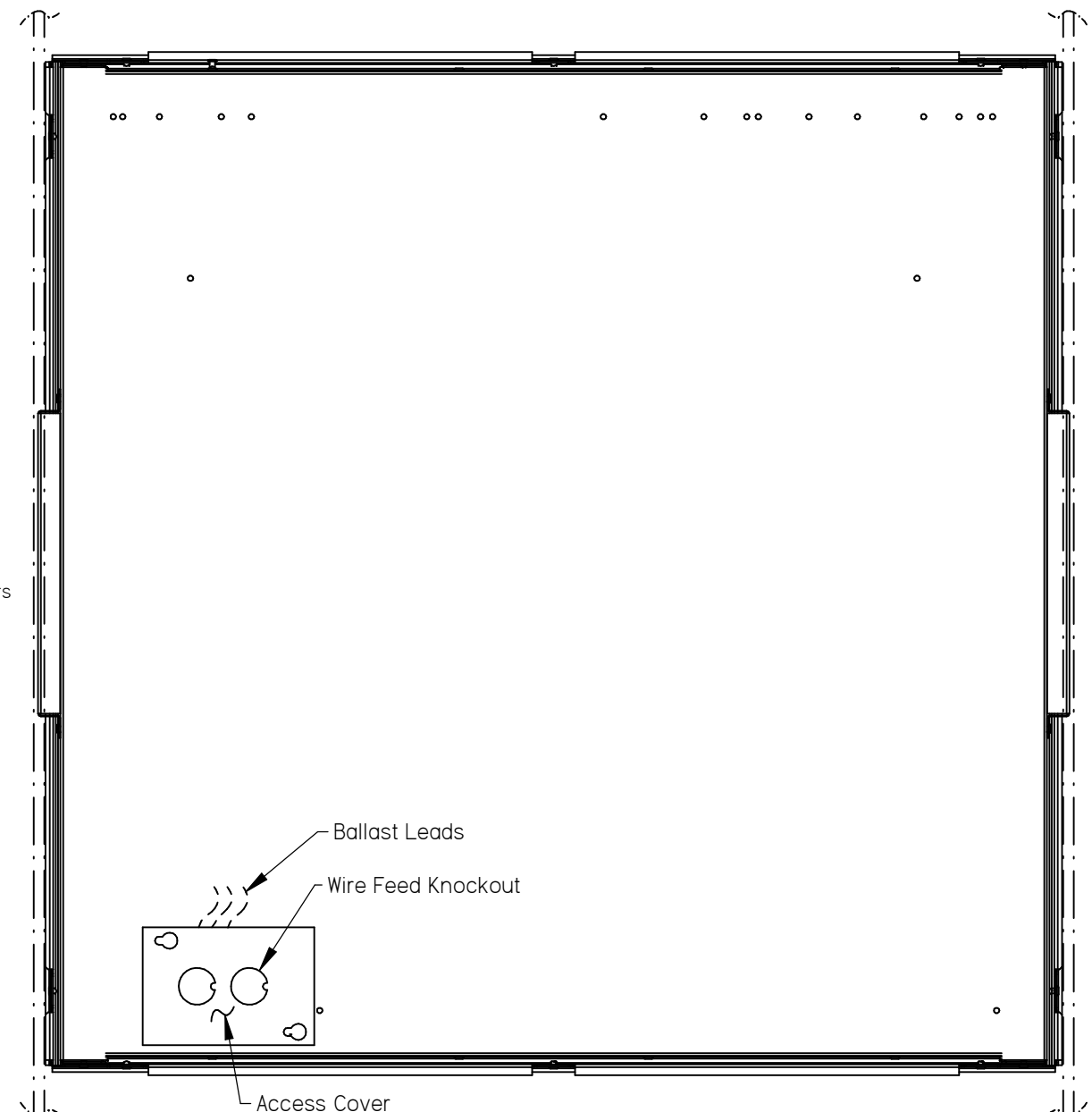
CEILING TYPE - "NG" 9/16" T-BAR



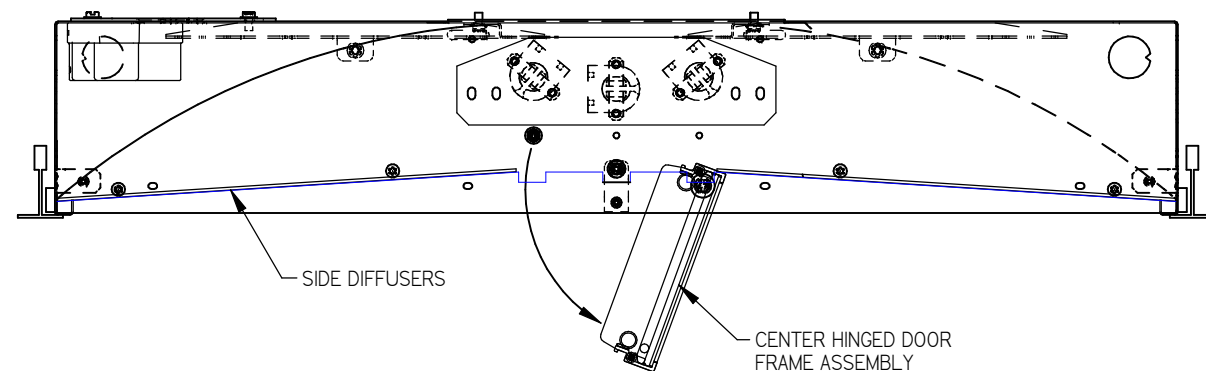
DETAIL "A"



CROSS SECTION LHF 2X2 & 2X4 - SCREW SLOT SHOWN



Center Door Frame Assy w/Side Diffusers



INSTALLATION
INSTRUCTIONS

FIXTURE TYPE _____

LITEWAVE
LHF/LHFL-1X4,2X2,2X4

PG. 2 OF 2

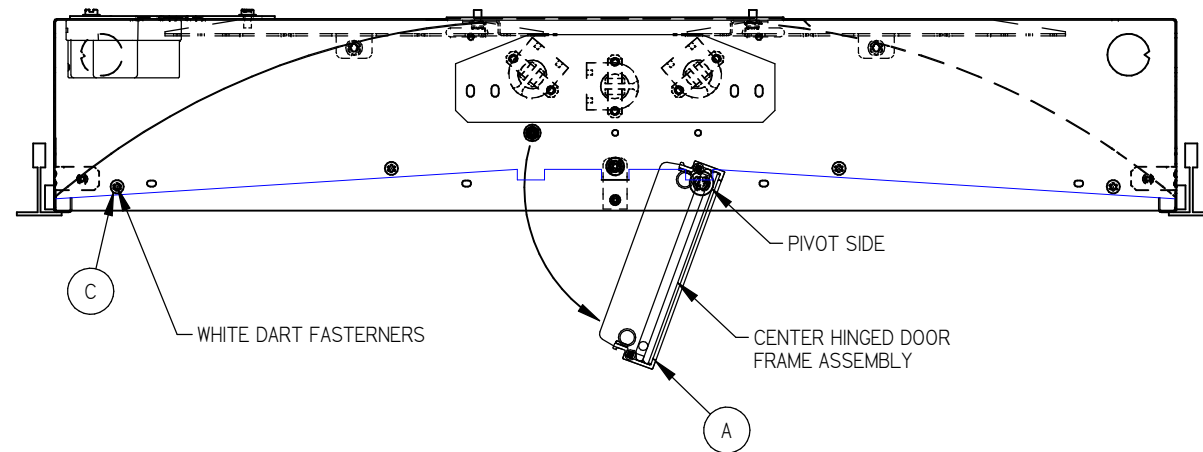
P/C 510628-0000

DO NOT MODIFY OR ALTER THIS PRODUCT IN ANY WAY, OR INSTALL IN ANY FASHION WHICH IS CONTRARY TO THE INSTRUCTIONS CONTAINED HEREIN. IF YOU HAVE ANY QUESTIONS REGARDING THIS PRODUCT OR THE INSTALLATION OF IT, PLEASE CALL LITECONTROL ENGINEERING AT 781-294-0100.

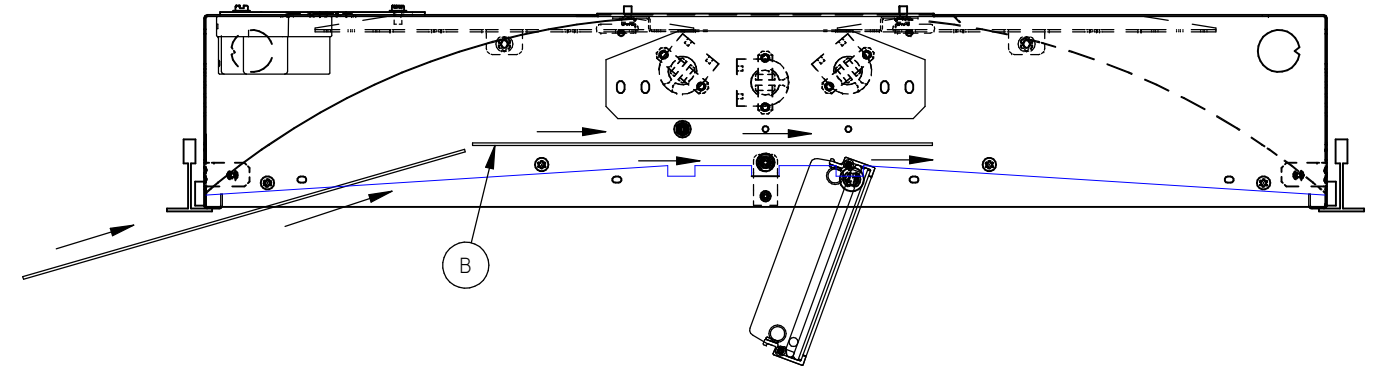
INSTRUCTIONS:

1. ENSURE THAT THE CIRCUIT TO THE FIXTURE IS OFF. OPEN THE CENTER DOOR ASSY "A" BY PULLING DOWN ON THE SIDE OPPOSITE THE PIVOT SIDE. REFER TO DETAILS.
- 2/3. INSERT ONE DIFFUSER "B" INTO THE SIDE WHERE THE CENTER DOOR IS OPEN AS SHOWN. SLIDE THE DIFFUSER ACROSS TO THE OPPOSITE SIDE. MAKE SURE THE DIFFUSER IS SEATED BETWEEN THE WHITE DART FASTENERS "C" AND HOUSING EDGES.
4. INSERT THE SECOND DIFFUSER "B" INTO THE OPEN AREA OF THE FIXTURE ENSURING THAT THE DIFFUSER IS SEATED ON 3 SIDES AS IN STEP 2.
5. CLOSE THE CENTER DOOR ASSY "A" BY SNAPPING BACK INTO PLACE

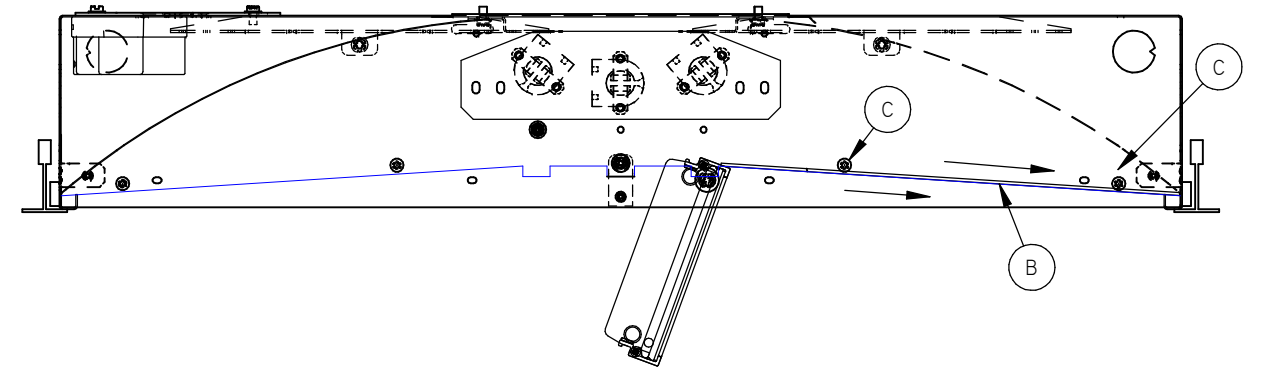
STEP 1



STEP 2

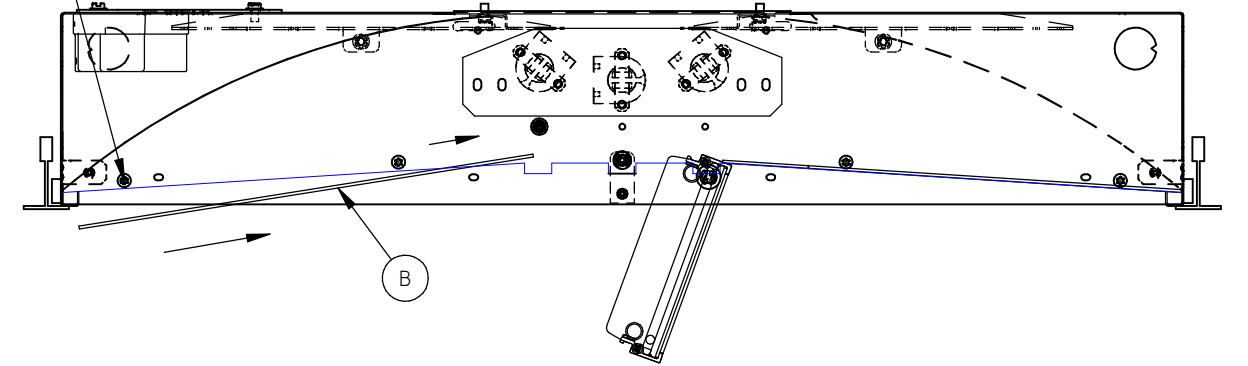


STEP 3



WHITE DART FASTENERS

STEP 4



STEP 5

