

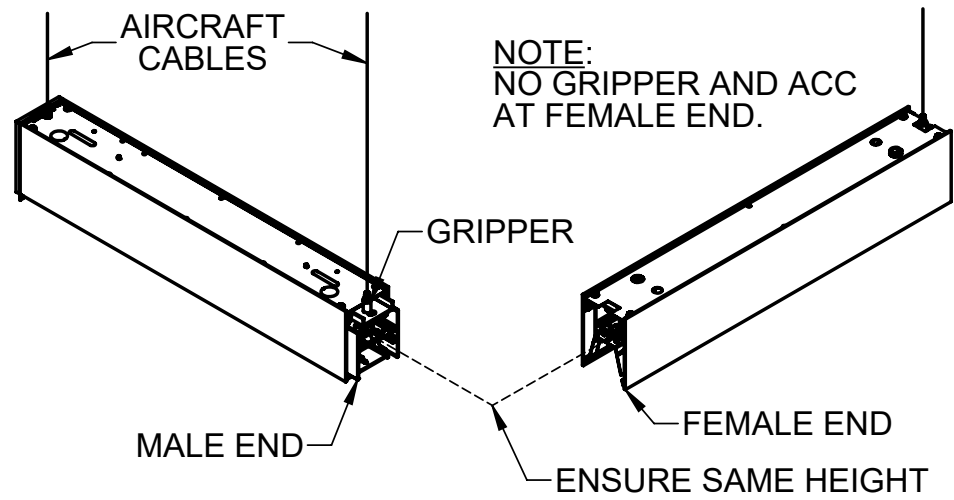
PLAN VIEW - PENDANT MOUNTED CORNER

GENERAL NOTES: (READ SHEETS COMPLETELY BEFORE STARTING)

1. **USE THIS INSTRUCTION SHEET IN CONJUNCTION WITH INSTRUCTION SHEET 510636.**
2. LEAVE PROTECTIVE WRAPPING MATERIAL ON FIXTURE(S) UNTIL START OF INSTALLATION TO PROTECT FINISH FROM DAMAGE.
3. FIXTURES ARE PROVIDED WITH FACTORY-INSTALLED BRANCH CIRCUIT WIRING. REFER TO SUPPLEMENTAL INSTRUCTION SHEET WHEN MAKING CONNECTIONS.
4. CORNER FIXTURES ARE HUNG WITH AIRCRAFT CABLES (SHIPPED SEPARATELY).

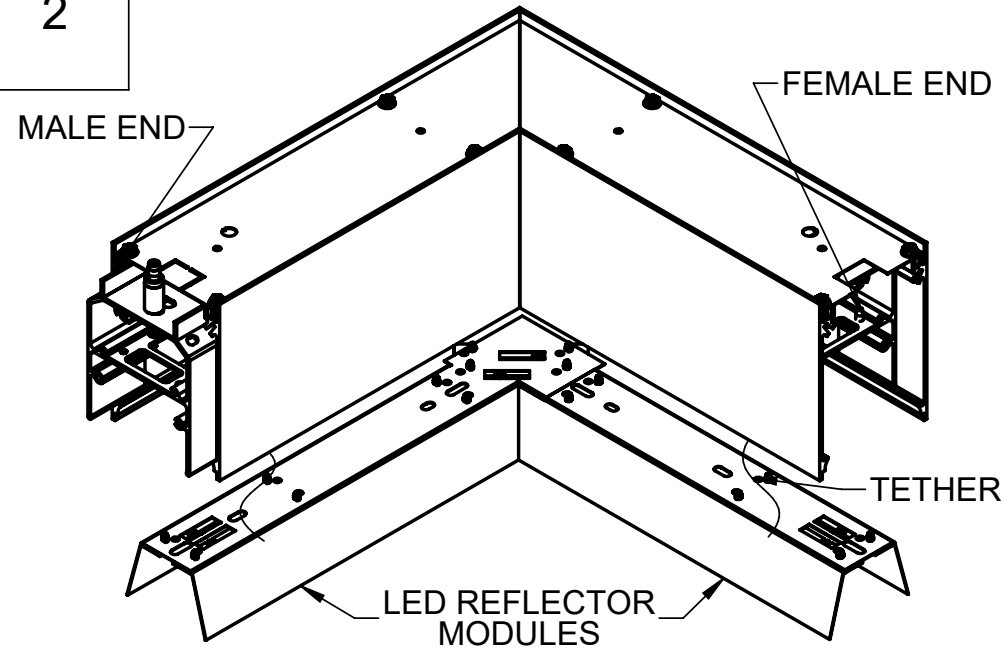
TOOLS REQUIRED	SUPPLIED BY INSTALLER
- SCREWDRIVER/DRILL	

1



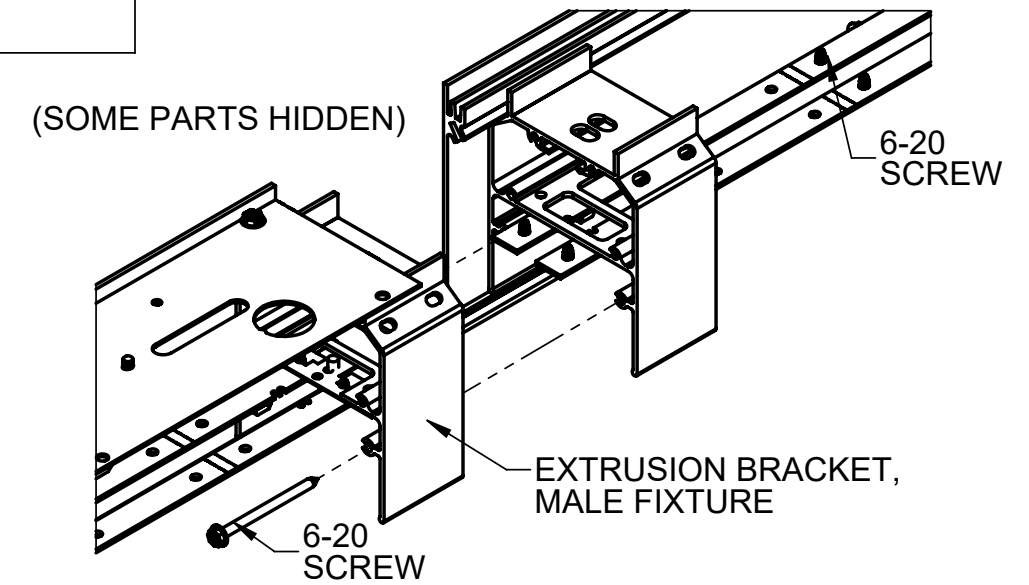
LOCATE THE AIRCRAFT CABLES OF THE LINEAR FIXTURES ADJACENT TO THE CORNER. MOUNT LINEAR FIXTURES PER INSTRUCTION SHEET 510636 AND THE DIMENSIONS SHOWN ON PAGE 1. ALSO SEE CABLE INSTRUCTIONS 510541. ENSURE THAT ONE MALE END AND ONE FEMALE END ARE ORIENTED TOWARDS THE CORNER.

2



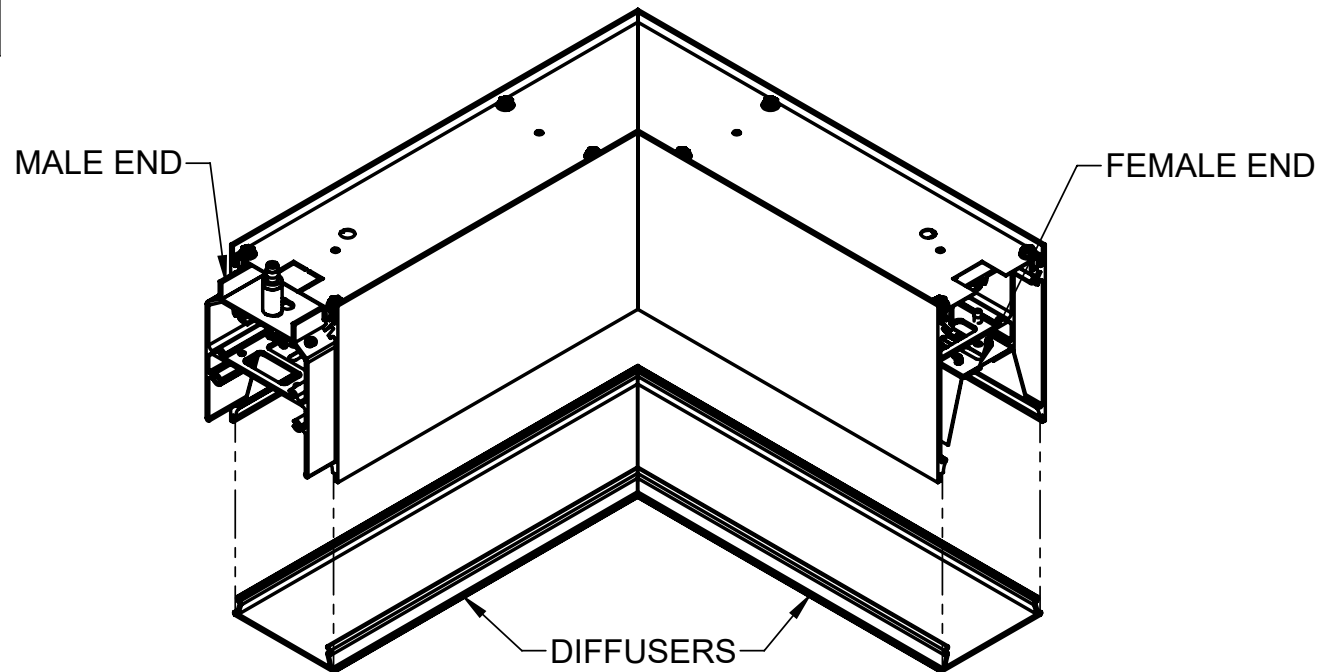
REMOVE LED REFLECTOR MODULES OF CORNER FIXTURE BY REMOVING SCREWS. ALLOW MODULES TO HANG DOWN ON NYLON TETHERS.

3



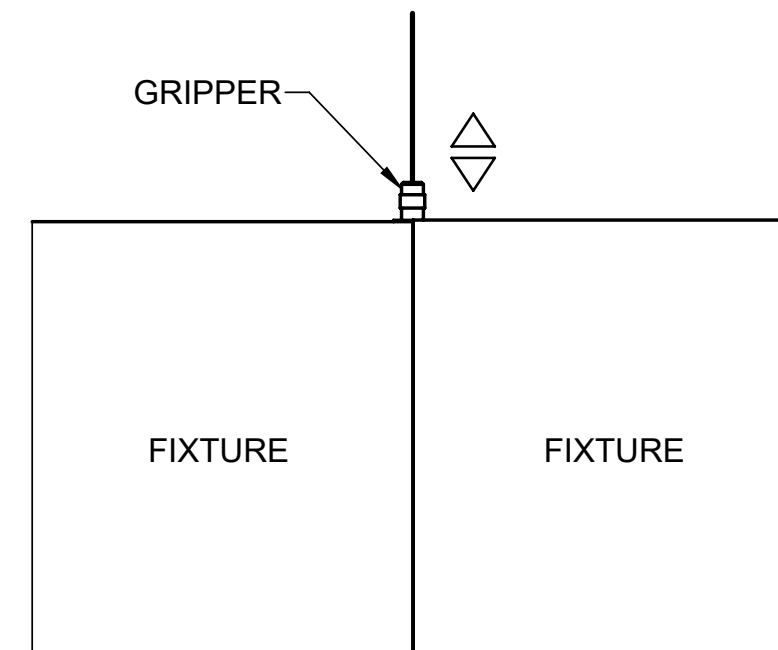
JOIN CORNER FIXTURE WITH MOUNTED LINEAR FIXTURES BY ALIGNING THE EXTRUSION BRACKET AND INSERTING IT INTO THE ADJOINING FIXTURE. SECURE WITH 6-20 X 2" LONG HEX HEAD SCREWS. DO NOT OVERTIGHTEN WITH POWER DRILL. ROUTE BRANCH CIRCUIT WIRING THROUGH FIXTURE JOINT.

4



SNAP DIFFUSERS INTO BOTTOM HOUSING AS SHOWN. TO REMOVE, INSERT SCREW DRIVER OR FLAT HEAD PRY TOOL INTO SIDE OF HOUSING AND PULL DOWN.

5



IF NECESSARY, LEVEL FIXTURES BY ADJUSTING CABLE GRIPPERS UP AND DOWN.