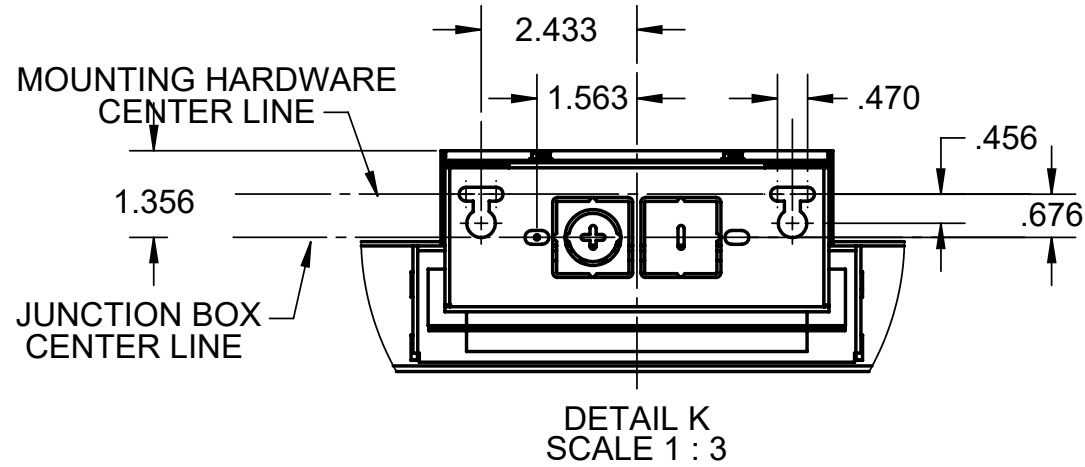
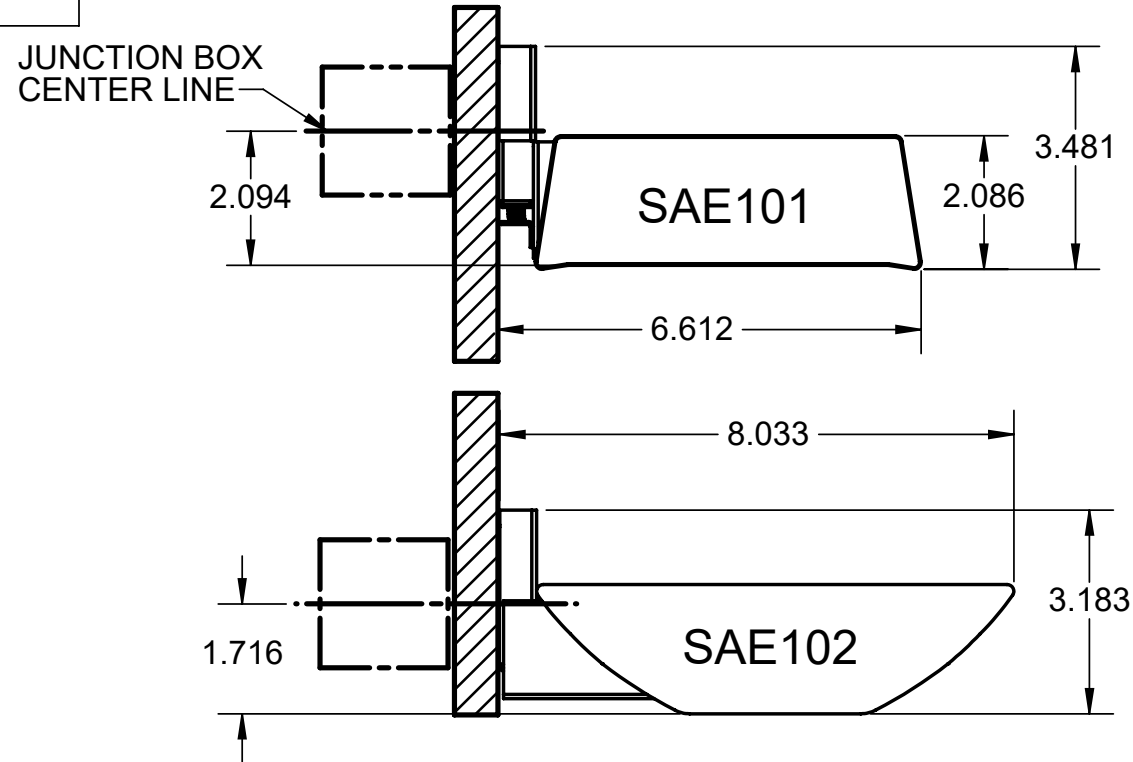


- GENERAL NOTES: (READ SHEET COMPLETELY BORE STARTING)**
1. LEAVE PROTECTIVE WRAPPING ON FIXTURE(S) UNTIL START OF INSTALLATION.
 2. FIXTURES ARE SUPPLIED WITH FACTORY-INSTALLED BRANCH CIRCUIT WIRING. REFER TO SUPPLEMENTAL INSTRUCTION SHEET 510401 WHEN MAKING CONNECTIONS.
 3. APPROXIMATE WEIGHT OF SAE101 FIXTURE IS 2.875 LBS PER FOOT OF LENGTH. APPROXIMATE WEIGHT OF SAE102 FIXTURE IS 2.750 LBS PER FOOT OF LENGTH.

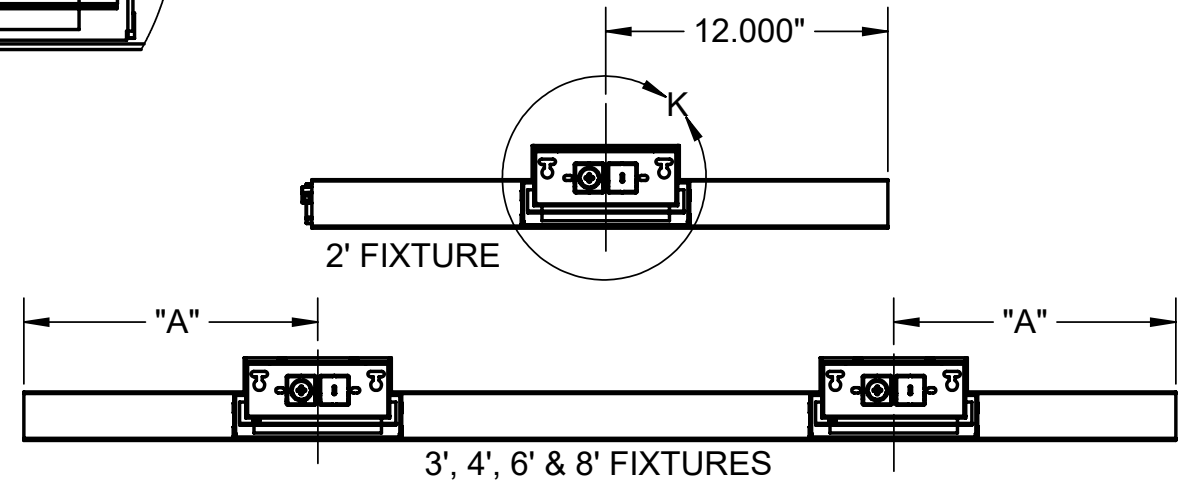
TOOLS REQUIRED	SUPPLIED BY INSTALLER
<ul style="list-style-type: none"> - 3/16" Hex head allen tool - Wire cutters - Screwdriver/drill 	- N/A

1

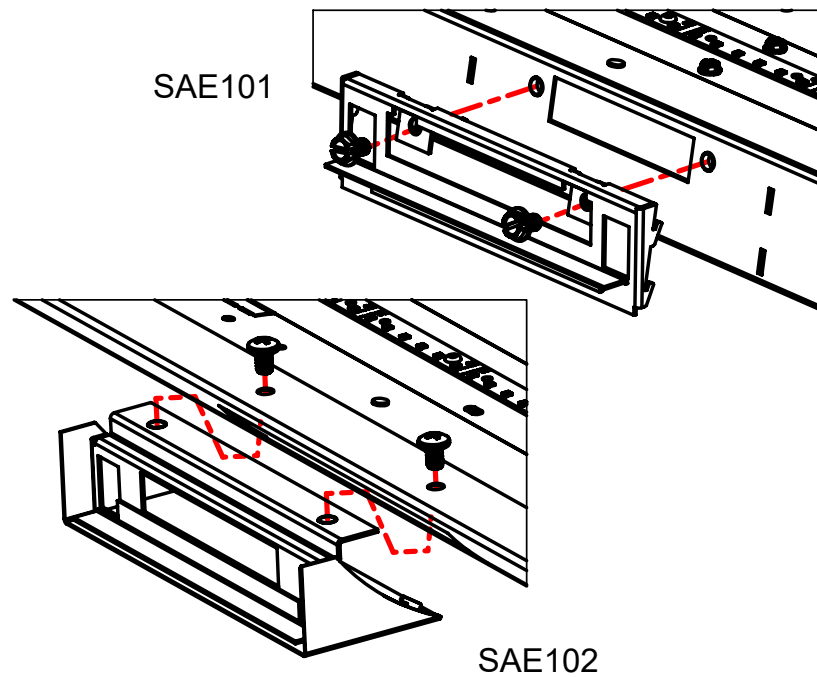


MARK LINE ON WALL USING DIMENSIONS SHOWN TO DETERMINE FIXTURE HEIGHT IN REFERENCE TO JUNCTION BOX. ATTACH WALL BRACKETS TO WALL.

LENGTH	DIMENSION "A"
3'	6.000"
4'	12.000"
6'	12.000"
8'	12.000"

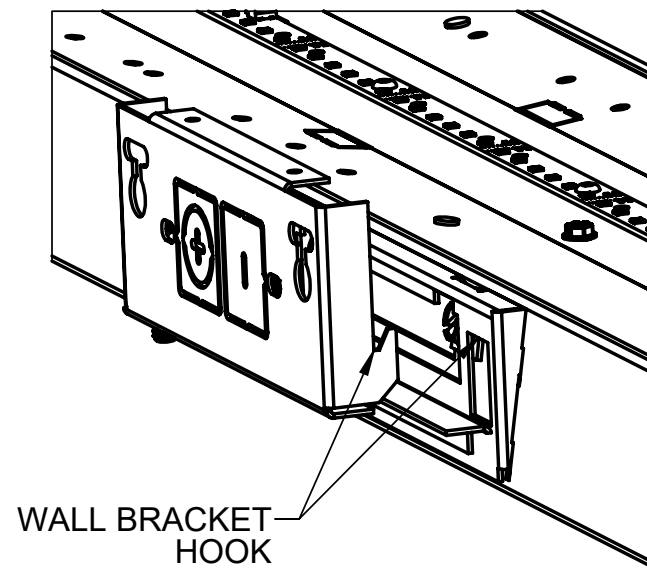


2



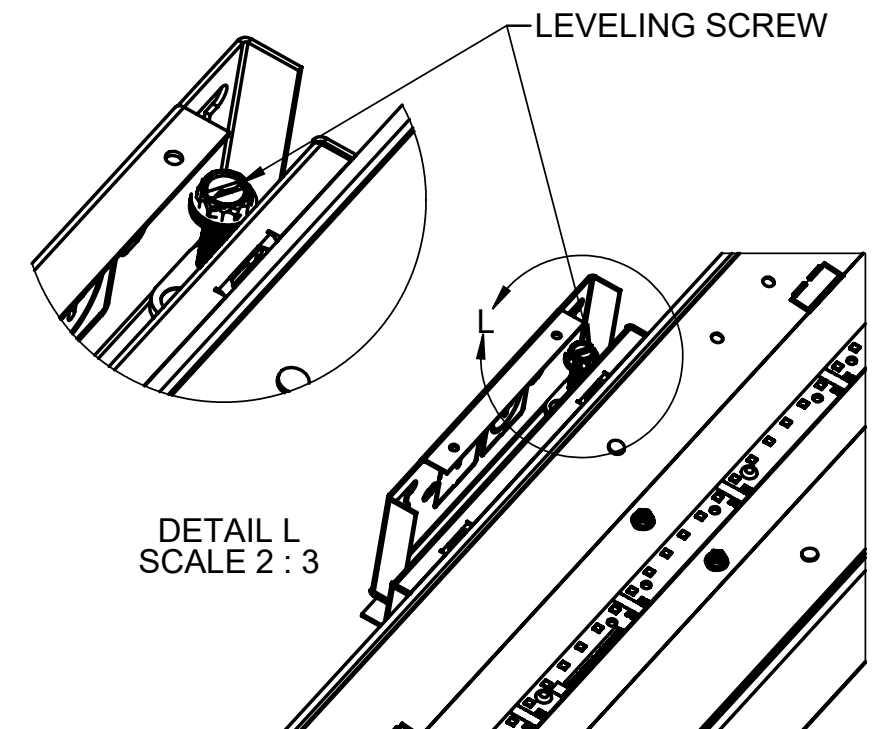
ATTACH WALL BRACKET KITS TO FIXTURE USING SUPPLIED 1/4-20" PAN HEAD SCREWS.

3



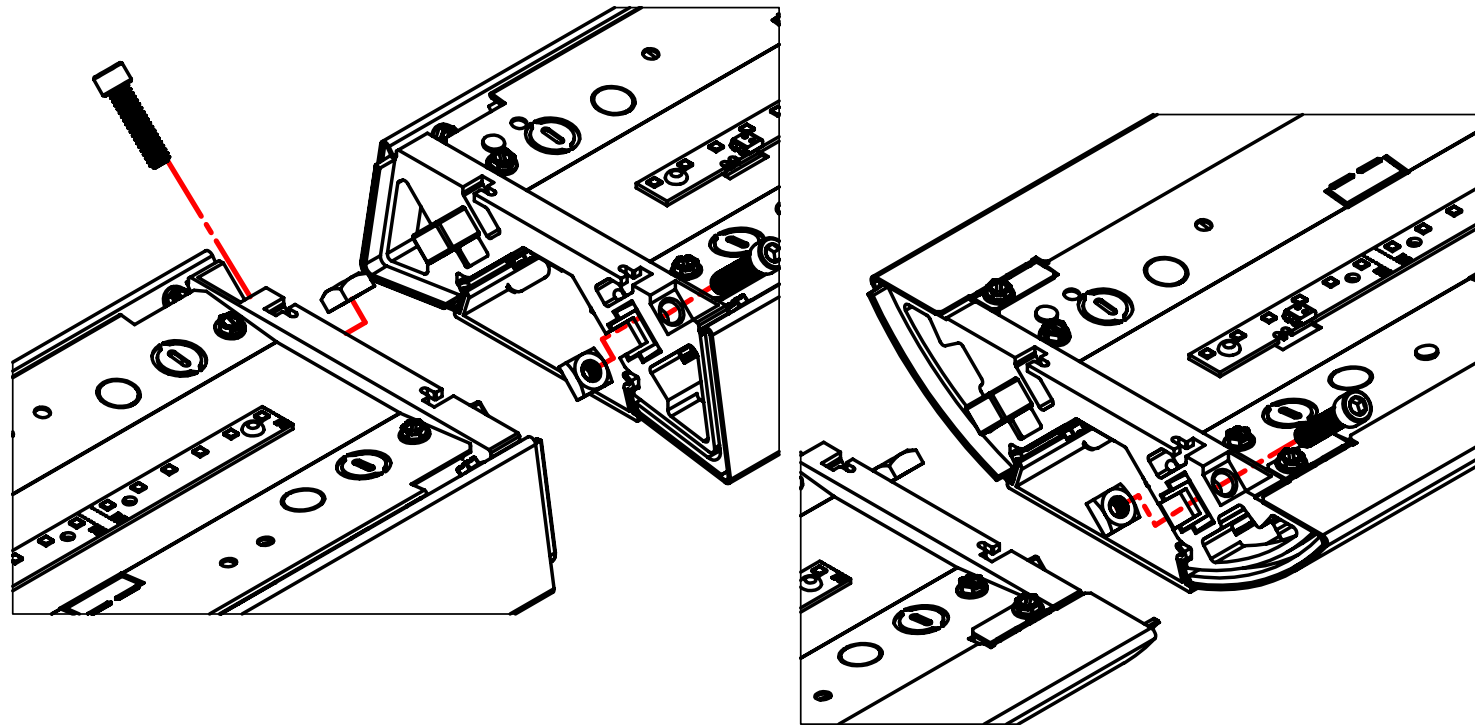
HOOK FIXTURE ONTO WALL BRACKETS.

4



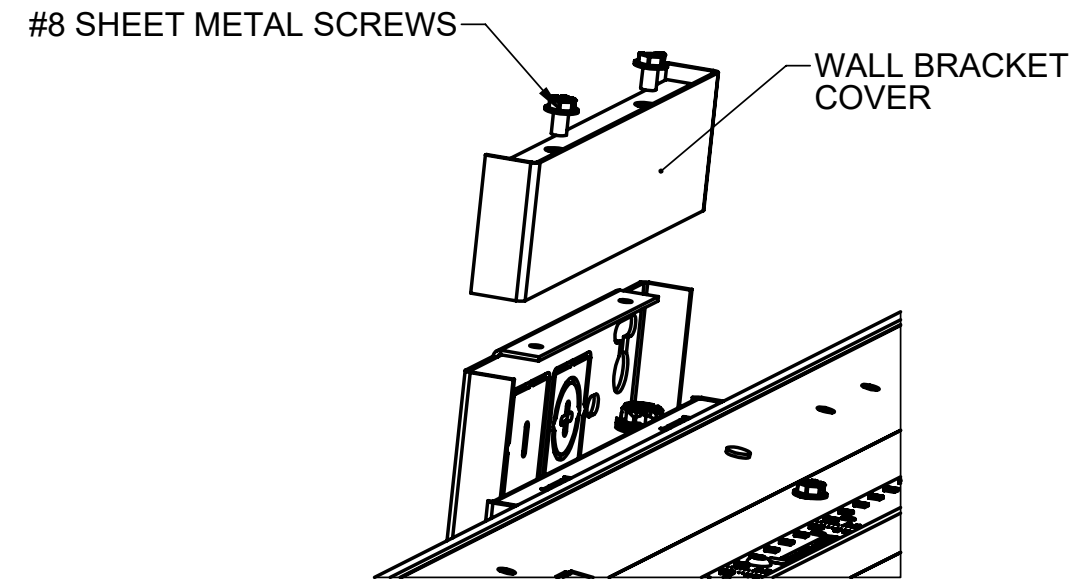
ADJUST THE ANGLE OF THE FIXTURE USING THE 1/4-20" LEVELING SCREWS LOCATED IN THE WALL BRACKET KIT.

5



FOR ROW MOUNTED FIXTURES, HOOK FIXTURES ONTO BRACKETS THEN SLIDE THE END HEADERS INTO THEIR RESPECTIVE SLOTS AND ATTACH 1/4"-20 SOCKET HEAD SCREWS AND 1/4"-20 SQUARE NUTS INTO THE HOUSING USING A 3/16" HEX ALLEN TOOL.

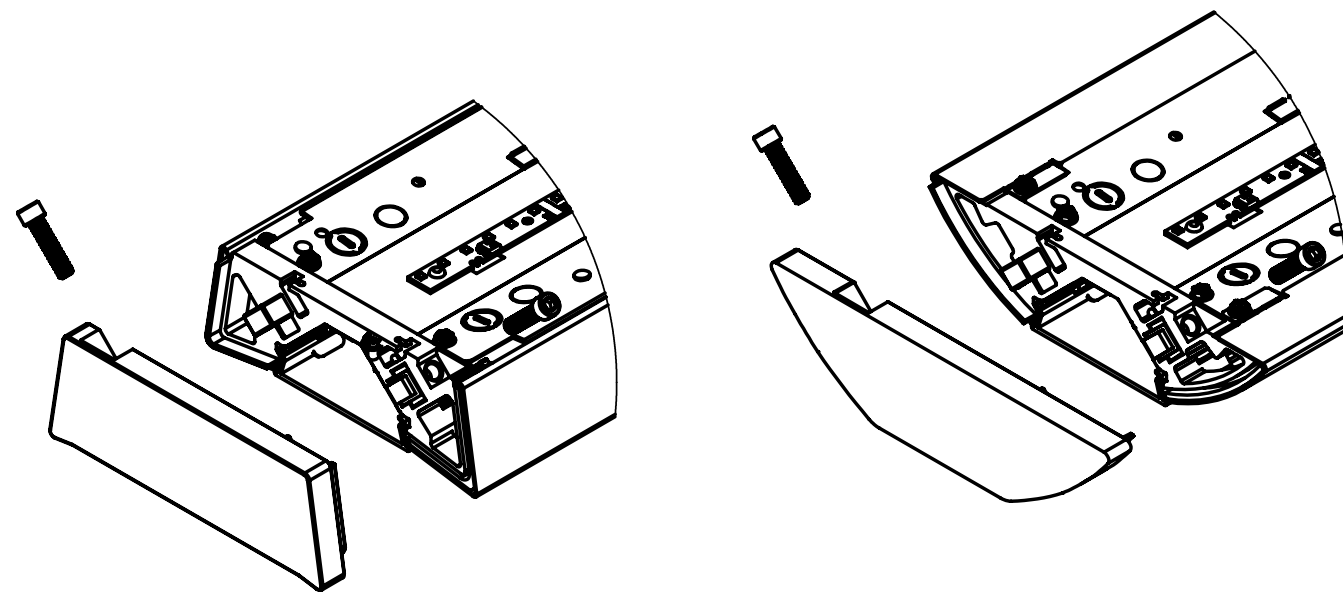
6



AFTER MAKING WIRE CONNECTIONS FROM THE JUNCTION BOX, AND LEVELING OF FIXTURES IS COMPLETE, ATTACH WALL BRACKET COVERS AS SHOWN.

7

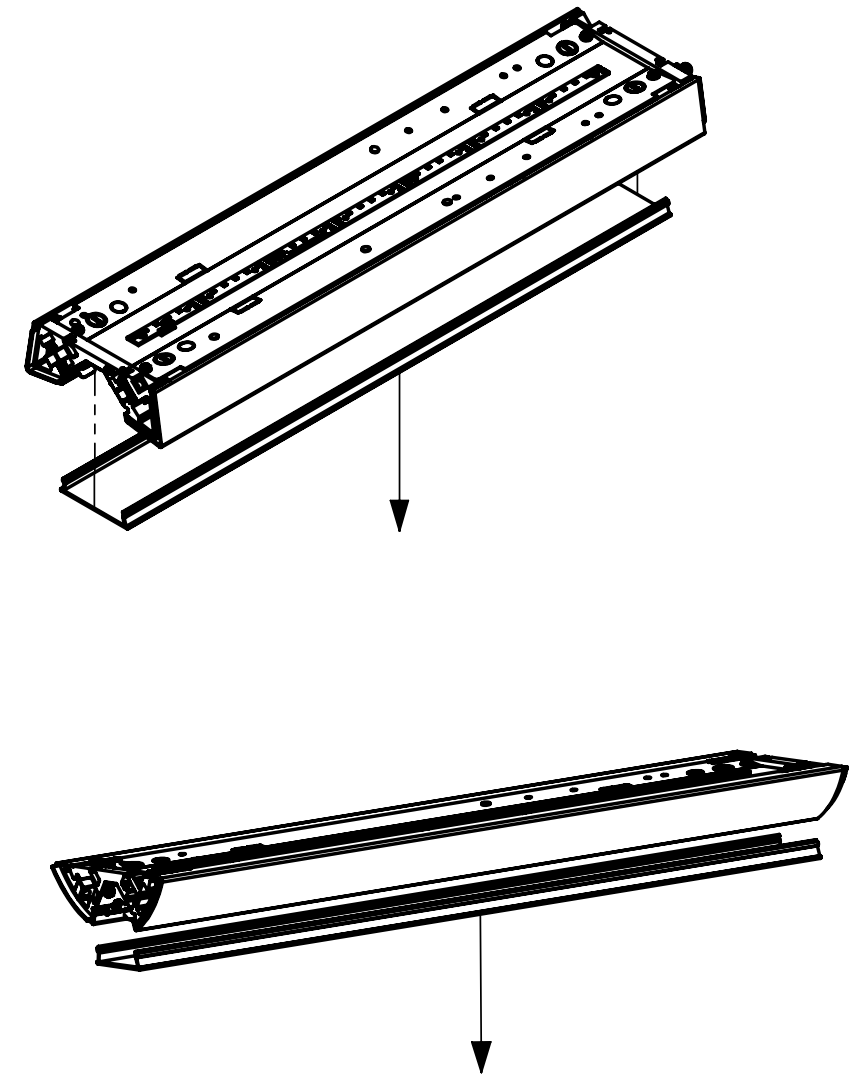
END CAP REMOVAL



REMOVE END CAPS BY UNSCREWING THE 1/4\"-20 SOCKET HEAD SCREWS FROM THE 1/4\"-20 SQUARE NUT INSIDE HEADER, THEN SLIDE END CAP OUT FROM END HEADER.

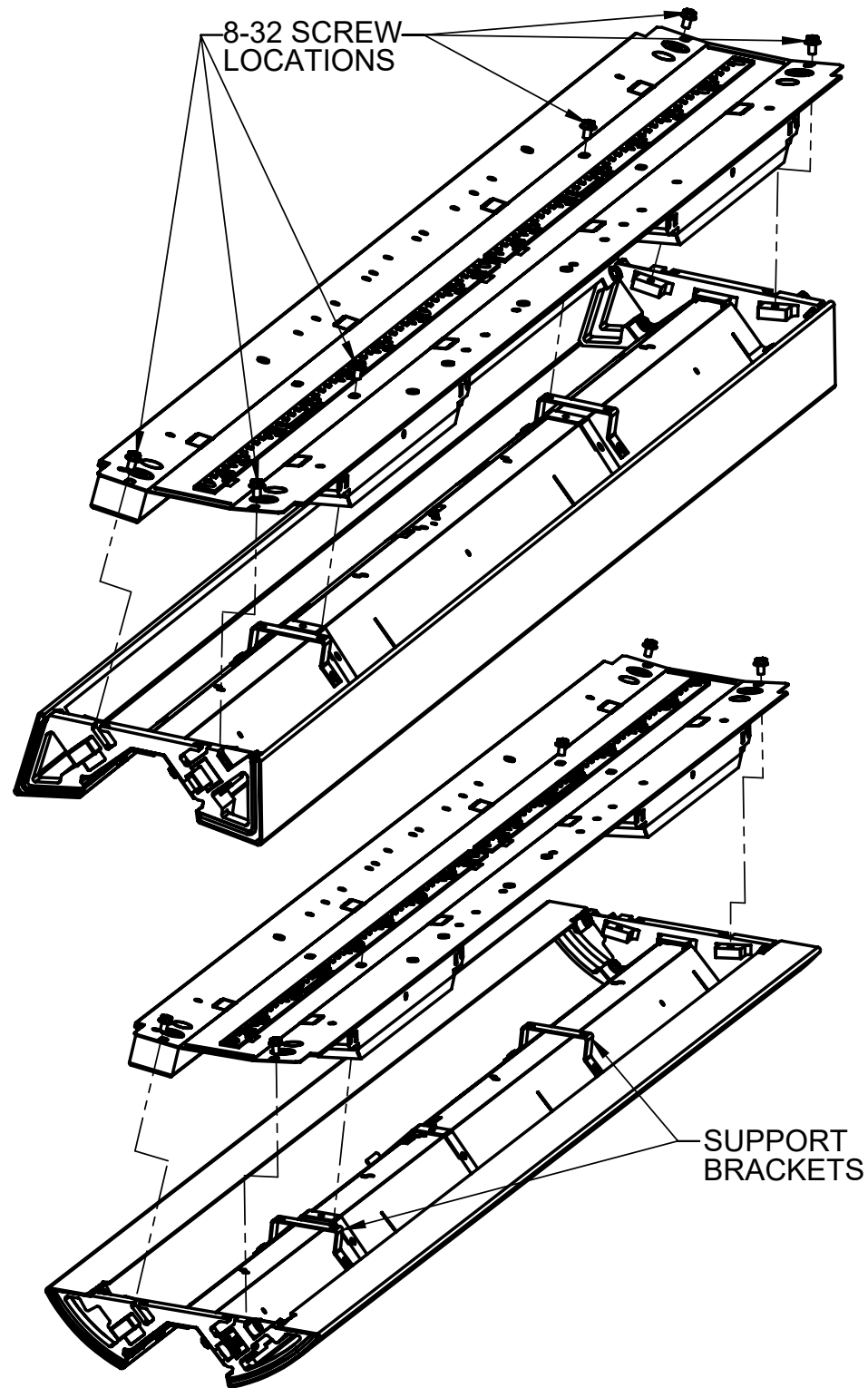
8

LENS REMOVAL



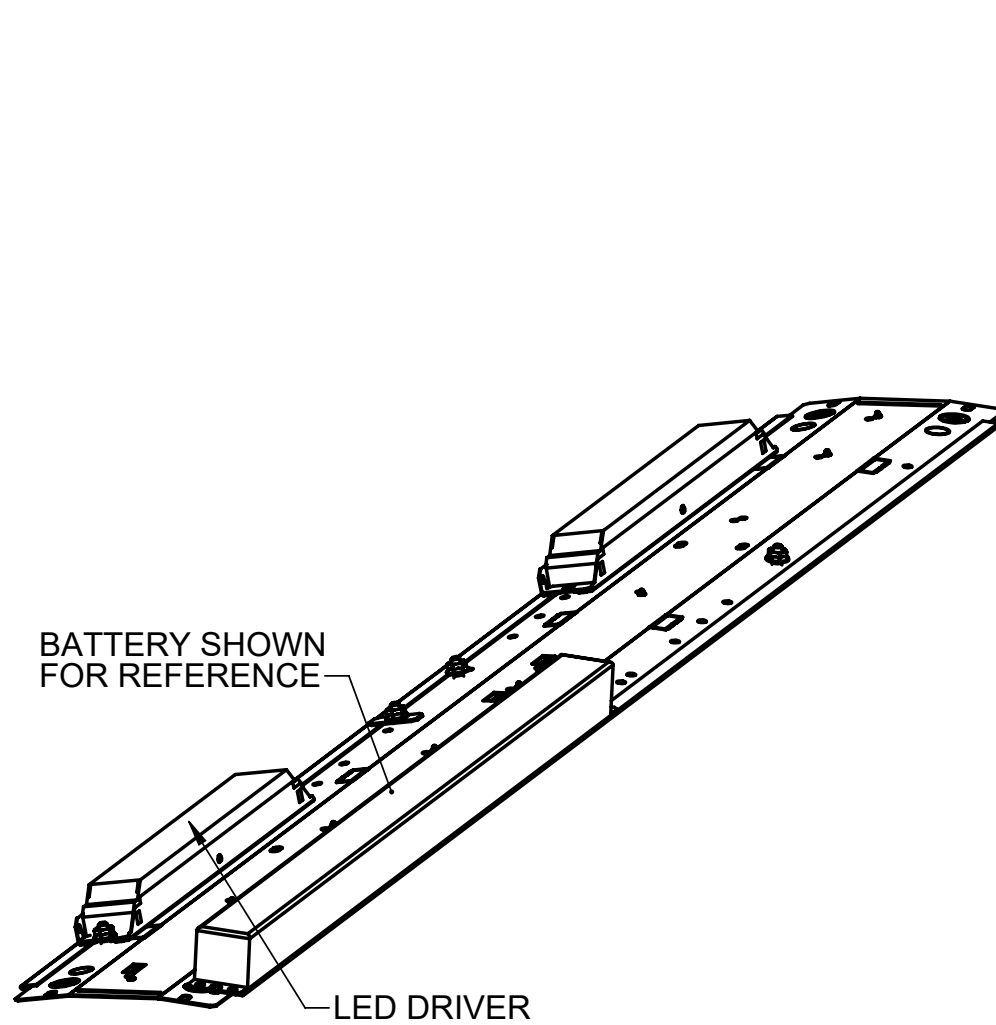
REMOVE LENS BY GENTLY UNSNAPPING IT FROM BOTTOM OF FIXTURE.

9 UP-LIGHT LED REFL ASSEMBLY REMOVAL



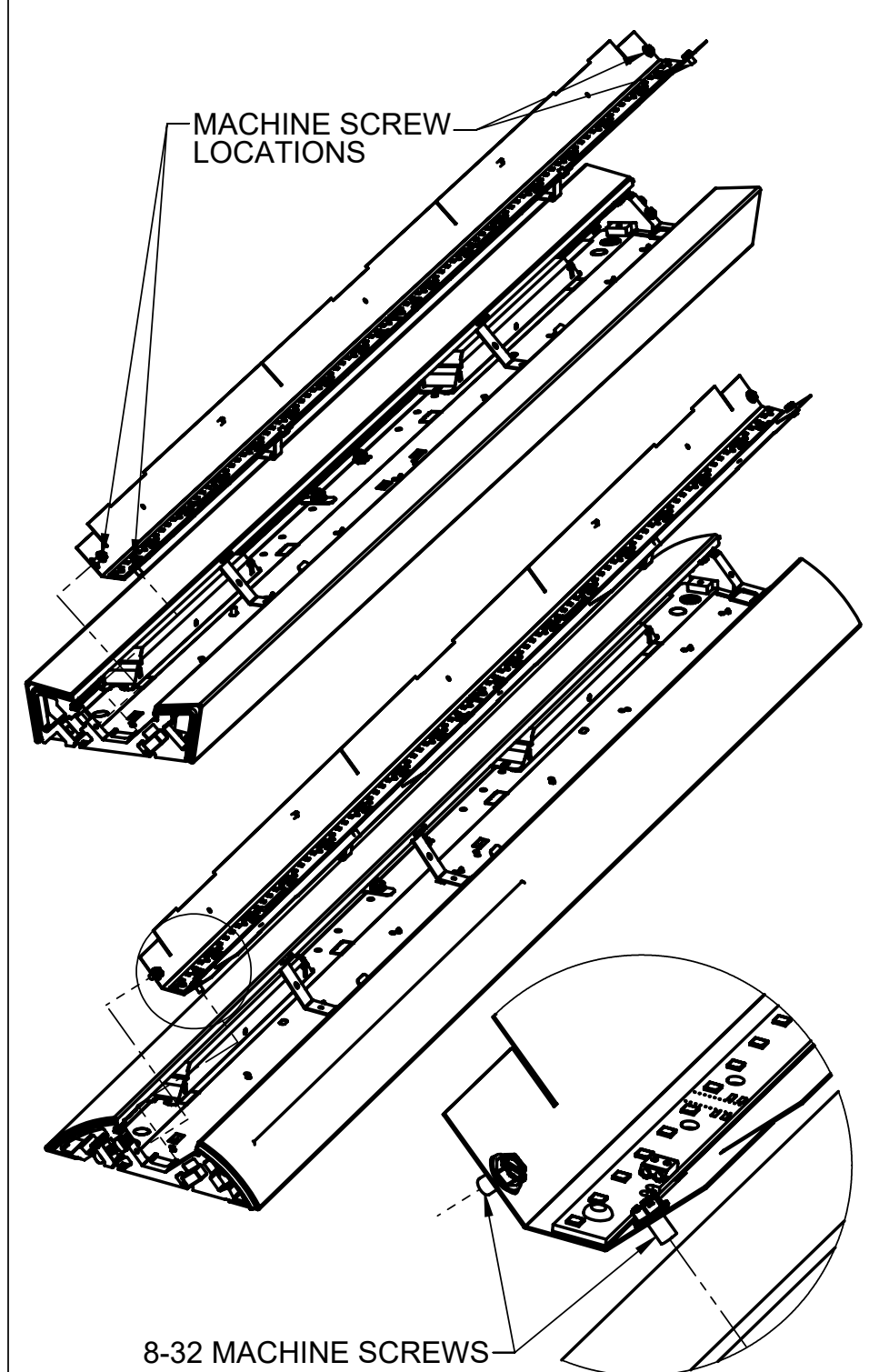
REMOVE THE (6) 8-32 SCREWS ON THE TOP OF THE UP-LIGHT LED MODULE AS SHOWN.

10 DRIVER REMOVAL



FLIP THE UPLIGHT LED MODULE OVER TO ACCESS THE DRIVERS FOR MAINTENANCE.

11 DOWN-LIGHT LED REFL ASSEMBLY REMOVAL



THE BOTTOM LED MODULE CAN BE REMOVED BY UNSCREWING (4) 8-32 SCREWS. (FIXTURE SHOWN UPSIDE DOWN FOR CLARITY)