

HORIZONTAL MOUNTING POSITION

POSITION	ANGLE (DEG)	WIDTH	HEIGHT
1	0	3.00"	2.42"
2	15	3.16"	2.40"
3	30	3.28"	2.37"
4	45	3.44"	2.31"
5	60	3.49"	2.24"
6	75	3.53"	2.04"
7	90	3.54"	1.92"

VERTICAL MOUNTING POSITION

POSITION	ANGLE (DEG)	WIDTH	HEIGHT
1	0	2.42"	3.00"
2	15	2.40"	3.16"
3	30	2.37"	3.28"
4	45	2.31"	3.44"
5	60	2.24"	3.49"
6	75	2.04"	3.53"
7	90	1.92"	3.54"

GENERAL NOTES: (READ SHEETS COMPLETELY BEFORE STARTING)

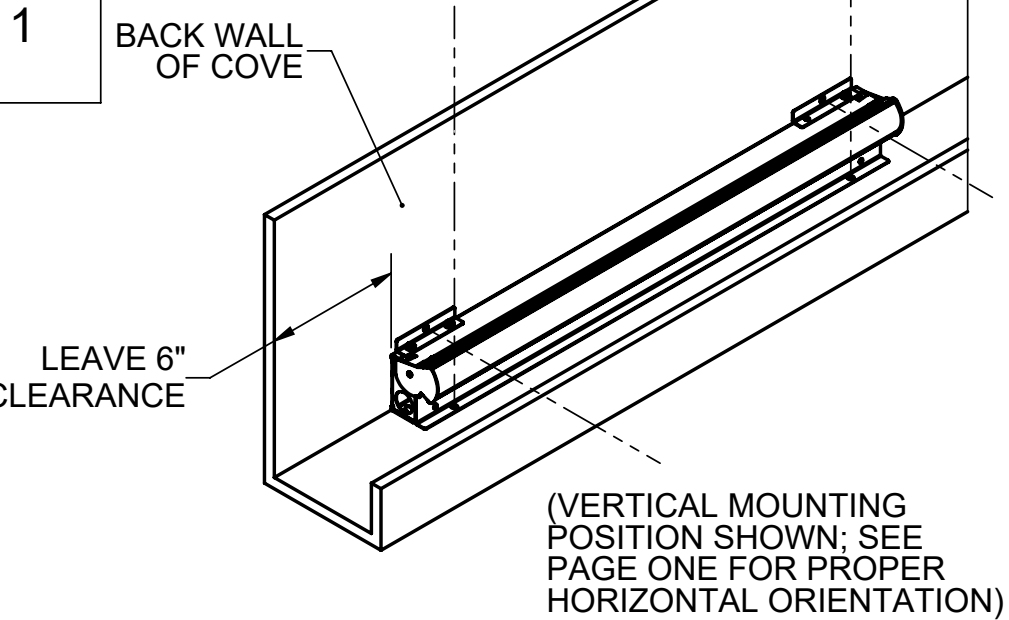
1. LEAVE PROTECTIVE WRAPPING MATERIAL ON FIXTURE UNTIL START OF INSTALLATION TO PROTECT FINISH FROM DAMAGE.
2. REFER TO SUPPLEMENTAL WIRING INSTRUCTION SHEET 510401 WHEN MAKING WIRING CONNECTIONS.

TOOLS REQUIRED

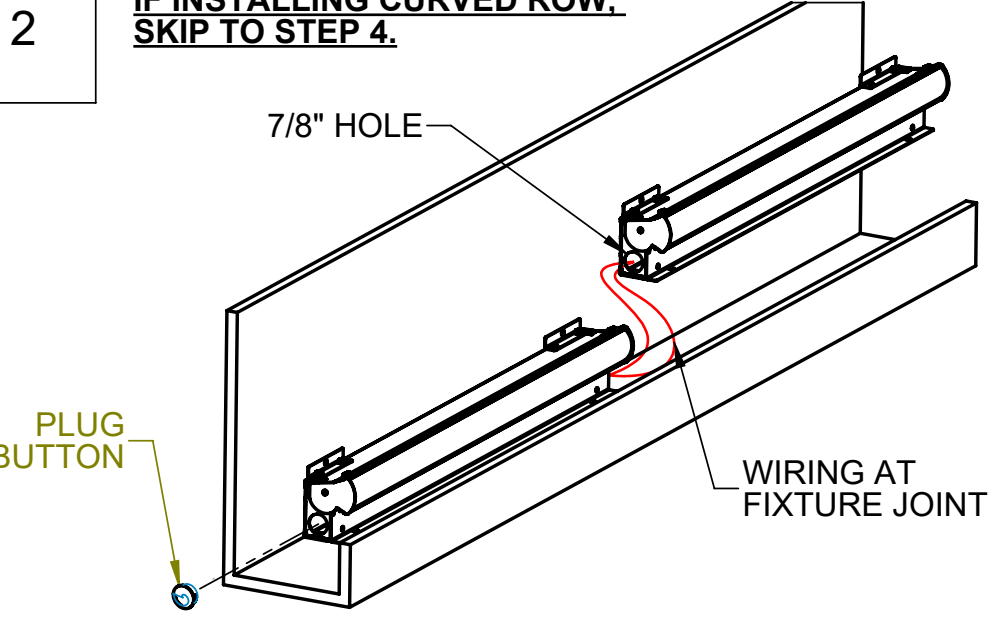
- SCREWDRIVER/DRILL

SUPPLIED BY INSTALLER

- MOUNTING SCREWS

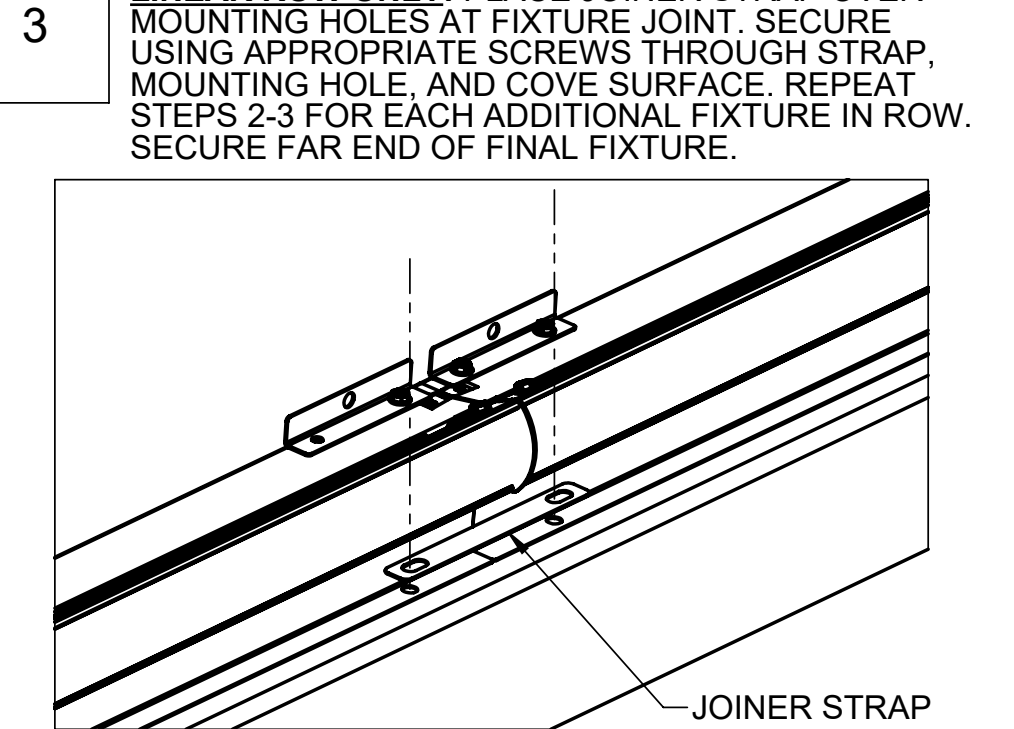


POSITION FIXTURE (FIRST FIXTURE OF ROW) IN COVE. SECURE USING APPROPRIATE SCREWS VIA .128" HOLES ON MOUNTING FEET OR ON HOUSING. IF INSTALLING LINEAR ROW, DO NOT SECURE FAR END AT THIS STEP. BRING ELECTRICAL FEED INTO FIXTURE; MAKE CONNECTIONS TO BRANCH CIRCUIT WIRES.



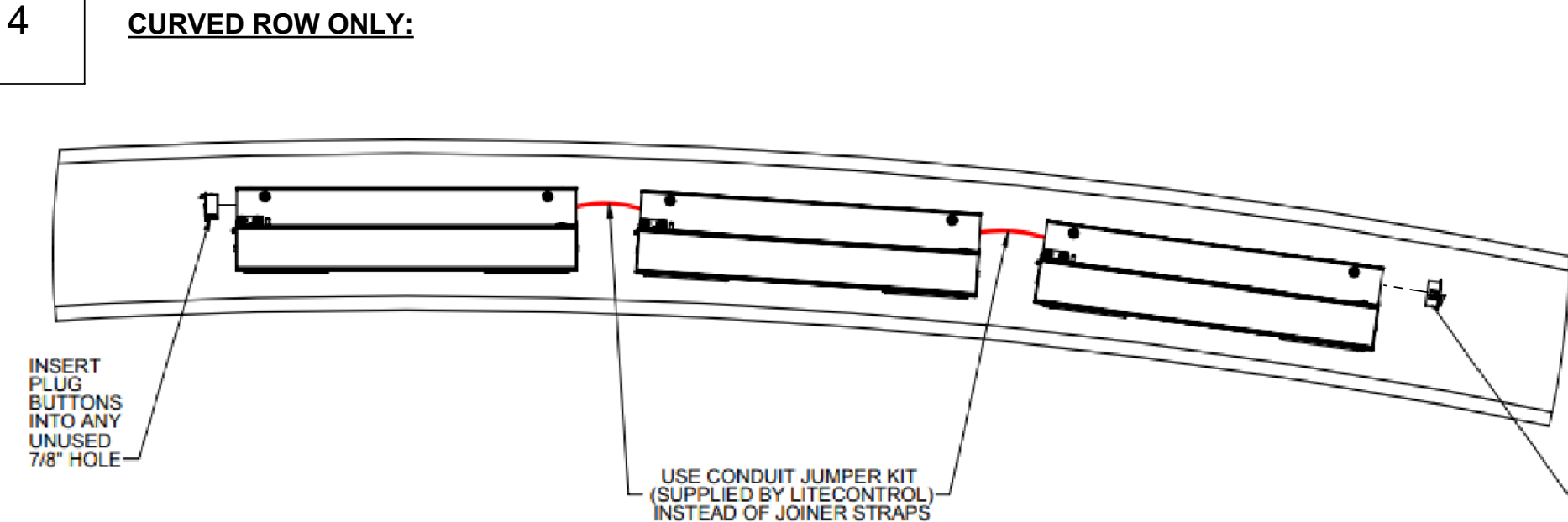
IF INSTALLING CURVED ROW, SKIP TO STEP 4.

LINEAR ROW ONLY: POSITION NEXT FIXTURE BUT DO NOT FASTEN. ROUTE BRANCH CIRCUIT WIRES THROUGH 7/8" HOLES AS SHOWN. PUSH ALL CONNECTIONS INTO FIXTURE. INSERT PLUG BUTTONS INTO UNUSED 7/8" HOLES.



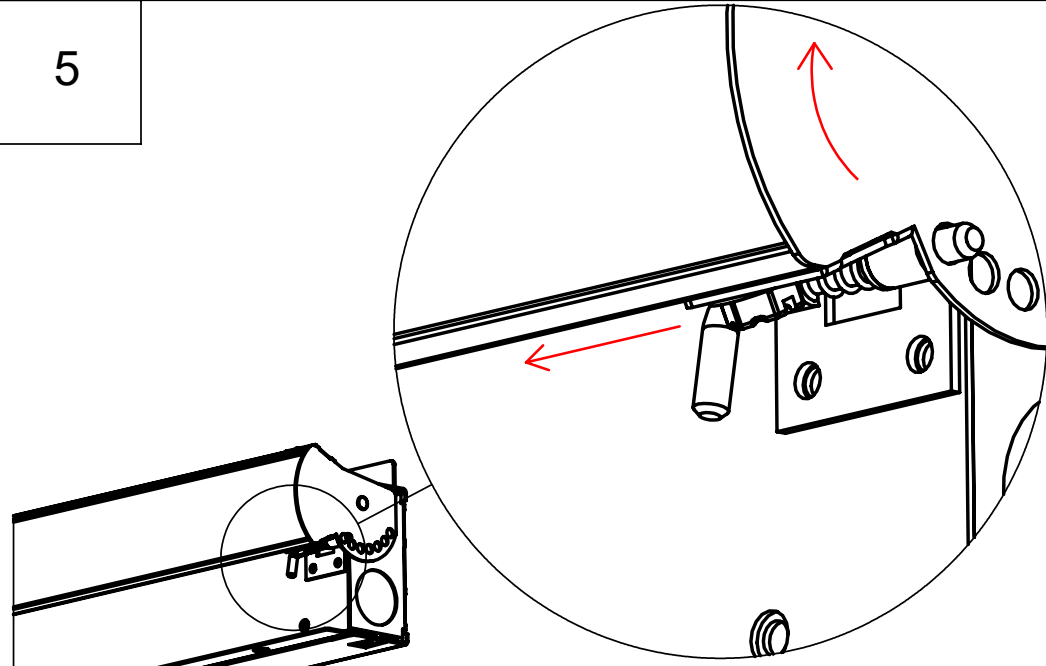
LINEAR ROW ONLY: PLACE JOINER STRAP OVER MOUNTING HOLES AT FIXTURE JOINT. SECURE USING APPROPRIATE SCREWS THROUGH STRAP, MOUNTING HOLE, AND COVE SURFACE. REPEAT STEPS 2-3 FOR EACH ADDITIONAL FIXTURE IN ROW. SECURE FAR END OF FINAL FIXTURE.

JOINER STRAP CAN BE SECURED OVER HOLES ON MOUNTING FEET OR OVER HOLES ON HOUSING (SHOWN). SELECTION SHOULD CORRESPOND WITH HOLE USED IN STEP 1.

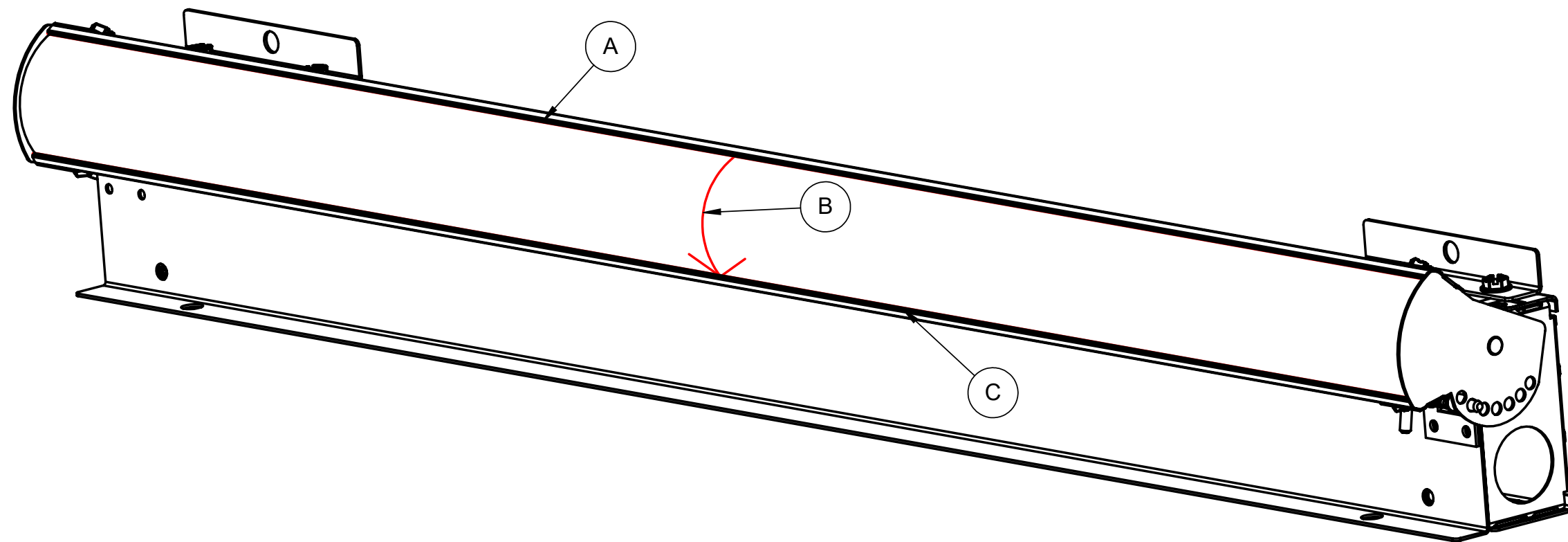


CURVED ROW ONLY:

POSITION ALL FIXTURES IN ROW. USE CONDUIT JUMPER KIT (PROVIDED BY LITECONTROL) TO MAKE ELECTRICAL CONNECTIONS BETWEEN FIXTURES. ROUTE VIA 7/8" HOLES. PLUG UNUSED 7/8" HOLES USING PLUG BUTTONS. SECURE FIXTURES PER STEP 1.



TO ADJUST FIXTURE ANGLE, PULL ADJUSTER PIN AS SHOWN AND ROTATE LED MODULE TO DESIRED POSITION. RELEASE ADJUSTER PIN AND ENSURE IT SNAPS INTO POSITIONING HOLE. REFER TO PAGE 1 FOR DETAILS.

**TO INSTALL FILM DIFFUSER, IF NECESSARY:**

- A. INSERT ONE SIDE OF THE DIFFUSER INTO THE GROOVE ON ONE SIDE OF THE LED MODULE.
- B. KEEPING THE DIFFUSER IN THE GROOVE, GENTLY CURVE THE DIFFUSER TOWARDS THE OTHER SIDE OF THE LED MODULE AS SHOWN.
- C. INSERT THE FREE SIDE OF THE DIFFUSER INTO THE GROOVE ON THE OTHER SIDE OF THE LED MODULE.