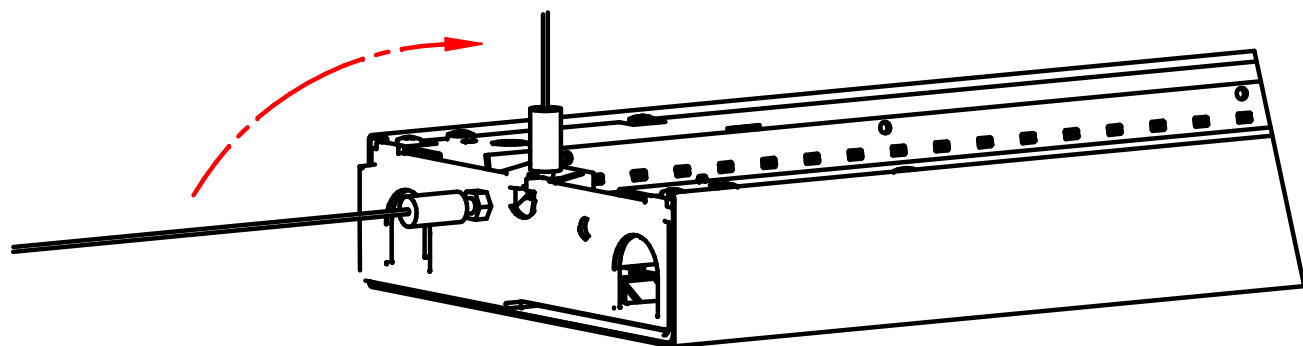


NOTE: SAE104 SHOWN FOR REFERENCE.  
 SAE105 & SAE106 HAVE SAME/SIMILAR FINAL ASSEMBLY.

| TOOLS REQUIRED   | SUPPLIED BY INSTALLER  |
|--|--|
| <ul style="list-style-type: none"> <li>- Hex driver/wrench</li> <li>- Wire cutters</li> <li>- Screwdriver/drill</li> </ul> | <ul style="list-style-type: none"> <li>- Wire Connectors (for power feed)</li> </ul> |

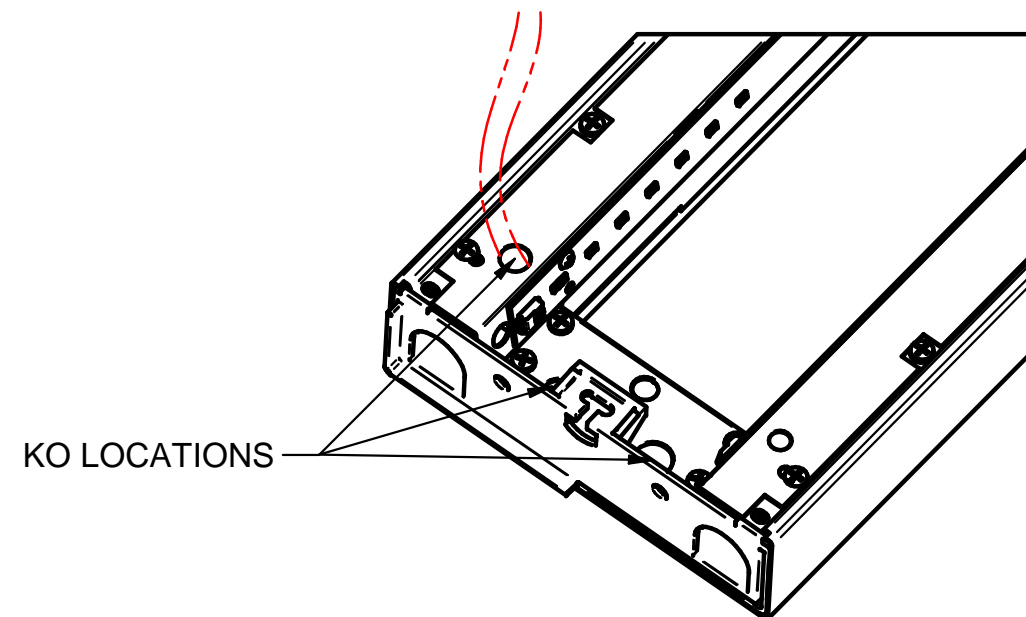
1

NOTE: Before installation, refer to Row Suspension Mountin Detail on page 1.



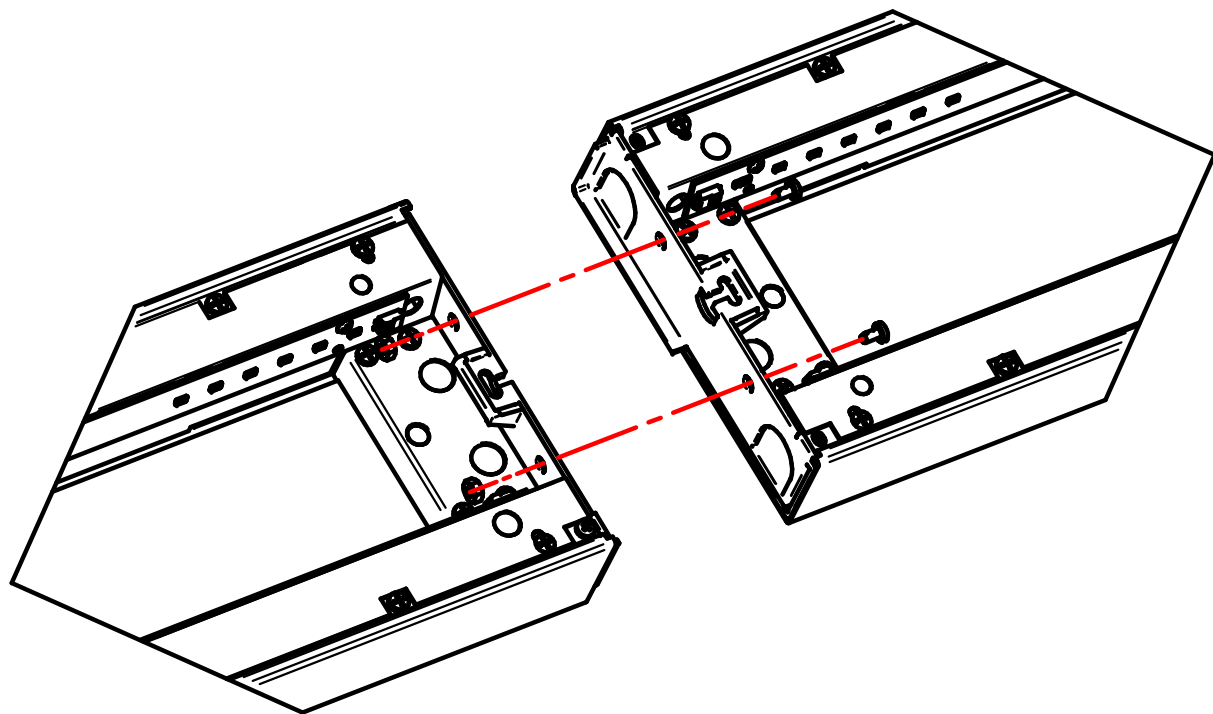
Pre-hang FAI kits and feed drops then insert single point suspension nuts into end hanger to mount fixtures on to ceiling. Refer to Suspension instruction sheet 510481.

2



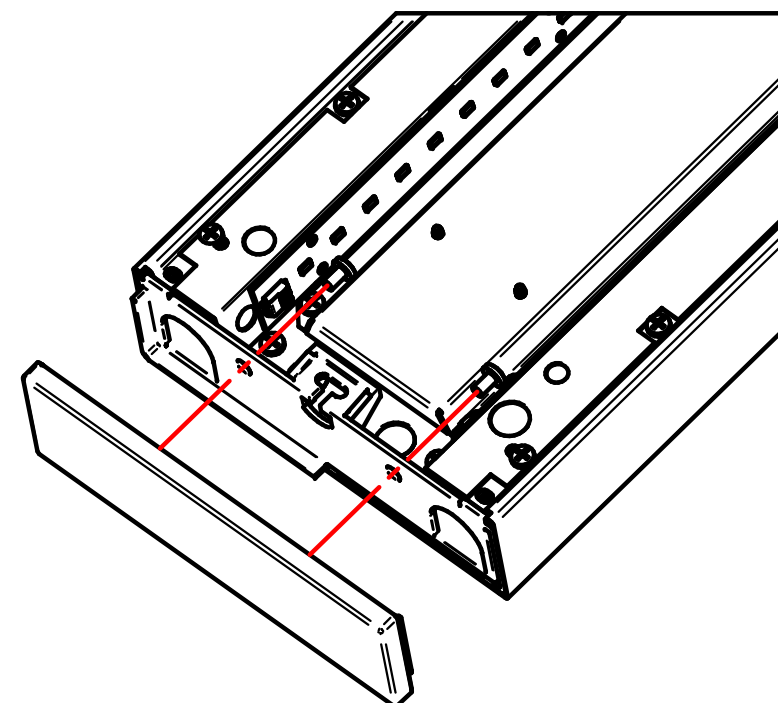
Remove any of the KO on the top LED Module assembly, insert bushing and feed power cord through KO locations near suspension points.

3

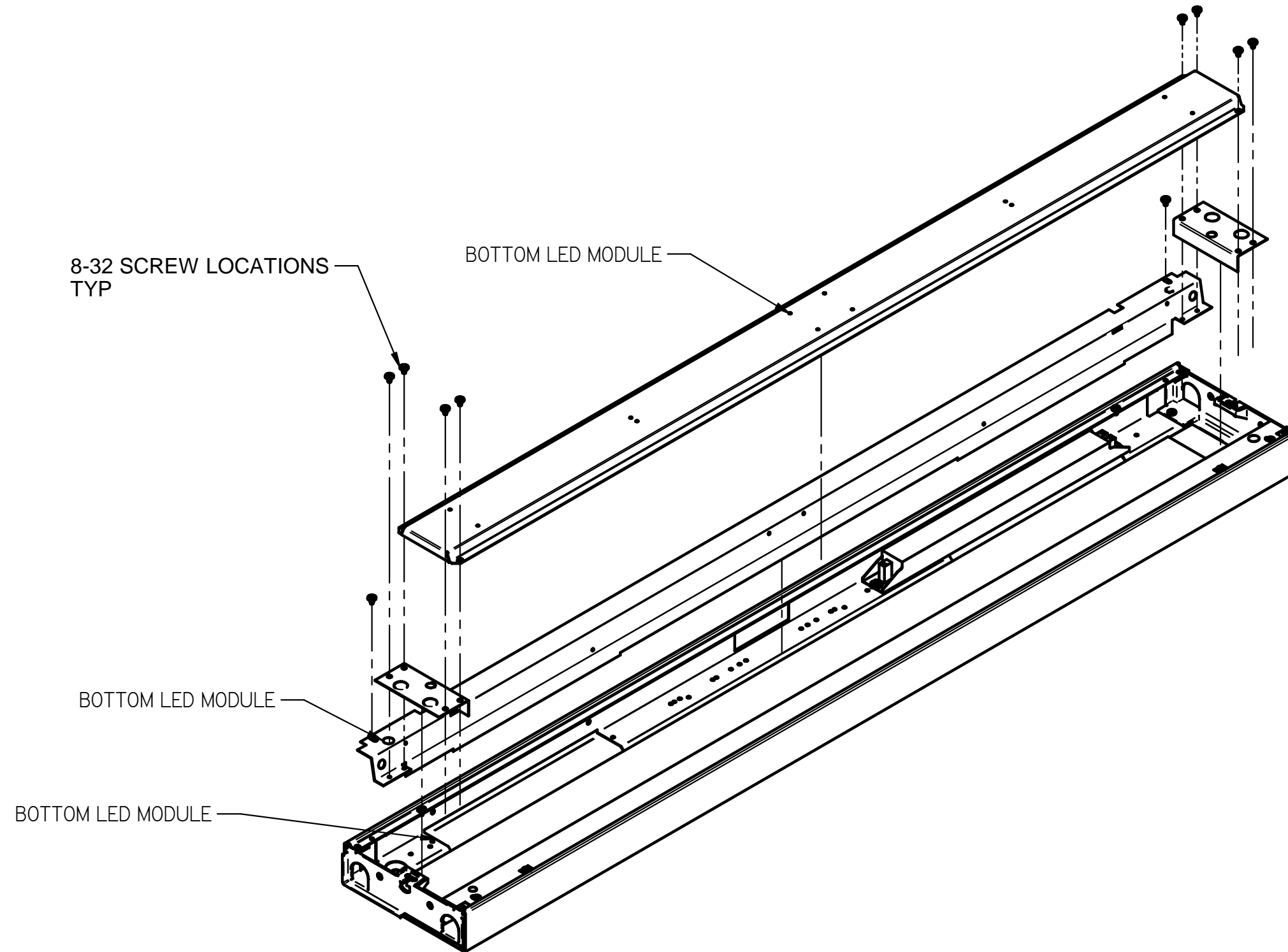


For row mounted fixtures, slide the end headers into their respective slots and attach with two 10-32 machine screws and hex nuts (provided).

4

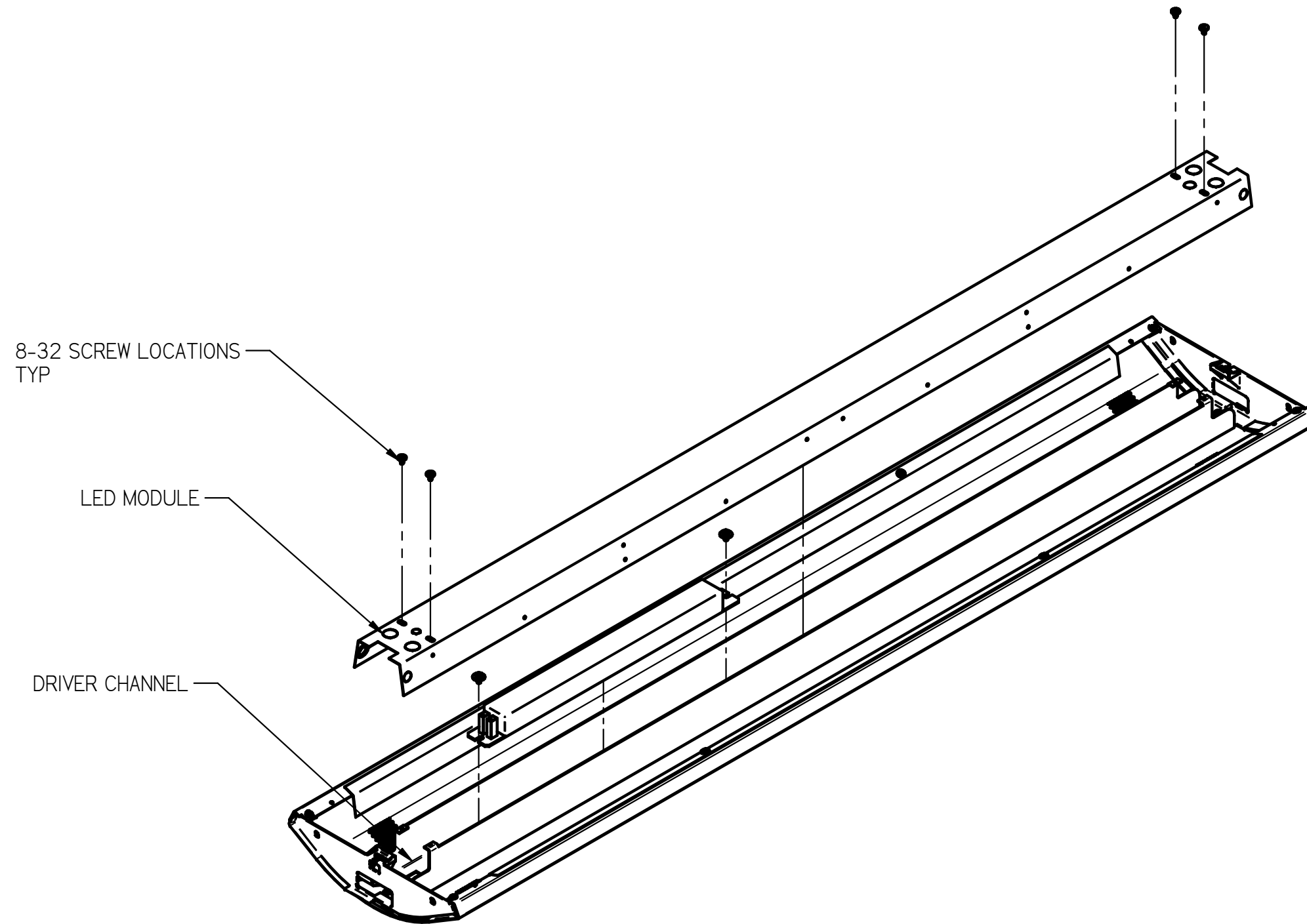


Install end caps by sliding into end headers and attaching with two 10-32 machine screws (provided).

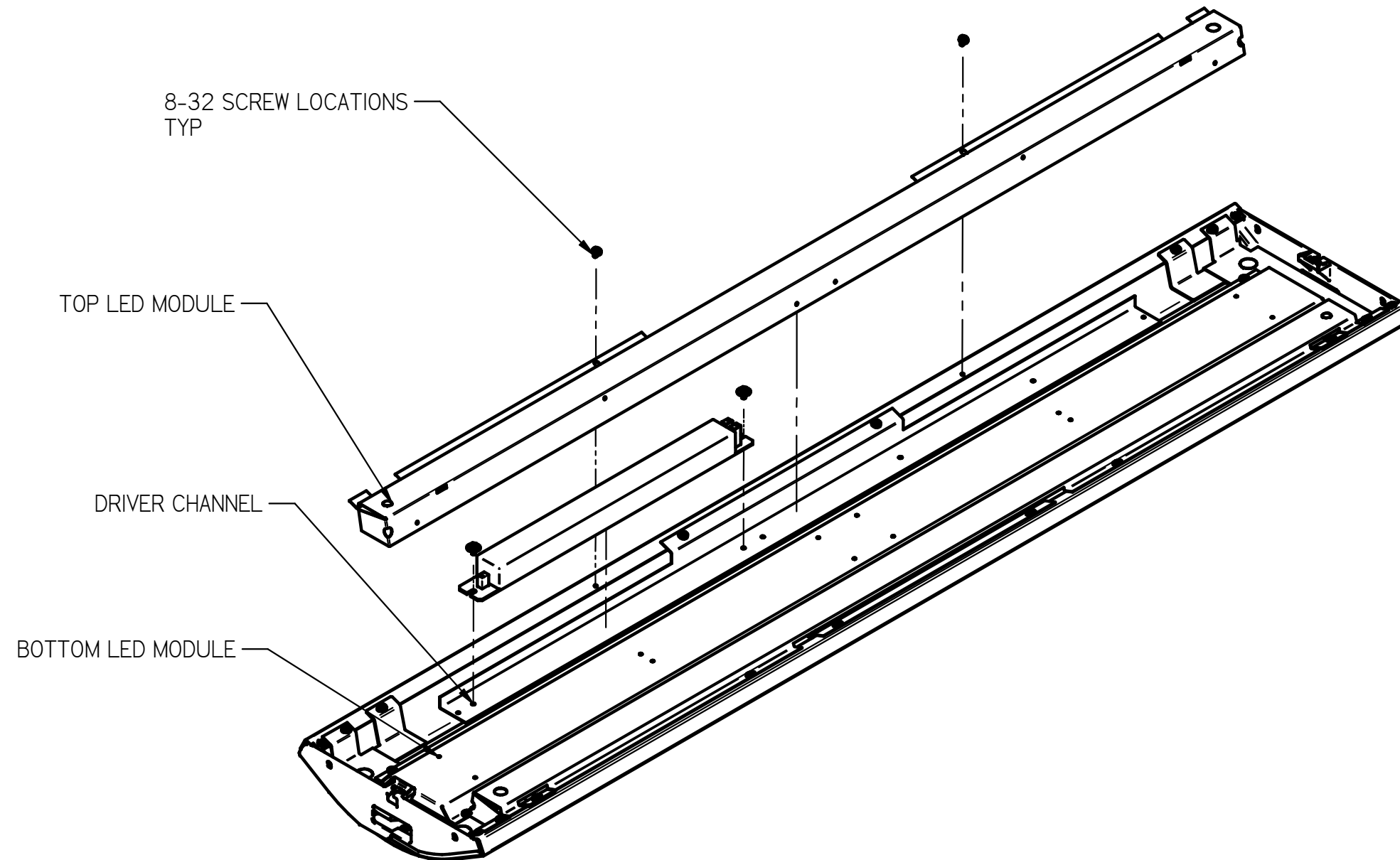


1. Remove four 8-32 screws to remove bottom LED module
2. Remove four remaining 8-32 screws on each side reflector to remove top LED modules

3. Driver channel is accessible by removing top LED modules



1. Remove four 8-32 screws to remove LED module.
2. Driver channel is accessible after removing the LED module.



1. Remove four 8-32 screws to remove bottom LED module
2. Remove two 8-32 screws on each side reflector to remove top LED modules

3. Driver channel is accessible by removing top LED modules