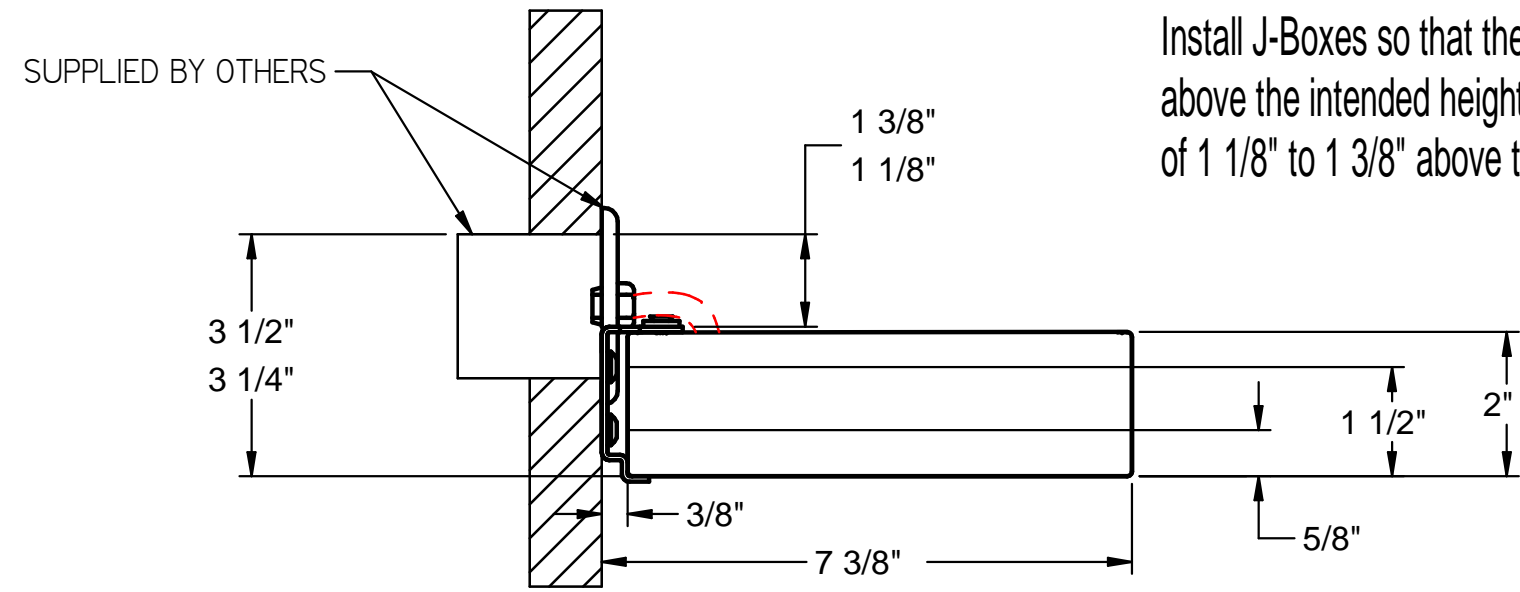
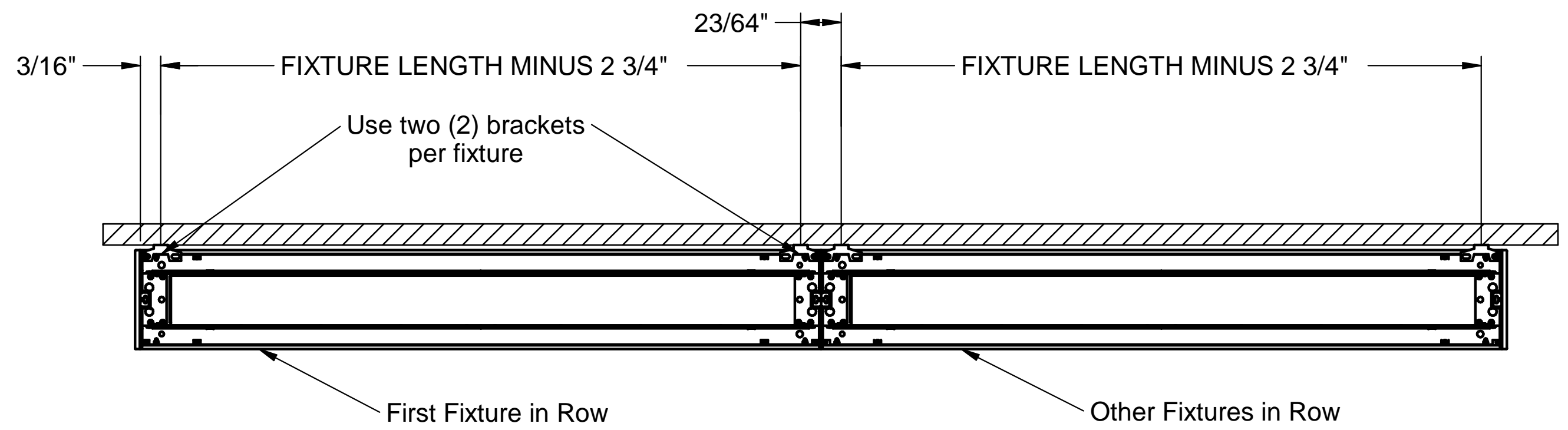


TOOLS REQUIRED	SUPPLIED BY INSTALLER
<ul style="list-style-type: none"> - Hex driver/wrench - Wire cutters - Screwdriver/drill 	<ul style="list-style-type: none"> - Wire Connectors (for power feed) - 2x4 J-box & Cover

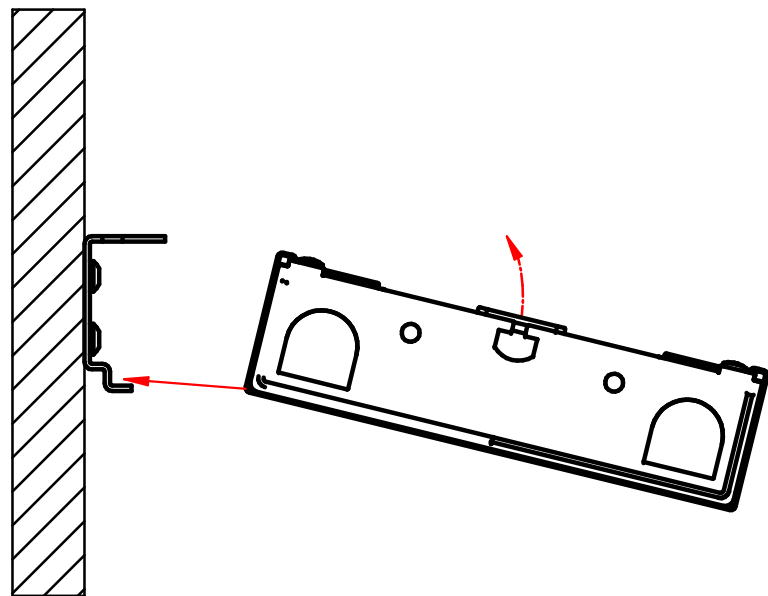


Install J-Boxes so that the top of the openings are 3 1/4" to 3 1/2" above the intended height of the fixture. This will give a J-Box opening of 1 1/8" to 1 3/8" above the top of the wall bracket/fixture.



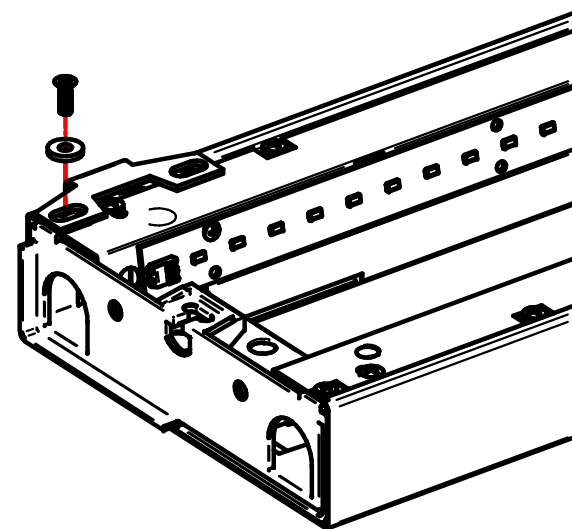
1

NOTE: Before installation, refer to Row Bracket Mountin Detail on page 1 & 2.



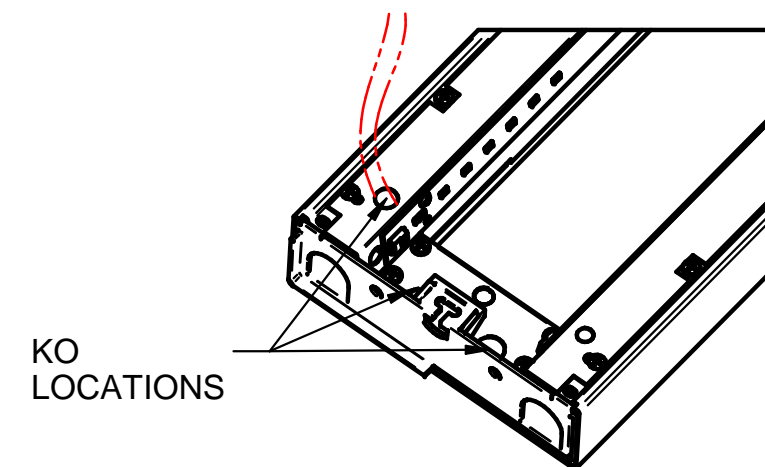
Pre-hang mounting brackets and feed cords then pivot fixture into mounting bracket to mount fixtures on to wall.

2



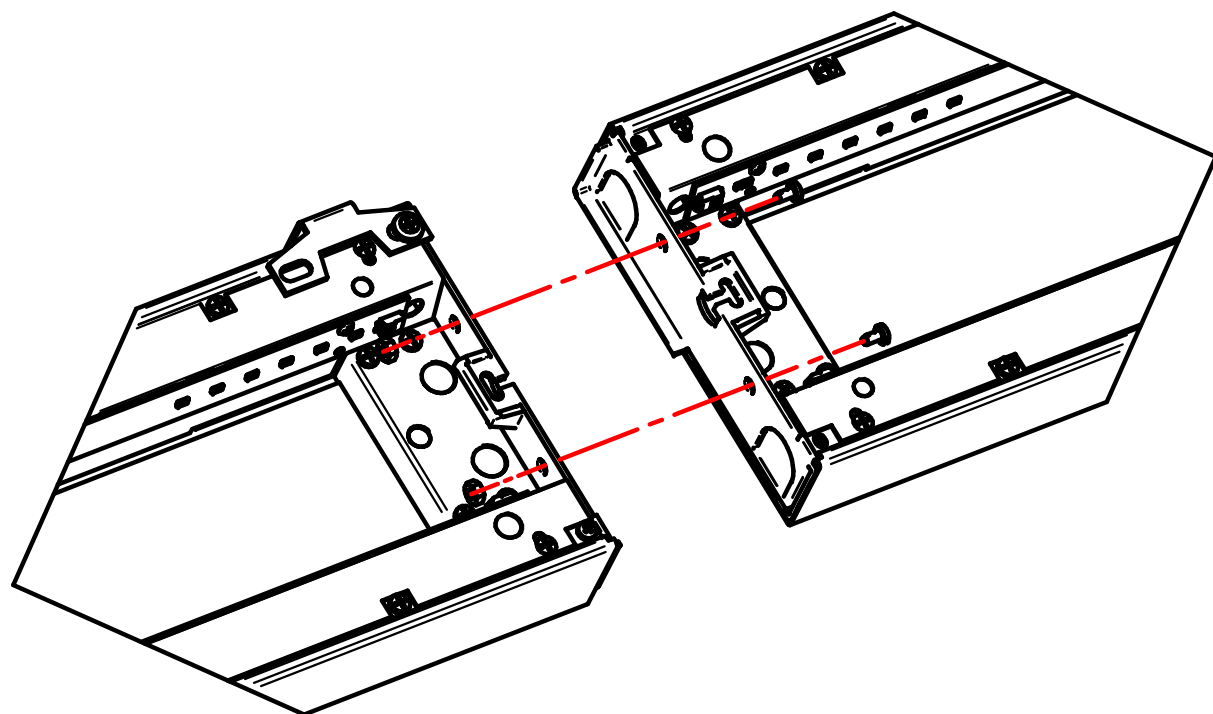
Remove existing #8 screw and replace with flat head screw and washer (provided). Ensure provided screw attaches to casting.

3



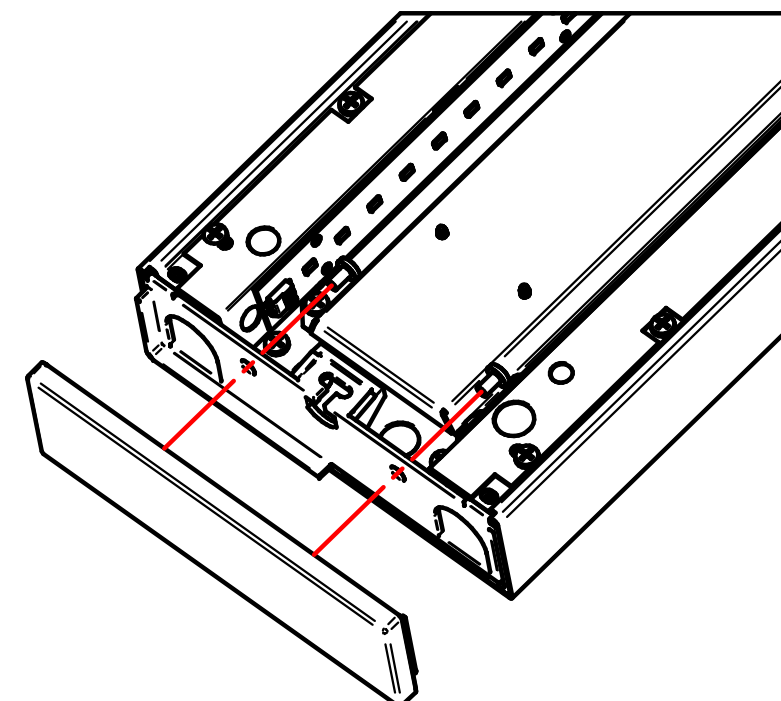
Remove any of the KO on the fixture, insert bushing and feed power cord near mounting brackets.

4

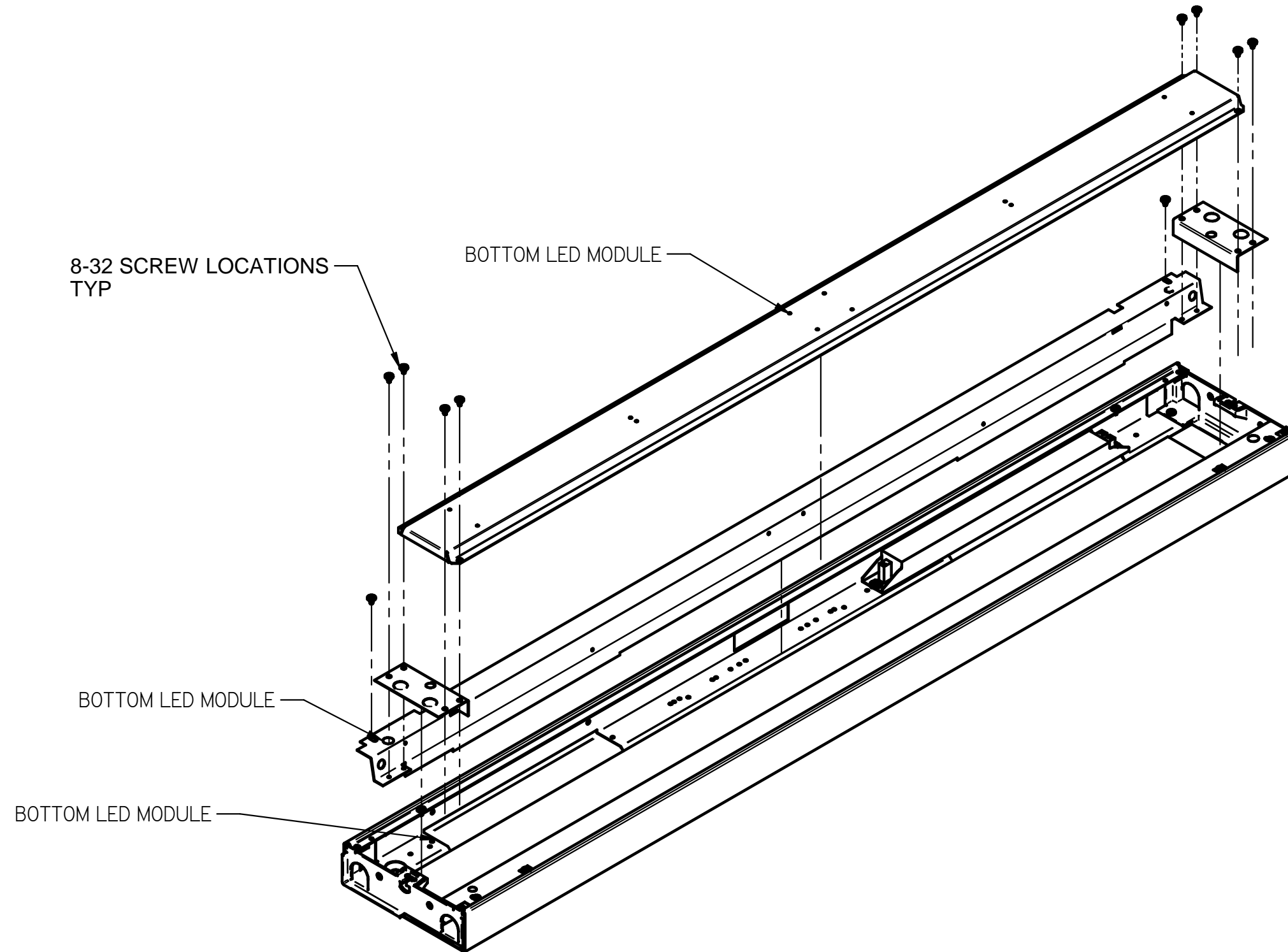


For row mounted fixtures, slide the end headers into their respective slots and attach with two 10-32 machine screws and hex nuts (provided).

5



Install end caps by sliding into end headers and attaching with two 10-32 machine screws (provided).



1. Remove four 8-32 screws to remove bottom LED module
2. Remove four remaining 8-32 screws on each side reflector to remove top LED modules

3. Driver channel is accessible by removing top LED modules