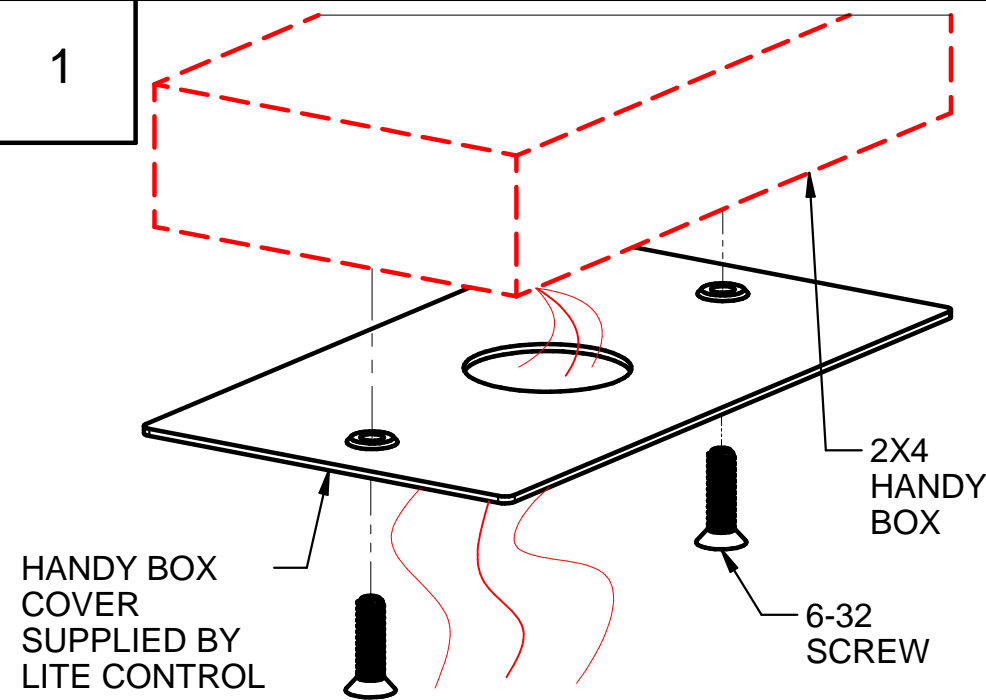


- GENERAL NOTES: (READ SHEETS COMPLETELY BEFORE STARTING)**
1. LEAVE PROTECTIVE WRAPPING ON FIXTURE(S) UNTIL START OF INSTALLATION.
 2. FIXTURES ARE SUPPLIED WITH FACTORY-INSTALLED BRANCH CIRCUIT WIRING. REFER TO SUPPLEMENTAL INSTRUCTION SHEET 510401 WHEN MAKING CONNECTIONS.
 3. APPROXIMATE WEIGHT OF FIXTURE IS 2 LBS PER FOOT OF LENGTH.
 4. BATTERY PACK FIXTURES TEST SWITCH LOCATED ON SIDE OF HOUSING.

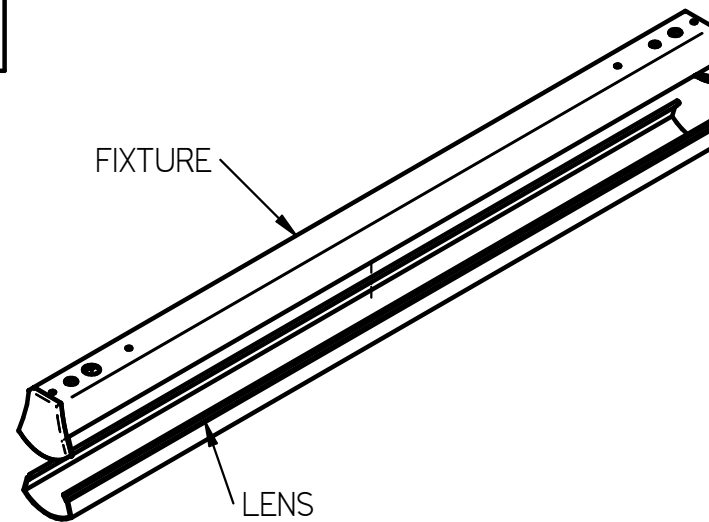
TOOLS REQUIRED	SUPPLIED BY INSTALLER
- SCREWDRIVER/DRILL - 11/32" NUT DRIVER	MOUNTING SCREWS TO MOUNT FIXTURE TO WALL OR CEILING

1



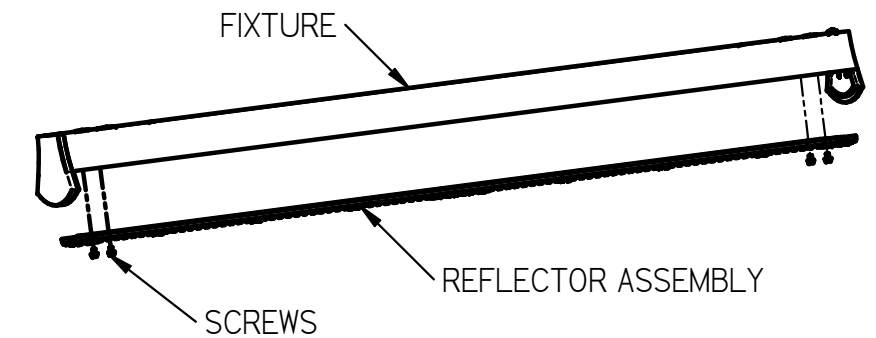
AT FEED LOCATION, ROUTE WIRING FROM 2X4 J BOX THROUGH 7/8" HOLE IN J BOX COVER PLATE. ATTACH COVER PLATE TO J BOX USING 6-32 SCREWS PROVIDED.

2



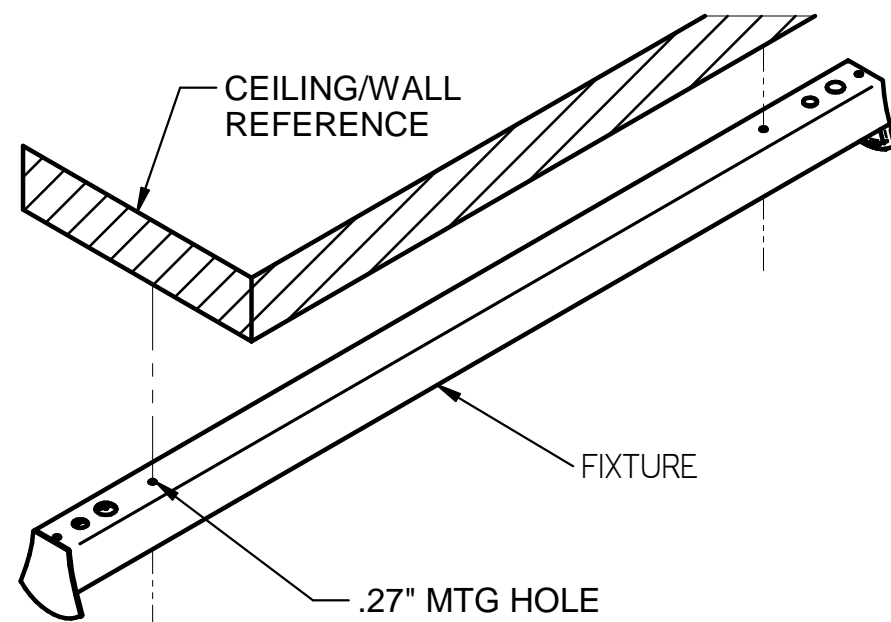
TO REMOVE LENS, START AT ONE END OF FIXTURE, GENTLY SQUEEZE SIDES OF LENS. MOVING ALONG LENGTH OF FIXTURE, CONTINUE TO GENTLY SQUEEZE SIDES OF LENS, RELEASING LENS LIP FROM HOUSING, PIVOT LENS TO ONE SIDE. GENTLY WORK LENS OUT OF END HEADERS.

3



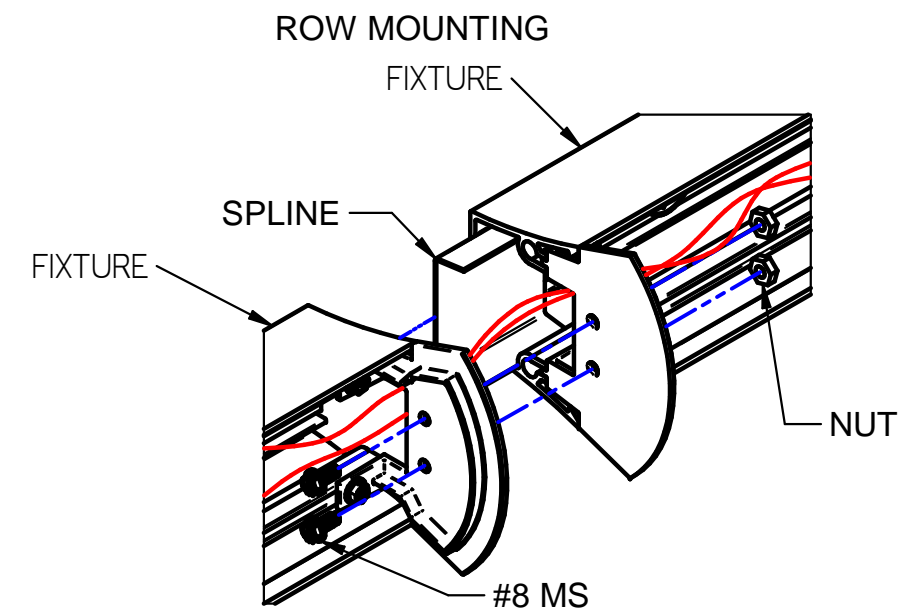
REMOVE REFLECTOR ASSEMBLY FROM FIXTURE(S) BY DETACHING (4) SCREWS.

4



SECURE FIXTURE TO CEILING OR WALL USING (2) ANCHOR SCREWS (PROVIDED BY OTHERS). INSERT THROUGH MOUNTING HOLES IN TOP OF FIXTURE HOUSING (6" FROM END OF FIXTURE); REFER TO PAGE 1.

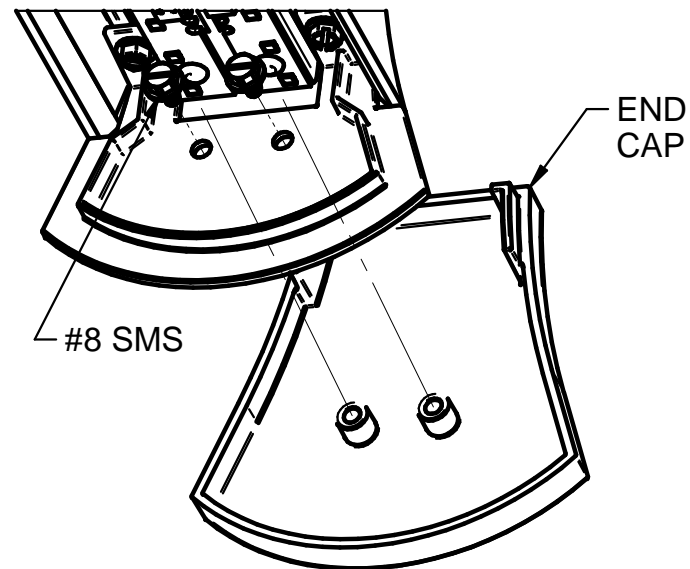
5



INSERT SPLINE INTO NEXT FIXTURE IN ROW AS SHOWN, THEN SLIDE PROTUDING END INTO PREVIOUS FIXTURE TO JOIN FIXTURES TOGETHER. ANCHOR NEW FIXTURE PER STEP 4. SECURE FIXTURE JOINT USING (2) 8-32 MACHINE SCREWS AND NUTS. TIGHTEN ALL FASTENERS AFTER ALIGNING ADJOINING FIXTURES. ROUTE WIRING THROUGH JOINT. REPEAT FOR EACH ADDITIONAL FIXTURE IN ROW.

6

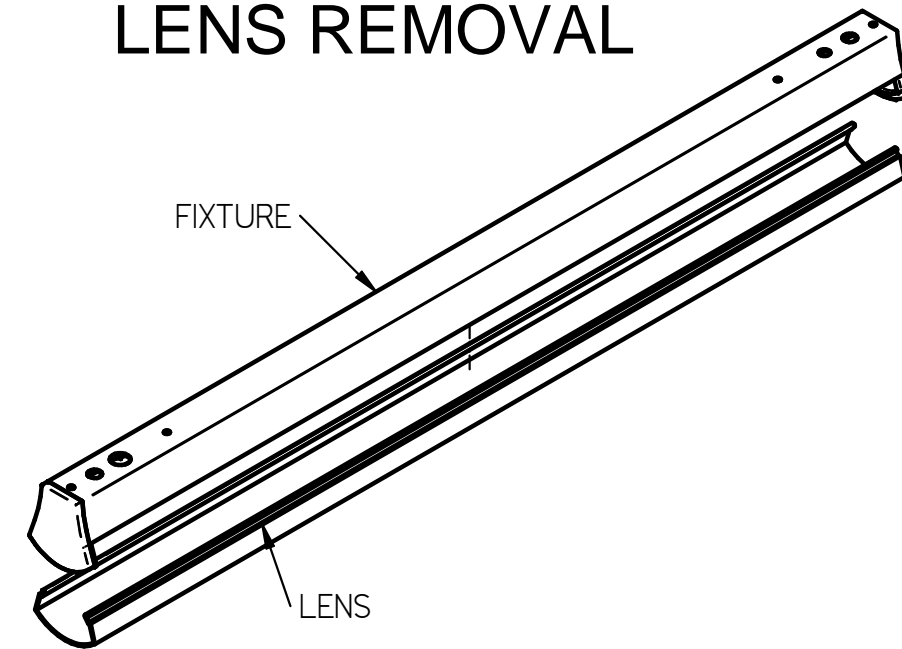
END CAP REMOVAL



REMOVE END CAP AT BOTH ENDS OF INDIVIDUAL FIXTURE OR ROW OF FIXTURES BY REMOVING (2) #8 X 1/4" LONG SHEET METAL SCREWS.

7

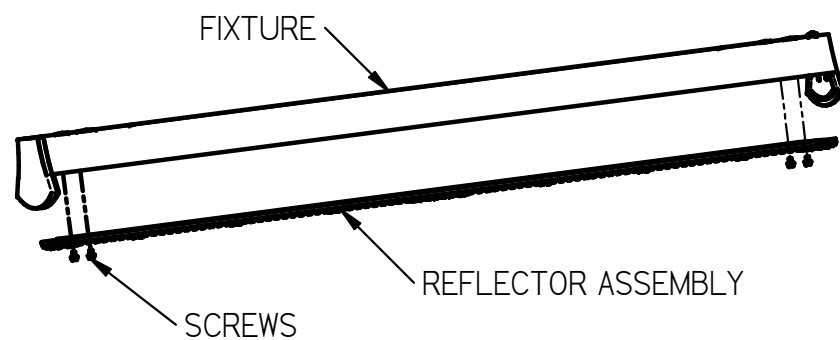
LENS REMOVAL



TO REMOVE LENS, START AT ONE END OF FIXTURE, GENTLY SQUEEZE SIDES OF LENS. MOVING ALONG LENGTH OF FIXTURE, CONTINUE TO GENTLY SQUEEZE SIDES OF LENS, RELEASING LENS LIP FROM HOUSING, PIVOT LENS TO ONE SIDE. GENTLY WORK LENS OUT OF END HEADERS. (TO REPLACE LENS REPEAT THE ABOVE STEPS IN REVERSE.)

8

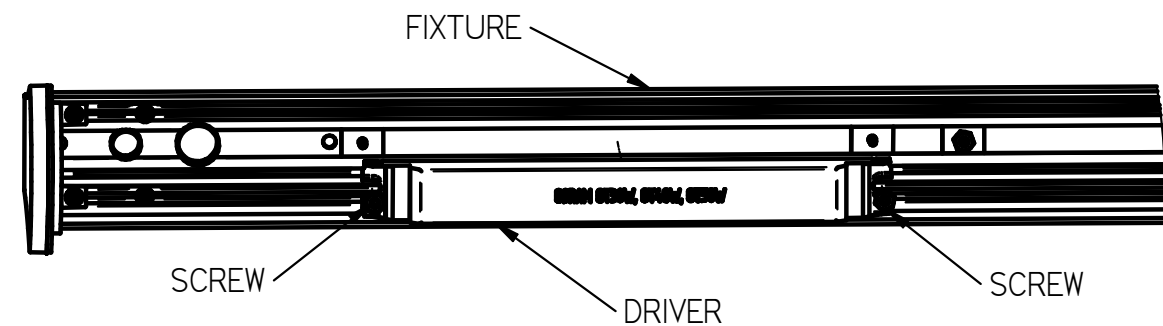
REFLECTOR ASSEMBLY REMOVAL



REMOVE REFLECTOR ASSEMBLY FROM FIXTURE(S) BY DETACHING (4) SCREWS. (TO REPLACE LED REFLECTOR ASSEMBLY REPEAT THE ABOVE STEPS IN REVERSE.)

9

DRIVER REMOVAL



BEFORE REMOVING DRIVER SEE STEPS 7 AND 8 FOR LENS AND LED REFLECTOR REMOVAL. REMOVE THE (2) SCREWS AS SHOWN AND REMOVE DRIVER.