

INSTALLATION  
INSTRUCTIONS

FIXTURE TYPE \_\_\_\_\_

WALLSLOT 6000  
SYSTEM CONNECTORS  
STRAIGHT EXTENSION [SE]

PG. 1 OF 4

P/C 510593-0000

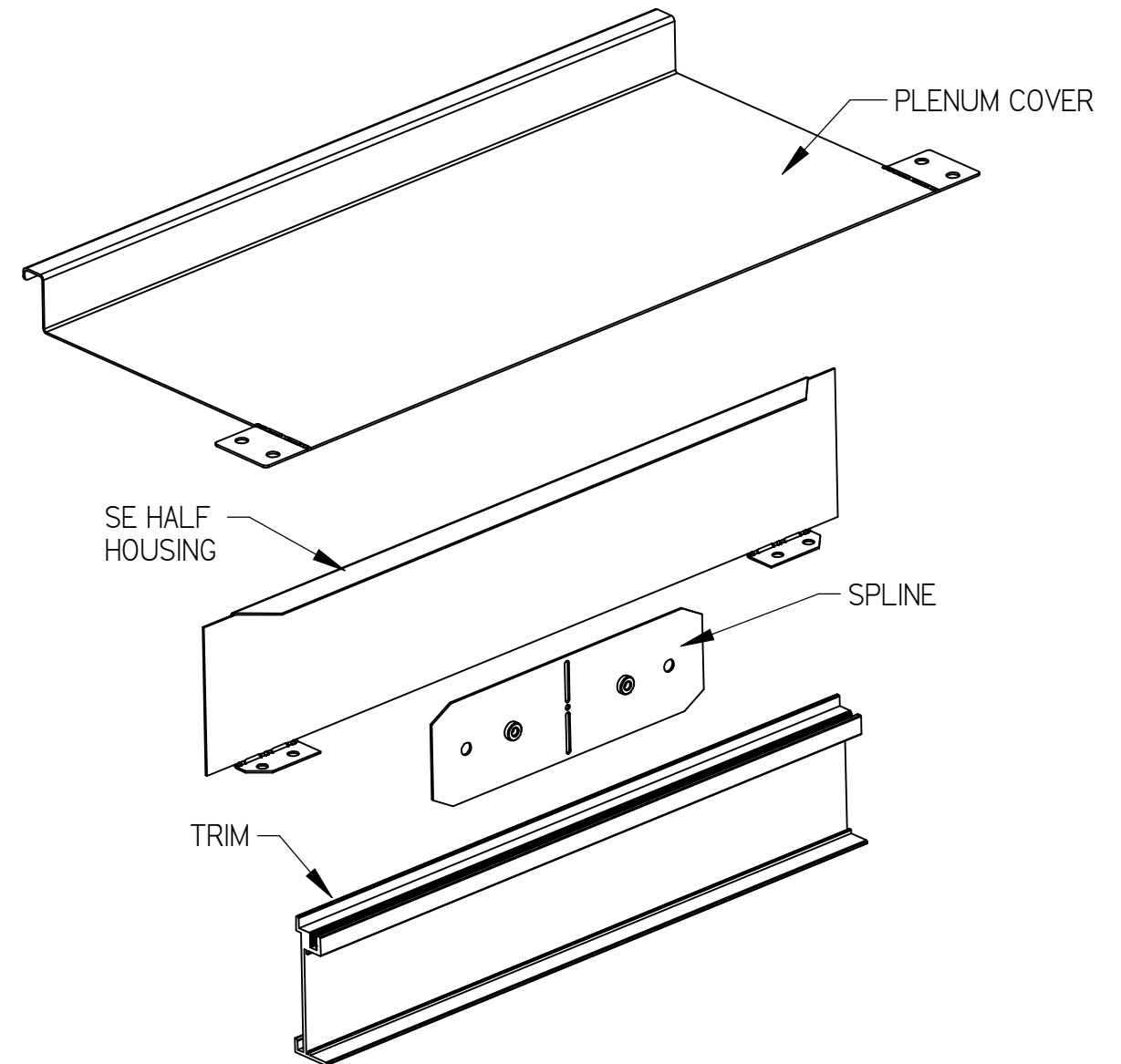
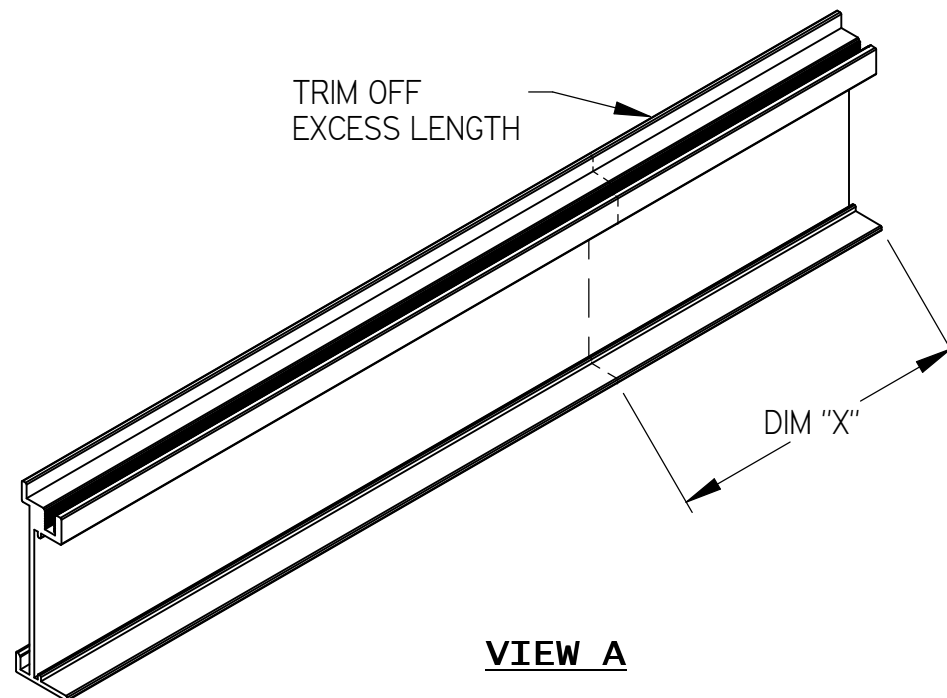
DO NOT MODIFY OR ALTER THIS PRODUCT IN ANY WAY, OR INSTALL IN ANY FASHION WHICH IS CONTRARY TO THE INSTRUCTIONS CONTAINED HEREIN.  
IF YOU HAVE ANY QUESTIONS REGARDING THIS PRODUCT OR THE INSTALLATION OF IT, PLEASE CALL LITECONTROL ENGINEERING AT 781-294-0100.

**NOTES: STRAIGHT EXTENSIONS (SE) ARE INSTALLED AT ENDS OF ROW TO CLOSE OFF CEILING OPENING.**

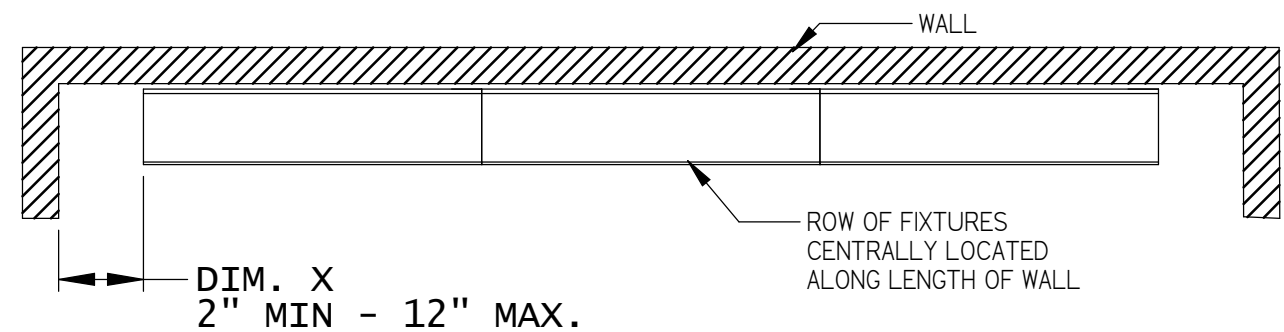
- A. FIXTURES MUST BE INSTALLED PRIOR TO ATTACHING STRAIGHT EXTENSIONS.
- B. STRAIGHT EXTENSIONS ARE SHIPPED SEPARATELY AND BULK PACKAGED.
- C. REFER TO PAGES 3 FOR INSTALLING 90 AND 135 DEGREE CORNERS.
- D. REFER TO PAGE 4 FOR INSTALLING PLENUM END CAPS.

**INSTRUCTIONS:**

1. WITH FIXTURES CENTRALLY POSITIONED IN ROW, MEASURE THE DISTANCE FROM END OF FIXTURE TO ADJACENT WALL SURFACE SHOWN IN PLAN VIEW AS DIM "X". SAWCUT ENDS OF TRIM AS SHOWN TO DIM "X" (VIEW A). IF FINAL FIXTURE IS 2' (ONLY), TRIM PLENUM COVER TO AVOID SET SCREW FOR WALL RAIL.
2. BEND SPLINE TO MATCH ADJACENT WALL AND INSERT BOTH SPLINES INTO GROOVE IN TRIM (VIEW B). TIGHTEN SPLINE BY INSERTING MACHINE SCREW INTO PEM NUTS INCLUDED IN SPLINE (VIEW C). ALIGN CUT TRIM WITH FIXTURE TRIM, AND SECURE WITH MOUNTING SCREWS (BY OTHERS) AS SEEN IN VIEW C.
3. ATTACH SE HOUSING TO LAST FIXTURE AND CUT TRIM. SCREW DOWN SE HOUSING TO TRIM USING PROVIDED MACHINE SCREWS. BEND OPPOSITE TAB UP TO AVOID INTERFERENCE WITH FIXTURE (VIEW B). ATTACH DOUBLE SIDED TAPE TO TOP TAB OF SE HOUSING.
4. BEND TAB ON PLENUM COVER 90 DEGREES FOR MOUNTING. PLACE PLENUM COVER ONTO DOUBLE SIDED TAPE ONTO SE HOUSING, AND OVER WALL RAIL. FASTEN TO WALL USING MOUNTING SCREWS (PROVIDED BY OTHERS).



**ITEMS SUPPLIED PER EACH SE KIT**



**PLAN VIEW OF ROW**

INSTALLATION  
INSTRUCTIONS

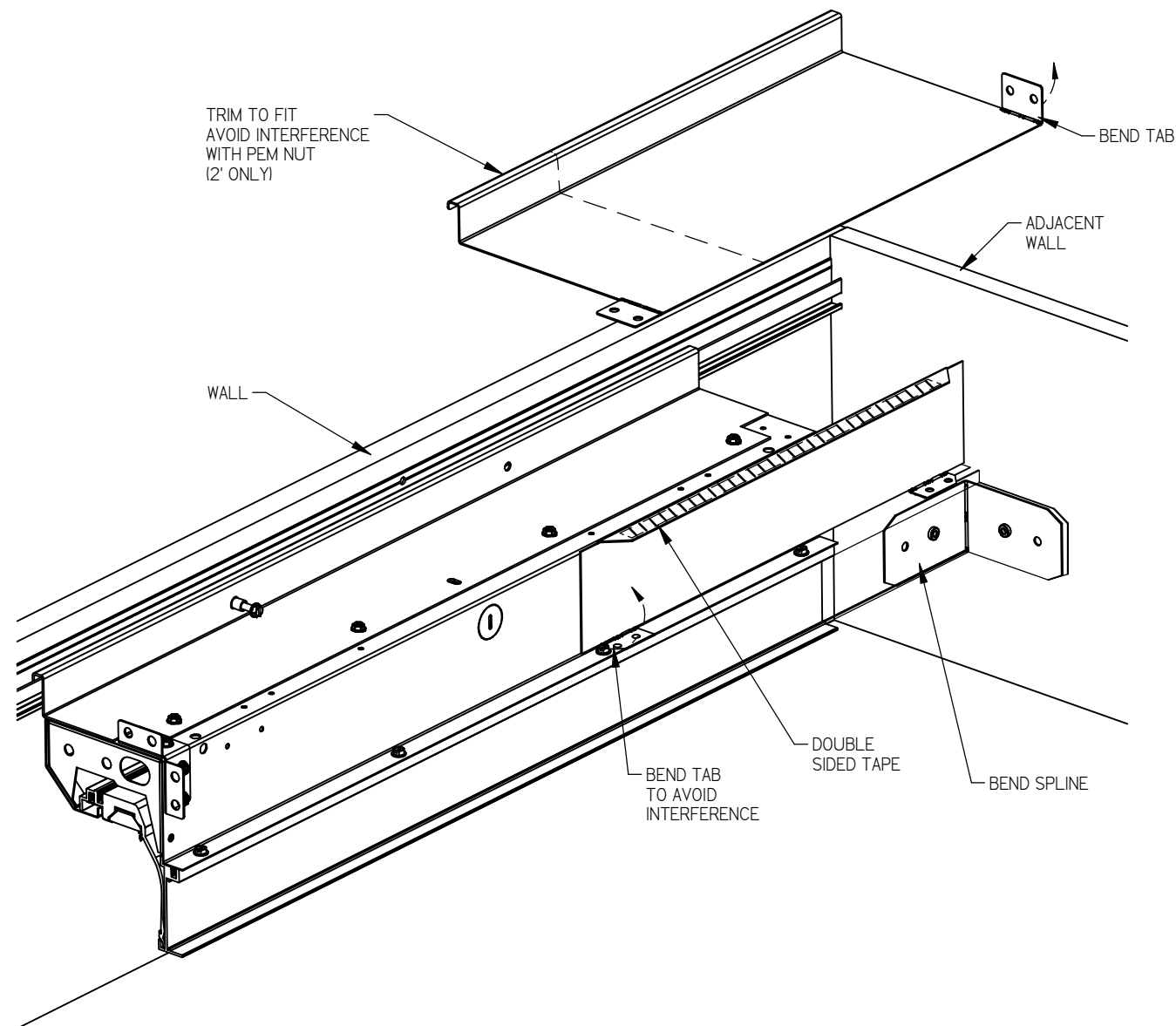
FIXTURE TYPE \_\_\_\_\_

WALLSLOT 6000  
SYSTEM CONNECTORS  
STRAIGHT EXTENSION [SE]

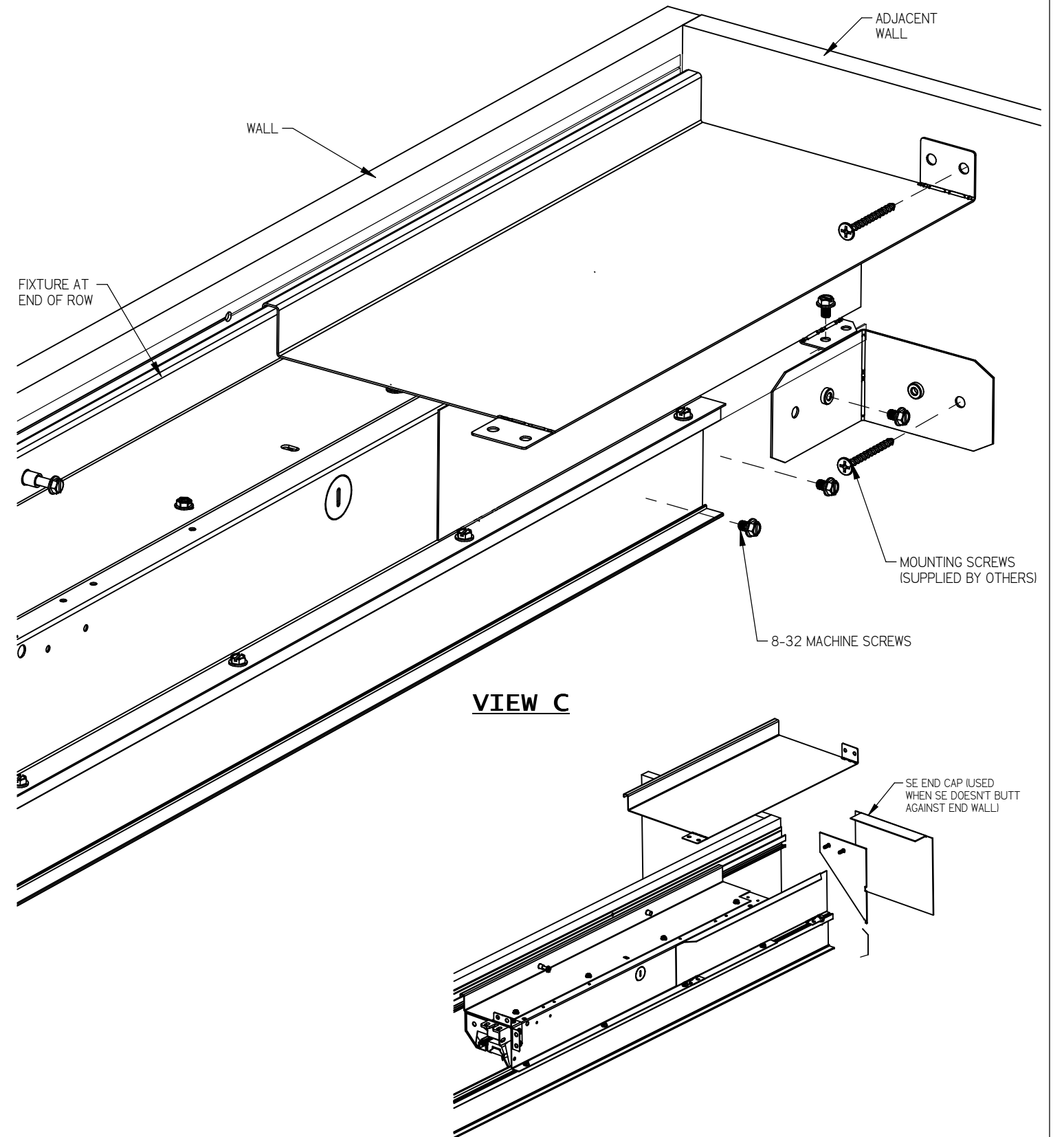
PG. 2 OF 4

P/C 510593-0000

DO NOT MODIFY OR ALTER THIS PRODUCT IN ANY WAY, OR INSTALL IN ANY FASHION WHICH IS CONTRARY TO THE INSTRUCTIONS CONTAINED HEREIN. IF YOU HAVE ANY QUESTIONS REGARDING THIS PRODUCT OR THE INSTALLATION OF IT, PLEASE CALL LITECONTROL ENGINEERING AT 781-294-0100.



**VIEW B**



**VIEW C**

INSTALLATION  
INSTRUCTIONS

FIXTURE TYPE \_\_\_\_\_

**WALLSLOT 6000  
SYSTEM CONNECTORS  
90 IC/OC AND 135 AIC/AOC**

PG. 3 OF 4

P/C 510593-0000

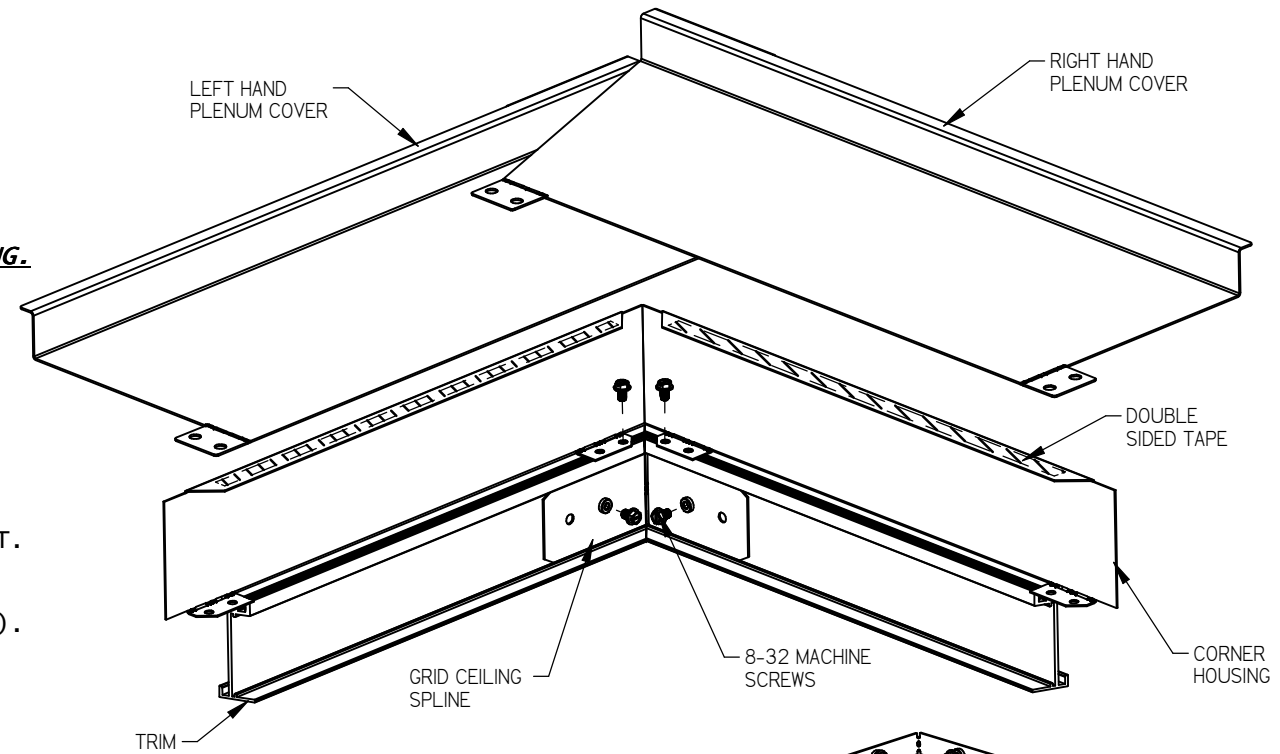
DO NOT MODIFY OR ALTER THIS PRODUCT IN ANY WAY, OR INSTALL IN ANY FASHION WHICH IS CONTRARY TO THE INSTRUCTIONS CONTAINED HEREIN.  
IF YOU HAVE ANY QUESTIONS REGARDING THIS PRODUCT OR THE INSTALLATION OF IT, PLEASE CALL LITECONTROL ENGINEERING AT 781-294-0100.

**NOTES: INSIDE (IC, AIC) AND OUTSIDE (OC, AOC) CORNERS ARE INSTALLED AT ENDS OF ROW TO CLOSE OFF CEILING OPENING.**

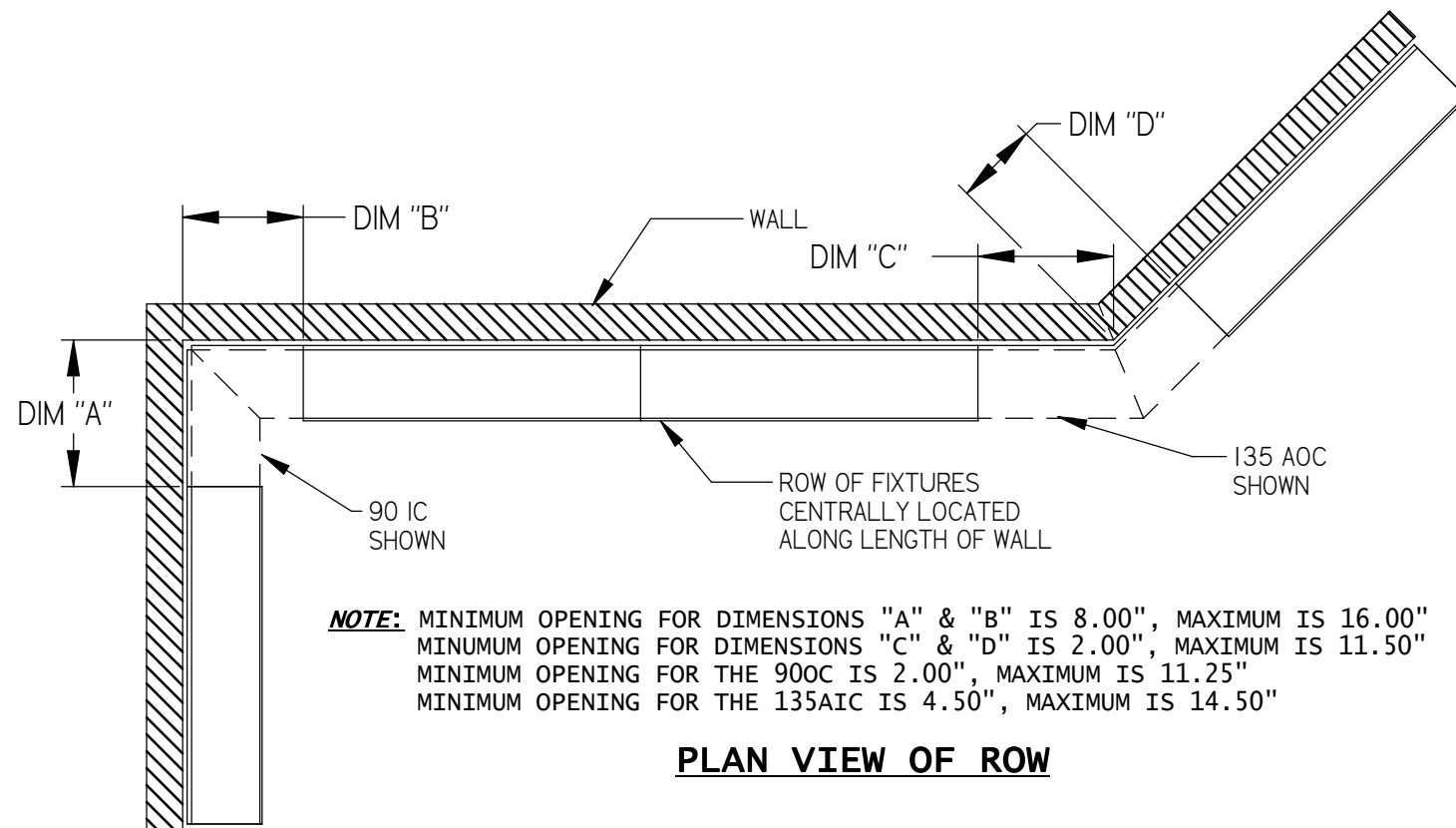
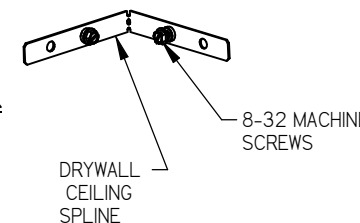
- A. FIXTURES MUST BE INSTALLED PRIOR TO ATTACHING CORNERS.
- B. CORNER KITS ARE SHIPPED SEPARATELY AND BULK PACKAGED.
- C. CORNERS ARE ADJUSTABLE: INSTALLATION OF CORNER KITS ARE SIMILAR REGARDLESS OF THE ANGLE OF CORNER.

**INSTRUCTIONS:**

1. WITH FIXTURES CENTRALLY POSITIONED IN ROW, MEASURE THE DISTANCES FROM END OF FIXTURE TO ADJACENT WALL SURFACE SHOWN IN PLAN VIEW AS DIM "A" AND "B" OR "C" AND "D".
2. NOTE: TRIM COMES PRE-CUT FOR 90 DEGREE AND 135 DEGREE CORNERS. FOR OTHER ANGLES, NEW MITRED EDGES MUST BE CUT. SAWCUT ENDS OF LEFT HAND AND RIGHT HAND MITRED TRIM.
3. INSERT SPLINE BENT TO CORNER ANGLE AND SCREW DOWN WITH 8-32 MACHINE SCREWS SIMILAR TO PG1, STEP 2. (VIEW D&E). DETAILS SHOW GRID CEILING STYLE SPLINE, DRY WALL "DP" CEILING SPLINES ARE A SMALLER SPLINE.
4. ATTACH CORNER HOUSING TO TRIM SIMILAR TO PG1, STEP 3 (VIEW D&E). ADHERE DOUBLE SIDED TAPE TO CORNER HOUSING TAP AS SEEN IN VIEWS D AND E.
5. OVERLAP PLENUM COVERS WITH THE LEFT HAND SIDE BELOW THE RIGHT HAND SIDE. ENSURE THE SEAM FIT/FINISH IS CLEAN AND THERE ARE NO GAPS. IF USING CHAINS ON PLENUM COVERS, BEND TABS VERTICALLY AND USE HOLES IN TABS.

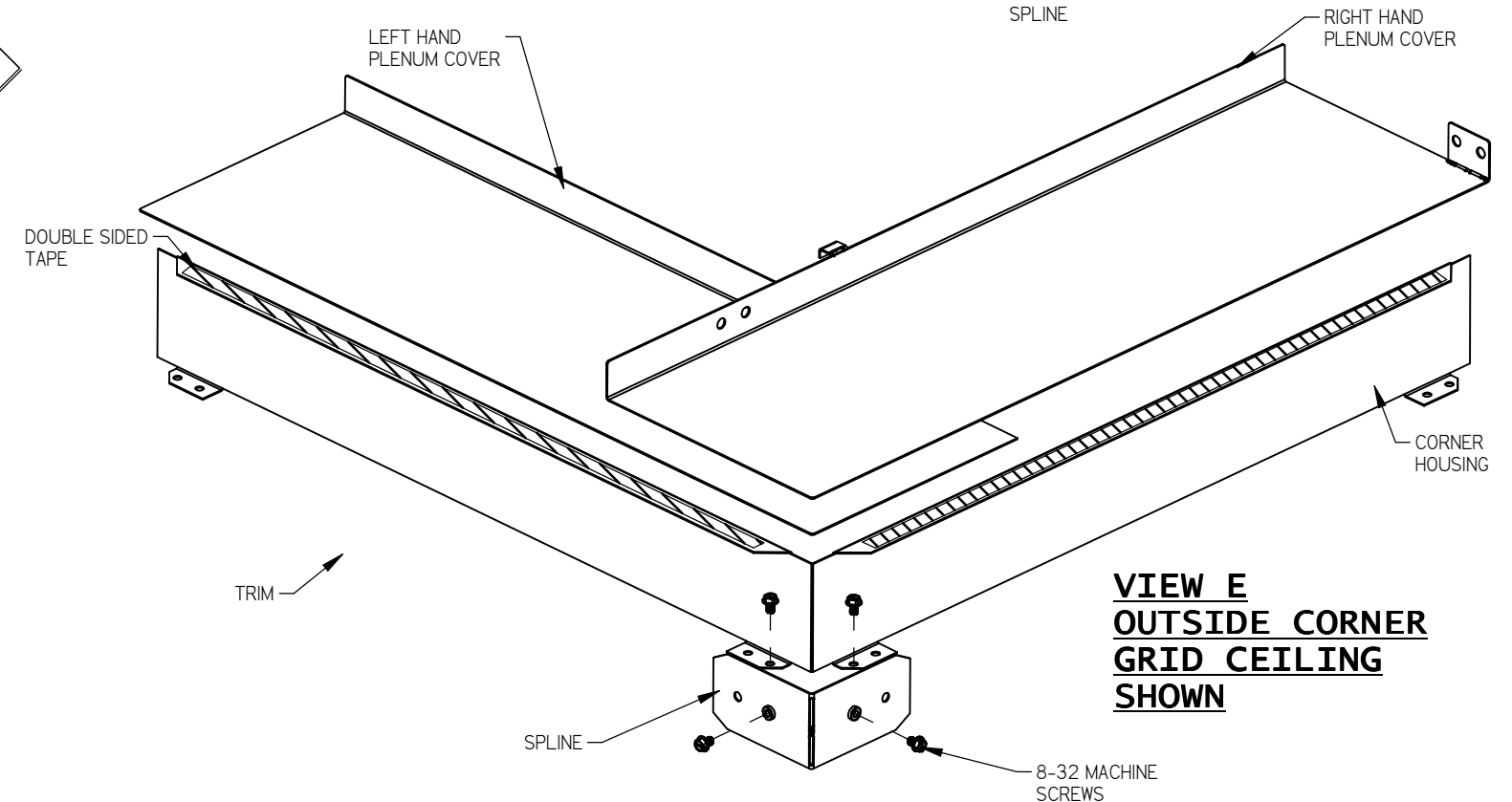


**VIEW D  
INSIDE CORNER  
GRID CEILING  
SHOWN**



**NOTE:** MINIMUM OPENING FOR DIMENSIONS "A" & "B" IS 8.00", MAXIMUM IS 16.00"  
MINIMUM OPENING FOR DIMENSIONS "C" & "D" IS 2.00", MAXIMUM IS 11.50"  
MINIMUM OPENING FOR THE 90OC IS 2.00", MAXIMUM IS 11.25"  
MINIMUM OPENING FOR THE 135AIC IS 4.50", MAXIMUM IS 14.50"

**PLAN VIEW OF ROW**



**VIEW E  
OUTSIDE CORNER  
GRID CEILING  
SHOWN**

INSTALLATION  
INSTRUCTIONS

FIXTURE TYPE \_\_\_\_\_

**WALLSLOT 6000  
SYSTEM CONNECTORS  
PLENUM END CAP**

PG. 4 OF 4

P/C 510593-0000

DO NOT MODIFY OR ALTER THIS PRODUCT IN ANY WAY, OR INSTALL IN ANY FASHION WHICH IS CONTRARY TO THE INSTRUCTIONS CONTAINED HEREIN.  
IF YOU HAVE ANY QUESTIONS REGARDING THIS PRODUCT OR THE INSTALLATION OF IT, PLEASE CALL LITECONTROL ENGINEERING AT 781-294-0100.

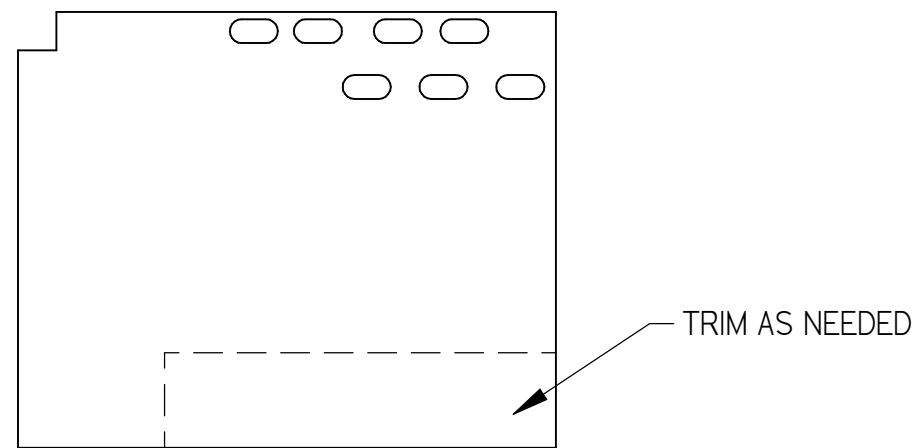
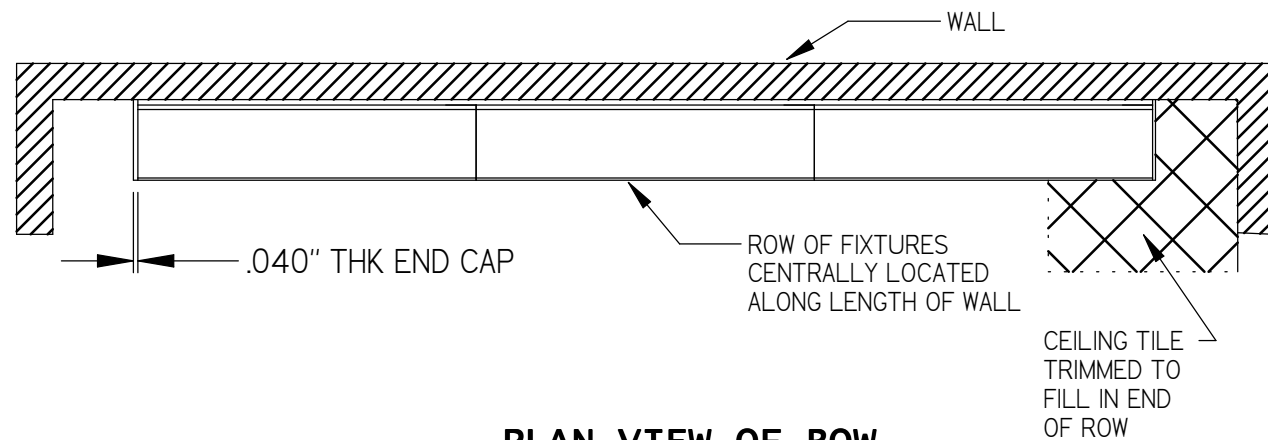
**NOTES:** PLENUM END CAPS (EC) ARE INSTALLED AT ENDS OF ROW TO CLOSE OFF PLENUM OPENING WHEN CORNERS OR STRAIGHT EXTENSIONS ARE NOT USED.  
CEILING TILES OR DRYWALL IS REQUIRED TO FINISH OFF OPENING BEHIND END CAPS.

- A. FIXTURES MUST BE INSTALLED PRIOR TO ATTACHING PLENUM END CAPS.
- B. END CAPS ARE SHIPPED SEPARATELY AND BULK PACKAGED.

**INSTRUCTIONS:**

1. WITH FIXTURES CENTRALLY POSITIONED IN ROW, ATTACH PLENUM END CAP TO THE END OF ROW FIXTURE ROW MOUNTING BRACKET (INSTALLED) USING PROVIDED 1/4-20 HARDWARE (VIEW F)

NOTE:  
MULTIPLE HOLES ARE PROVIDED TO ACCOMMODATE FIELD ADJUSTABLE SLOT WIDTH.



NOTE:  
TRIM END CAP AS SHOWN TO ACCOMMODATE FOR ANY INTERFERENCE WITH DRYWALL, TBAR, OR TILE.

