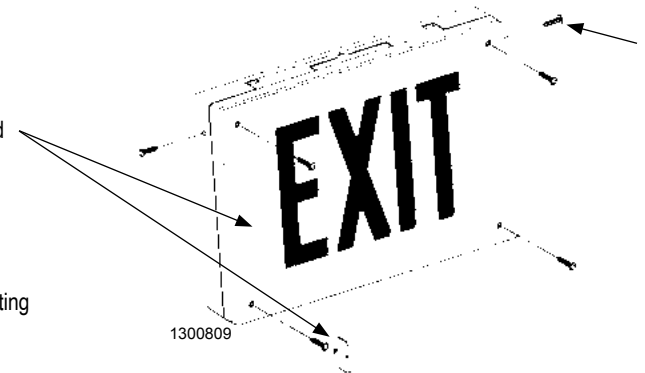


1. Remove directional chevron arrow(s) (if required) following the instructions in this manual.
2. Install the polycarbonate vandal shield onto the exit face(s) using four #8 x 3/8" tamper resistant screws and nuts (supplied) as shown. Tighten the screws using the spanner head screwdriver provided.
3. Install the exit sign following the mounting instructions in this manual.



4. After mounting the exit sign, install two tamper resistant #8 x 3/8" screws into the sides of the exit as shown. Tighten the screws using the spanner head screwdriver provided.
- NOTE:** On end mounted models, install only one tamper resistant screw into the side opposite the mounting canopy.

OPERATION

"AC ON" LED is illuminated when AC power is present.

NOTE: All models are supplied with an AC Lockout circuit, which prevents the "EXIT" legend from illuminating when the battery is connected and no AC power is present.

NOTE: All models are supplied with a Low Voltage Disconnect circuit, which prevents damage to the battery from deep discharge during prolonged emergency operation.

NOTE: Batteries are often shipped in a discharged state – this is normal. The battery will require charging. Allow several hours of charge before testing the unit.

Models With SPECTRON® Self-Testing/Self-Diagnostic Circuitry

Models equipped with the Spectron self-testing/self-diagnostic electronics system provide:

- Visual indication of AC power status
- Visual indication of self-diagnostic test cycle
- Visual indication of any unit malfunctions including –
- **Battery fault**
- **Transfer Fault**
- **Charger fault**
- **Emergency Lamp fault**

Spectron equipped units also include:

Brownout protection: unit will automatically transfer to emergency operation upon detection of low AC power (approximately 80% of nominal line).

Time Delay Retransfer: upon return of normal AC power, unit will remain in the emergency mode for an additional 15 minutes to allow AC power to stabilize.

LED Status Indicator

A bicolor LED (green/red) is provided on the control panel of all models equipped with the Spectron option.

Green Operating Status Indicator

The green Operating Status Indicator serves as both an AC power and a self-test indicator. During normal operation, the green Operating Status Indicator will be illuminated, indicating the presence of AC power. During all automatic or manual self-test cycles, the green Operating Status Indicator will blink at a 1 Hz. rate.

Red Service Alert Indicator

Under normal operating conditions, the red Service Alert Indicator will remain "off". In the event the Spectron controller detects a malfunction, the red Service Alert Indicator will blink at a 1 Hz. rate, based on the following table:

Red Status Indicator Code	Description
One blink ON/pause	Battery not connected
Two blinks ON/pause	Battery fault
Three blinks ON/pause	Charger fault
Four blinks ON/pause	Transfer circuit fault
Five blinks ON/pause	Emergency Lamp fault

Automatic Tests

The unit will automatically initiate a self-test/self-diagnostic cycle based on the following table:

Testing Period	Duration of Test
Once a month	1 minute
Once every 6 months	Alternating: 30 minutes or 60 minutes

Manual Tests

Using the unit test switch, users can initiate different duration test cycles based on the following table:

Initiating Action	Test Cycle
Press test switch once	1 minute
Press test switch twice	90 minutes

Pressing the test switch at any time after a test cycle has begun cancels the remainder of the test and returns the unit to normal operation.

MAINTENANCE

TROUBLE SHOOTING

•"EXIT" legend does not illuminate

- Check wiring connections.

•Emergency circuit does not work

- Batteries are shipped uncharged and disconnected. Connect power pack leads and charge before testing.
- Make sure charger board is properly seated.
- Check wiring connections.

TESTING

Signs should be tested and maintained in accordance with National Electrical Code and NFPA 101 Life Safety Code requirements. It is recommended that emergency exit signs be tested for 30 seconds once a month and for 90 minutes once a year.

RECYCLING INFORMATION

All thermoplastic parts are recyclable.
All cartons contain recycled materials.
Please recycle responsibly.



NOTICE:

Emergency model exit signs contain rechargeable nickel-cadmium batteries which must be recycled or disposed of properly.

1300809 93029304
1300811 93029314
93029284 93029334
93029298 93029335
93029302 93029336

DUAL LITE®

SE Model



SEMPRA® SE Series

Die-Cast Aluminum LED Exit Sign

Installation, Operation and Maintenance Instructions

SEMR Master Remote Model



IMPORTANT SAFEGUARDS

When using electrical equipment, basic safety precautions should always be followed including the following.

READ AND FOLLOW ALL SAFETY INSTRUCTIONS

1. Do not use outdoors.
2. Do not let power supply cords touch hot surfaces.
3. Do not mount near gas or electric heaters.
4. Equipment should be mounted in locations and at heights where it will not readily be subject to tampering by unauthorized personnel.
5. The use of accessory equipment not authorized by the manufacturer may cause an unsafe condition.
6. Do not use this equipment for other than its intended purpose.
7. Servicing of this equipment should be performed by qualified service personnel.
8. Test cycling: the Life Safety Code (NFPA 101) requires testing of emergency exit signs once a month for a minimum of 30 seconds and once a year for a minimum of 90 minutes.

INSTALLER:

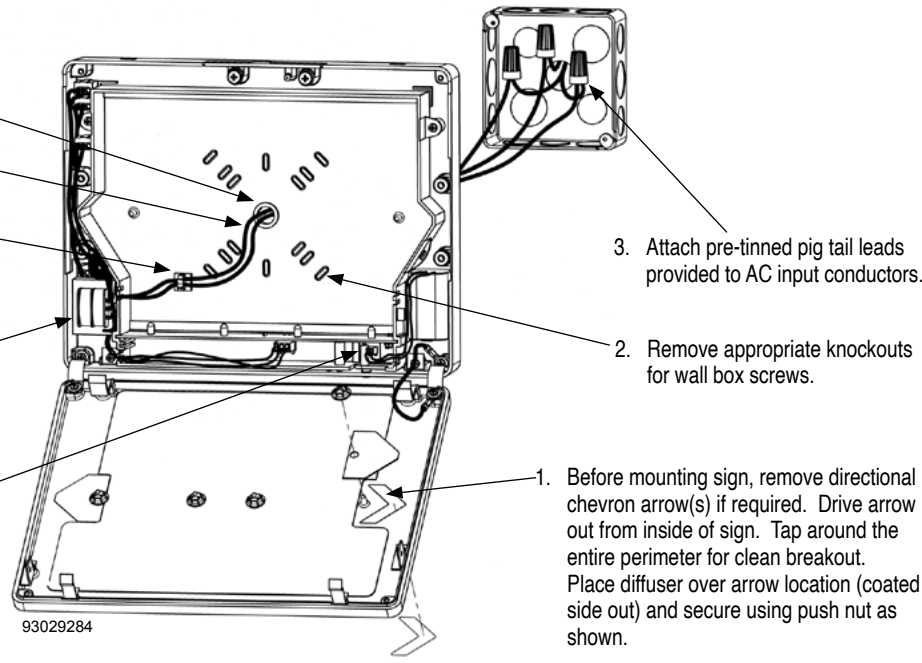
- **SEE UNIT LABEL FOR ADDITIONAL MODEL SPECIFICATIONS**
- **SAVE THESE INSTRUCTIONS FOR USE BY OWNER/OCCUPANT**

WARNING – This product contains chemicals known to the State of California to cause cancer, birth defects and/or other reproductive harm. Thoroughly wash hands after installing, handling, cleaning, or otherwise touching this product.

INSTALLATION INSTRUCTIONS

WALL MOUNT

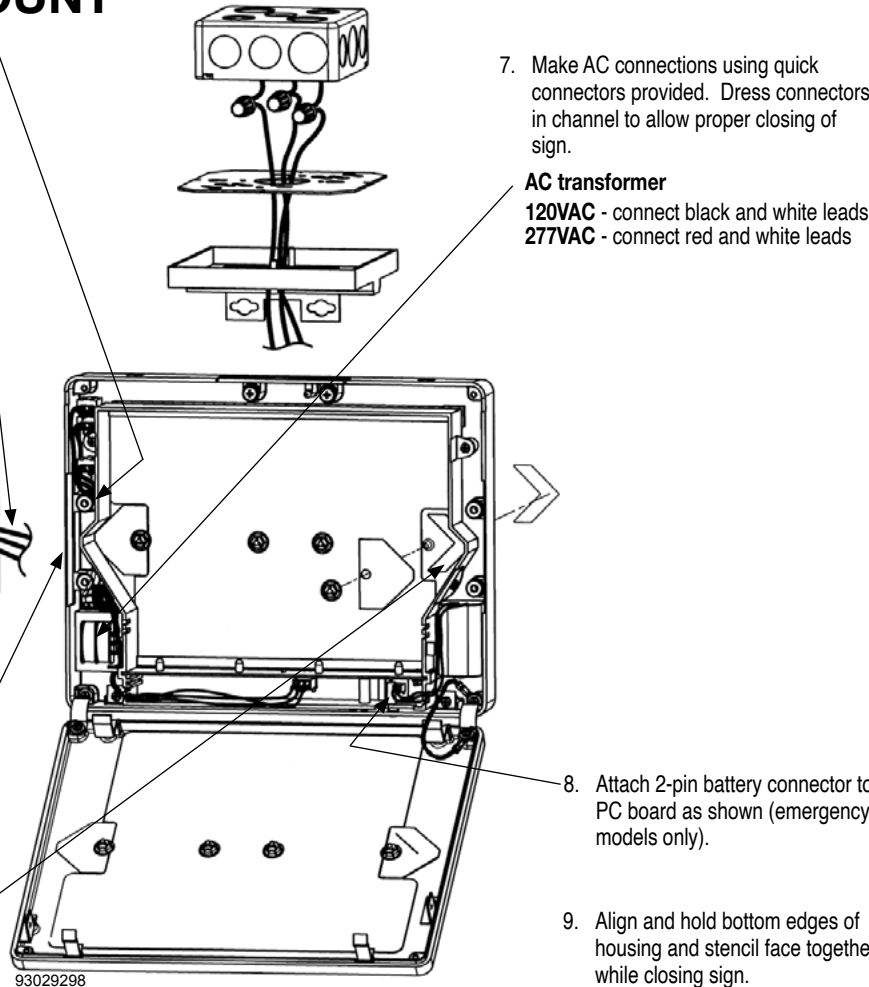
- Remove center knockout and insert split bushing.
- Feed wires through bushing and attach exit housing to wall box.
- Attach adhesive wiring guide and route wires into channel as shown.
- Make AC connections using quick connectors provided. Dress connectors in channel to allow proper closing of sign.
- AC transformer**
120VAC - connect black and white leads.
277VAC - connect red and white leads
- Attach 2-pin battery connector to PC board as shown (emergency models only).
- Align and hold bottom edges of housing and stencil face together while closing sign.



- Attach pre-tinned pig tail leads provided to AC input conductors.
- Remove appropriate knockouts for wall box screws.
- Before mounting sign, remove directional chevron arrow(s) if required. Drive arrow out from inside of sign. Tap around the entire perimeter for clean breakout. Place diffuser over arrow location (coated side out) and secure using push nut as shown.

CEILING OR END MOUNT

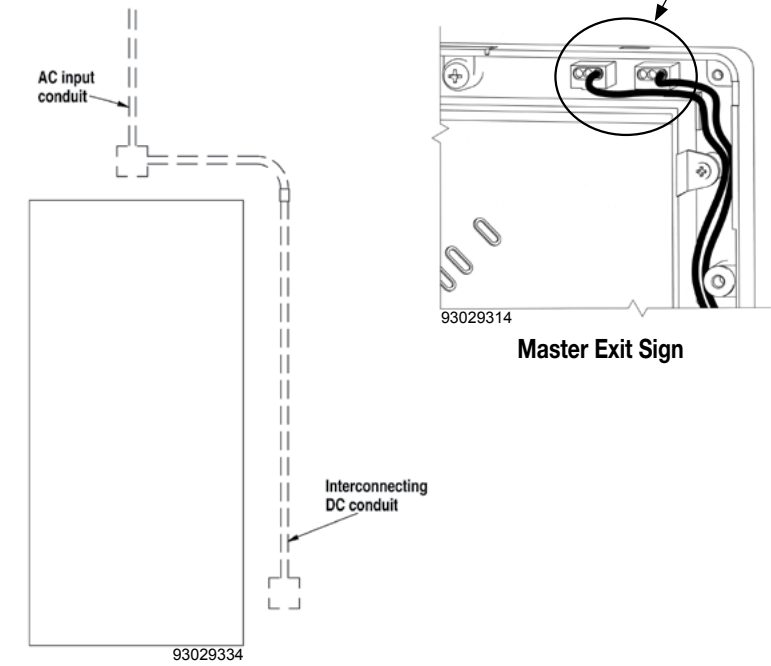
- If end mounting, move mounting screws from top center of sign to side bosses as shown. Slide screw heads through canopy bracket, position sign and tighten mounting screws.
- Feed wires through center of mounting canopy on the installer side of connection bracket as shown and attach canopy to mounting plate using captive screws.
- Feed wires through center of universal mounting plate and attach plate to electrical box.
- Attach pre-tinned pig tail leads provided to AC input conductors.
- Remove appropriate breakout in housing for selected canopy mounting position.
- Before mounting sign, remove directional chevron arrow(s) if required. Drive arrow out from inside of sign. Tap around the entire perimeter for clean breakout. Place diffuser over arrow location (coated side out) and secure using push nut as shown.
- Attach 2-pin battery connector to PC board as shown (emergency models only).
- Align and hold bottom edges of housing and stencil face together while closing sign.



- Make AC connections using quick connectors provided. Dress connectors in channel to allow proper closing of sign.
- AC transformer**
120VAC - connect black and white leads.
277VAC - connect red and white leads

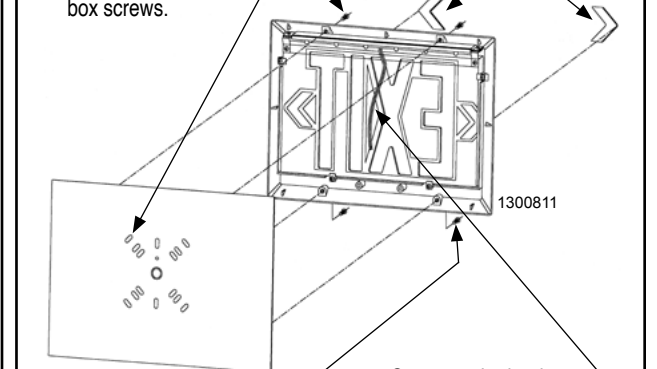
"MASTER" EXIT CONNECTIONS

- Install interconnecting conduit for connections between Master and Remote sign wall boxes as shown. Run two, 18 gauge minimum DC conductors (color coded or marked to maintain polarity) through conduit. All wiring and connections to be performed in accordance with governing codes.
- Install Master sign and make AC wiring connections as shown in "Wall" or "Ceiling or End" instructions in this manual.
- Connect DC wire leads to Remote Sign (maintain proper polarity)



REMOTE (LOW LEVEL) EXIT SIGN INSTALLATION

- Remove housing from wall plate by loosening the four screws on the front face.
- Remove directional chevron arrow(s) if required. Loosen four plaque retaining bracket screws and rotate brackets to remove plaque. Drive arrow out from inside of sign. Tap around the entire perimeter for clean breakout. Replace plaque.
- Mount back plate to wall box by removing appropriate knockouts and secure using wall box screws.
- Connect wire leads to conductors from Master Sign (maintain proper polarity). Connect ground wire provided on back plate.
- Align housing to wall plate and secure using four screws provided.



IMPORTANT: Option connection wires must be run before sign housing is attached to canopy.

FIRE ALARM PANEL (-FAP) OPTION

FAP option connects to 24 volt AC or DC (purple wires).
Flash Rate: .5 seconds on, .5 seconds off.

DC REMOTE (-DC) OPTION

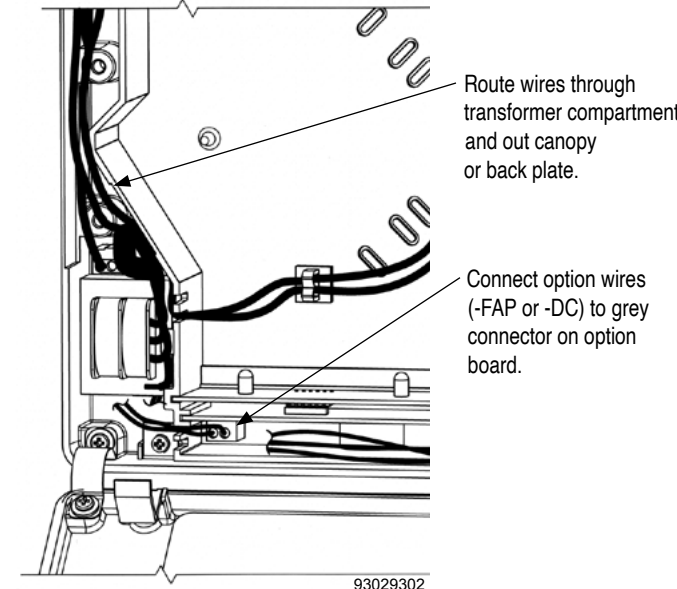
DC Remote option connects to 6-24 volt DC [yellow (-), blue (+)].

FLASHER MODULE (-FM) OPTION

Emergency Mode Flash Rate: .5 seconds on, .5 seconds off.

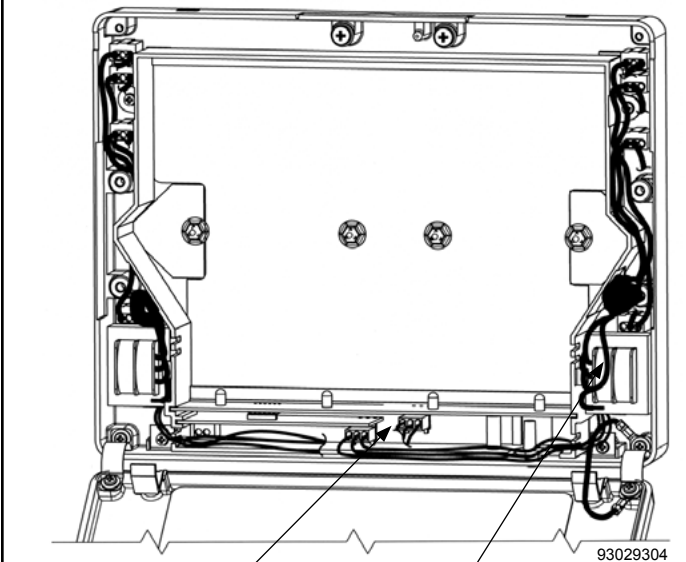
AUDIBLE/FLASHER MODULE (-AF) OPTION

Emergency Mode Beep/Flash Rate: .5 seconds on, .5 seconds off.



- Route wires through transformer compartment and out canopy or back plate.
- Connect option wires (-FAP or -DC) to grey connector on option board.

DUAL CIRCUIT (-2C) OPTION



- Dual-circuit transformer secondary wires connect to input connector on option board.
- Connect dual-circuit primary transformer wires to utility source.
120VAC - connect black and white leads.
277VAC - connect red and white leads.

continued...