

LED Replacement  
Contact factory



**RECYCLING INFORMATION**

All steel, aluminum and thermoplastic parts  
are recyclable.

All cartons contain recycled materials.  
Please recycle responsibly.



# PGR LED Sconce

*High Performance LED Sconce  
For Indoor or Outdoor Application  
Installation, Operation and Service Instructions*



US Patent No. D627,916

93021413

## IMPORTANT SAFEGUARDS

When using electrical equipment, basic safety precautions should always be followed including the following.

### READ AND FOLLOW ALL SAFETY INSTRUCTIONS

1. Do not let power supply cords touch hot surfaces.
2. Do not mount near gas or electric heaters.
3. Equipment should be mounted in locations and at heights where it will not readily be subject to tampering by unauthorized personnel.
4. The use of accessory equipment not authorized by the manufacturer may cause an unsafe condition.
5. Do not use this equipment for other than its intended purpose.
6. Servicing of this equipment should be performed by qualified service personnel.

### INSTALLER:

- SEE UNIT LABEL FOR ADDITIONAL MODEL SPECIFICATIONS
- SAVE THESE INSTRUCTIONS FOR USE BY OWNER/OCCUPANT

**Current**

**Current Lighting Solutions, LLC**

701 Millennium Blvd.  
Greenville, SC 29607

[currentlighting.com/dual-lite](http://currentlighting.com/dual-lite)

© 2022 HLI Solutions, Inc. All rights reserved. Information and specifications subject to change without notice. All values are design or typical values when measured under laboratory conditions.

Rev 06/07/22

93036103 PGR Instruction Sheet\_R01

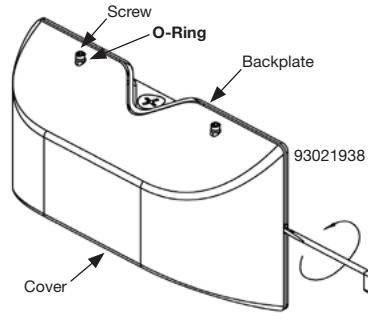
93036103 B

93021413  
93021935  
93036104  
93036105  
93021938  
93021939

**WARNING** – This product contains chemicals known to the State of California to cause cancer, birth defects and/or other reproductive harm. Thoroughly wash hands after installing, handling, cleaning, or otherwise touching this product.

**Current**

## INSTALLATION



1. Open the unit by loosening both screws on top of unit until screws spin freely. Pry cover from backplate, and remove cover squarely from backplate. (Remove screws prior to re-installing cover.)

**IMPORTANT:**  
Once unit is connected and cover is snapped onto backplate, gently seat screws onto O-ring seals to less than 1/2FT-LB (.7N-m).  
**DO NOT OVERTIGHTEN!**  
O-RING MAY BE DAMAGED AND THE UNIT WILL LEAK IF ABOVE IS NOT FOLLOWED.

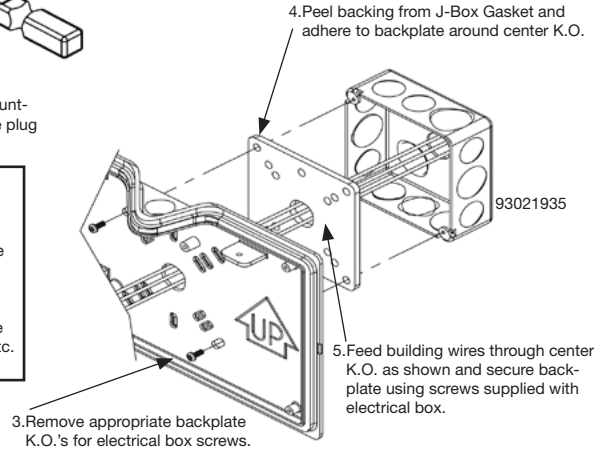
2. Remove 7/8" diameter K.O. from backplate if mounting to electrical box or remove 1/2"-1/4NPT pipe plug if using conduit.

### CONDUIT MOUNTING:

If unit is not secured to mounting surface using unit backplate K.O. pattern and supplied gasket, use sealant to create waterproof seal between the mounting surface and the unit backplate.

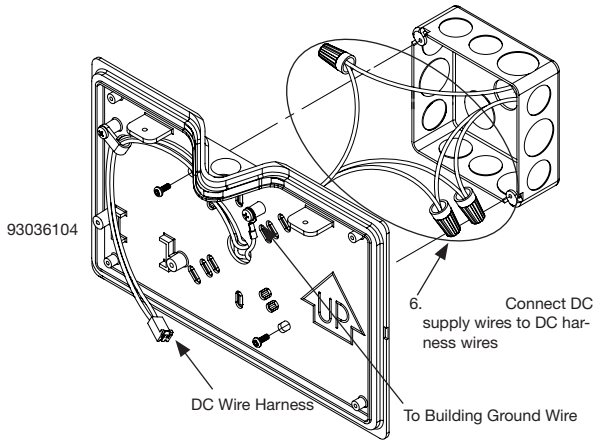
### IMPORTANT!

To weatherproof your outdoor installation, be sure to seal all fixture openings - mounting, conduit, etc.



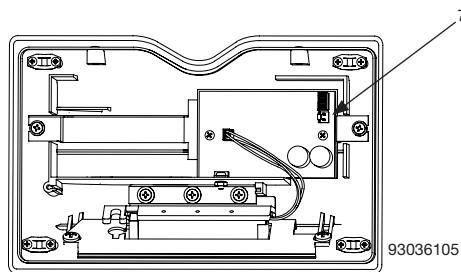
3. Remove appropriate backplate K.O.'s for electrical box screws.

<b>Ground</b>	Connect ground (green) conductor.
<b>6VDC through 12VDC</b>	<b>CAUTION: OBSERVE POLARITY</b> Connect blue (+) conductor to building (+) DC supply. Connect yellow (-) conductor to building (-) DC supply
<b>NOTE:</b> Feed wires and nuts back into electrical box through backplate as shown.	



6. Connect DC supply wires to DC harness wires

To Building Ground Wire



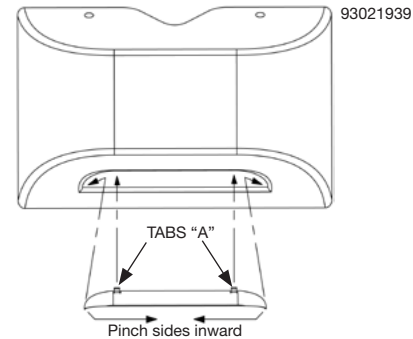
7. Connect DC wire harness from unit backplate to J1 on power supply PCB.

8. Attach unit cover to backplate by reversing Step 1. Ensure all wires are within enclosure to avoid pinching with cover.

## OPERATION

Unit will operate from 6 through 12VDC.

### Full Cut-off Shield Installation



1. Slide tabs "A" between housing and lens gasket.  
2. Pinch sides of shield inward and seat shield against lens.  
3. Release pinched sides of shield to secure to unit.