

## **IMPORTANT SAFEGUARDS**

When using electrical equipment, basic safety precautions should always be followed including the following.

### **READ AND FOLLOW ALL SAFETY INSTRUCTIONS**

1. Do not let power supply cords touch hot surfaces.
2. Do not mount near gas or electric heaters.
3. Equipment should be mounted in locations and at heights where it will not readily be subject to tampering by unauthorized personnel.
4. The use of accessory equipment not authorized by the manufacturer may cause an unsafe condition.
5. Do not use this equipment for other than its intended purpose.
6. Servicing of this equipment should be performed by qualified service personnel
7. Test cycling: the Life Safety Code (NFPA 101) requires testing of emergency exit signs once a month for a minimum of 30 seconds and once a year for a minimum of 90 minutes.

#### **INSTALLER:**

- SAVE THESE INSTRUCTIONS FOR USE BY OWNER/OCCUPANT**
- SEE UNIT LABEL FOR ADDITIONAL MODEL SPECIFICATIONS**

**WARNING** – This product contains chemicals known to the State of California to cause cancer, birth defects and/or other reproductive harm. Thoroughly wash hands after installing, handling, cleaning, or otherwise touching this product.

# INSTALLATION

## General

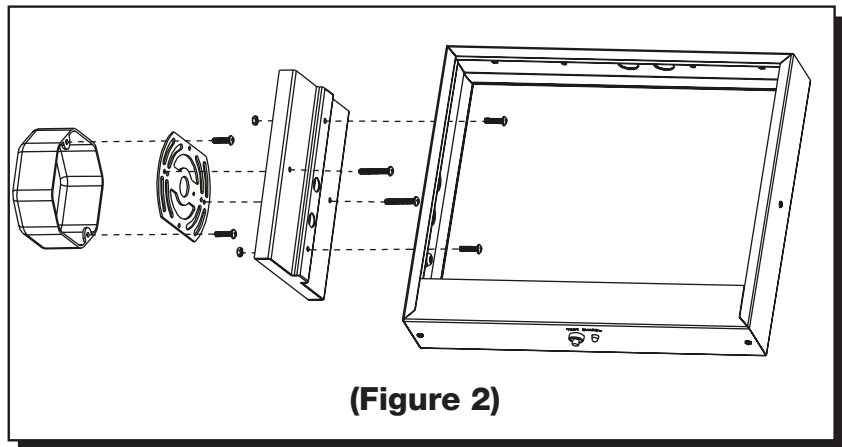
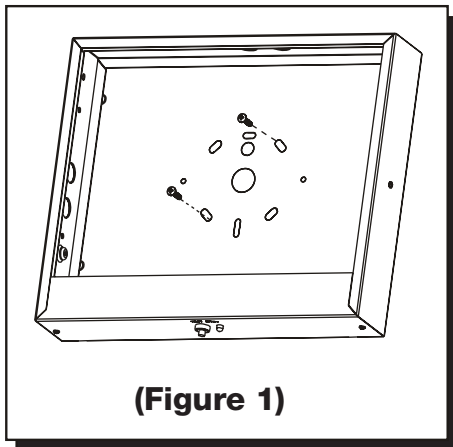
1. This Exit may be shipped with an EXTRA FACE PLATE & RED LENS to make the sign double face. Replace the BACK PLATE with the extra face plate & lens at the start of the installation process if the application calls for a double face sign.

## BACK MOUNT INSTALLATION (Figure 1)

1. Step 1. Extend unswitched 24 hour AC supply of rated voltage to junction box (NOT INCLUDED). Leave at least 18 inches of slack.
2. Step 2. Remove retainer screw from side of sign. Remove side panel and lens.
3. Step 3. Remove 7/8" DIA KO and required mounting pattern from back plate. Use bushing provided to protect wires from metal edge. Secure wires using cable tie. Feed wires through 7/8" DIA KO bushing.
4. Step 4. Connect ground in accordance with local codes. Connect wires per schematic and color code as follows: Line 100 - 300V- ORANGE; NEUTRAL -WHITE. Cap unused line lead.
5. Step 5. Mount sign securely to junction box using mounting plate and screws provided.
6. Step 6. For battery backup models, connect battery leads. Turn on AC supply and operate test switch. LED lamps will stay on in AC mode and remain on in Emergency mode. For AC only models, turn ON AC supply.
7. Step 7. Carefully slide glass into sign frame channel and replace end panel and retainer screw.

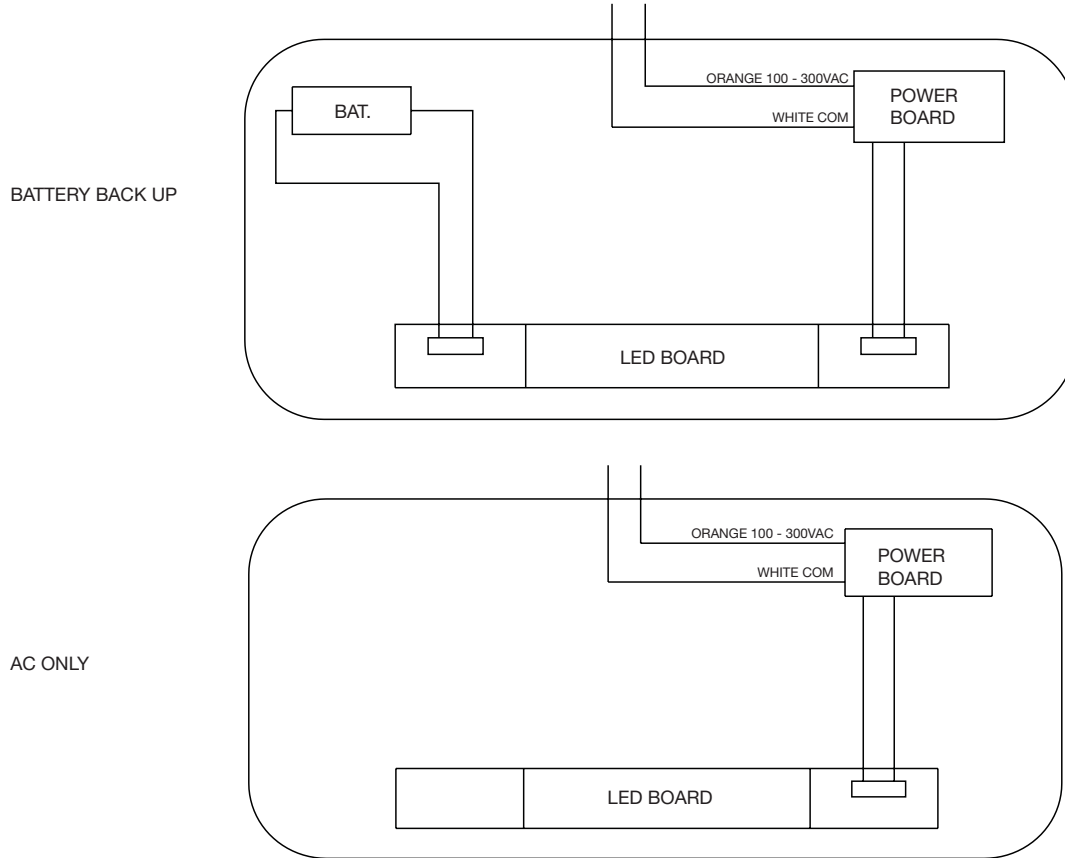
## CEILING or END Mount (Figure 2)

8. Step 1. Follow steps 1 to 2 of back-mount instructions.
9. Step 2. Knock out the appropriate mounting pattern on top or side of unit to accommodate canopy. Use plastic bushings provided to protect wires from metal edge.
10. Step 3. FASTEN CANOPY TO SIGN BY MEANS OF (2) SCREWS, STAR WASHERS AND NUTS.
11. Step 4. Secure mounting plate to junction box by choosing proper slots and using screws supplied with junction box. (NOT INCLUDED)
12. Step 5. Feed wires through canopy and connect to supply following step 4 of back-mount instructions.
13. Step 6. Mount sign with canopy to junction box using screws provided.
14. Step 7. Follow steps 6 to 7 of back-mount instructions.



## WIRING DIAGRAM

**IMPORTANT:** When relamping, only use LED light source specified in the sign. Using other LED light source may result in transformer damage or unsafe conditions. For battery backup models, battery in the unit may not be fully charged. After electricity is connected to unit, let the battery charge up for at least 24-hrs. The normal operation of the unit should take effect.



**NOTE:**

Properly insulate the unused lead with a wire nut or other approved means.

**WARNING:**

unused wires must be capped using enclosed wire nuts



**RECYCLING INFORMATION**

All steel, aluminum and thermoplastic parts are recyclable.  
All cartons contain recycled materials.  
Please recycle responsibly.