

# Towne Commons LED Retro-fit Installation Guide

Fixture: ALN440/ALN445 - Towne Commons

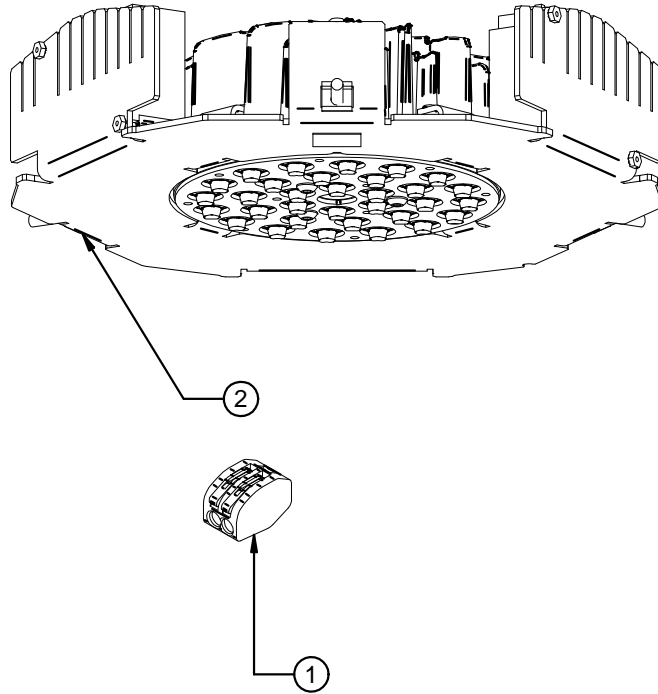


**WARNING:** Fixtures must be grounded in accordance with local codes or the National Electrical Code. Failure to do so may result in serious personal injury.

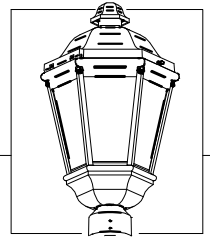
**MAINTENANCE:** A regularly scheduled maintenance program should be established to retain optimum light output and reduce heat retention. Dusting with a soft, clean, dry cloth is normally sufficient for the optics.

**CAUTION:** All wiring must be done by a qualified electrician. KEEP THIS SHEET FOR FUTURE REFERENCE.

## RETRO-FIT KIT PACKAGE CONTENTS:



3	2	88033	CABLE TIE 4in HEAT STABILIZED	(NOT SHOWN)
2	1	LED	LED OPTICAL AND DRIVER ASSY	
1	6	93035846	CONN-WAGO 2-WIRE 222-412 LEVER LOCK	
ITEM #	QTY	PART #	DESCRIPTION	NOTES



# Towne Commons LED Retro-fit Installation Guide

Fixture: ALN440/ALN445 - Towne Commons

## 1. OPENING THE TOP CAP

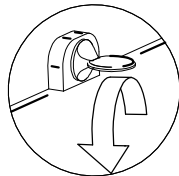
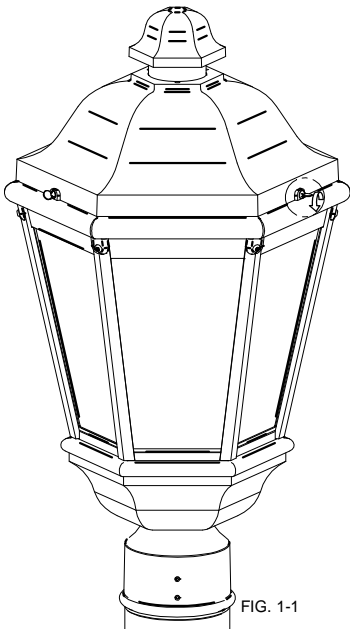


FIG. 1-2

- 1) TURN OFF POWER TO THE UNIT AND TAKE PROPER SAFETY PRECAUTION!
- 2) Loosen the two thumb screws by rotating counter-clockwise.
- 3) Lift the top cap, and open the fixture.

## 2. REMOVING OLD OPTICAL ASSEMBLY

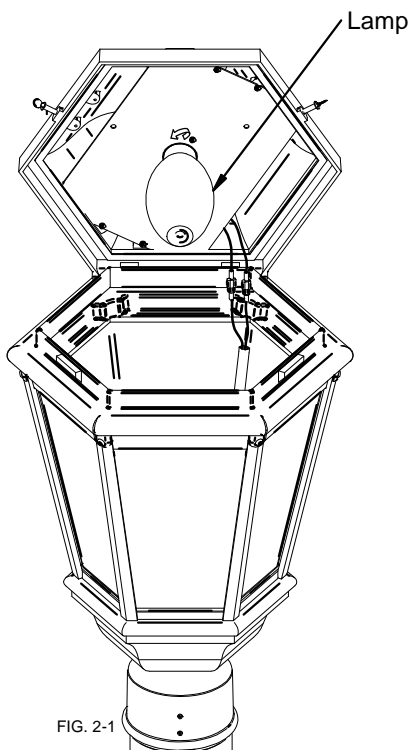


FIG. 2-1

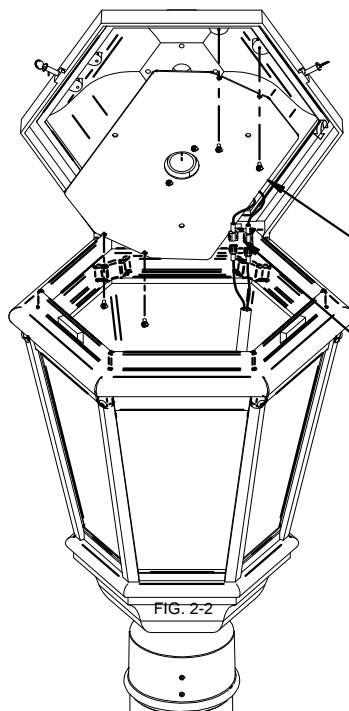
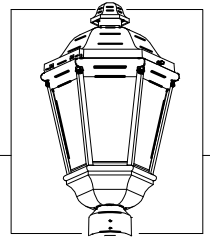


FIG. 2-2

- 1) Remove any lamp or bulb from the optical assembly, and unplug all the connectors.
- 2) Remove the optical assembly by removing all of the screws.

Optical Assembly  
NOTES: Shown for reference, actual parts may varies.

CONNECTORS



# Towne Commons LED Retro-fit Installation Guide

Fixture: ALN440/ALN445 - Towne Commons

## 3. REMOVING OLD BALLAST ASSEMBLY

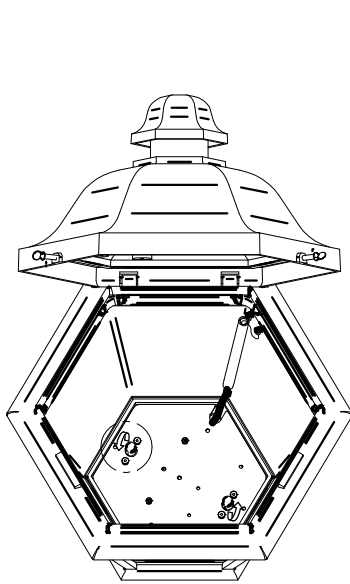


FIG. 3-1

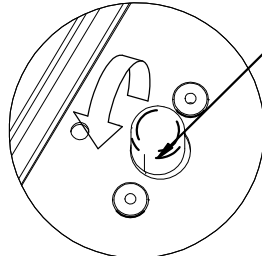


FIG. 3-1A

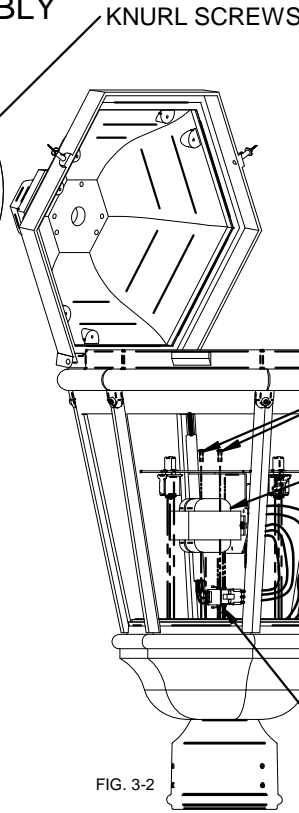


FIG. 3-2

- 1) Rotate both of the knurl screws, and lift the plate upward.
- 2) Remove (2) 8-32 screws to discard the old ballast assembly, and cut the wires connection from the output side.
- 3) Remove and cut the wire connection on the input side from the ballast to the wires from the pole.

(2) 8-32 SCREWS

OLD BALLAST ASSEMBLY

NOTES:  
CUT INPUT WIRES

NOTES:  
REMOVE AND CUT OUTPUT WIRES

## 4. CONNECT THE WIRES

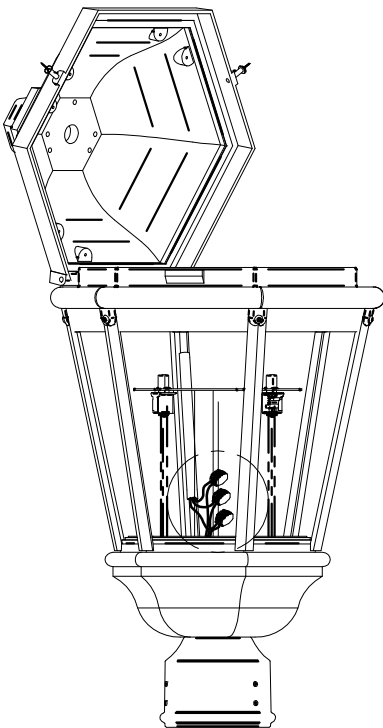


FIG. 4-1

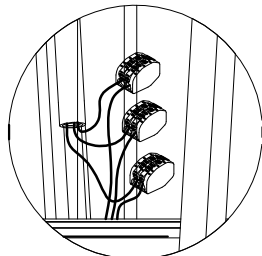


FIG. 4-1A

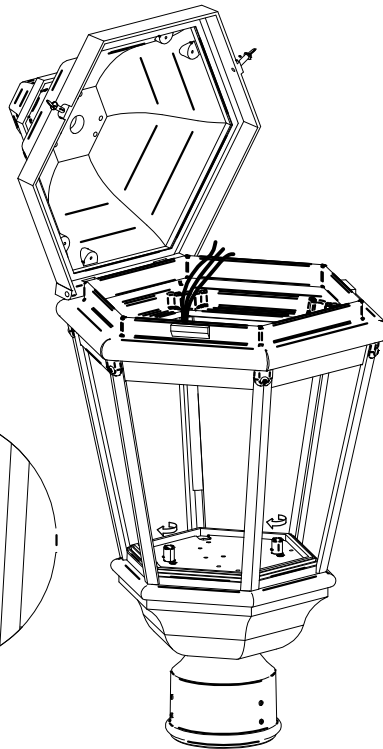
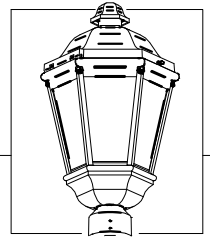


FIG. 4-2

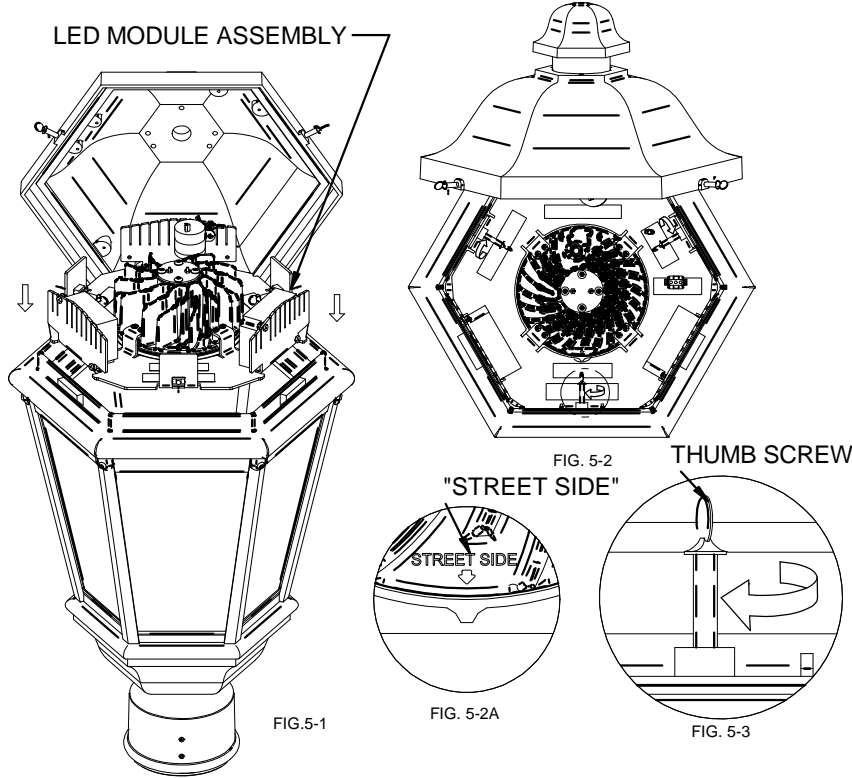
- 1) Connect the wires from the pole to the wires from the wireway with the provided lever lock connectors.
- 2) Install the plate and rotate both knurl screws at clockwise direction until secured.



# Towne Commons LED Retro-fit Installation Guide

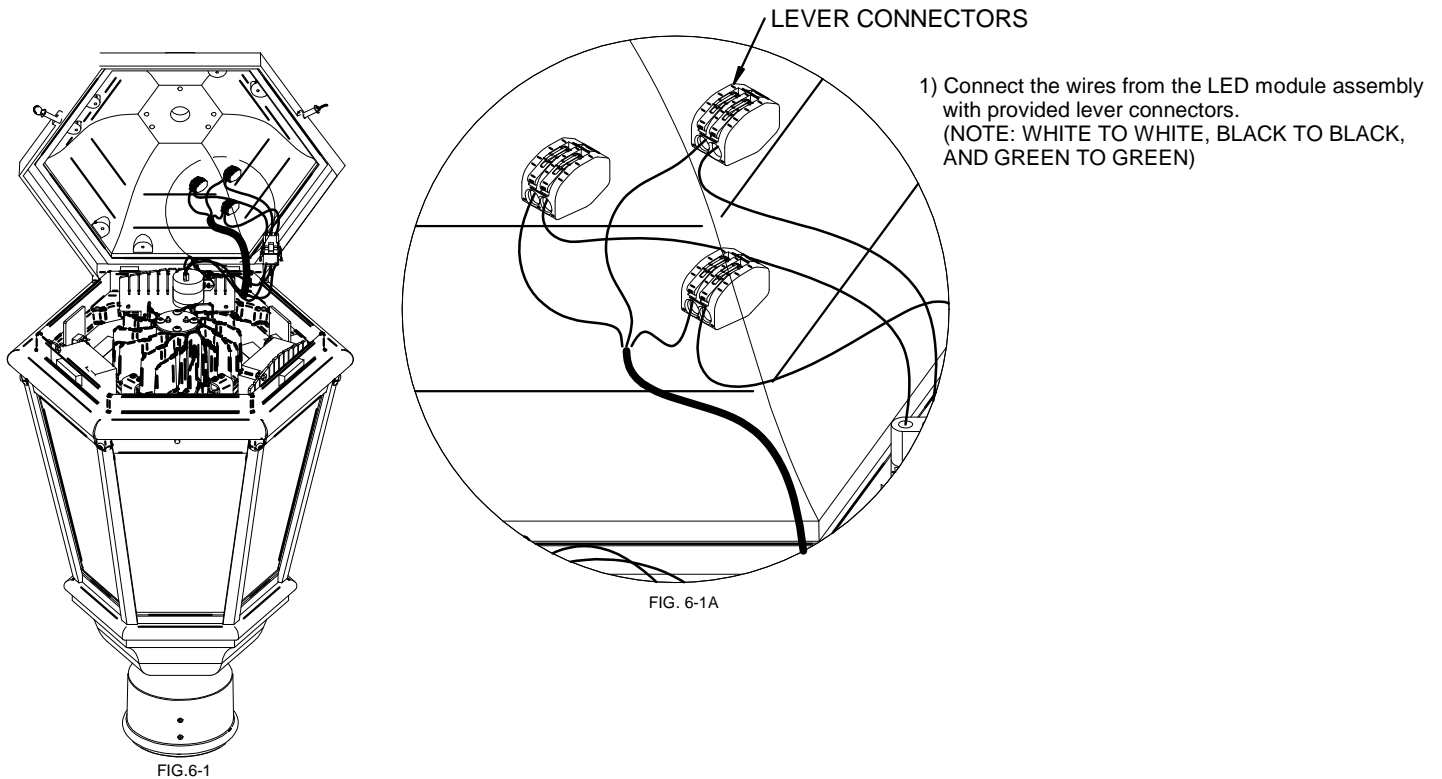
Fixture: ALN440/ALN445 - Towne Commons

## 5. INSTALLING THE LED RETRO-FIT KIT

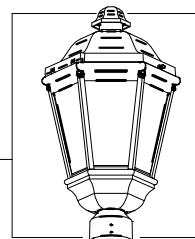


- 1) Drop in the LED module assembly inside the fixture.
- 2) Make sure the "STREET SIDE" is pointing towards the desired direction.
- 3) Tighten 3 of the thumb screws until the kit is secured.

## 6. WIRING THE CONNECTORS



- 1) Connect the wires from the LED module assembly with provided lever connectors.  
(NOTE: WHITE TO WHITE, BLACK TO BLACK, AND GREEN TO GREEN)



## Towne Commons LED Retro-fit Installation Guide

Fixture: ALN440/ALN445 - Towne Commons

### 7. CLOSING THE CAP

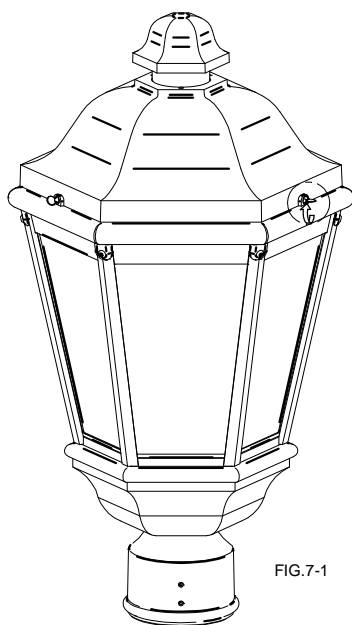


FIG. 7-1

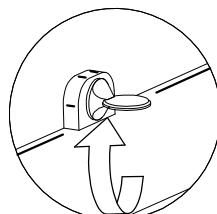
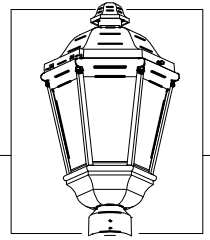


FIG. 7-2

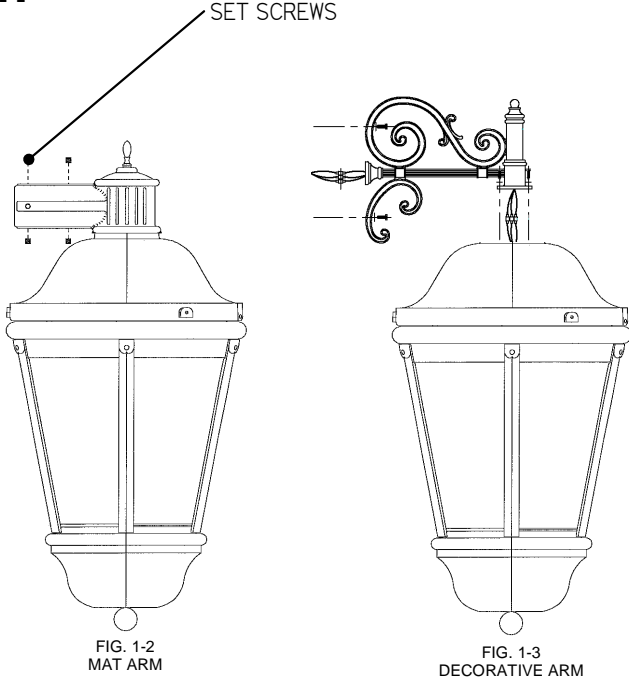
- 1) Close the cap.
- 2) Tighten two thumb screws by rotating clockwise until secured.
- 3) The installation process is complete.



# Towne Commons LED Retro-fit Installation Guide

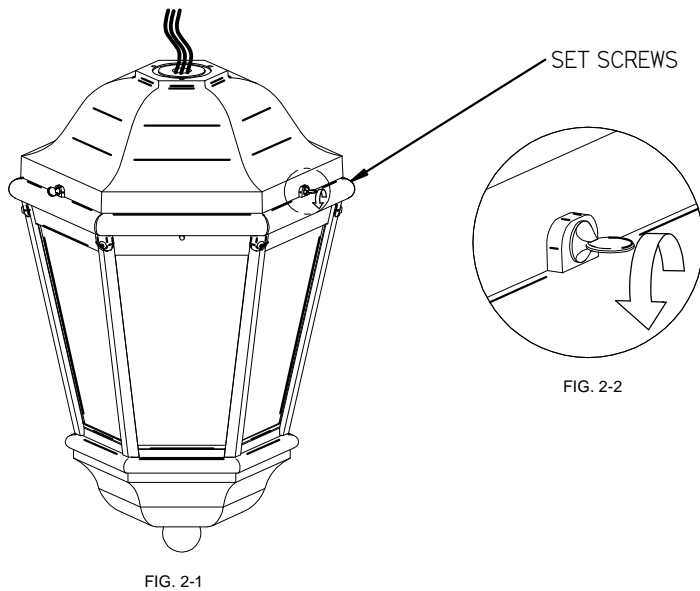
Fixture: ALN440/ALN445 - Towne Commons

## 1. REMOVE FIXTURE FROM ARM ASSEMBLY

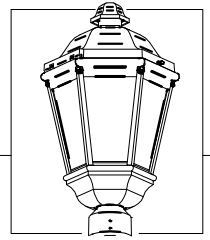


- 1) TURN OFF POWER TO THE UNIT AND TAKE PROPER SAFETY PRECAUTION!
- 2) FOR MAT ARM: Remove (4) x 1/4-20 set screws, and hex bolt, and disconnect the connectors and take the fixture down
- 3) FOR DECORATIVE ARM: Remove (3) 5/16-18 x 1" S/S screws, then disconnect the connectors and take the fixture down

## 2. OPENING THE TOP CAP



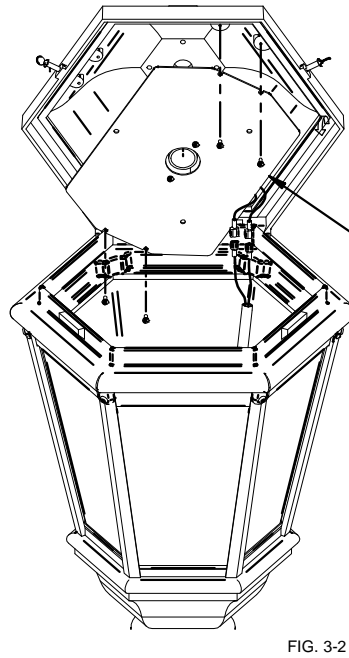
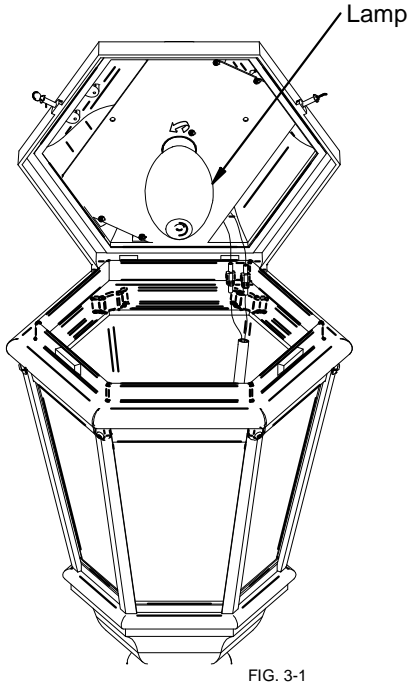
- 1) Loosen the two thumb screws by rotating counter-clockwise.
- 2) Lift the top cap, and open the fixture.



# Towne Commons LED Retro-fit Installation Guide

Fixture: ALN440/ALN445 - Towne Commons

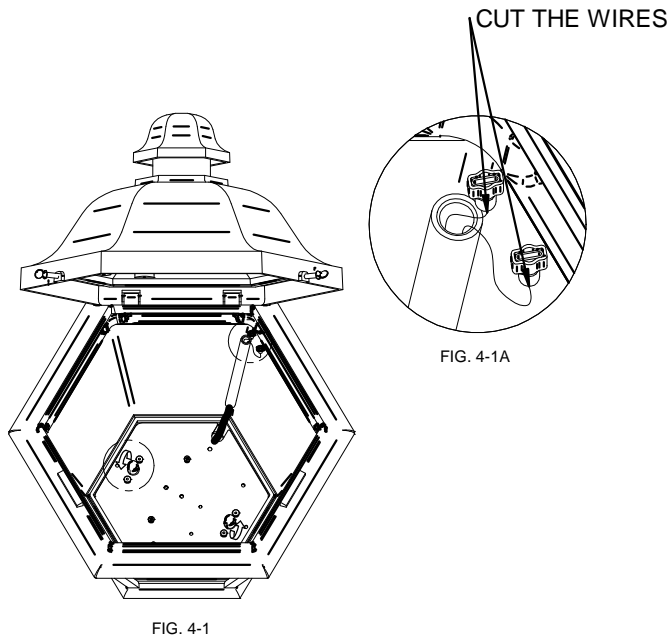
## 3. REMOVE FIXTURE FROM POLES



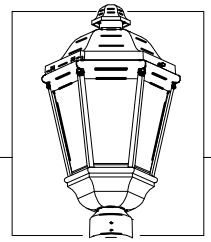
- 1) Remove any lamp or bulb from the optical assembly, and unplug all the connectors.
- 2) Remove the optical assembly by removing all of the screws.

NOTES: Shown for reference, actual parts may varies.

## 4. OPENING THE TOP CAP



- 1) Cut the wires on the wireway.



## Towne Commons LED Retro-fit Installation Guide

Fixture: ALN440/ALN445 - Towne Commons

### 5. INSTALLING THE LED RETRO-FIT KIT

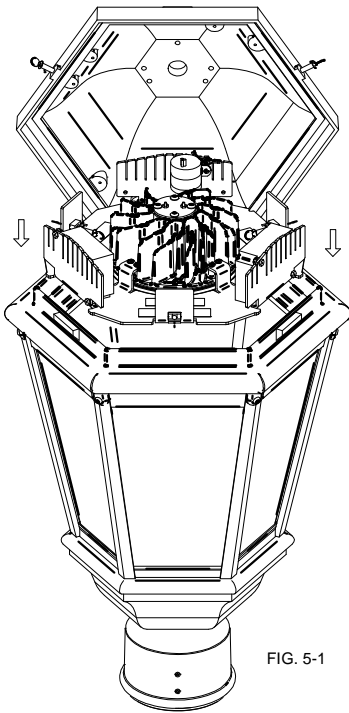


FIG. 5-1

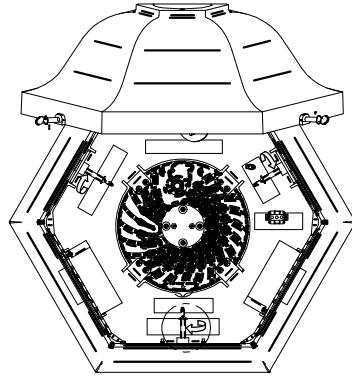


FIG. 5-2

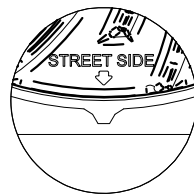


FIG. 5-2A

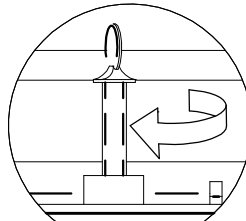


FIG. 5-3

- 1) Drop in the LED module assembly inside the fixture
- 2) Make sure the "STREET SIDE" is pointing towards the desired direction.
- 3) Tighten 3 of the thumb screws until the kit is secured.

### 6. WIRING THE CONNECTORS

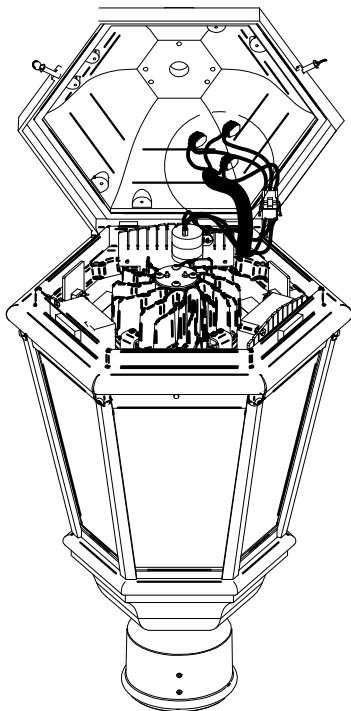


FIG. 6-1

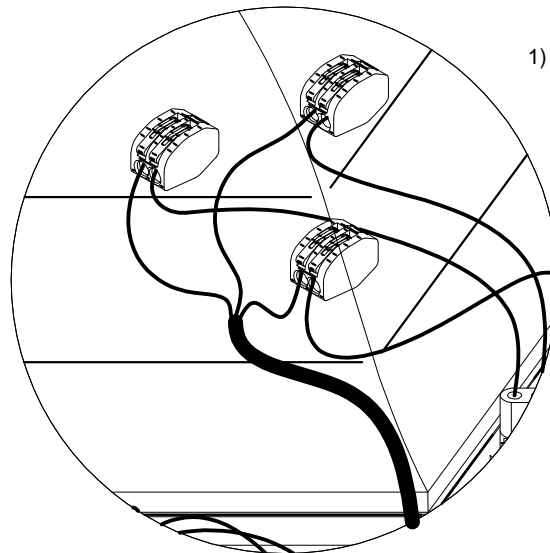
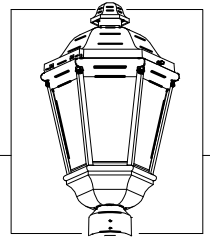


FIG. 6-1A

- 1) Connect the wires from the LED module assembly with provided lever connectors.  
(NOTE: WHITE TO WHITE, BLACK TO BLACK, AND GREEN TO GREEN)

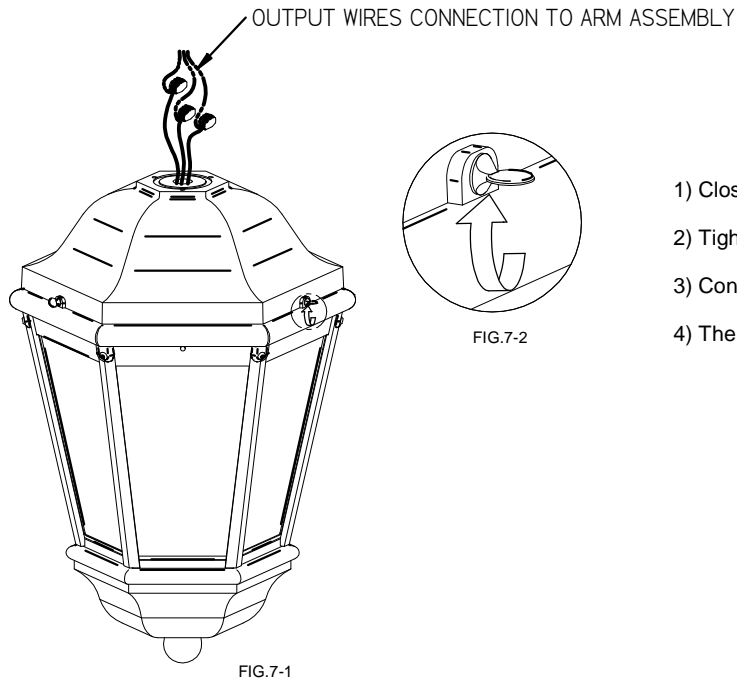




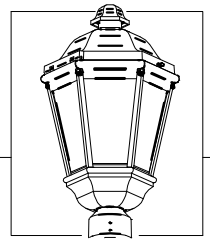
## Towne Commons LED Retro-fit Installation Guide

Fixture: ALN440/ALN445 - Towne Commons

### 7. CLOSING THE CAP



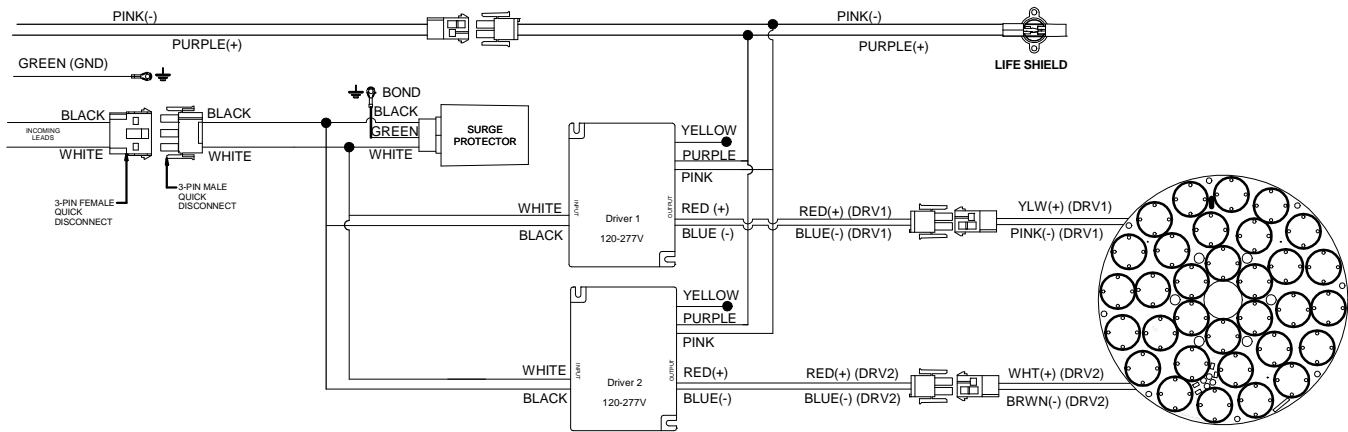
- 1) Close the cap.
- 2) Tighten two thumb screws by rotating clockwise until secured.
- 3) Connect the output wires to arm assembly
- 4) The installation process is complete.

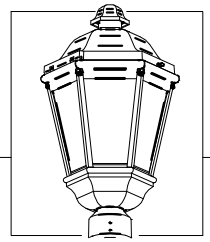


# Towne Commons LED Retro-fit Installation Guide

Fixture: ALN440/ALN445 - Towne Commons

## 8. WIRING DIAGRAM





# Towne Commons Installation Guide

Fixture: ALN440/ALN445 - Towne Commons



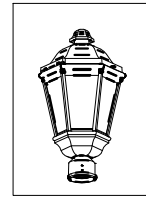
**WARNING:** Fixtures must be grounded in accordance with local codes or the National Electrical Code. Failure to do so may result in serious personal injury.

**MAINTENANCE:** A regularly scheduled maintenance program should be established to retain optimum light output and reduce heat retention. Dusting with a soft, clean, dry cloth is normally sufficient for the optics.

**CAUTION:** All wiring must be done by a qualified electrician. KEEP THIS SHEET FOR FUTURE REFERENCE.

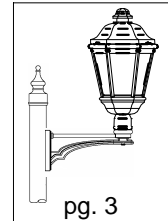
## TABLE OF CONTENTS

POST TOP MOUNT ..... pg. 2



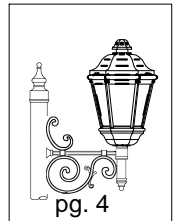
ALN440-Y\*-32LED-STND\_MNT

POLE MOUNT ARM ..... pg. 3  
POLE MOUNT DECORATIVE ARM UP ..... pg. 4



pg. 3

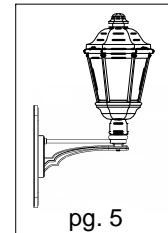
ALN440-Y\*-32LED-TRA55



pg. 4

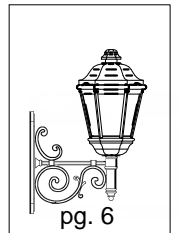
ALN440-Y\*-32LED-TRA1\*

WALL MOUNT ARM UP ..... pg. 5  
WALL MOUNT DECORATIVE ARM UP ..... pg. 6



pg. 5

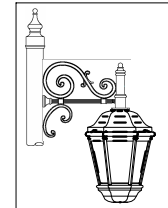
ALN440-Y\*-32LED-WMA55



pg. 6

ALN440-Y\*-32LED-WMA1\*

POLE MOUNT DECORATIVE ARM DOWN ..... pg. 7



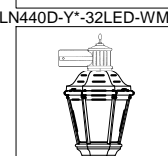
ALN440D-Y\*-32LED-TRA2\*

WALL MOUNT DECORATIVE ARM DOWN ..... pg. 8

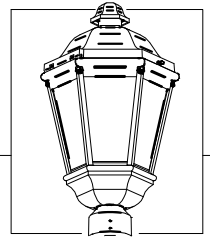


ALN440D-Y\*-32LED-WMA2\*

POLE MOUNT ARM DOWN ..... pg. 9



ALN440D-Y\*-32LED-MAT



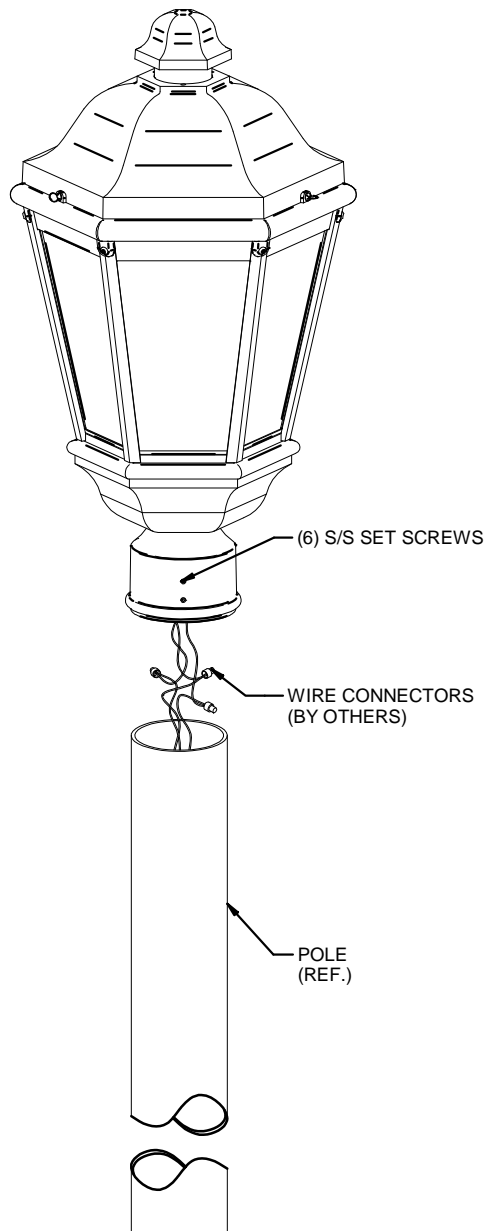
# Towne Commons Installation Guide

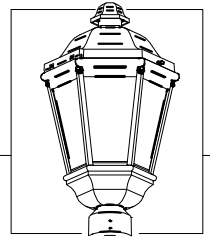
Fixture: ALN440/ALN445 - Towne Commons

## POST TOP MOUNT

### STEPS:

- 1) Turn off power to the unit and take proper safety precaution.
- 2) Make wire connections from incoming supply to arm/fixture assembly and slip over pole. Purple and gray are 0-10V dimming wires, and can be connected when necessary.  
(NOTE: WHITE TO WHITE, BLACK TO BLACK, AND GREEN TO GREEN)
- 3) Rotate fixture assembly to desired orientation. Securely tighten (6) 1/4-20 S/S set screws by using 1/8" hex screw driver.
- 4) Turn on power and check for operation.
- 5) Installation is complete.





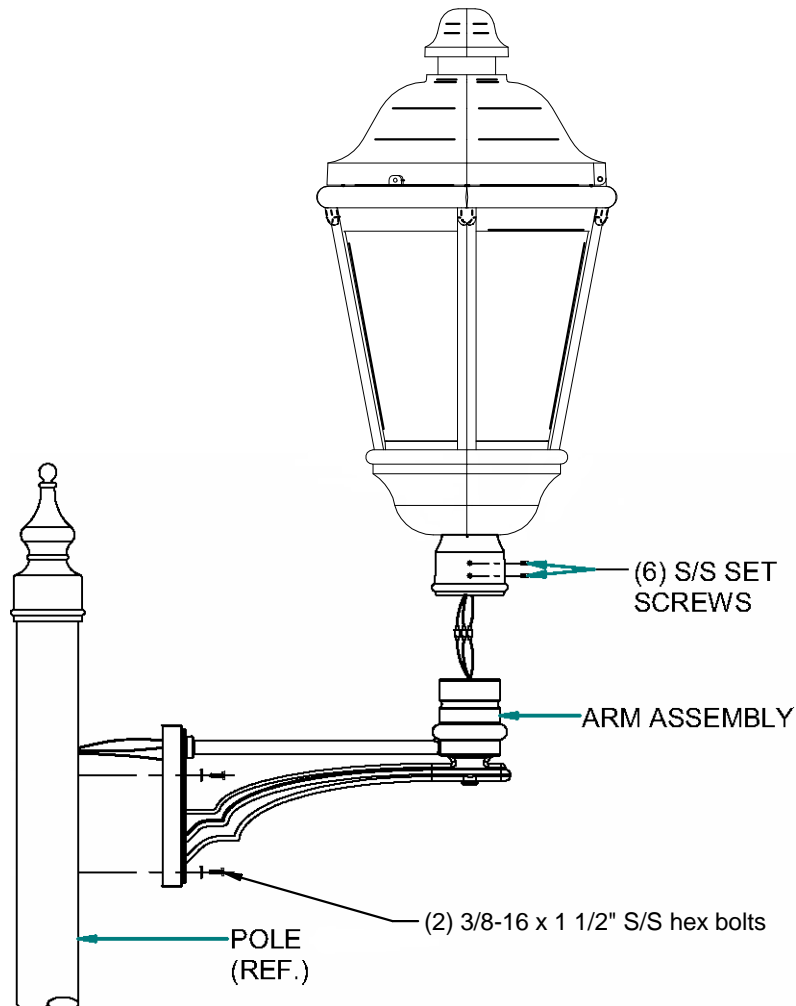
# Towne Commons Installation Guide

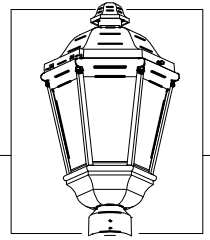
Fixture: ALN440/ALN445 - Towne Commons

## POLE MOUNT ARM

### STEPS:

- 1) Turn off power to the unit and take proper safety precaution.
- 2) Make wire connections from incoming supply to arm/fixture assembly. Purple and gray are 0-10V dimming wires, and can be connected when necessary.  
(NOTE: WHITE TO WHITE, BLACK TO BLACK, AND GREEN TO GREEN)
- 3) Secure arm assembly to the pole with (2) 3/8-16 x 1 1/2" S/S hex bolts and lock washers.
- 4) Make wire connections from arm to fixture as shown.
- 5) Secure fixture to arm with (6) 1/4-20 x 1" S/S set screws by using 1/8" hex screw driver.
- 6) Turn on power and check for operation.
- 7) Installation is complete.





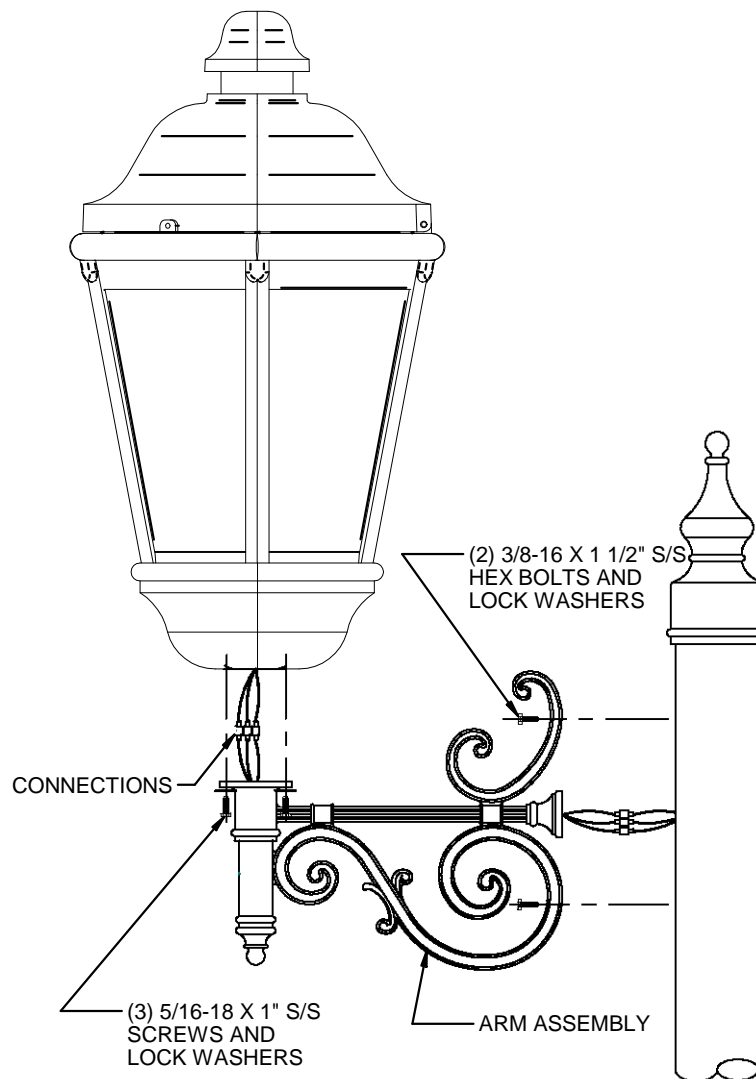
# Towne Commons Installation Guide

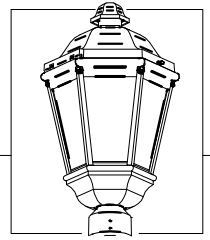
Fixture: ALN440/ALN445 - Towne Commons

## POLE MOUNT DECORATIVE ARM UP

### **STEPS:**

- 1) Turn off power to the unit and take proper safety precaution.
- 2) Make wire connections from incoming supply to arm/fixture assembly. Purple and gray are 0-10V dimming wires, and can be connected when necessary.  
(NOTE: WHITE TO WHITE, BLACK TO BLACK, AND GREEN TO GREEN)
- 3) Secure arm assembly to the pole with (2) 3/8-16 x 1 1/2" S/S hex bolts and lock washers
- 4) Make wire connections from arm to fixture as shown.
- 5) Secure fixture to arm with (3) 5/16-18 x 1" S/S screws and lock washers.
- 6) Turn on power and check for operation.
- 7) Installation is complete.





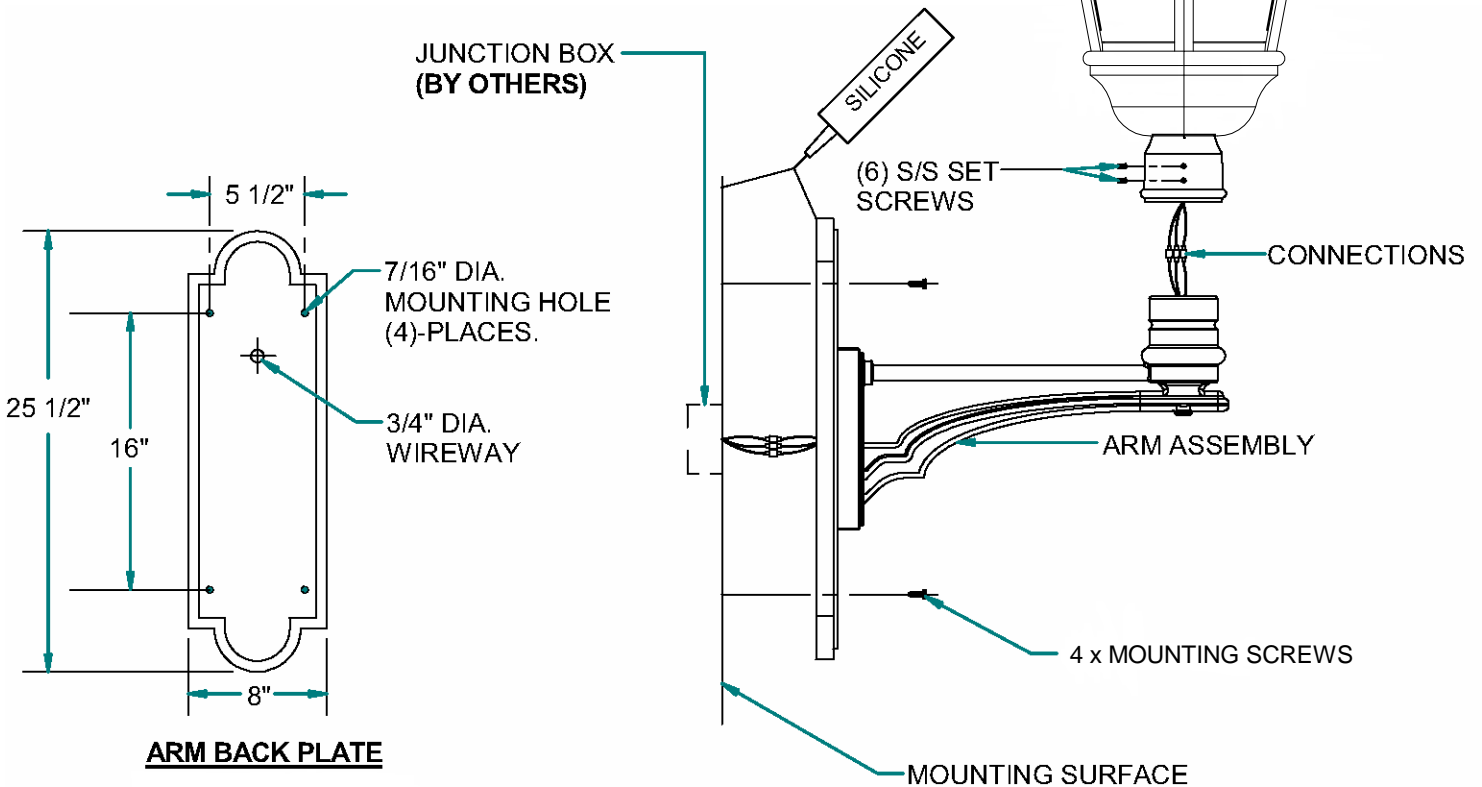
# Towne Commons Installation Guide

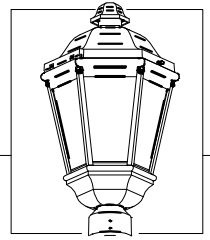
Fixture: ALN440/ALN445 - Towne Commons

## WALL MOUNT ARM UP

### STEPS:

- 1) Turn off power to the unit and take proper safety precaution.
- 2) Make wire connections from incoming supply to arm/fixture assembly. Purple and gray are 0-10V dimming wires, and can be connected when necessary. (NOTE: WHITE TO WHITE, BLACK TO BLACK, AND GREEN TO GREEN)
- 3) Secure arm assembly to the mounting surface by using (4) mounting hardware (NOTE: MOUNTING HARDWARE BY OTHERS)
- 4) Make wire connections from arm to fixture as shown.
- 5) Secure fixture to arm with (6) 1/4-20 S/S set screws by using 1/8" hex screw driver.
- 6) Apply silicone continuously all around the back plate and mounting surface.
- 7) Turn on power and check for operation.
- 8) Installation is complete.





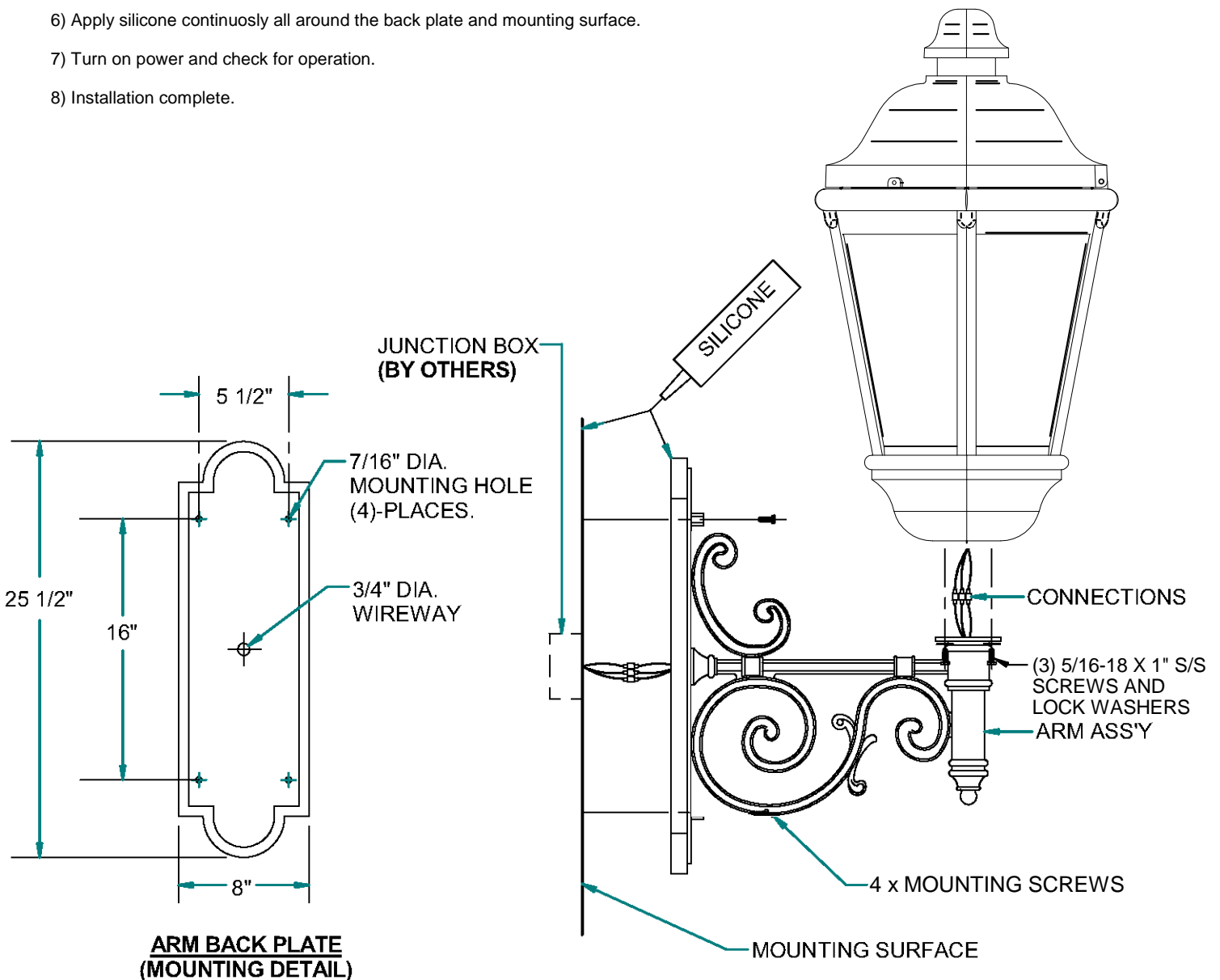
# Towne Commons Installation Guide

Fixture: ALN440/ALN445 - Towne Commons

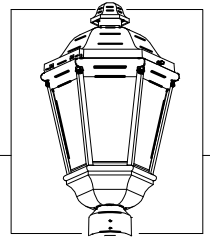
## WALL MOUNT DECORATIVE ARM UP

### STEPS:

- 1) Turn off power to the unit and take proper safety precaution.
- 2) Make wire connections from incoming supply to arm/fixture assembly. Purple and gray are 0-10V dimming wires, and can be connected when necessary. (NOTE: WHITE TO WHITE, BLACK TO BLACK, AND GREEN TO GREEN)
- 3) Secure arm assembly to the mounting surface by using (4) mounting hardware (NOTE: MOUNTING HARDWARE BY OTHERS)
- 4) Make wire connections from arm to fixture as shown.
- 5) Secure fixture to arm with (3) 5/16-18 x 1" S/S screws and lock washers.
- 6) Apply silicone continuously all around the back plate and mounting surface.
- 7) Turn on power and check for operation.
- 8) Installation complete.







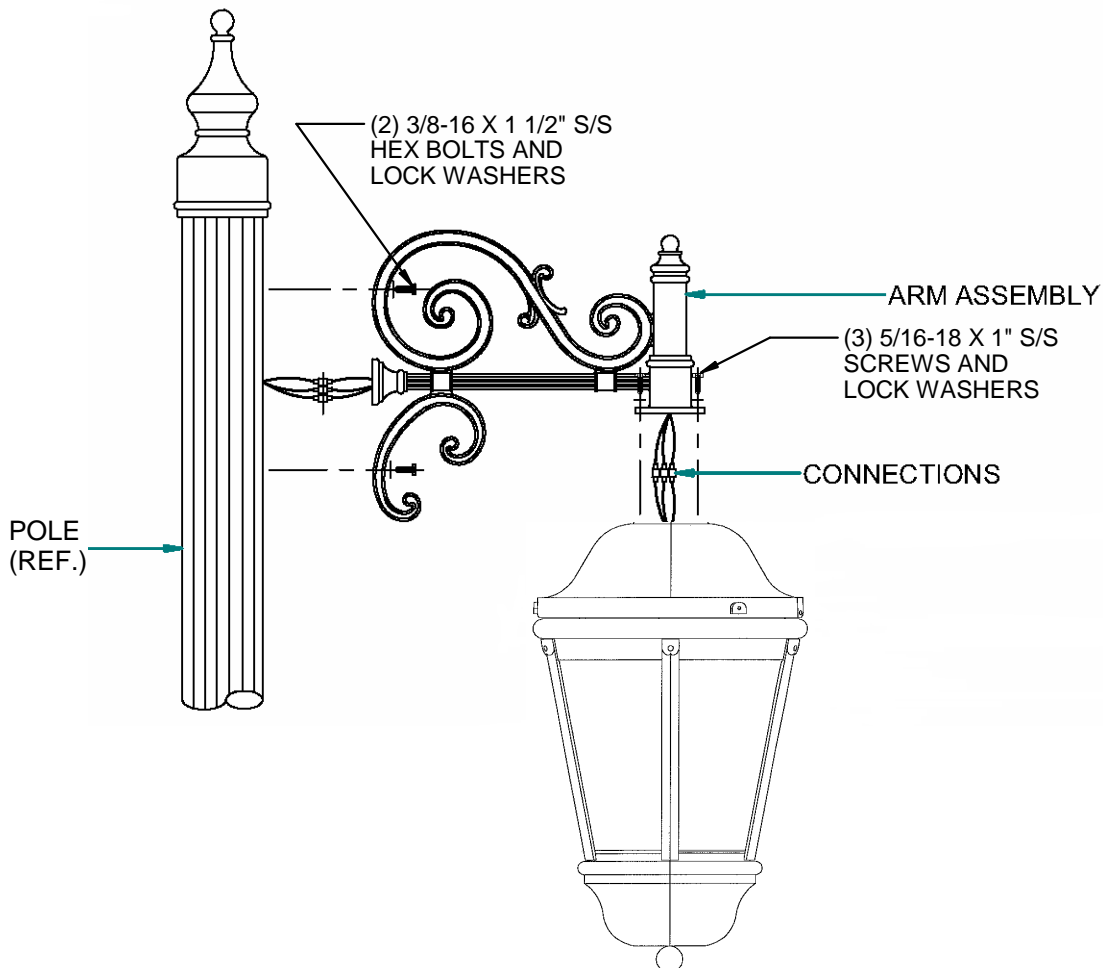
# Towne Commons Installation Guide

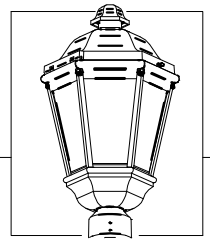
Fixture: ALN440/ALN445 - Towne Commons

## POLE MOUNT DECORATIVE ARM DOWN

### STEPS:

- 1) Turn off power to the unit and take proper safety precaution.
- 2) Make wire connections from incoming supply to arm/fixture assembly. Purple and gray are 0-10V dimming wires, and can be connected when necessary.  
(NOTE: WHITE TO WHITE, BLACK TO BLACK, AND GREEN TO GREEN)
- 3) Secure arm assembly to the pole with (2) 3/8-16 x 1 1/2" hex bolts and lock washers
- 4) Make wire connections from arm to fixture as shown.
- 5) Secure fixture to arm with (3) 5/16-18 x 1" S/S screws and lock washers.
- 6) Turn on power and check for operation.
- 7) Installation is complete.





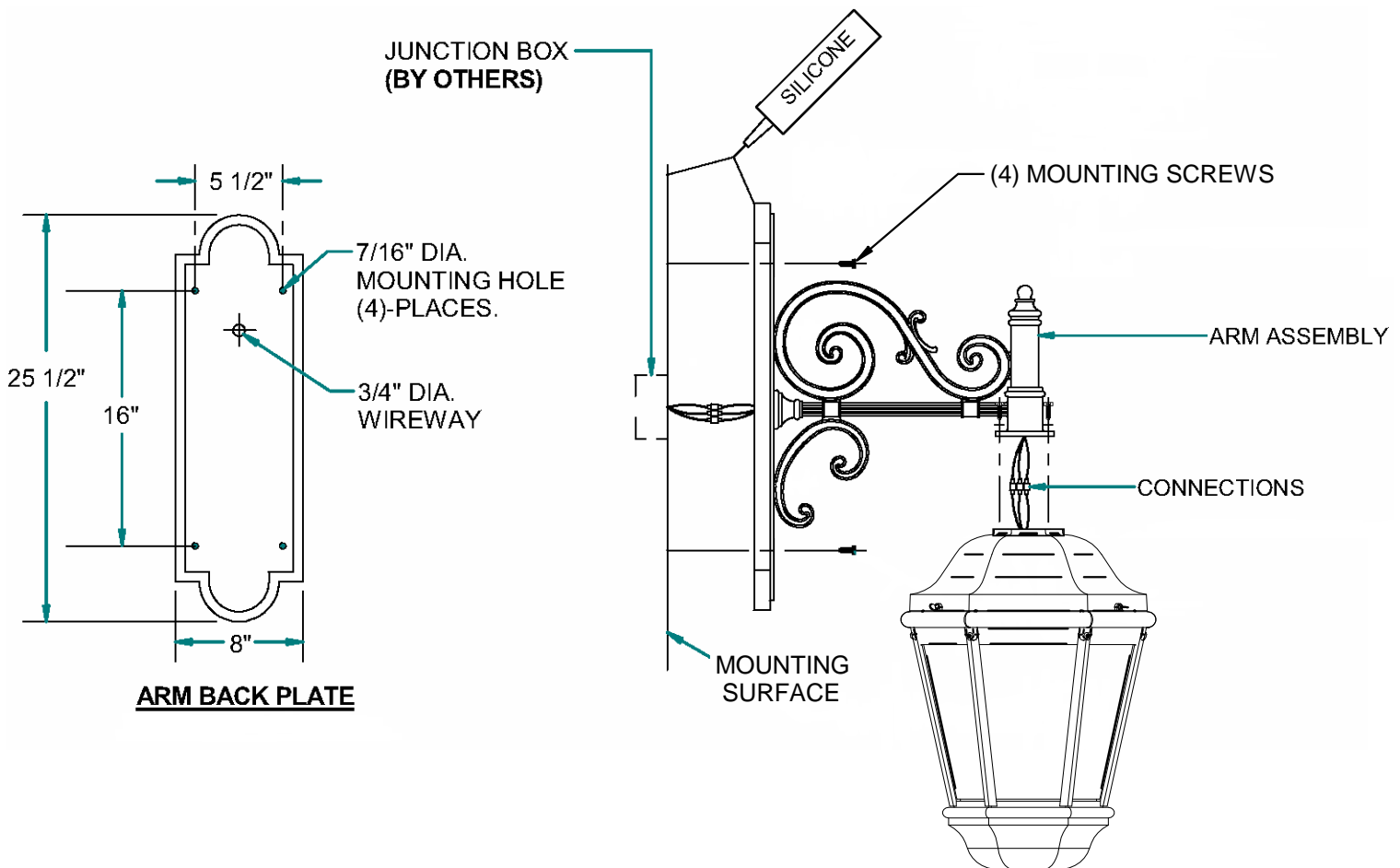
# Towne Commons Installation Guide

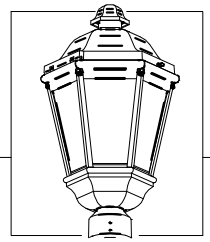
Fixture: ALN440/ALN445 - Towne Commons

## WALL MOUNT DECORATIVE ARM DOWN

### STEPS:

- 1) Turn off power to the unit and take proper safety precaution.
- 2) Make wire connections from incoming supply to arm/fixture assembly. Purple and gray are 0-10V dimming wires, and can be connected when necessary.  
(NOTE: WHITE TO WHITE, BLACK TO BLACK, AND GREEN TO GREEN)
- 3) Secure arm assembly to the mounting surface by using (4) mounting hardware  
(NOTE: MOUNTING HARDWARE BY OTHERS)
- 4) Make wire connections from arm to fixture as shown.
- 5) Secure fixture to arm with (3) 5/16-18 x 1" S/S screws and lock washers.
- 6) Apply silicone continuously all around the back plate and mounting surface.
- 7) Turn on power and check for operation.
- 8) Installation complete.





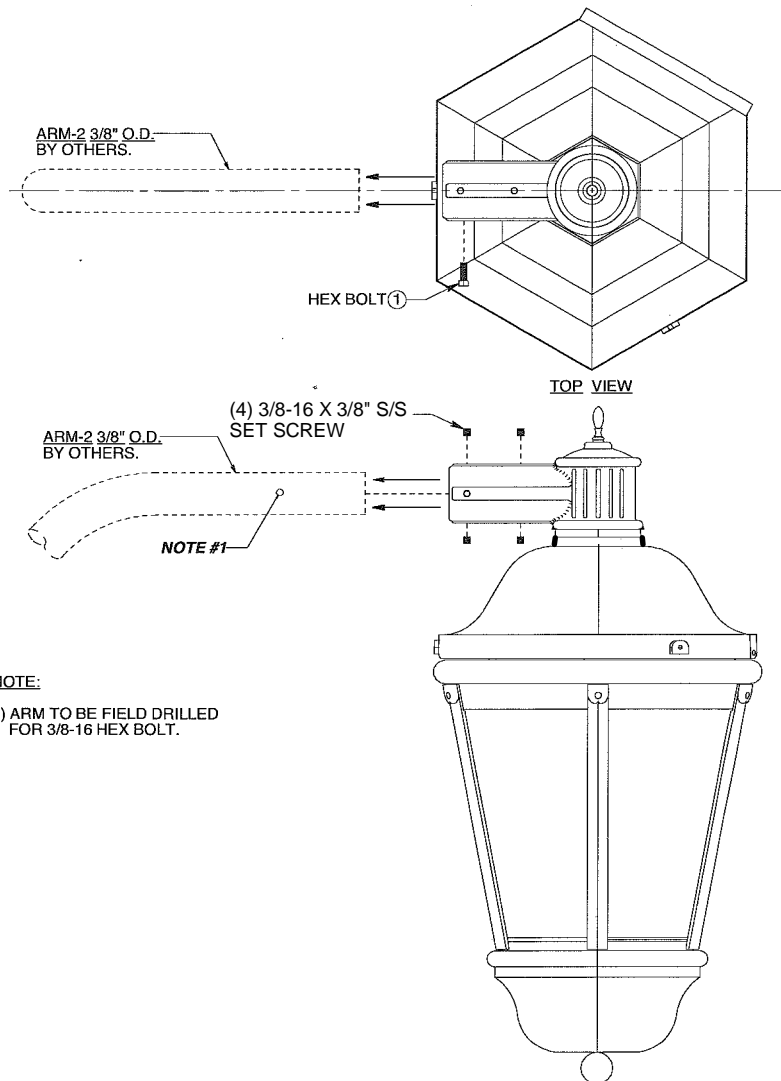
# Towne Commons Installation Guide

Fixture: ALN440/ALN445 - Towne Commons

## POLE MOUNT ARM DOWN

### STEPS:

- 1) Turn off power to the unit and take proper safety precaution.
- 2) Make wire connections from incoming supply to arm/fixture assembly. Purple and gray are 0-10V dimming wires, and can be connected when necessary. (NOTE: WHITE TO WHITE, BLACK TO BLACK, AND GREEN TO GREEN)
- 3) Secure arm assembly to the pole with (1) 3/8-16 x 1" S/S hex bolts and lock washers. (NOTE: ARM TO BE FIELD DRILLED FOR 3/8-16 HEX BOLT)
- 4) Make wire connections from arm to fixture as shown.
- 5) Secure fixture to arm with (4) 3/8-16 x 1" S/S set screws.
- 6) Turn on power and check for operation.
- 7) Installation is complete.

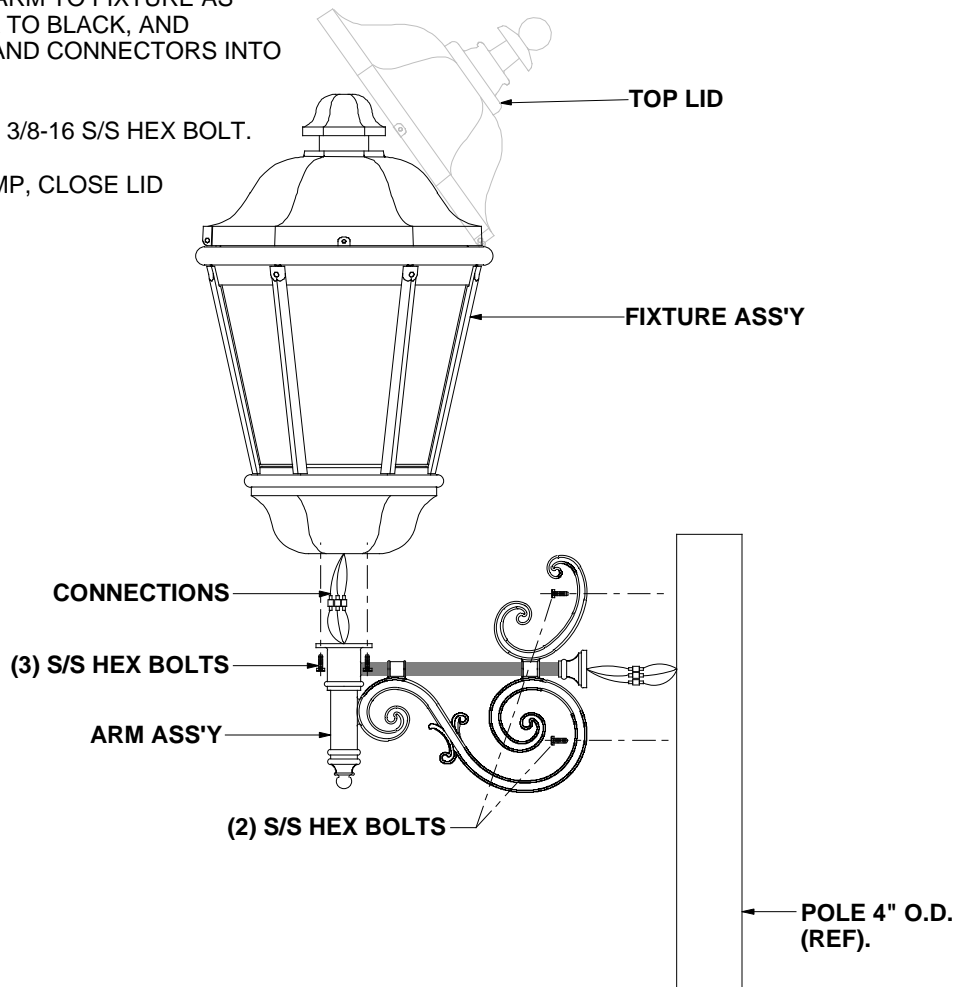


**NOTE:**  
1) ARM TO BE FIELD DRILLED FOR 3/8-16 HEX BOLT.

# INSTALLATION INSTRUCTIONS

## INSTALLATION INSTRUCTIONS

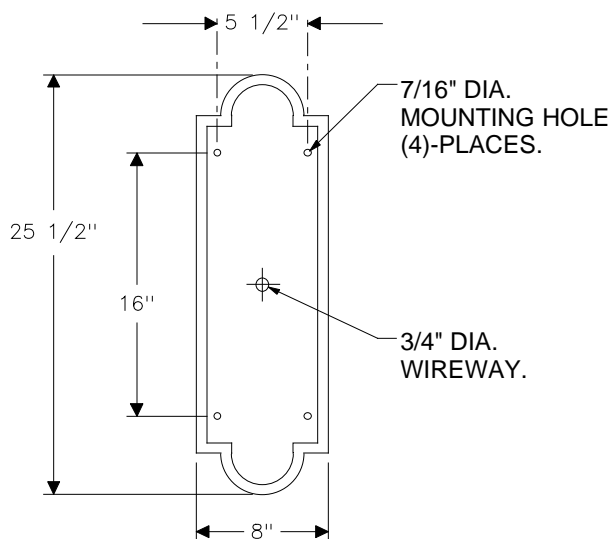
- 1) TURN OFF POWER.
- 2) SECURE ARM ASS'Y TO POLE WITH (2) S/S HEX BOLT.  
HOLE FOR 3/8-16 S/S HEX BOLT TO BE FIELD DRILLED  
AND TAPPED INTO POLE BY OTHERS.
- 3) MAKE WIRE CONNECTION FROM INCOMING SUPPLY  
TO ARM AS SHOWN. (NOTE-ASSEMBLY MUST BE GROUNDED  
TO INCOMING EQUIPMENT GROUND SUPPLY.
- 4) MAKE WIRE CONNECTIONS FROM ARM TO FIXTURE AS  
SHOWN. (WHITE EO WHITE, BLACK TO BLACK, AND  
GREEN TO GREEN). PUSH WIRES AND CONNECTORS INTO  
FIXTURE.
- 5) SECURE FIXTURE TO ARM WITH (3) 3/8-16 S/S HEX BOLT.
- 6) OPEN TOP LID. INSTALL REQ'D LAMP, CLOSE LID  
AND SECURE.



# INSTALLATION INSTRUCTIONS

## INSTALLATION INSTRUCTIONS

- 1) TURN OFF POWER.
- 2) MAKE WIRE CONNECTION FROM INCOMING SUPPLY TO ARM AS SHOWN. (NOTE-ASSEMBLY MUST BE GROUNDED TO INCOMING EQUIPMENT GROUND SUPPLY.)
- 3) SECURE ARM ASS'Y TO MOUNTING SURFACE (WALL). (NOTE: MOUNTING HARDWARE BY OTHERS).
- 4) MAKE WIRE CONNECTIONS FROM ARM TO FIXTURE AS SHOWN. (WHITE TO WHITE, BLACK TO BLACK, AND GREEN TO GREEN). PUSH WIRES AND CONNECTORS INTO FIXTURE.
- 5) SECURE FIXTURE TO ARM WITH (3) 5/16-18 x 1" S/S SCREWS AND LOCK WASHERS.
- 6) TO INSTALL LAMP, LOOSEN THE (2) SET SCREWS FROM HOOD, OPEN HOOD AND INSTALL REQUIRED LAMP, CLOSE HOOD AND SECURE.
- 7) APPLY CONTINUOUS BEAD OF SILICONE ALL AROUND BACK PLATE WHERE IT MEETS MOUNTING SURFACE.



**ARM BACK PLATE**  
(MOUNTING DETAIL)

