

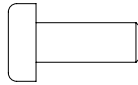


# Seismic Rated LSN

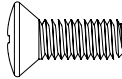
## Supplemental Instructions for LSN Central Lighting Inverters

### HARDWARE LIST

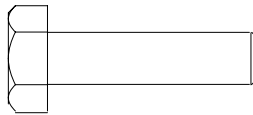
Screw "A"  
0360112  
10-32 X 1/2 PPH



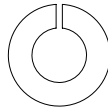
Screw "B"  
93022307  
#10-32 Oval Hd Mach Scr



Screw "C1"  
0360768  
1/4-20 X 1" Hex HD



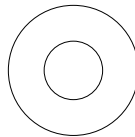
Washer "L1"  
0360360  
#1/4 Lock Washer



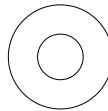
Washer "L2"  
681701  
#10 Lock Washer



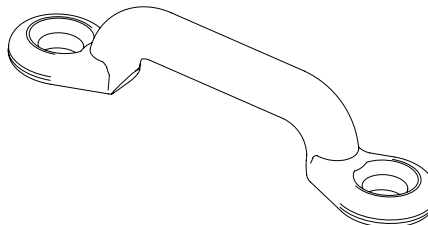
Washer "W1"  
0360359  
1/4 Flat Washer



Washer "W2"  
0360348  
#10 Flat Washer



Anchor "K"  
93021837  
Battery Strap Anchor



**NOTE: Apply Loctite (provided) on all threaded fasteners.**

93049250

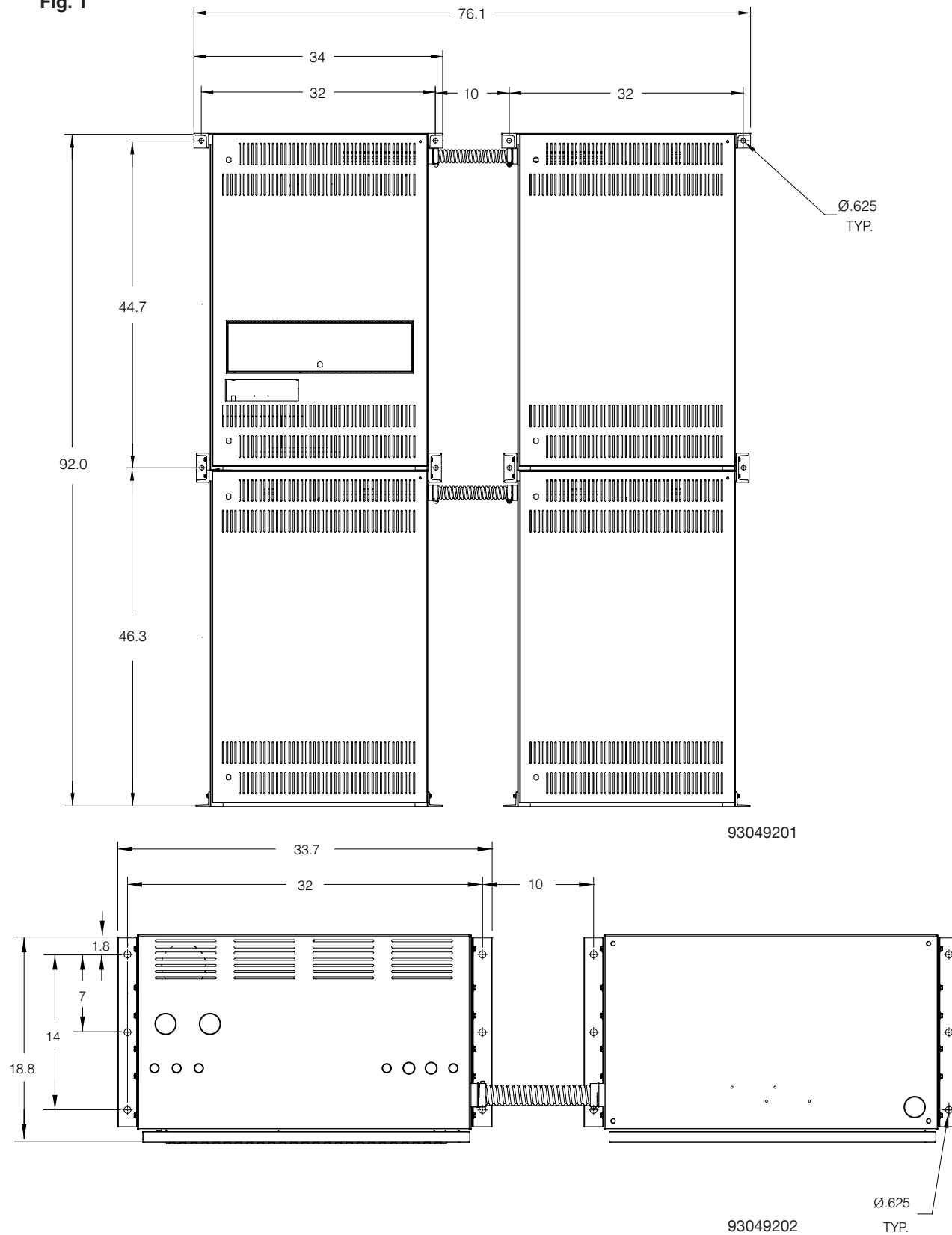
## CABINET MOUNTING

**NOTE:** This supplemental instruction sheet replaces cabinet mounting section 104 in the LSN instruction manual. **NOTE:** The anchor spacing between cabinets in configuration B and C is 10". Anchors, nuts and washers are not provided in this kit.

**CAUTION-** Leave all factory installed side cabinet screws in, until removal is required per this instruction sheet.

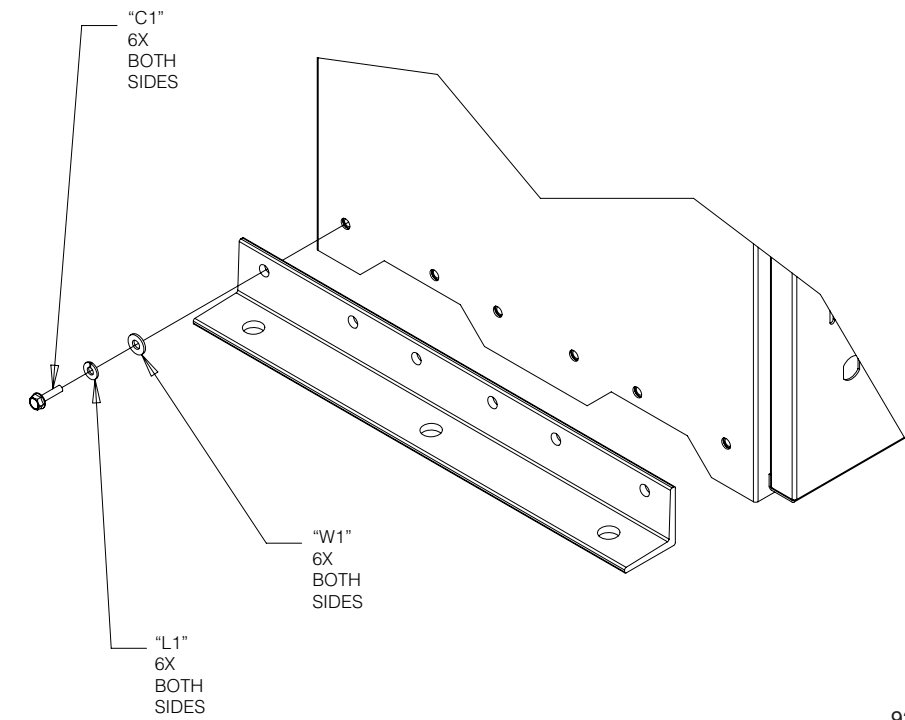
1. Locate and mount (6) HILTI Kwik Bolt - Tensile Zone (KB-TZ)-1/2 (3¾") anchors per cabinet, with 4" embedment, according to the spacing specified in **Fig.1**.

**Fig. 1**



2. Loosely fasten supplied angle brackets with washers and hex nuts (not provided) to the anchors in the base. Slide cabinet(s) in between brackets and tightly secure brackets to cabinet(s) with screws "C1" and washers "W1" and "L1" as shown in **Fig. 2**. Once brackets are tight against the cabinets, tighten the brackets to the anchors.

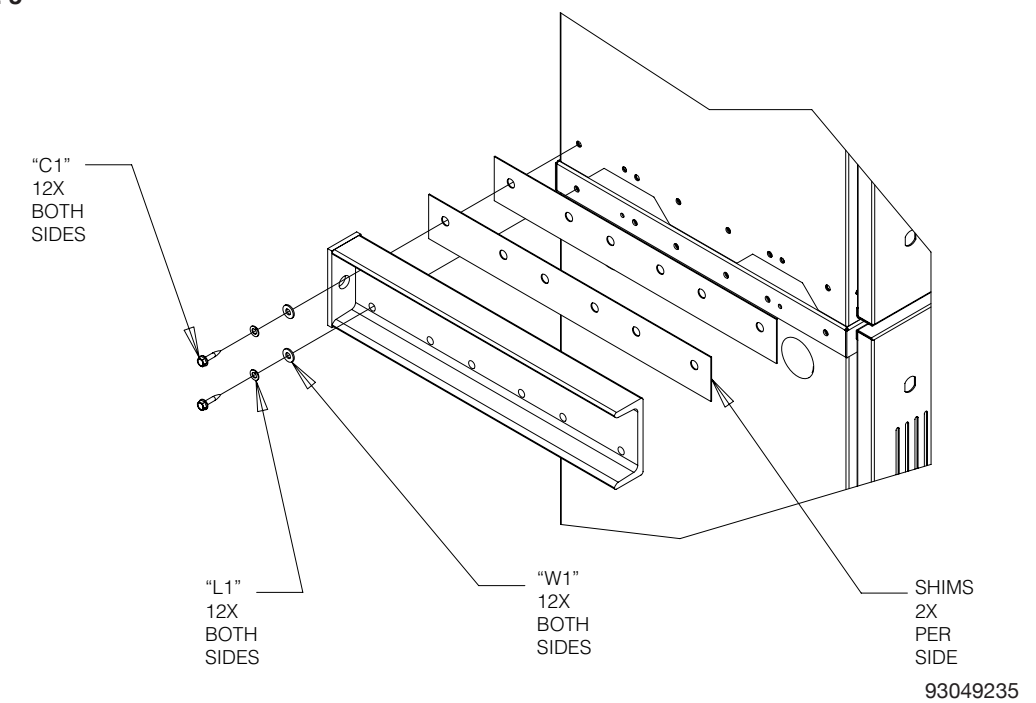
**Fig. 2**



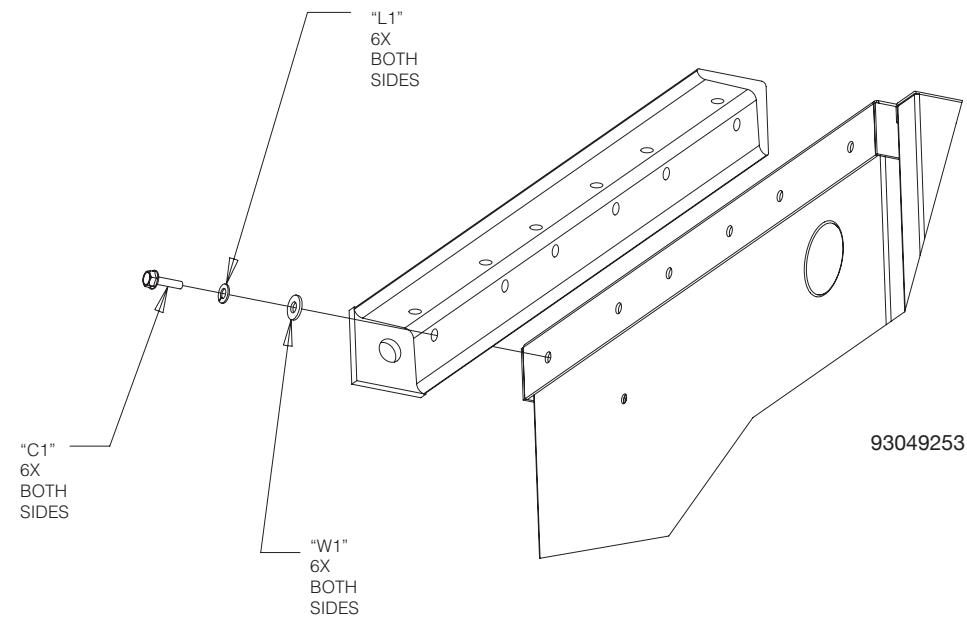
3. Secure upper cabinet(s) to lower cabinet(s) with "C" brackets, screws, and washers "L1" and "W1" as shown in **Fig.3**. Shims are to be placed behind the plate on the top row for proper cabinet alignment.

**NOTE:** Do NOT install the wall mounting angle brackets provided with the inverters.

**Fig. 3**



- Affix top MTG bracket to upper cabinet(s) with screws "C1" and washers "L1" and "W1" as shown.

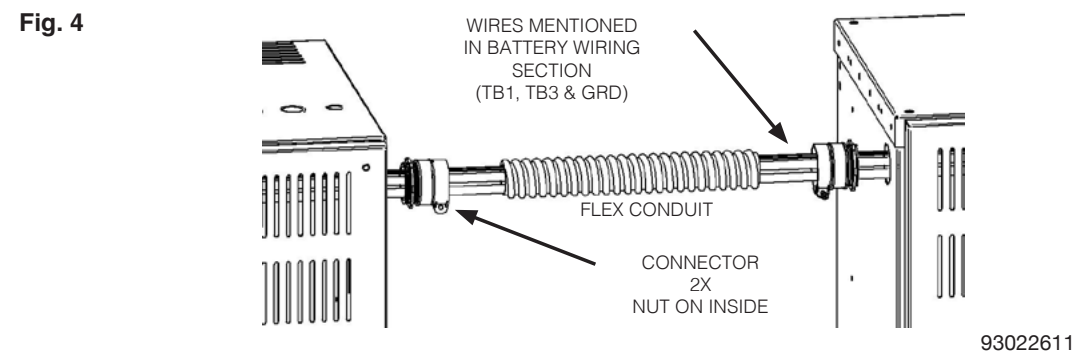


\*NOTE: The inverter's mounting brackets need to be secured to the wall using the bracket holes with a suitable fastener dependent on the wall construction.

## INTERCABINET CONNECTIONS

**NOTE: This section replaces section 105.2, step 2 in the LSN instruction manual.**

- For B and C cabinet configurations, install the conduit fittings and flex conduit between the cabinets as shown in Fig.4. Remove the knockouts for the 1½" fitting in the side of each cabinet and secure in the fittings through the holes with the nut included with the fittings. Place the flex conduit in the ends of each fitting and tighten the screws to secure the conduit. Repeat for both cabinet sets for configuration C.



## BATTERY MOUNTING

For battery mounting and shelf installation, follow procedures found in the LSN Instruction Manual, Section 105.3, with the additional steps shown in Figs. 5 - 9. Install all (6) strap anchors "K" with screws "B" supplied in kit shown in Fig. 5.

Fig. 5

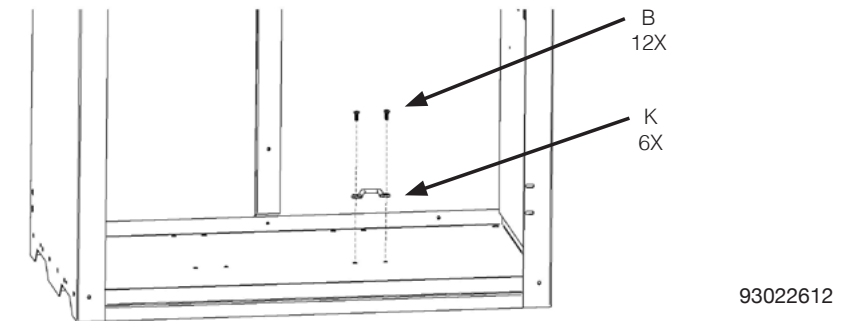
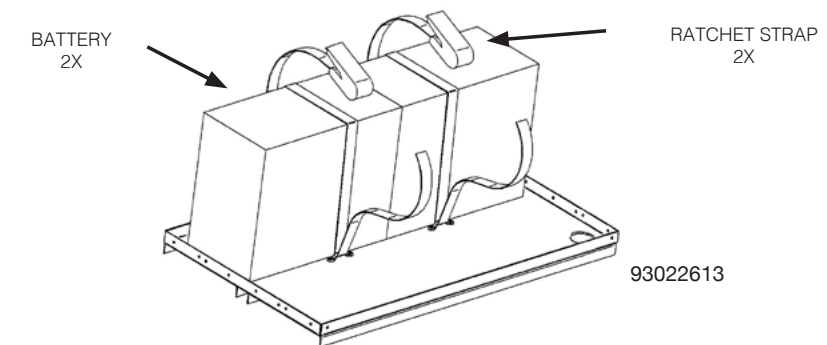
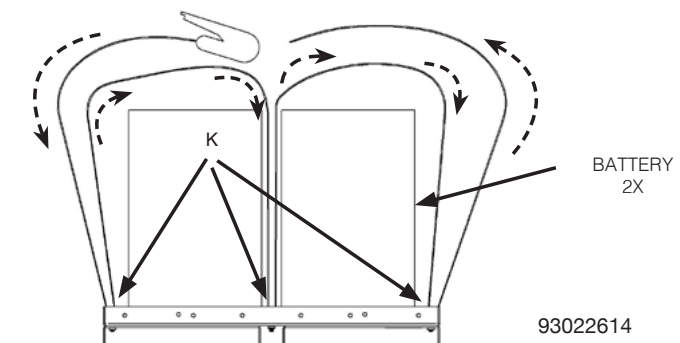


Fig. 6



Thread straps through back and middle anchors and place **OVER** batteries as shown in Fig. 6. **NOTE: No part of straps should be under batteries. For all batteries, keep the positive terminal to the right side of the cabinet.**

Fig. 7



Place front batteries in between middle and front "K" anchors and thread straps **OVER** batteries as shown in Fig7. Thread end of strap into ratchet and tighten until batteries are secure.





**Current Lighting Solutions, LLC**

701 Millennium Blvd.  
Greenville, SC 29607

**[currentlighting.com](http://currentlighting.com)/**<Designated Brand>****

© 2022 HLI Solutions, Inc. All rights reserved. Information and specifications subject to change without notice. All values are design or typical values when measured under laboratory conditions.

Rev 06/06/22

93049178\_dl\_lsn\_sesmic\_inst\_16-R01

93022607  
93022608  
93022610  
93022611  
93022612  
93022613  
93022614  
93022615  
93049250  
93050260

93049178\_C