



⚠ WARNING: Fixtures must be grounded in accordance with local codes or the National Electrical Code. Failure to do so may result in serious personal injury.

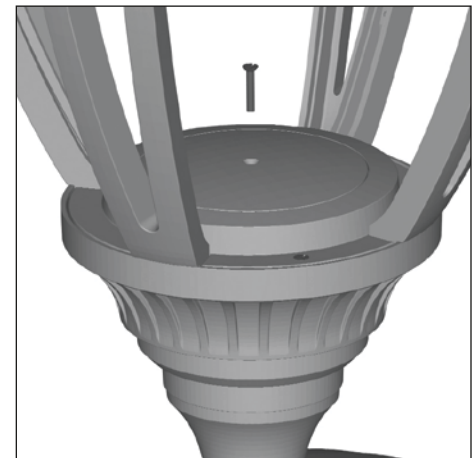
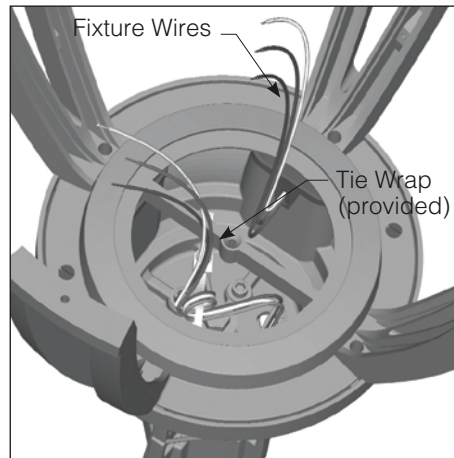
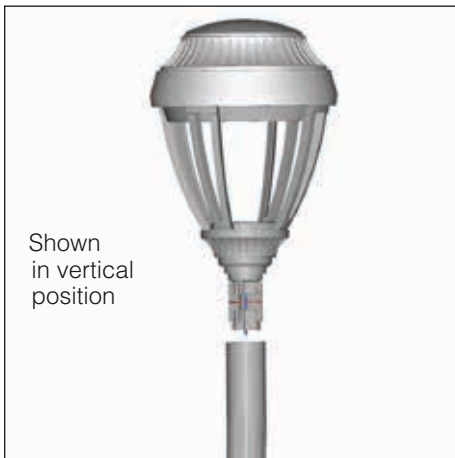
MAINTENANCE: A regularly scheduled maintenance program should be established to retain optimum light output and reduce heat retention. Dusting with a soft, clean, dry, cloth is normally sufficient for the reflector. Any accumulation of dust or dirt should be removed regularly from both sides of the lens during re-lamping (using ammonia water). Do not use alkaline or acid cleaners on reflectors. CAUTION: All wiring must be done by a qualified electrician. DO NOT operate luminaire with missing or damaged lens.

KEEP THIS SHEET FOR FUTURE REFERENCE.

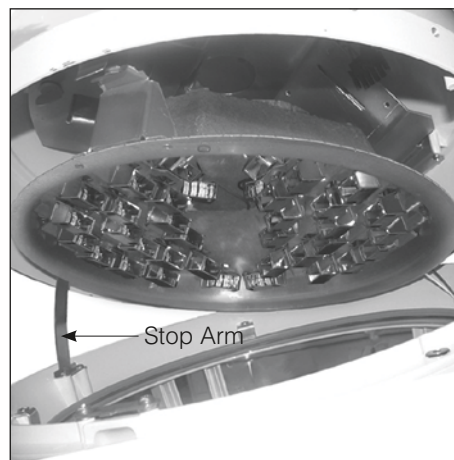
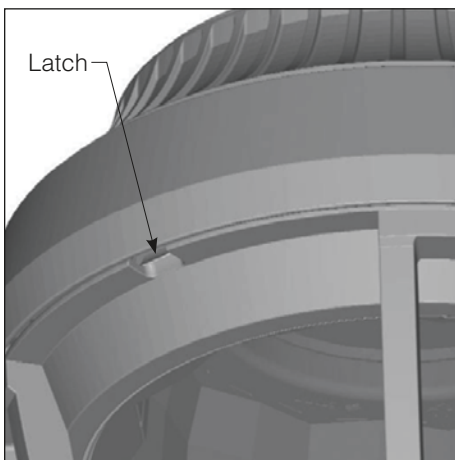
Tools Required:

- 9/16" Socket Wrench
- Torque Wrench
- 1/8" Allen Wrench

LEB - FIXTURE ATTACHMENT TO POLE: **⚠** Make certain electrical supply is **OFF** before starting fixture installation.



- 1.** Lay pole horizontal on padded supports to protect finish. Pull field wires through pole and spreader into fixture splice compartment. Install fixture onto pole and tighten spreader to 20 ft.-lbs. torque.
- 2.** Thread field wires through tie wrap (provided) and back loop the wires. Connect fixture wires to field wires observing polarity; i.e., green-to-ground, white-to-common, and black-to-voltage.
- 3.** Install splice cover using screw provided.



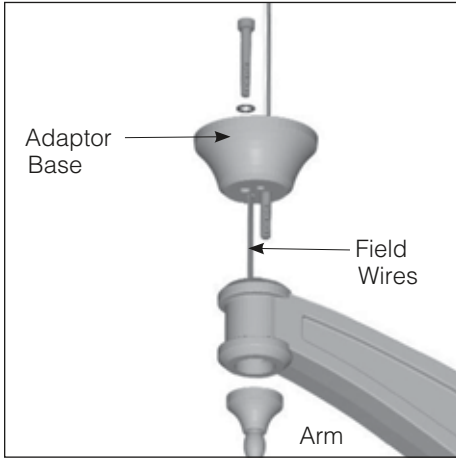
- 4.** Depress latch to open for EmitterDeck®, and electronic driver access.
- 5.** Install EmitterDeck. Release stop arm and snap lens frame to close.

Tools Required:

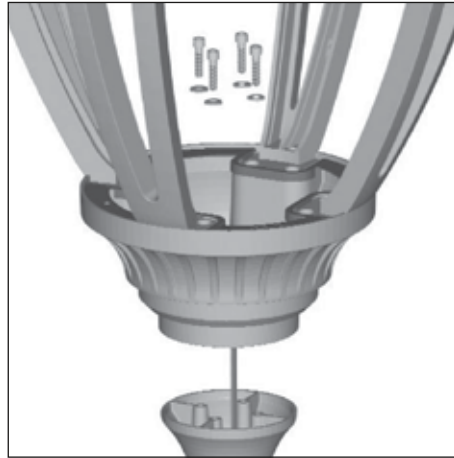
LEB19/LEB26: □ 1/8" Allen Wrench □ 3/16" Allen Wrench □ 1/4" Allen Wrench □ 5/16" Allen Wrench □ Torque Wrench

LEB - BOTTOM FIXTURE ATTACHMENT TO ARM INSTRUCTIONS:

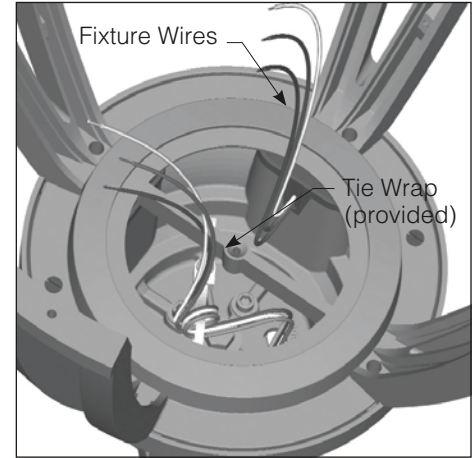
⚠ Make certain electrical supply is **OFF** before starting installation.



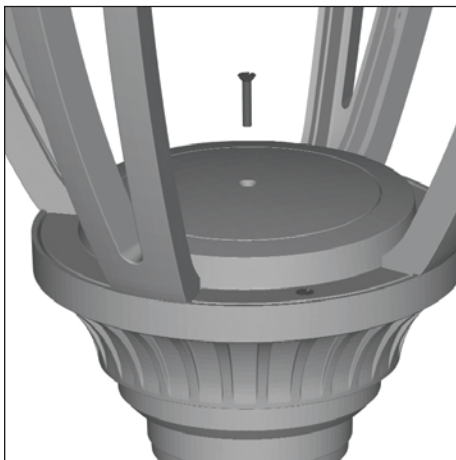
1. Pull wires through arm and adapter. Install finial or cap. Install adapter base to arm with bolts and washer supplied. Torque to 20 ft. lbs.



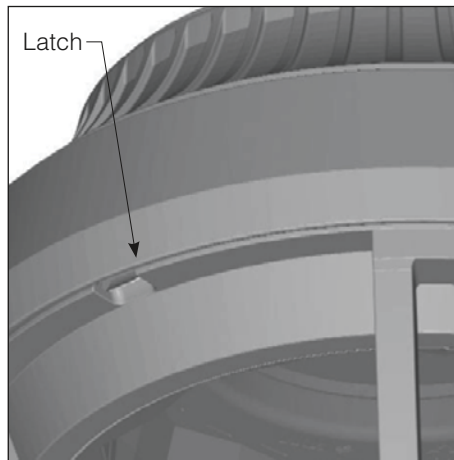
2. Insert field wire into fixture splice compartment. Install fixture onto adapter base with the four washers and screws using a 3/16" Allen wrench. Tighten progressively until tight.



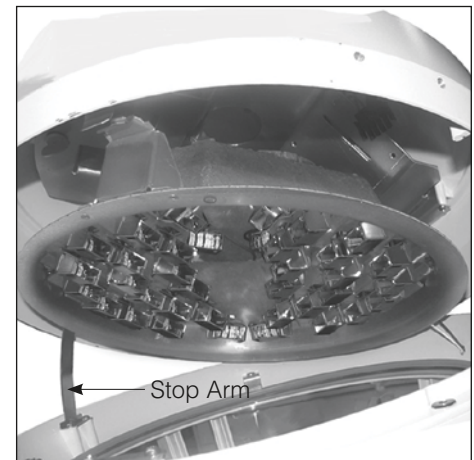
3. Loop wire through tie-wrap to prevent wires from disconnecting. Connect fixture wires to field wires observing polarity; i.e., green-to-ground, white-to-common, and black-to-voltage.



4. Install splice cover onto fixture using screw provided.



5. Depress latch to open and gently swing down lens frame assembly for EmitterDeck and electronic driver access.



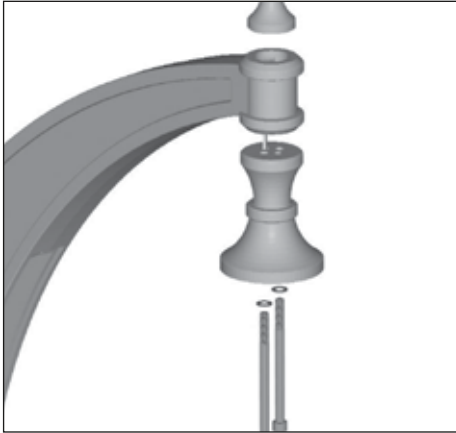
6. Install EmitterDeck as shown on fixture label. Release stop arm & snap to close.

Tools Required:

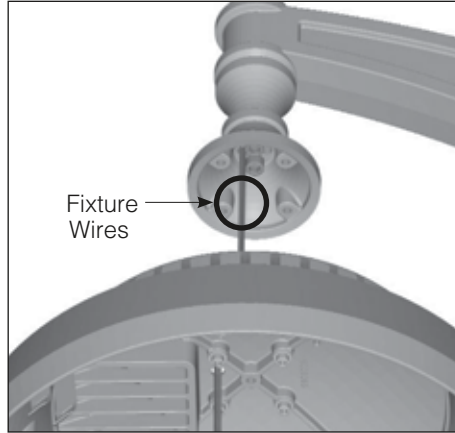
- LEB19/LEB26:** 1/8" Allen Wrench 3/16" Allen Wrench 1/4" Allen Wrench 5/16" Allen Wrench Torque Wrench
 1/2" Socket Wrench

LEB -TOP FIXTURE ATTACHMENT TO ARM INSTRUCTIONS:

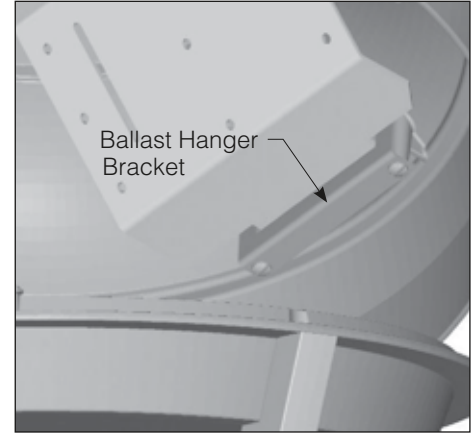
⚠ Make certain electrical supply is **OFF** before starting installation.



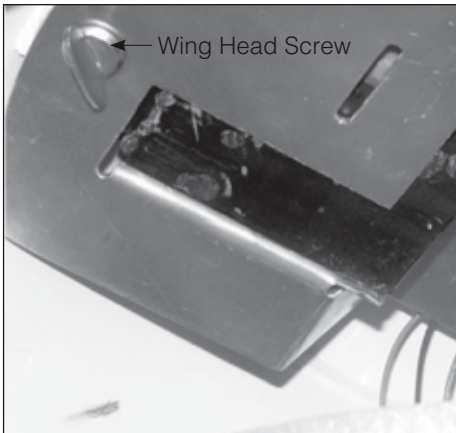
1. Pull wires through arm and adapter. Install adapter base & finial cap to arm with washers and screws using a 5/16" Allen wrench. Tighten to 20 ft. lbs.



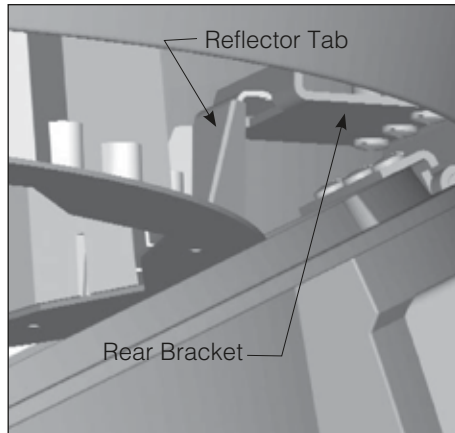
2. Attach fixture to arm with washers and bolts. Keep wires tight to avoid pinching. Tighten progressively until tight.



3. Using both hands. Insert tab on electronic driver assembly through slot on driver hanger bracket.



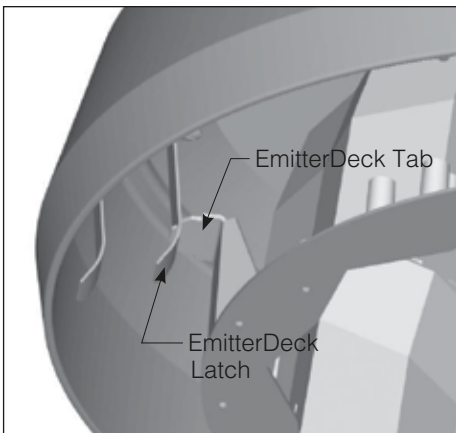
4. Swing electronic driver assembly into fixture and secure with wing-head screw.



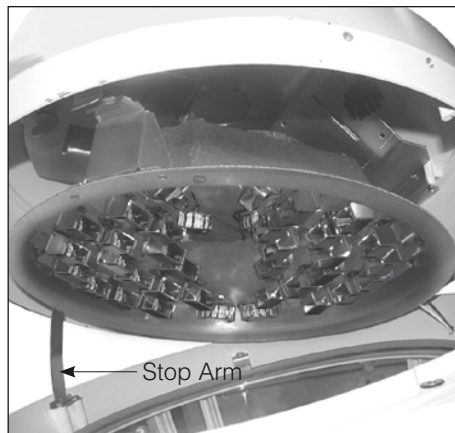
5. Install EmitterDeck by inserting into rear bracket and lay EmitterDeck assembly in lens frame.



6. Connect quick-disconnects.



7. Swing EmitterDeck into housing & secure EmitterDeck tab into the front EmitterDeck latch.

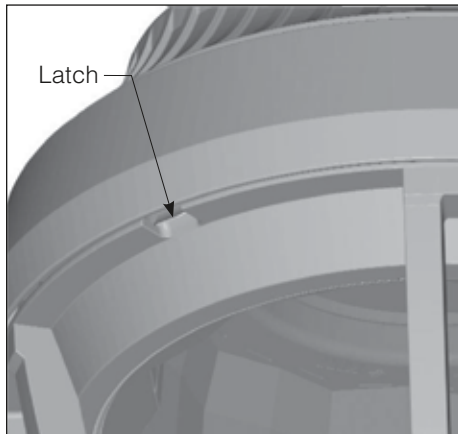


8. Install EmitterDeck as shown on fixture label. Release stop arm & snap to close.

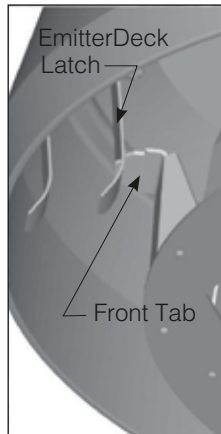


ELECTRONIC DRIVER ACCESS:

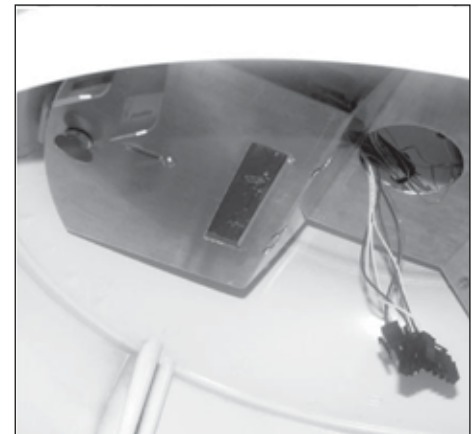
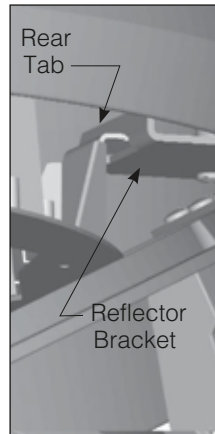
⚠ Make certain electricity is **OFF** before starting replacement.



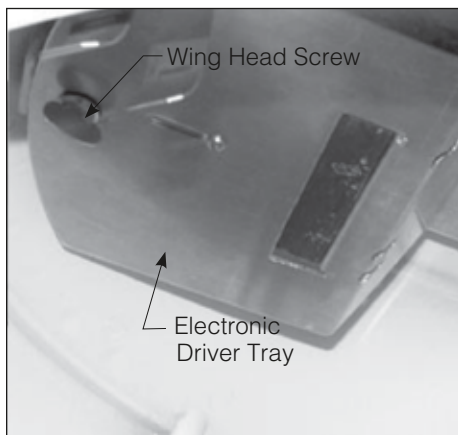
1. Depress latch to open lens frame.



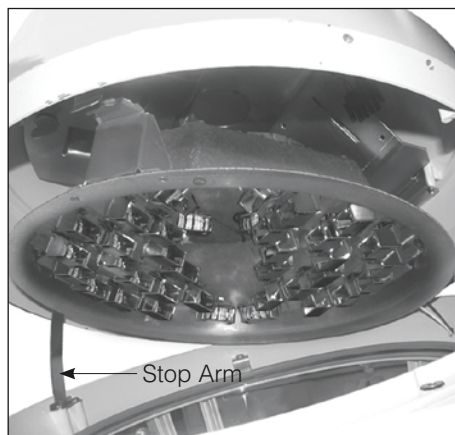
2. Remove the EmitterDeck by unhooking the tab on the front and slide it out of the rear bracket.



3. Separate the disconnect plug halves between the socket & the electronic driver.

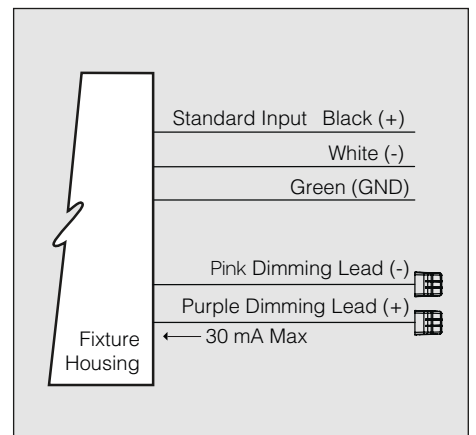


4. Remove wing head screw and swing the electronic driver tray down. Re-install electronic driver and tighten securely with screws



5. Install EmitterDeck as shown on fixture label. Release stop arm & snap to close.

0-10V Dimming



Driver has a 0-10V dimming interface with a dimming range of 10-100%. Is compatible with most control systems. Approved dimmers include Lutron Diva AVTV, Lutron Nova NFTV and NTFTV. Note: Not compatible with current sourcing dimmers. Controls compatible via Pink and Purple dimming lead.



PICOEMITTER LED LUMINAIRE WARRANTY

When properly installed and under normal conditions of use, Kim Lighting warrants PicoEmitter luminaire products ("Product(s)") sold by Kim Lighting to be free from defects in material and workmanship for (i) a period of five (5) years for metal parts a period of five (5) years (ii) for LED power components (LED Driver, LifeShield Device), (iii) a period of six (6) years for LED Light Engines (PicoEmitters) and, (iv) a period of ten (10) years for exterior housing paint finish(s), from the date of sale of such goods to the buyer as specified in Kim Lighting shipment documents Warranty claims must be made in writing according to Kim Lighting procedures existing at the time of the claim. Valid warranty claims must be made within the warranty period specified herein above, and submitted within thirty (30) days of discovery of the damage or defect. No FIELD labor, repair, DISMANTLE, or installation charges are included with this warranty. Kim Lighting may repair or replace any Product(s) covered by this warranty at its sole discretion and in accordance with its procedure. Any unauthorized return, repair, replacement or modification of the Product(s) shall avoid this warranty. This warranty applies only to the use of the Product(s) as intended by Kim Lighting and does not cover any for any reason arising hereunder exceed the purchase price paid to Kim Lighting for the product purchased by the buyer hereunder. Contact Kim Lighting for complete warranty language, exceptions, and limitations.

HID-TO-LED UPGRADE KIT WARRANTY

When properly installed and under normal conditions of use, Kim Lighting warrants LED Upgrade Kit products ("Product(s)") sold by Kim Lighting to be free from defects for (i) a period of five (5) years for LED Light Engines (PicoEmitters),(ii) a period of five (5) years for LED power components(LED Driver, LifeShield Device), (iii) a period of six (6) years for LED Light Engines (PicoEmitters) and (iv) for a period of five (5) years for the re-used metal housing components of the existing luminaire from the date of sale of the LED Upgrade Kit to the buyer as specified in Kim Lighting shipment documents for each Product(s). Conditions and limitations of the re-used metal housing component warranty are as follows: 1) Existing luminaire must have been purchased within 10 years prior to the date of sale of the Upgrade Kit, 2) Poles, arms, accessories, and options are excluded, 3) Products installed in harsh or hazardous environments are excluded, 4) Warranty covers defects in material and workmanship in excess of the normal wear and tear to which the luminaire can normally be expected to experience at the judgment of Kim Lighting from the baseline condition of the luminaire at the time of installation and registration of the LED Upgrade Kit, 5) Owner must within 30 days of shipment of the LED Upgrade Kit by Kim Lighting register the project by emailing at least five (5) photo images of at least three (3) upgraded housings to upgrade@kimlighting.com referencing the project name and location, LED Upgrade Kit purchase order number, and approximate purchase date of the existing housing(s). Failure to provide complete registration information within the required 30 days will dissolve the five year housing warranty. 6) Kim Lighting reserves the right to deny the five year metal housing component warranty extension upon review of the submitted product images if the existing/original condition of the product indicates substantially excessive wear and tear beyond normal expectations given the product age. 7) Paint/finish of the fixture housing is excluded from this warranty for fixtures that have been installed for more than ten (10) years prior to the application of and are not included as part of Kim Lighting warranty. The buyer agrees to make all claims regarding defects or deficiencies in the Product(s) at the time of the claim. Valid warranty claims must be made within the warranty period specified herein above, and submitted within thirty (30) days of discovery of the damage or defect. No FIELD labor, repair, DISMANTLE, or installation charges are included with this warranty. Kim Lighting may repair or replace any Product(s) covered by this warranty at its sole discretion and in accordance with its procedure. Any unauthorized return, repair, replacement or modification of the Product(s) shall avoid this warranty. This warranty applies only to the use of the Product(s) as intended by Kim Lighting and does not cover any misapplication or misuse of said Product(s), or installation in hazardous or corrosive environments. In no event shall Kim Lighting's total liability for any reason arising hereunder exceed the purchase price paid to Kim Lighting for the product purchased by the buyer hereunder. Contact Kim Lighting for complete warranty language, exceptions, and limitations.