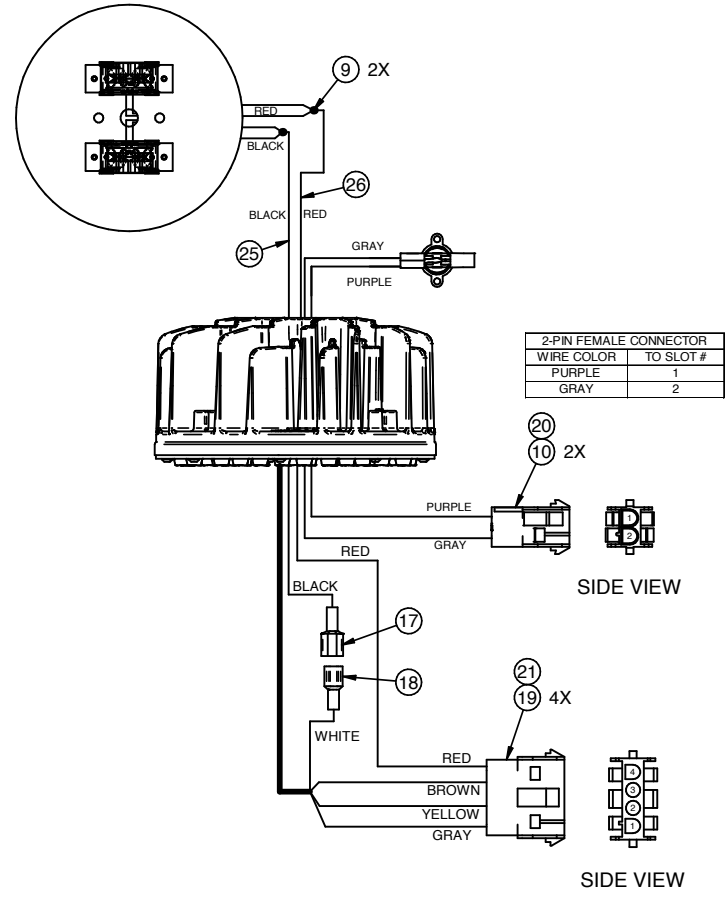


REV	DATE	RECORD	DESN	CHCK
A	12/23/13	ECN # 140120013	RC	KC

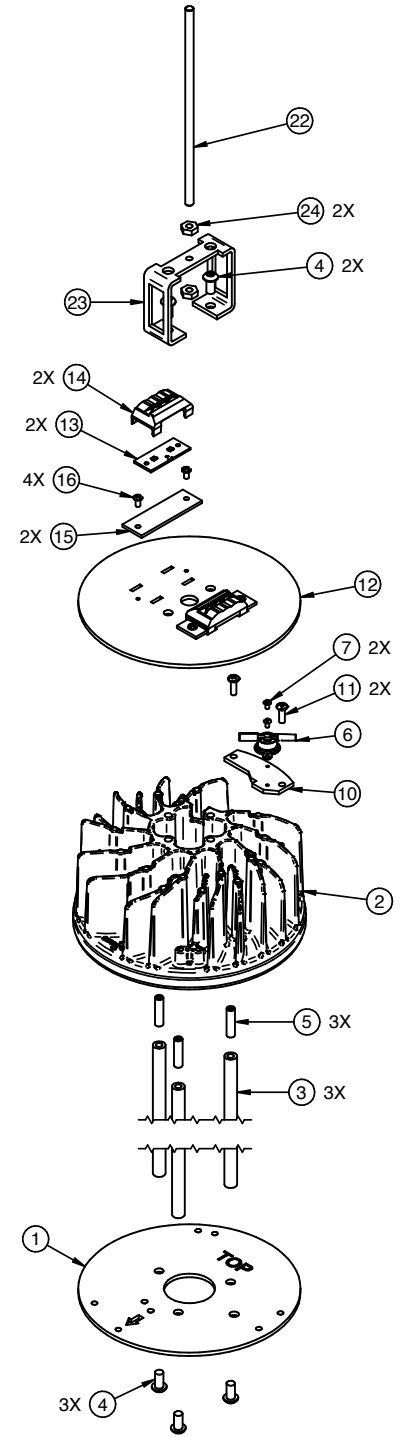
B

B



A

A



2 UP LED BOARD

ITEM # 13 P/N	DESCRIPTION
93047432-3012	3000K
93047432-3014	4100K
93047432-3015	5100K

ITEM	PART #	QTY	DESCRIPTION	NOTES
26	80115	16 INCHES	RED 18 AWG WIRE	
25	80104	16 INCHES	BLACK 18 AWG WIRE	
24	A84048	2	NUT 1/4-20 HEX SS	
23	93049759	1	BRACKET FGL/FGS LED MOUNTING	
22	A86002	1	SCR-1/4-20x7 LG. SS THRD.STUD	
21	88552	1	FEMALE 4-PIN QUICK DISCONNECT	
20	88548	1	FEMALE 2-PIN QUICK DISCONNECT	
19	88110	6	Socket, Quick Disconnect	
18	A74011	1	TERMINAL-FEMALE	
17	A74010	1	TERMINAL-MALE	
16	93023746	4	SCR-6-32x1/4 PHH PHMS SS	
15	93049774	2	PLATE LED UPLIGHT	
14	93045602	2	93045602 Pico Emmitter, Acrylic	
13	SEE CHART	2	ASSY-PCB 2LED BOARD 1X2	
12	93049762	1	BRACKET LED UPLIGHT FGL-FGS	
11	A84032	2	SCR-8-32X1/2 PHH PHMS SS	
10	93049763	1	BRACKET LIFESHIELD Y-LED	
9	A74106	2	WIRE TERMINAL	
8	A74026	AR	CABLE TIE GT50S2 BIN ITEM	
7	93017851	2	SCR-4-40x3/16 PHH PH MS SS	
6	93042082-080051	1	SWITCH THERMAL N. O.	
5	A84041	3	SETSCR-1/4-20x1 SS	
4	A84051	5	SCR-1/4-20x1/2 BTN HD CAP SS	
3	A56332-19	3	STANDOFF 3/8"DIA. X 11.5"	
2	93041672	1	93041672-XXXX 32LED Optical Assembly	
1	93046560	1	FGL/FGS LED MOUNTING PLATE	

PARTS LIST

UNSPECIFIED TOLERANCES: INCHES
 X.X=±0.1 X.XX=±0.03 X.XXX=±0.010
 FRACTIONS=±1/32 ANGULAR TOLERANCE=±1°

DIMENSIONS IN INCHES DRAWN: rcarrillo 12/23/13
 DIMENSIONS IN [] IN MM CHECKED BY: --- --/--
 CONFORMS TO ASME Y14.5M
 DO NOT SCALE PRINT

ENGINEERING: KC 12/23/13
 CATALOG NO. FGS Y-LED

THIRD ANGLE PROJECTION

architectural lighting

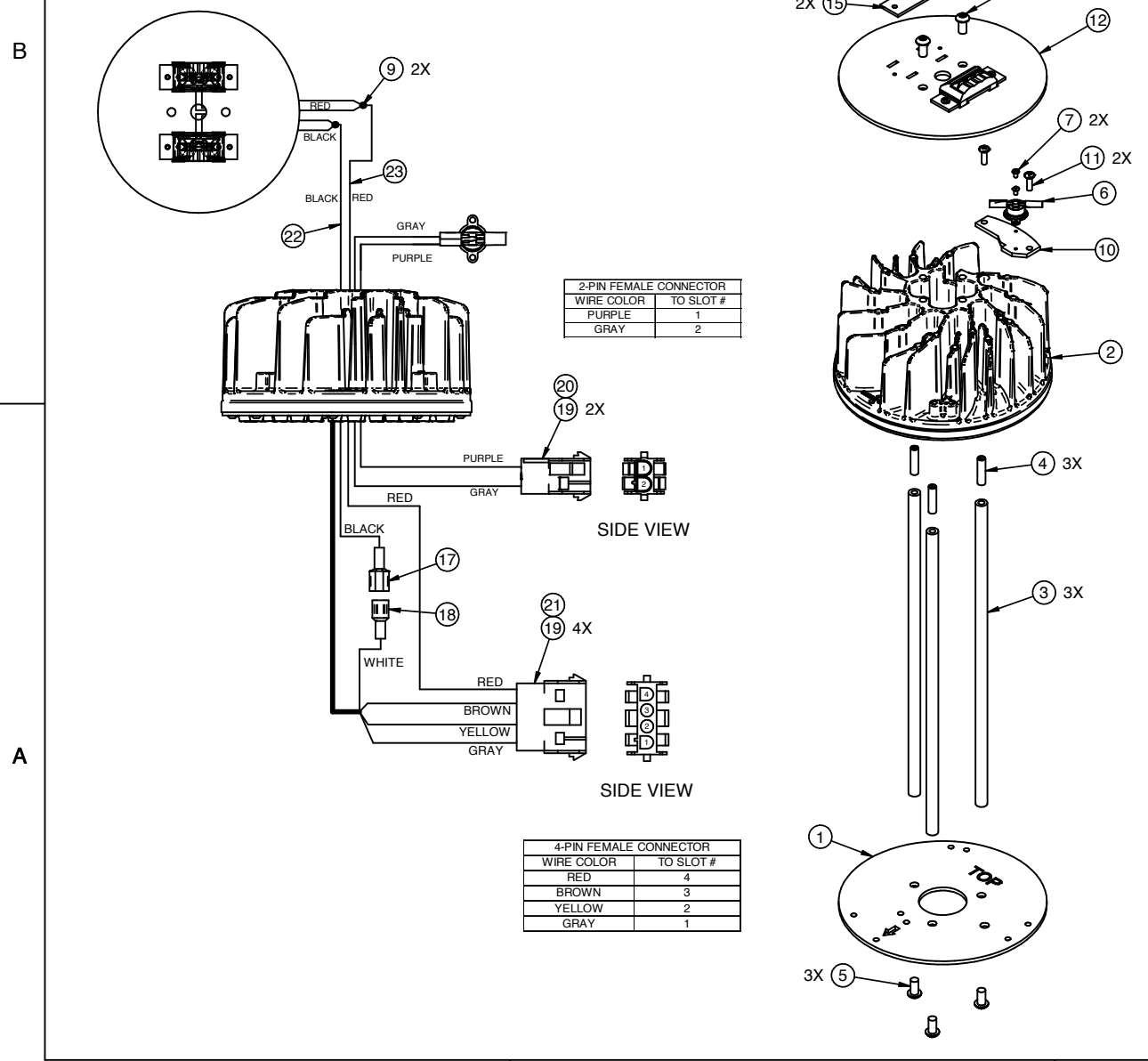
This document contains confidential and proprietary information of Architectural Area Lighting, a division of Current. Receipt or possession of this document does not convey any rights to reproduce or disclose its contents, or to make, use, or sell anything it may disclose. Reproduction, disclosure, or use of the document or its contents, without the specific written authorization of Current, may violate the intellectual property rights of Current.

RETROFIT KIT Y-LED FGS SAL LENS WITH CCO OPION

MATERIAL: FINISH: PART NO. 93049902

SCALE: B SIZE: DRAWING NO. 93049902 REV. A SHT 1 1 SHTS Current®

2		1	
REV	DATE	RECORD	DESN CHCK
A	12/20/13	ECN # 140120013	RC KC



2 UP LED BOARD	
ITEM # 13 P/N	DESCRIPTION
93047432-3012	3000K
93047432-3014	4100K
93047432-3015	5100K

ITEM	PART #	QTY	DESCRIPTION	NOTES
23	80115	16 INCHES	RED 18 AWG WIRE	
22	80104	16 INCHES	BLACK 18 AWG WIRE	
21	88552	1	FEMALE 4-PIN QUICK DISCONNECT	
20	88548	1	FEMALE 2-PIN QUICK DISCONNECT	
19	88110	6	Socket, Quick Disconnect	
18	A74011	1	TERMINAL-FEMALE	
17	A74010	1	TERMINAL-MALE	
16	93023746	4	SCR-6-32x1/4 PHH PHMS SS	
15	93049774	2	PLATE LED UPLIGHT	
14	93045602	2	93045602 Pico Emmiter, Acrylic	
13	SEE CHART	2	ASSY-PCB 2LED BOARD 1X2	
12	93049762	1	BRACKET LED UPLIGHT FGL-FGS	
11	A84032	2	SCR-8-32X1/2 PHH PHMS SS	
10	93049763	1	BRACKET LIFESHIELD Y-LED	
9	A74106	2	WIRE TERMINAL	
8	A74026	AR	CABLE TIE GT50S2 BIN ITEM	
7	93017851	2	SCR-4-40x3/16 PHH PH MS SS	
6	93042082-080051	1	SWITCH THERMAL N. O.	
5	A84051	5	SCR-1/4-20x1/2 BTN HD CAP SS	
4	A84041	3	SETSCR-1/4-20x1 SS	
3	A56332-19	3	STANDOFF 3/8"DIA. X 11.5"	
2	93041672	1	32LED Optical Assembly	
1	93046560	1	FGL/FGS LED MOUNTING PLATE	

PARTS LIST

UNSPECIFIED TOLERANCES: INCHES
X.X=±0.1 X.XX=±0.03 X.XXX=±0.010
FRACTIONS=±1/32 ANGULAR TOLERANCE=±1°

DIMENSIONS IN INCHES DRAWN: rcarrillo 12/20/13
DIMENSIONS IN [] IN MM CHECKED BY: --- --/--/--
CONFORMS TO ASME Y14.5M
DO NOT SCALE PRINT

ENGINEERING: KC 12/20/13
CATALOG NO. FGS Y-LED

THIRD ANGLE PROJECTION

RETROFIT KIT Y-LED FGS SAL LENS

MATERIAL: FINISH: PART NO. 93049900

SCALE: B SIZE: DRAWING NO. 93049900 REV. A SHT 1 1 SHTS Current®

This document contains confidential and proprietary information of Architectural Area Lighting, a division of Current. Receipt or possession of this document does not convey any rights to reproduce or disclose its contents, or to make, use, or sell anything it may disclose. Reproduction, disclosure, or use of the document or its contents, without the specific written authorization of Current, may violate the intellectual property rights of Current.

Installation Instructions

Fixture: FEDERAL GLOBE™ (FGL/ FGS) FOR LED

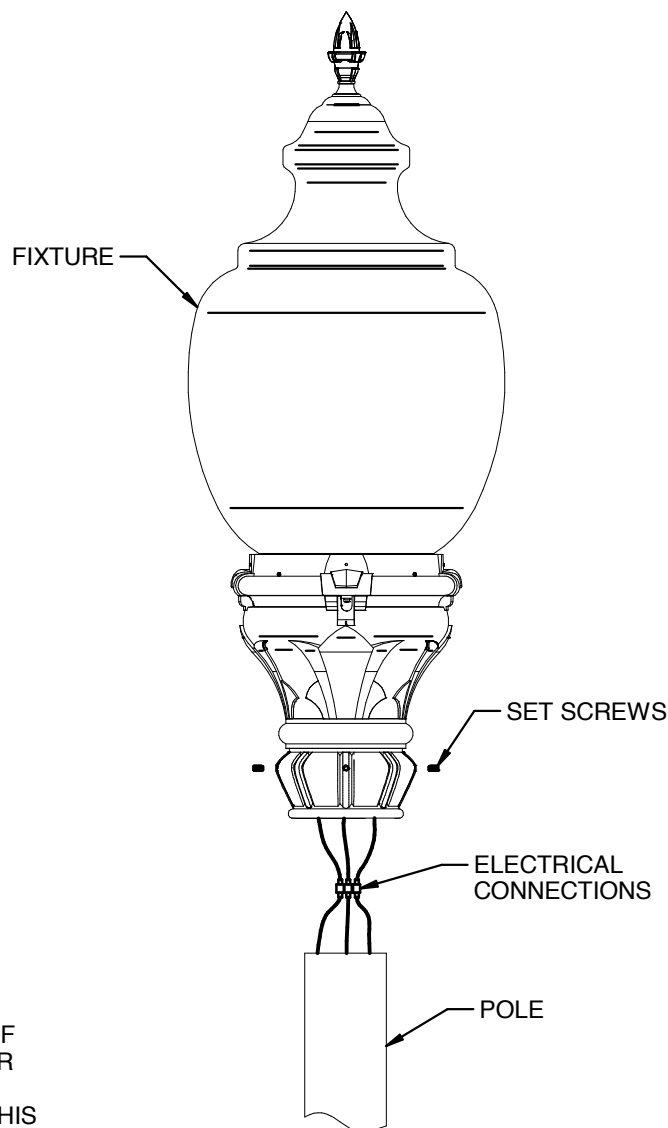


WARNING: Fixtures must be grounded in accordance with local codes or the National Electrical Code. Failure to do so may result in serious personal injury.

MAINTENANCE: A regularly scheduled maintenance program should be established to retain optimum light output and reduce heat retention. Dusting with a soft, clean, dry cloth is normally sufficient for the optics.

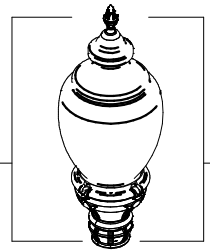
CAUTION: All wiring must be done by a qualified electrician. KEEP THIS SHEET FOR FUTURE REFERENCE.

1. Be sure all power is **OFF**.
2. Make wire connections from incoming supply to fixture as shown. (White to White, Black to Black and Green to Green) (Note: fixture must be grounded to incoming equipment ground supply.)
3. Slip fixture over pole top or tenon. Secure with four (4) supplied stainless steel set screws.
4. Turn power ON.



WARNING:

THIS PRODUCT CONTAINS CHEMICALS KNOWN TO THE STATE OF CALIFORNIA TO CAUSE CANCER, BIRTH DEFECTS, AND/OR OTHER REPRODUCTIVE HARM. THOROUGHLY WASH HANDS AFTER INSTALLING, HANDLING, CLEANING OR OTHERWISE TOUCHING THIS PRODUCT.



Y-LED Upgrade Kit Installation Guide

Fixture: FGS™ Federal Globe Small Scale (FGS) For SAL Lens With CCO Optical System

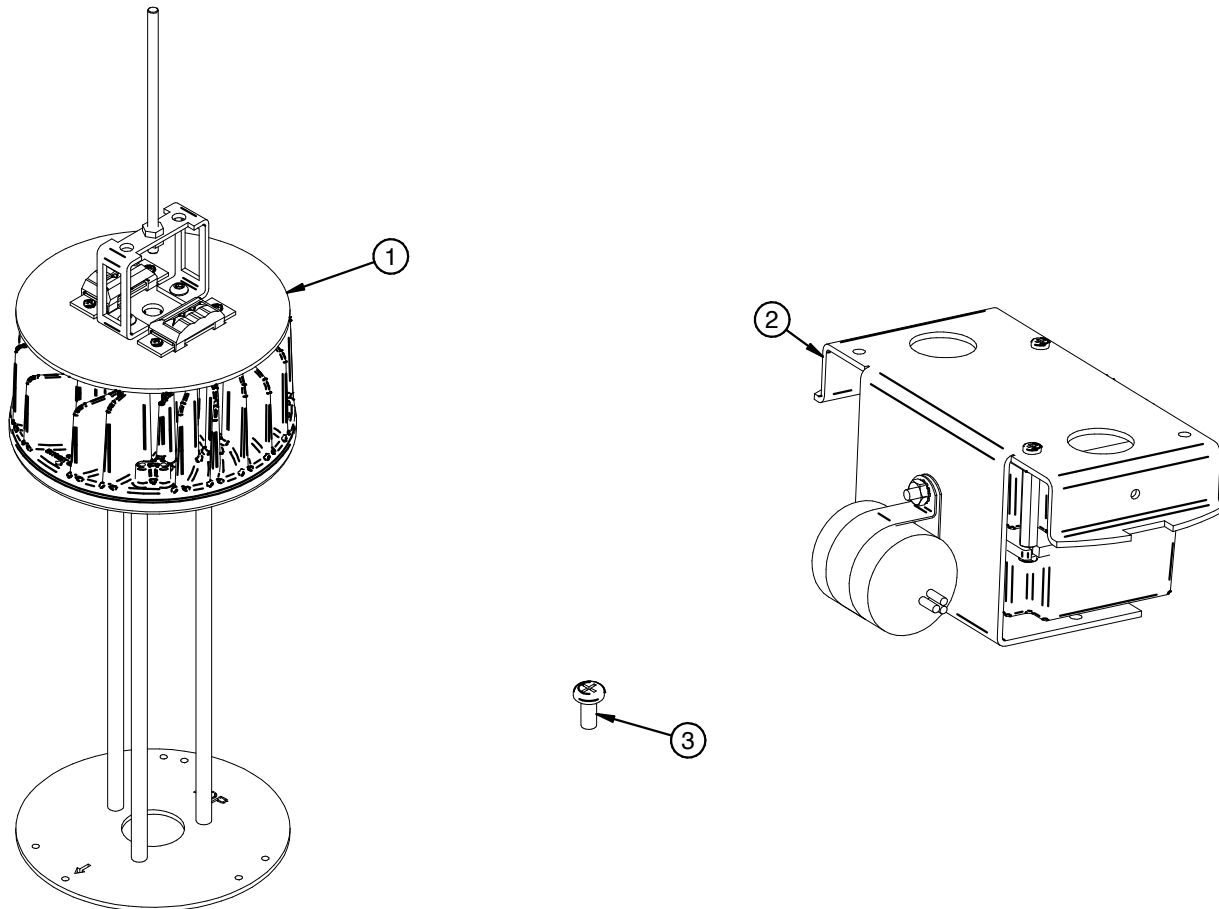


WARNING: Fixtures must be grounded in accordance with local codes or the National Electrical Code. Failure to do so may result in serious personal injury.

MAINTENANCE: A regularly scheduled maintenance program should be established to retain optimum light output and reduce heat retention. Dusting with a soft, clean, dry cloth is normally sufficient for the optics.

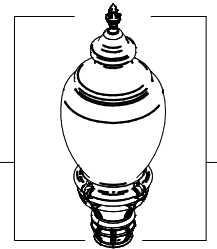
CAUTION: All wiring must be done by a qualified electrician. KEEP THIS SHEET FOR FUTURE REFERENCE.

UPGRADE KIT CONTENTS



PARTS LIST			
ITEM #	QTY	PART #	DESCRIPTION
1	1	93049902	RETROFIT KIT Y-LED SAL LENS WITH CCO OPTION
2	1	93049901	RETROFIT KIT Y-LED DRIVER ASSY
3	3	A84033	SCR-8-32 x 3/8" PHLPS PHMS S/S

93049780 REV. A



Y-LED Upgrade Kit Installation Guide

Fixture: FGS™ Federal Globe Small Scale (FGS) For SAL Lens With CCO Optical System

1. REMOVE LENS

⚠️ TURN OFF ALL POWER TO THE UNIT AND TAKE PROPER SAFETY PRECAUTION. FAILURE TO DO SO MAY RESULT IN SERIOUS PERSONAL INJURY.

1. REMOVE FINIAL BY TURNING IT COUNTER CLOCKWISE. (FIG. 1-1)
2. REMOVE GASKET AND TOP LENS ASSEMBLY. DO NOT DISCARD. (FIG. 1-1)
3. WITH A PHILLIPS HEAD SCREW DRIVER LOOSEN THREE SCREWS AND REMOVE CCO OPTICAL SYSTEM FROM CAST LID. (FIG. 1-2)

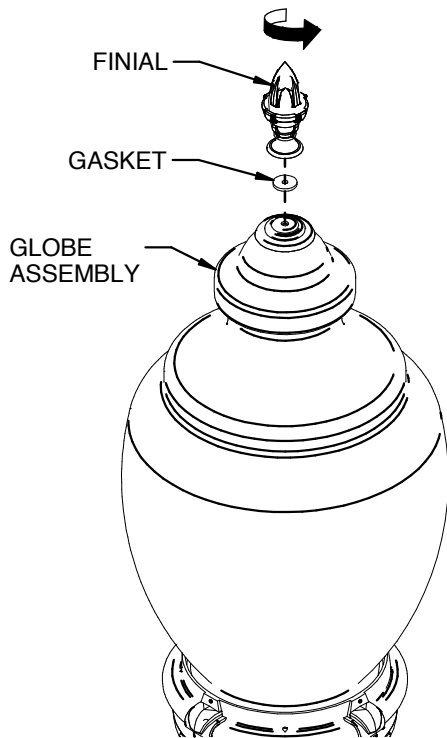
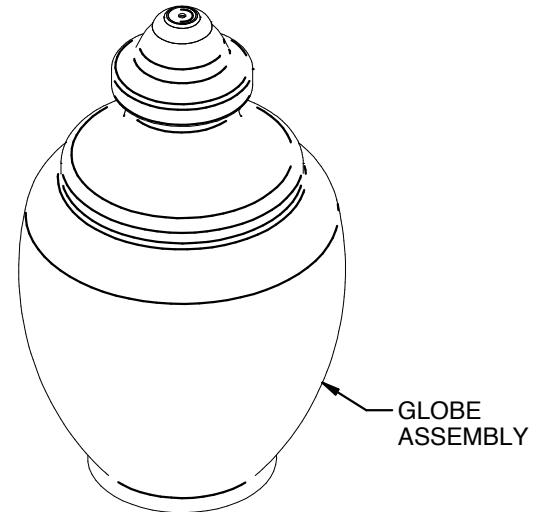


FIG. 1-1

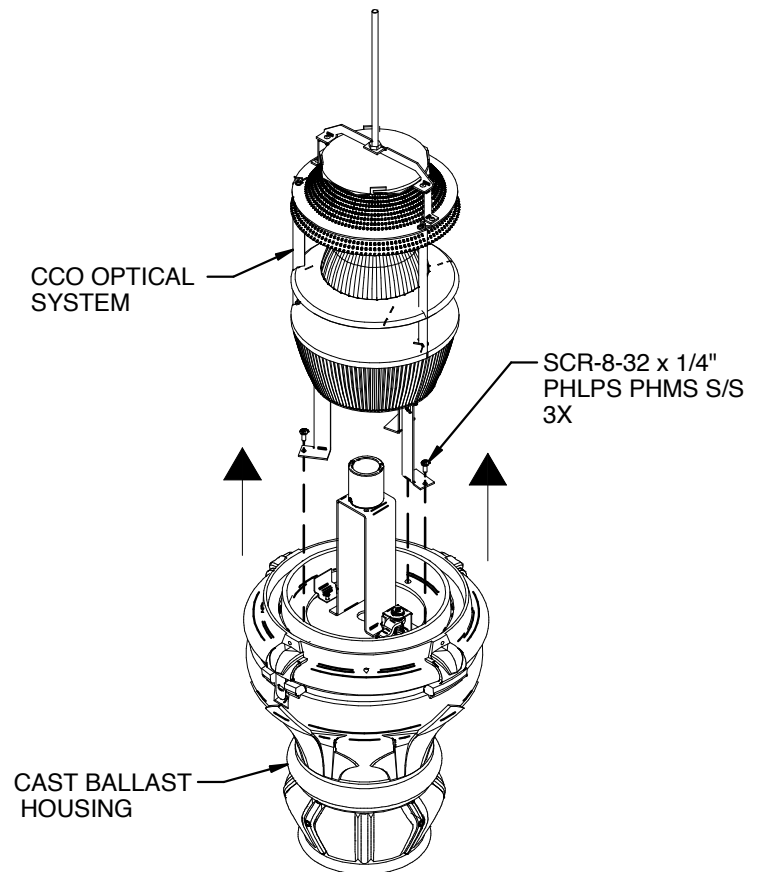
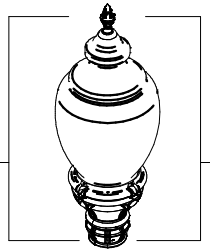


FIG. 1-2



Y-LED Upgrade Kit Installation Guide

Fixture: FGS™ Federal Globe Small Scale (FGS) For SAL Lens With CCO Optical System

2. REMOVE EXISTING BALLAST ASSEMBLY AND SOCKET ASSEMBLY

1. TILT CAST LID TO THE SIDE BY PULLING LATCH BACKWARD. (FIG. 2-1)
2. DISENGAGE QUICK-DISCONNECT AND PULL APART. (FIG. 2-1)
3. REMOVE SOCKET ASSEMBLY BY TURNING TURN-LATCH COUNTER CLOCKWISE. (FIG. 2-2)
4. REMOVE BALLAST ASSEMBLY. (FIG. 2-3)

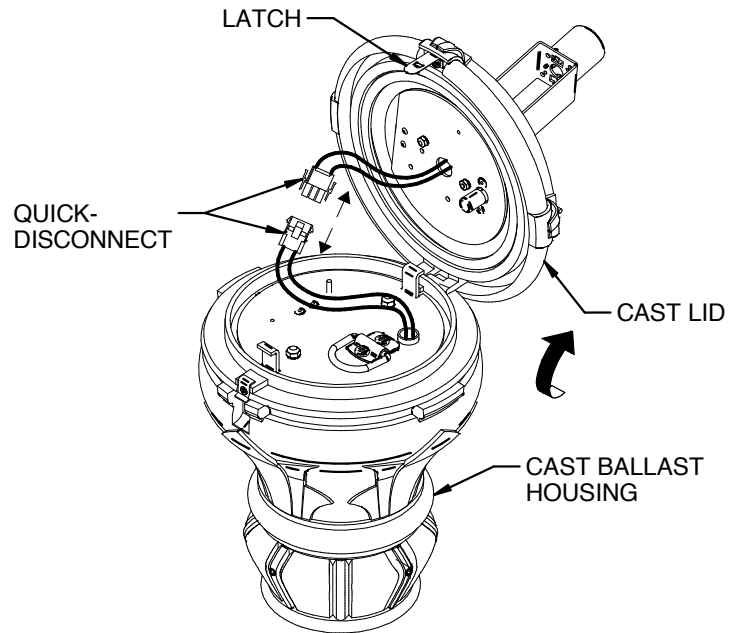


FIG. 2-1

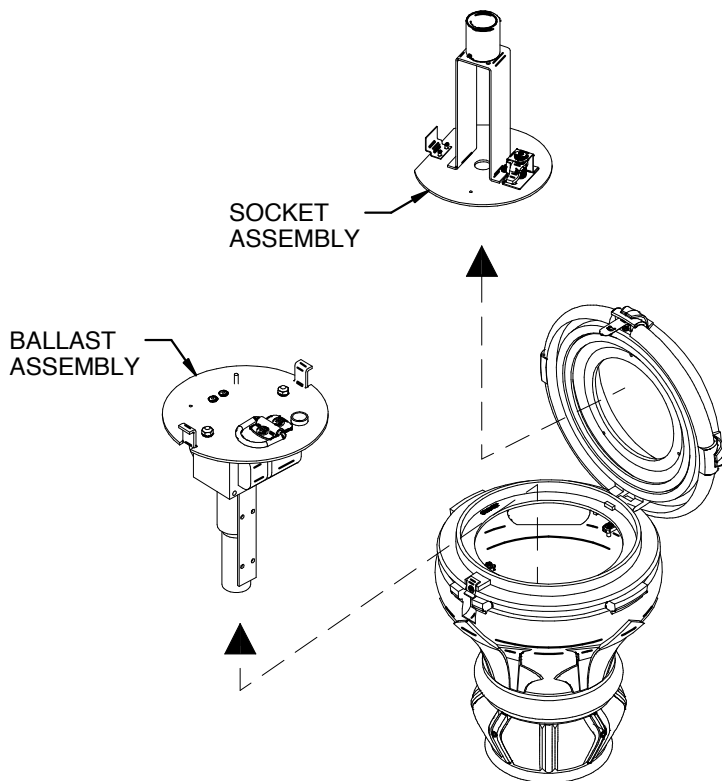


FIG. 2-3

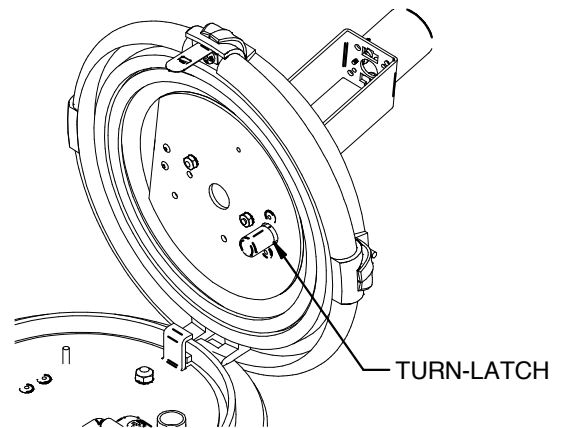
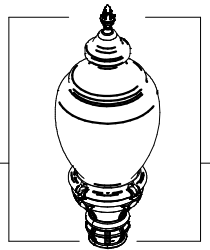


FIG. 2-2



Y-LED Upgrade Kit Installation Guide

Fixture: FGS™ Federal Globe Small Scale (FGS) For SAL Lens With CCO Optical System

3. INSTALLING 32-LED Y6 MODULE AND LENS

1. INSTALL Y-MODULE TO CAST LID **WITH ARROW ON MOUNTING PLATE POINTING TO LATCH ON CAST LID** USING PROVIDED 8-32 X 3/8" SCREWS. (FIG. 3-1)
ARROW DENOTE STREET SIDE.
2. PLACE GLOBE ASSEMBLY OVER CAST LID. (FIG. 3-2)
3. INSTALL GASKET AND FINIAL. (FIG. 3-2)
4. INSTALLATION COMPLETE. (FIG. 3-2)

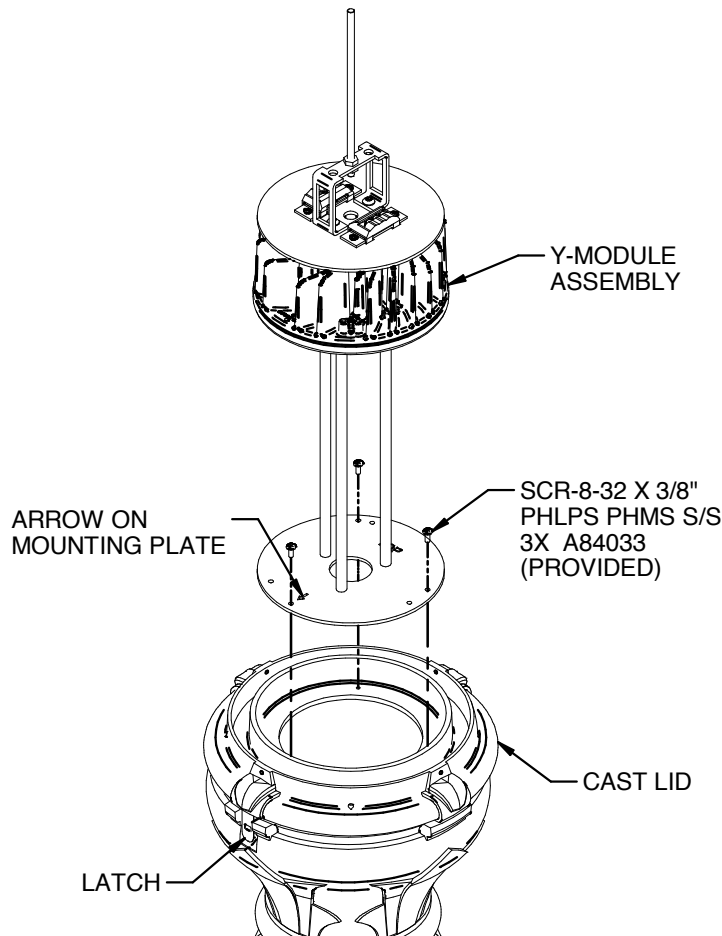


FIG. 3-1

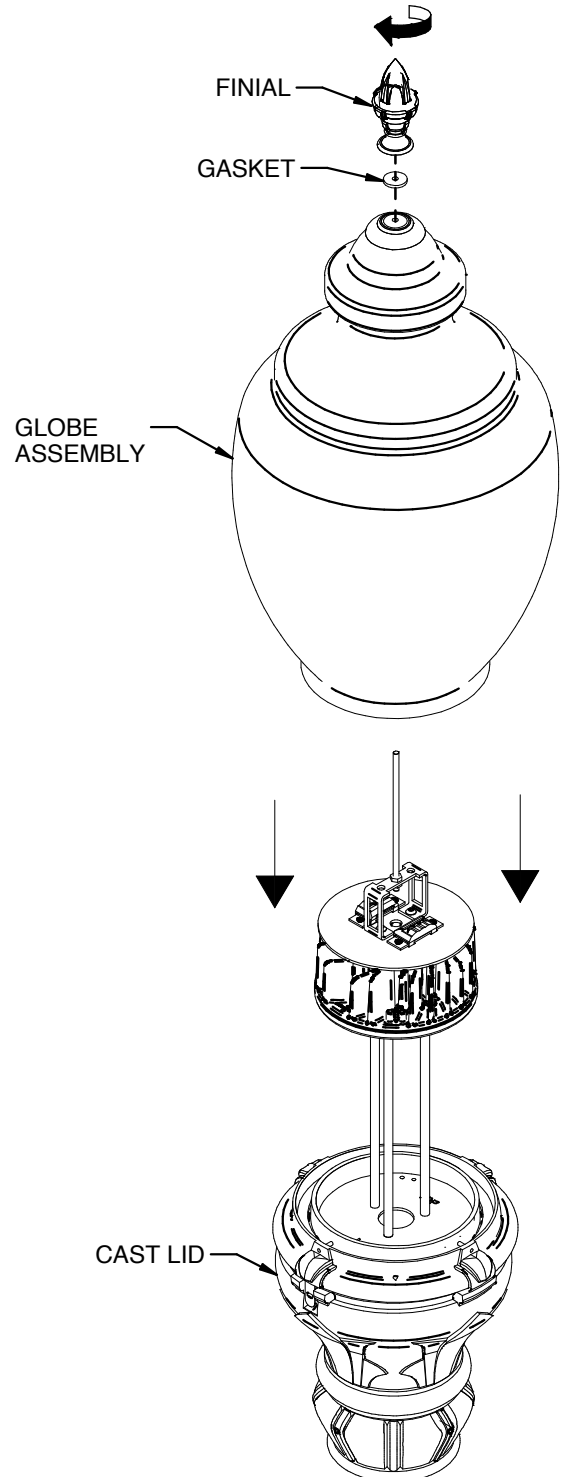
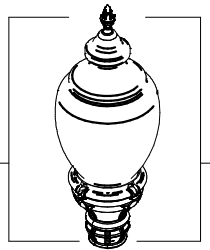


FIG. 3-2

93049780 REV. A



Y-LED Upgrade Kit Installation Guide

Fixture: FGS™ Federal Globe Small Scale (FGS) For SAL Lens With CCO Optical System

4. INSTALLING DRIVER ASSEMBLY

1. TILT GLOBE ASSEMBLY TO THE SIDE BY PULLING LATCH BACKWARD. (FIG. 4-1)
2. INSTALL DRIVER ASSY. (FIG. 4-1)
3. MAKE WIRE CONNECTIONS BY CONNECTING QUICK DISCONNECT FROM DRIVER ASSY TO SOCKET ASSY AND LIFESHIELD QUICK DISCONNECT. (FIG. 4-2)
4. CLOSE FIXTURE, ENSURE LATCH SNAPS BACK TO ITS ORIGINAL POSITION. (FIG. 4-3)
5. MAKE WIRE CONNECTIONS FROM INCOMING TO DRIVER ASSY: WHITE TO WHITE, BLACK TO BLACK AND GREEN TO GREEN. (FIG. 4-3)
6. INSTALLATION COMPLETE.

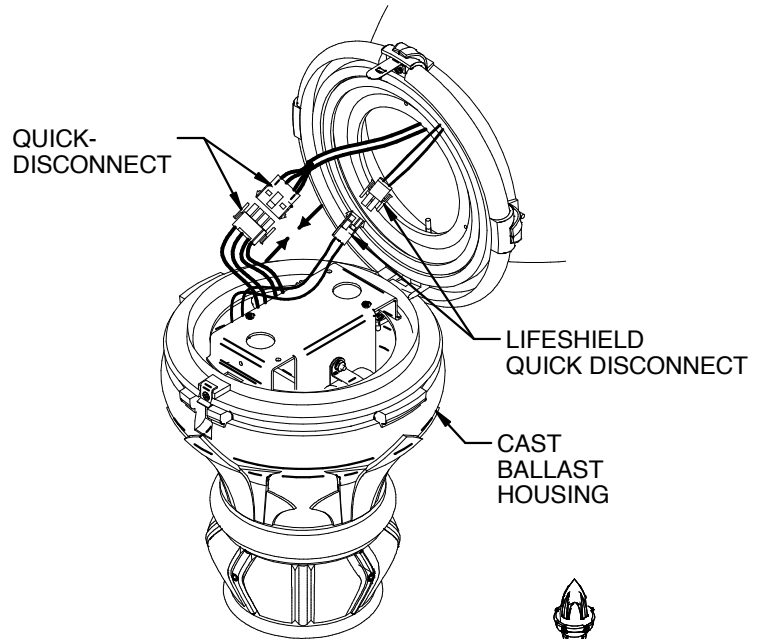


FIG. 4-2

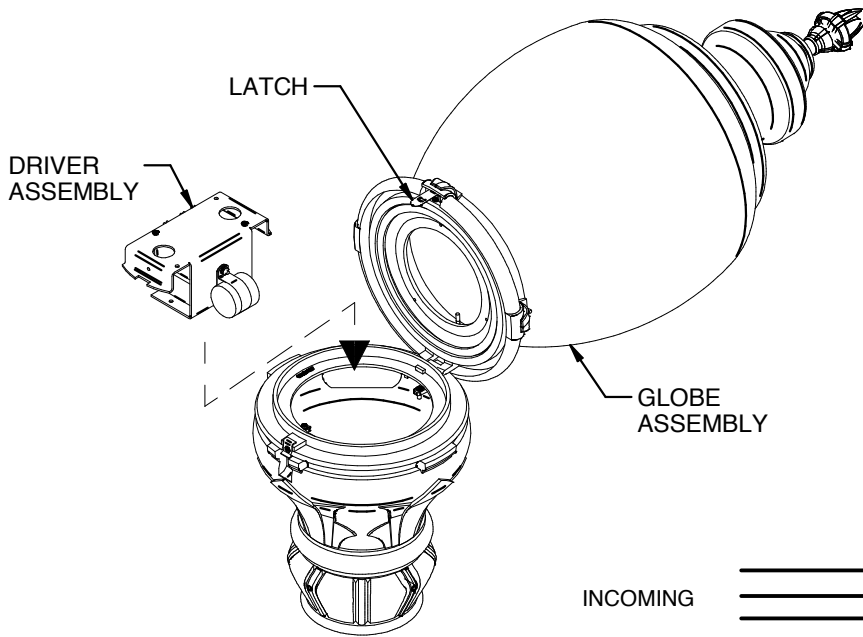


FIG. 4-1

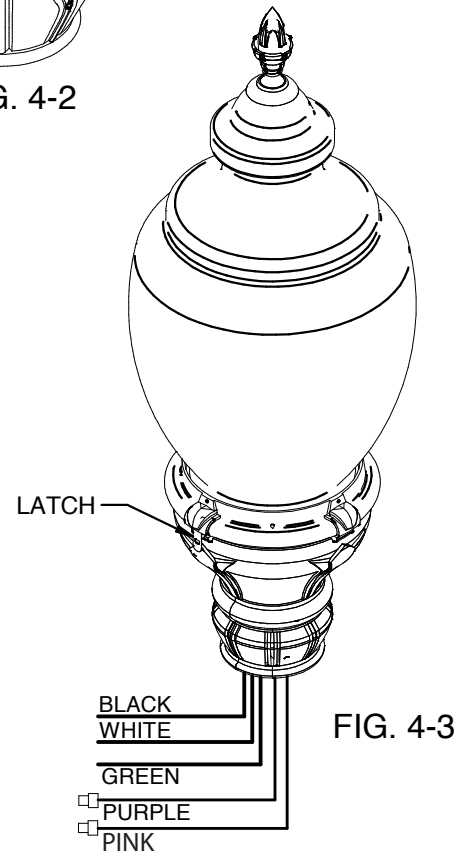
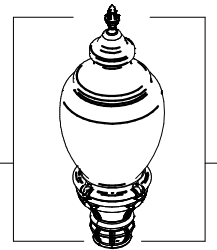


FIG. 4-3



Y-LED Upgrade Kit Installation Guide

Fixture: FGS™ Federal Globe Small Scale (FGS) FOR SAL LENS FOR GR3/ GR5/ BLO

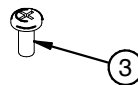
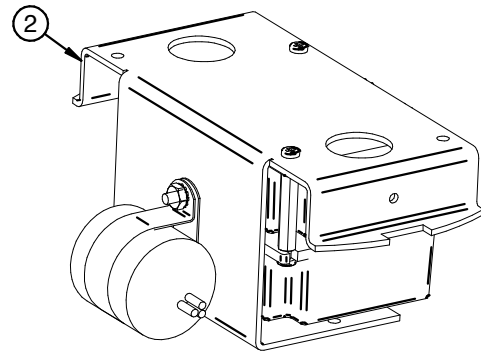
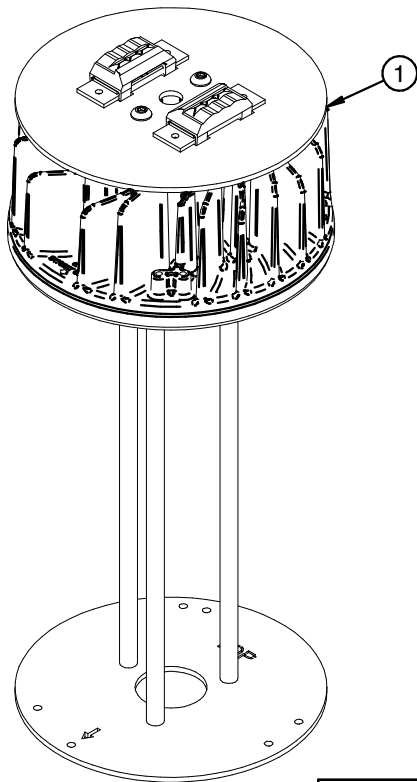


WARNING: Fixtures must be grounded in accordance with local codes or the National Electrical Code. Failure to do so may result in serious personal injury.

MAINTENANCE: A regularly scheduled maintenance program should be established to retain optimum light output and reduce heat retention. Dusting with a soft, clean, dry cloth is normally sufficient for the optics.

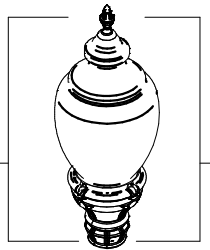
CAUTION: All wiring must be done by a qualified electrician. KEEP THIS SHEET FOR FUTURE REFERENCE.

UPGRADE KIT CONTENTS



PARTS LIST

ITEM #	QTY	PART #	DESCRIPTION
1	1	93049900	RETROFIT KIT Y-LED FGS SAL LENS
2	1	93049901	RETROFIT KIT Y-LED FGS DRIVER ASSY
3	3	A84033	SCR-8-32 x 3/8" PHLPS PHMS S/S



Y-LED Upgrade Kit Installation Guide

Fixture: FGS™ Federal Globe Small Scale (FGS) FOR SAL LENS FOR GR3/ GR5/ BLO

1. REMOVE LENS

⚠️ TURN OFF ALL POWER TO THE UNIT AND TAKE PROPER SAFETY PRECAUTION. FAILURE TO DO SO MAY RESULT IN SERIOUS PERSONAL INJURY.

1. REMOVE GLOBE ASSEMBLY BY LOOSEN FOUR SET SCREWS. (FIG. 1-1)
2. IF GR3/GR5 OPTION IS PRESENT, REMOVE BY REMOVING TWO 8-32 x 1/4" SCREWS. (FIG. 1-2)

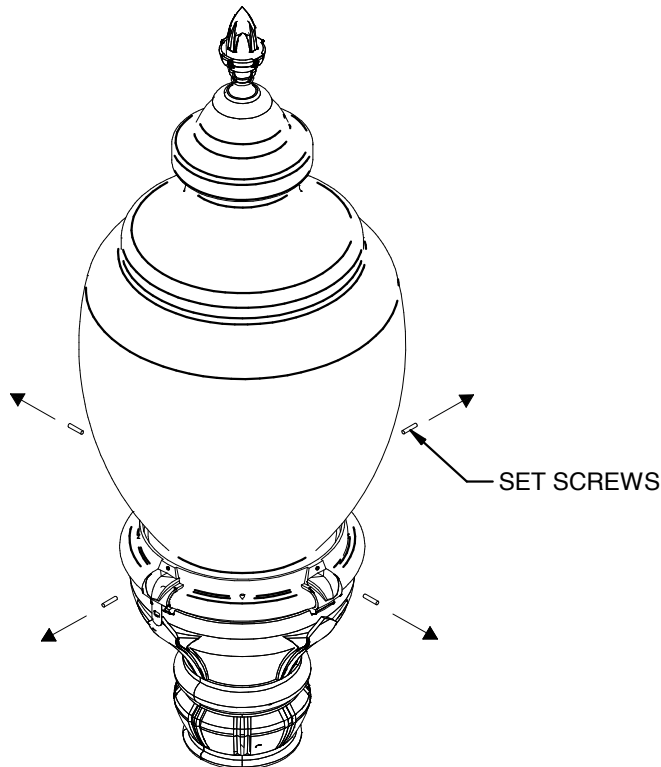


FIG. 1-1

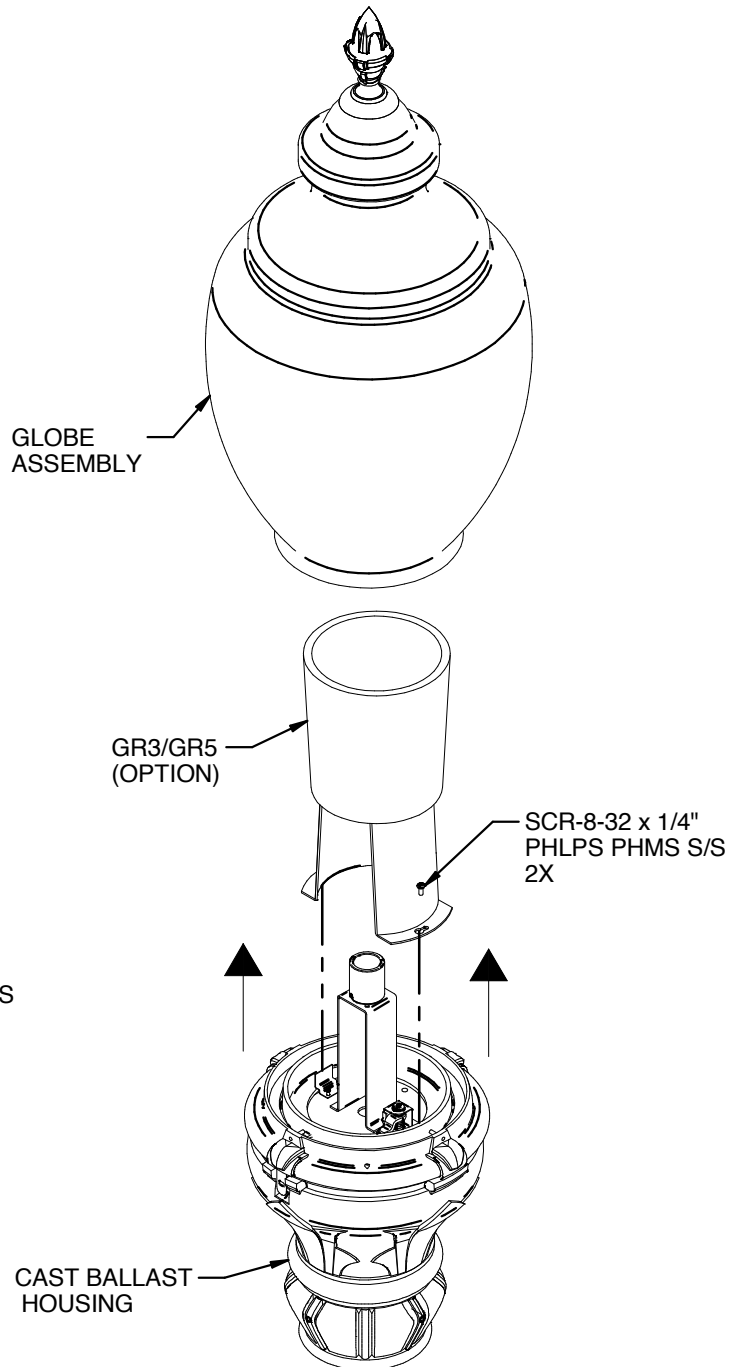
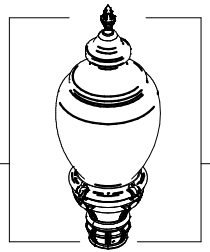


FIG. 1-2



Y-LED Upgrade Kit Installation Guide

Fixture: FGS™- Federal Globe Small Scale (FGS) FOR SAL LENS FOR GR3/ GR5/ BLO

2. REMOVE EXISTING BALLAST ASSEMBLY AND SOCKET ASSEMBLY

1. TILT CAST LID TO THE SIDE BY PULLING LATCH BACKWARD. (FIG. 2-1)
2. DISENGAGE QUICK-DISCONNECT AND PULL APART. (FIG. 2-1)
3. REMOVE SOCKET ASSEMBLY BY TURNING TURN-LATCH COUNTER CLOCKWISE. (FIG. 2-2)
4. REMOVE BALLAST ASSEMBLY. (FIG. 2-3)

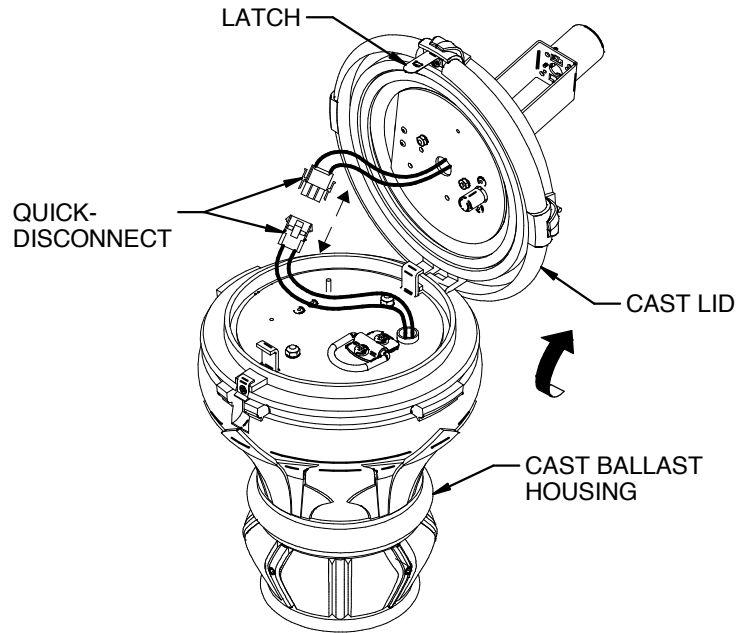


FIG. 2-1

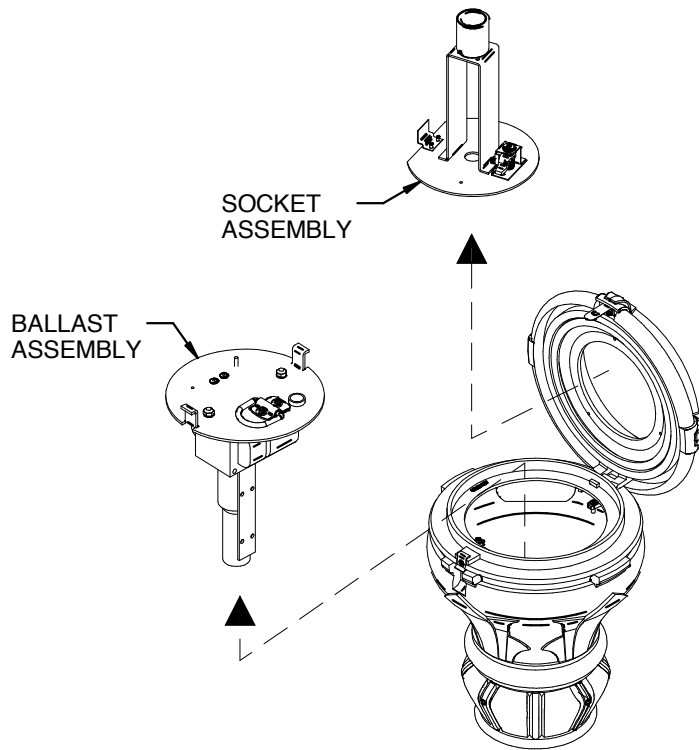


FIG. 2-3

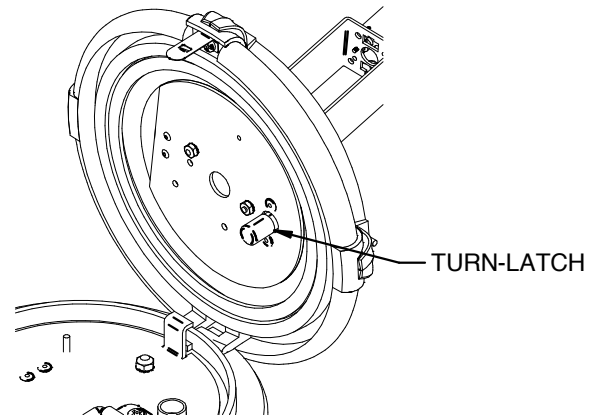
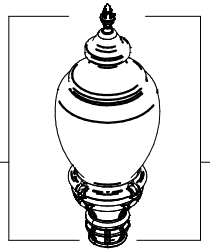


FIG. 2-2



Y-LED Upgrade Kit Installation Guide

Fixture: FGS™ Federal Globe Small Scale (FGS) FOR SAL LENS FOR GR3/ GR5/ BLO

3. INSTALLING 32-LED Y6 MODULE AND LENS

1. INSTALL Y-MODULE TO CAST LID **WITH ARROW ON MOUNTING PLATE POINTING TO LATCH ON CAST LID** USING PROVIDED 8-32 X 3/8" SCREWS. (FIG. 3-1)
ARROW DENOTE STREET SIDE.
2. PLACE GLOBE ASSEMBLY OVER CAST LID AND SECURE WITH FOUR SET SCREWS. (FIG. 3-2)

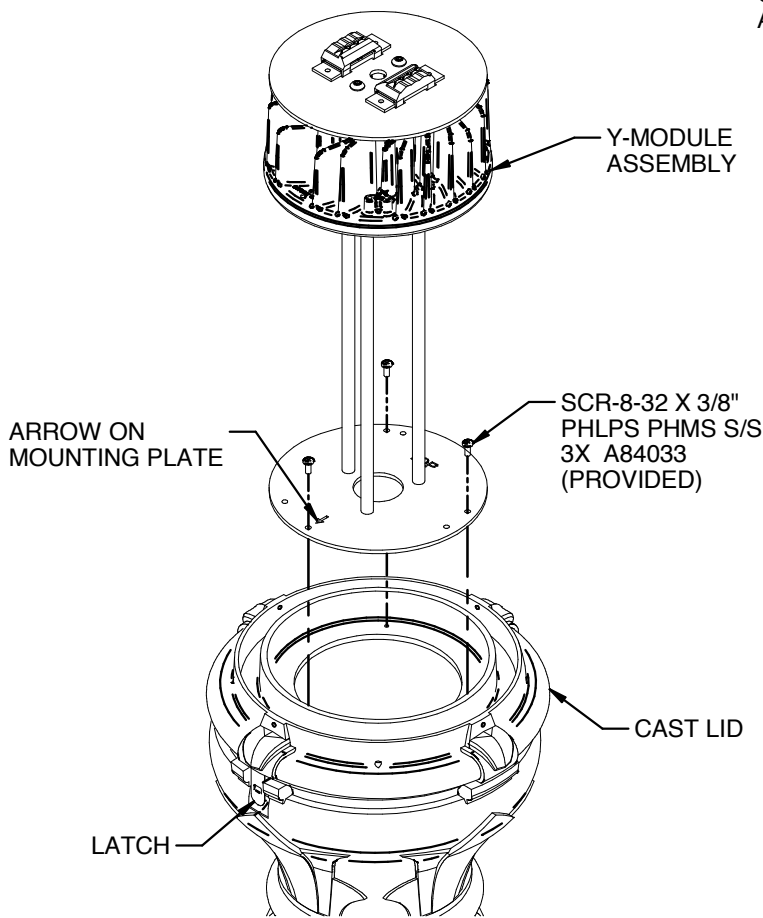


FIG. 3-1

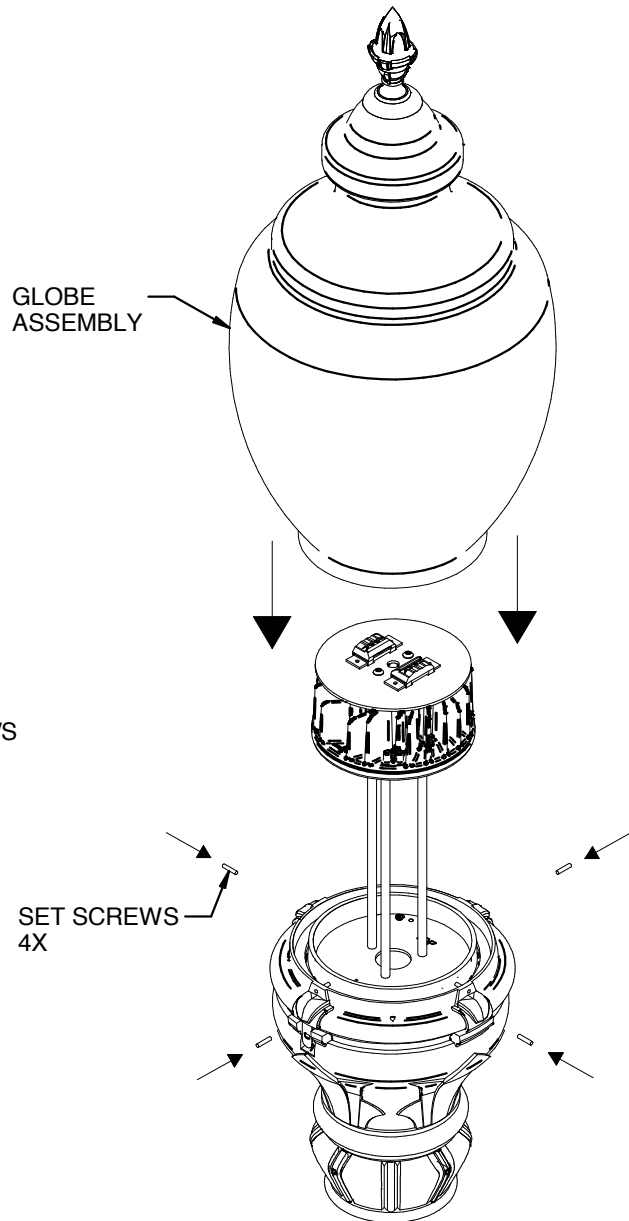
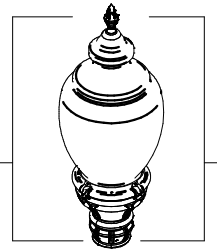


FIG. 3-2



Y-LED Upgrade Kit Installation Guide

Fixture: FGS™ Federal Globe Small Scale (FGS) FOR SAL LENS FOR GR3/ GR5/ BLO

4. INSTALLING DRIVER ASSEMBLY

1. TILT GLOBE ASSEMBLY TO THE SIDE BY PULLING LATCH BACKWARD. (FIG. 4-1)
2. INSTALL DRIVER ASSY. (FIG. 4-1)
3. MAKE WIRE CONNECTIONS BY CONNECTING QUICK DISCONNECT FROM DRIVER ASSY TO SOCKET ASSY AND LIFESHIELD QUICK DISCONNECT. (FIG. 4-2)
4. CLOSE FIXTURE, ENSURE LATCH SNAPS BACK TO ITS ORIGINAL POSITION. (FIG. 4-3)
5. MAKE WIRE CONNECTIONS FROM INCOMING TO DRIVER ASSY: WHITE TO WHITE, BLACK TO BLACK AND GREEN TO GREEN. (FIG. 4-3)
6. INSTALLATION COMPLETE.

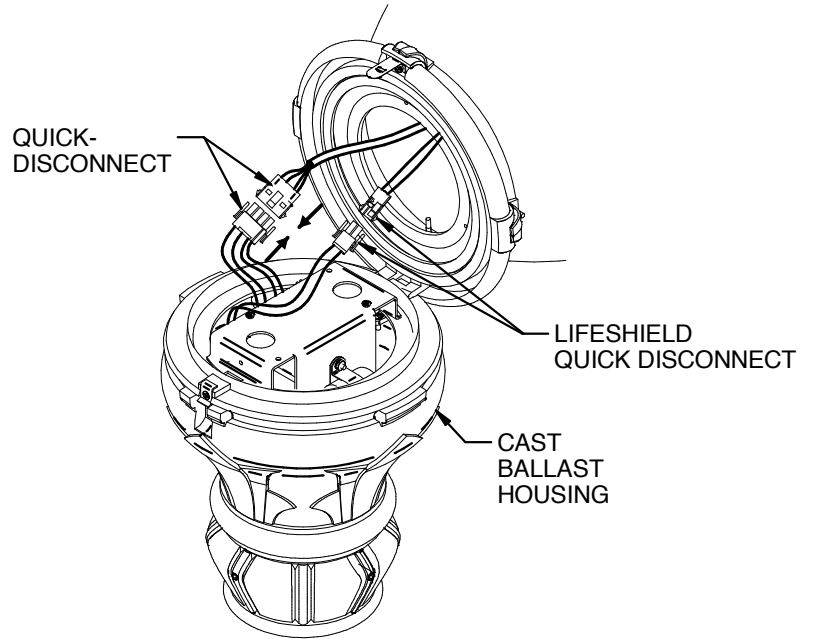


FIG. 4-2

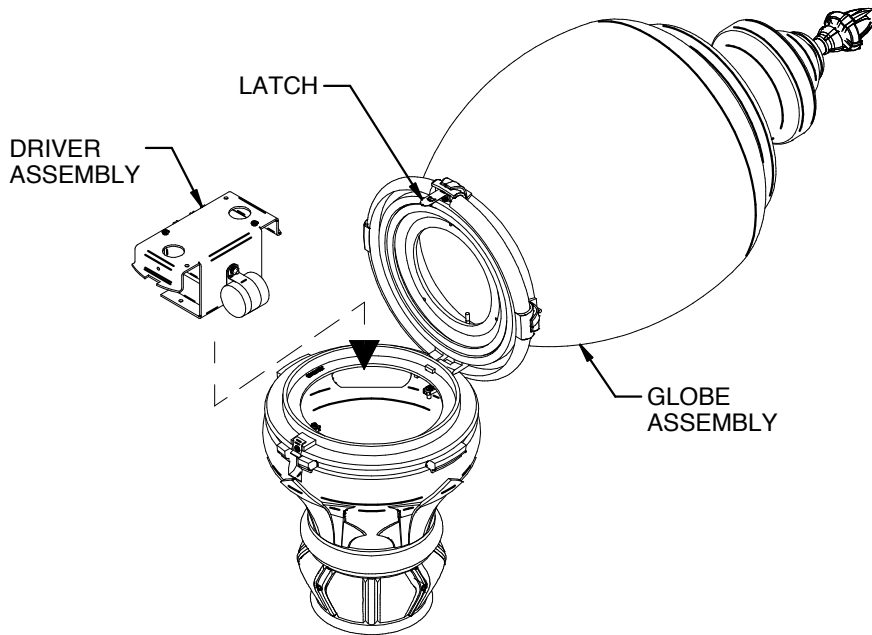


FIG. 4-1

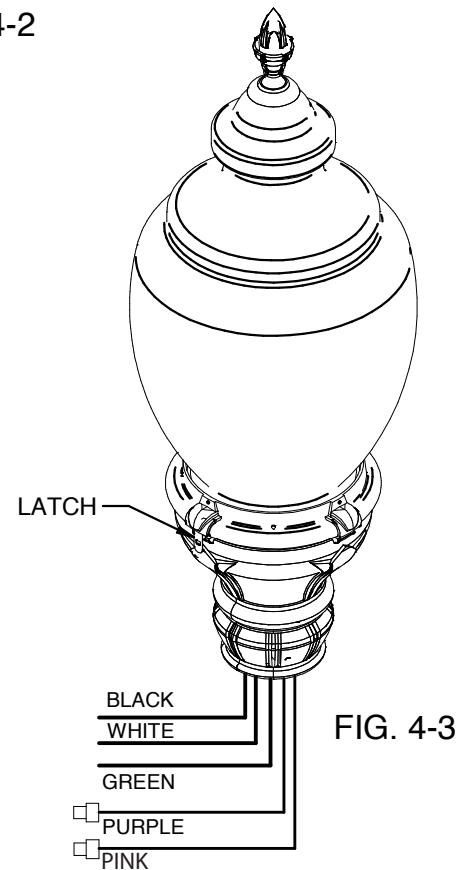


FIG. 4-3

INCOMING

BLACK
WHITE
GREEN

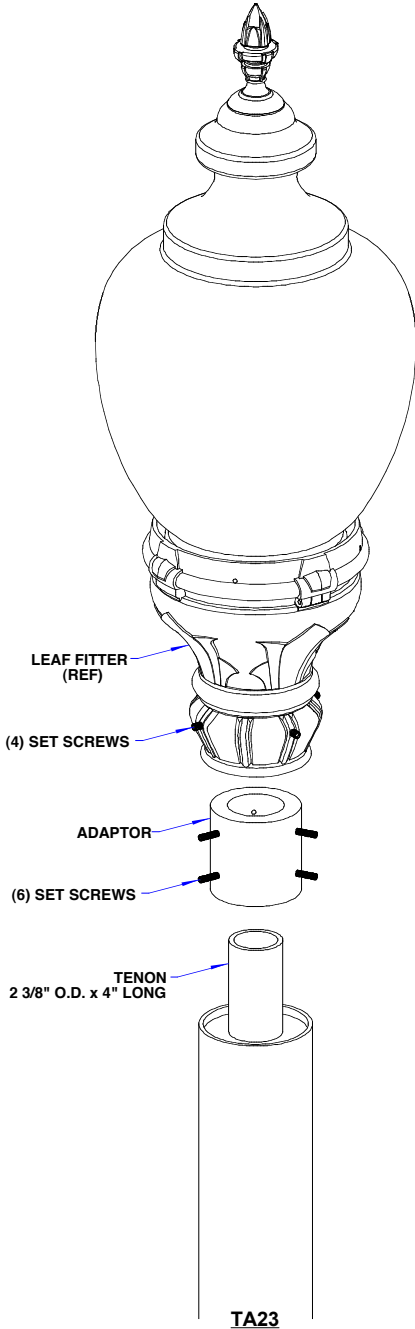
BLACK
WHITE
GREEN
PURPLE
PINK

93049780 REV. A

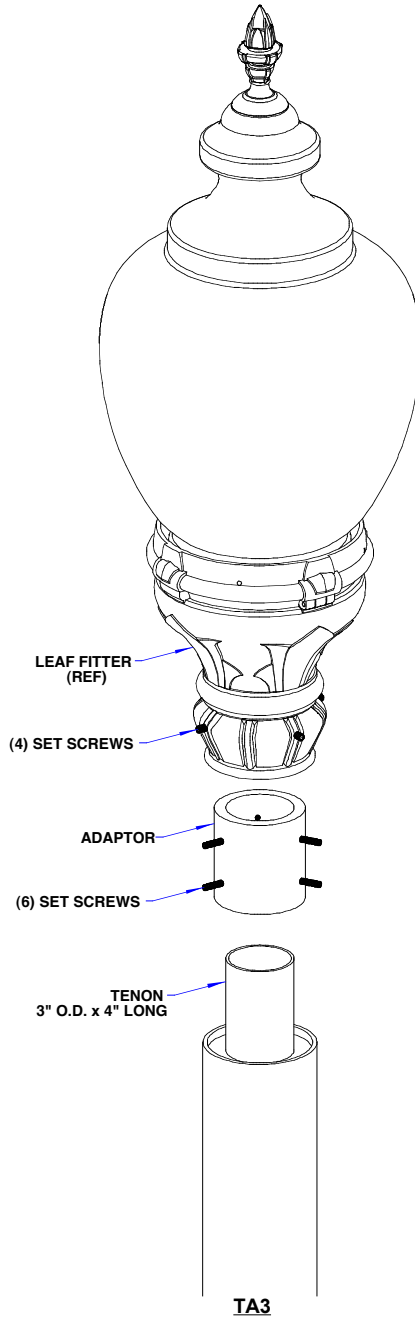
INSTALLATION INSTRUCTIONS

CATALOG NUMBER

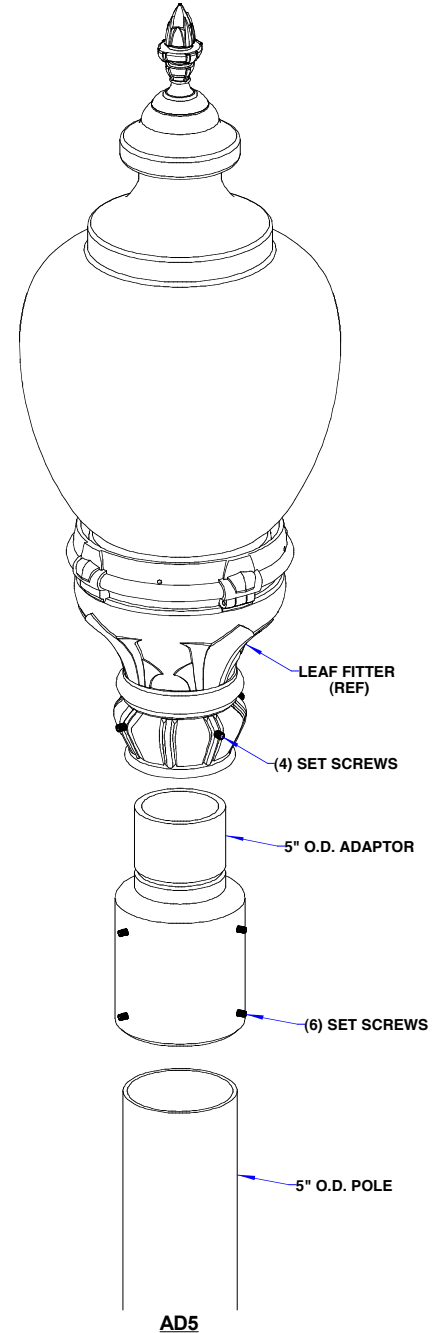
FGS-TA23 / TA3 & AD5



- 1) SLIP ADAPTOR OVER TENON AND SECURE WITH (6) SET SCREWS.
- 2) SECURE FIXTURE OVER ADAPTOR AND SECURE WITH (4) SET SCREWS.
- 3) INSTALLATION COMPLETE.



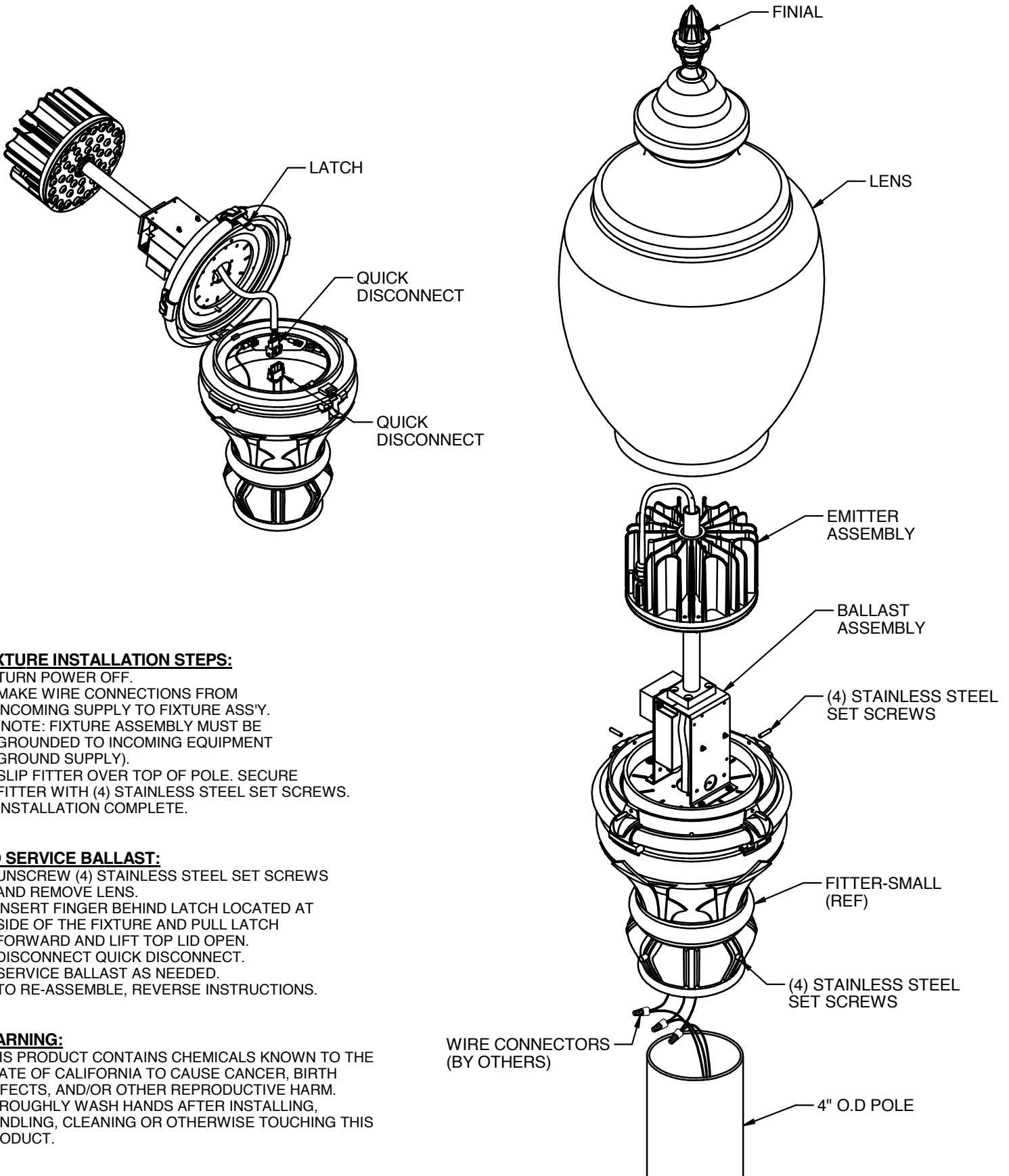
- 1) SLIP ADAPTOR OVER POLE AND SECURE WITH (6) SET SCREWS.
- 2) SECURE FIXTURE OVER ADAPTOR AND SECURE WITH (4) SET SCREWS.
- 3) INSTALLATION COMPLETE.



- 1) SLIP ADAPTOR OVER POLE AND SECURE WITH (6) SET SCREWS.
- 2) SECURE FIXTURE OVER ADAPTOR AND SECURE WITH (4) SET SCREWS.
- 3) INSTALLATION COMPLETE.

INSTALLATION INSTRUCTIONS

CATALOG NUMBER

FGS-LED

FIXTURE INSTALLATION STEPS:

- 1) TURN POWER OFF.
- 2) MAKE WIRE CONNECTIONS FROM INCOMING SUPPLY TO FIXTURE ASS'Y. (NOTE: FIXTURE ASSEMBLY MUST BE GROUNDED TO INCOMING EQUIPMENT GROUND SUPPLY).
- 3) SLIP FITTER OVER TOP OF POLE. SECURE FITTER WITH (4) STAINLESS STEEL SET SCREWS.
- 4) INSTALLATION COMPLETE.

TO SERVICE BALLAST:

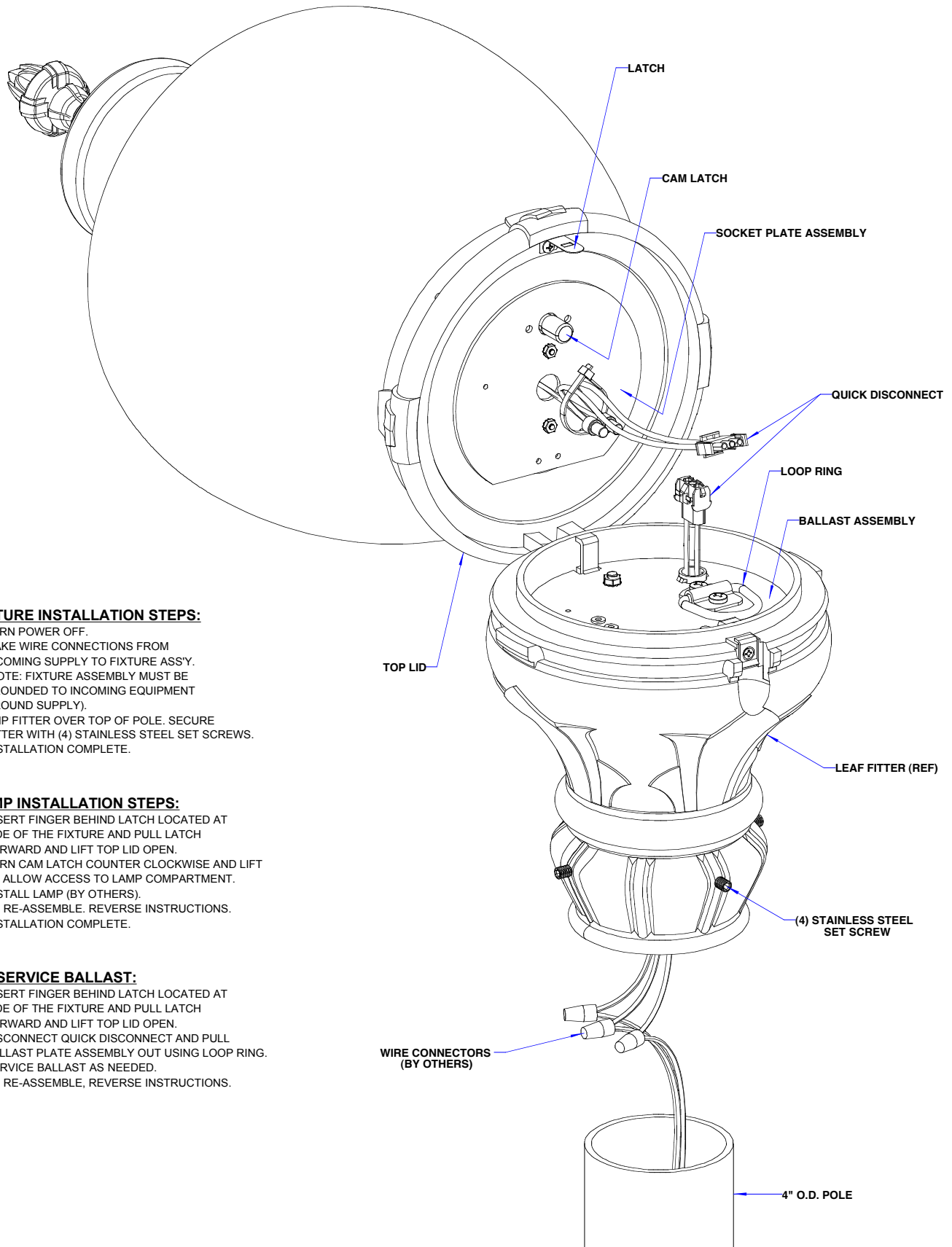
- 1) UNSCREW (4) STAINLESS STEEL SET SCREWS AND REMOVE LENS.
- 2) INSERT FINGER BEHIND LATCH LOCATED AT SIDE OF THE FIXTURE AND PULL LATCH FORWARD AND LIFT TOP LID OPEN.
- 3) DISCONNECT QUICK DISCONNECT.
- 4) SERVICE BALLAST AS NEEDED.
- 5) TO RE-ASSEMBLE, REVERSE INSTRUCTIONS.

WARNING:

THIS PRODUCT CONTAINS CHEMICALS KNOWN TO THE STATE OF CALIFORNIA TO CAUSE CANCER, BIRTH DEFECTS, AND/OR OTHER REPRODUCTIVE HARM. THOROUGHLY WASH HANDS AFTER INSTALLING, HANDLING, CLEANING OR OTHERWISE TOUCHING THIS PRODUCT.

INSTALLATION INSTRUCTIONS

CATALOG NUMBER

FGS

FIXTURE INSTALLATION STEPS:

- 1) TURN POWER OFF.
- 2) MAKE WIRE CONNECTIONS FROM INCOMING SUPPLY TO FIXTURE ASS'Y. (NOTE: FIXTURE ASSEMBLY MUST BE GROUNDED TO INCOMING EQUIPMENT GROUND SUPPLY).
- 3) SLIP FITTER OVER TOP OF POLE. SECURE FITTER WITH (4) STAINLESS STEEL SET SCREWS.
- 4) INSTALLATION COMPLETE.

LAMP INSTALLATION STEPS:

- 1) INSERT FINGER BEHIND LATCH LOCATED AT SIDE OF THE FIXTURE AND PULL LATCH FORWARD AND LIFT TOP LID OPEN.
- 2) TURN CAM LATCH COUNTER CLOCKWISE AND LIFT TO ALLOW ACCESS TO LAMP COMPARTMENT.
- 3) INSTALL LAMP (BY OTHERS).
- 4) TO RE-ASSEMBLE. REVERSE INSTRUCTIONS.
- 5) INSTALLATION COMPLETE.

TO SERVICE BALLAST:

- 1) INSERT FINGER BEHIND LATCH LOCATED AT SIDE OF THE FIXTURE AND PULL LATCH FORWARD AND LIFT TOP LID OPEN.
- 2) DISCONNECT QUICK DISCONNECT AND PULL BALLAST PLATE ASSEMBLY OUT USING LOOP RING.
- 3) SERVICE BALLAST AS NEEDED.
- 4) TO RE-ASSEMBLE, REVERSE INSTRUCTIONS.