

REV	DATE	RECORD	DESN	CHCK
A	12/23/13	ECN # 140120012	RC	KC

2 UP LED BOARD	
ITEM # 13 P/N	DESCRIPTION
93047432-3012	3000K
93047432-3014	4100K
93047432-3015	5100K

ITEM	PART #	QTY	DESCRIPTION	NOTES
26	80115	16 INCHES	RED 18 AWG WIRE	
25	80104	16 INCHES	BLACK 18 AWG WIRE	
24	A84048	2	NUT 1/4-20 HEX SS	
23	93049759	1	BRACKET FGL/FGS LED MOUNTING	
22	A86002-2	1	SCR-1/4-20x10 LG. SS THRD.STUD	PA3 / PA5 LENS
	A86002	1	SCR-1/4-20x7 LG. SS THRD.STUD	SLG LENS
21	88552	1	FEMALE 4-PIN QUICK DISCONNECT	
20	88548	1	FEMALE 2-PIN QUICK DISCONNECT	
19	88110	6	Socket, Quick Disconnect	
18	A74011	1	TERMINAL-FEMALE	
17	A74010	1	TERMINAL-MALE	
16	93023746	4	93023746 SCR. 6-32 x 1/4" PHH PHMS SS	
15	93049774	2	PLATE LED UPLIGHT	
14	93045602	2	93045602 Pico Emmitter, Acrylic	
13	SEE SHART	2	ASSY-PCB 2LED BOARD 1X2	
12	93049762	1	BRACKET LED UPLIGHT FGL-FGS	
11	A84032	2	SCR-8-32X1/2 PHH PHMS SS	
10	93049763	1	BRACKET LIFESHIELD Y-LED	
9	A74106	2	WIRE TERMINAL	
8	A74026	AR	CABLE TIE GT50S2 BIN ITEM	NOT SHOWN
7	93017851	2	SCR-4-40x3/16 PHH PH MS SS	
6	93042082-080051	1	SWITCH THERMAL N. O.	
5	A84041	3	SETSCR-1/4-20x1 SS	
4	A84051	5	SCR-1/4-20x1/2 BTN HD CAP SS	
3	A56332-18	3	STANDOFF 3/8"DIA. X 8"	
2	93041672	1	32-LED OPTICAL ASSEMBLY	
1	93046560	1	FGL/FGS LED MOUNTING PLATE	

PARTS LIST

UNSPECIFIED TOLERANCES: INCHES
 X.X=±0.1 X.XX=±0.03 X.XXX=±0.010
 FRACTIONS=±1/32 ANGULAR TOLERANCE=±1°

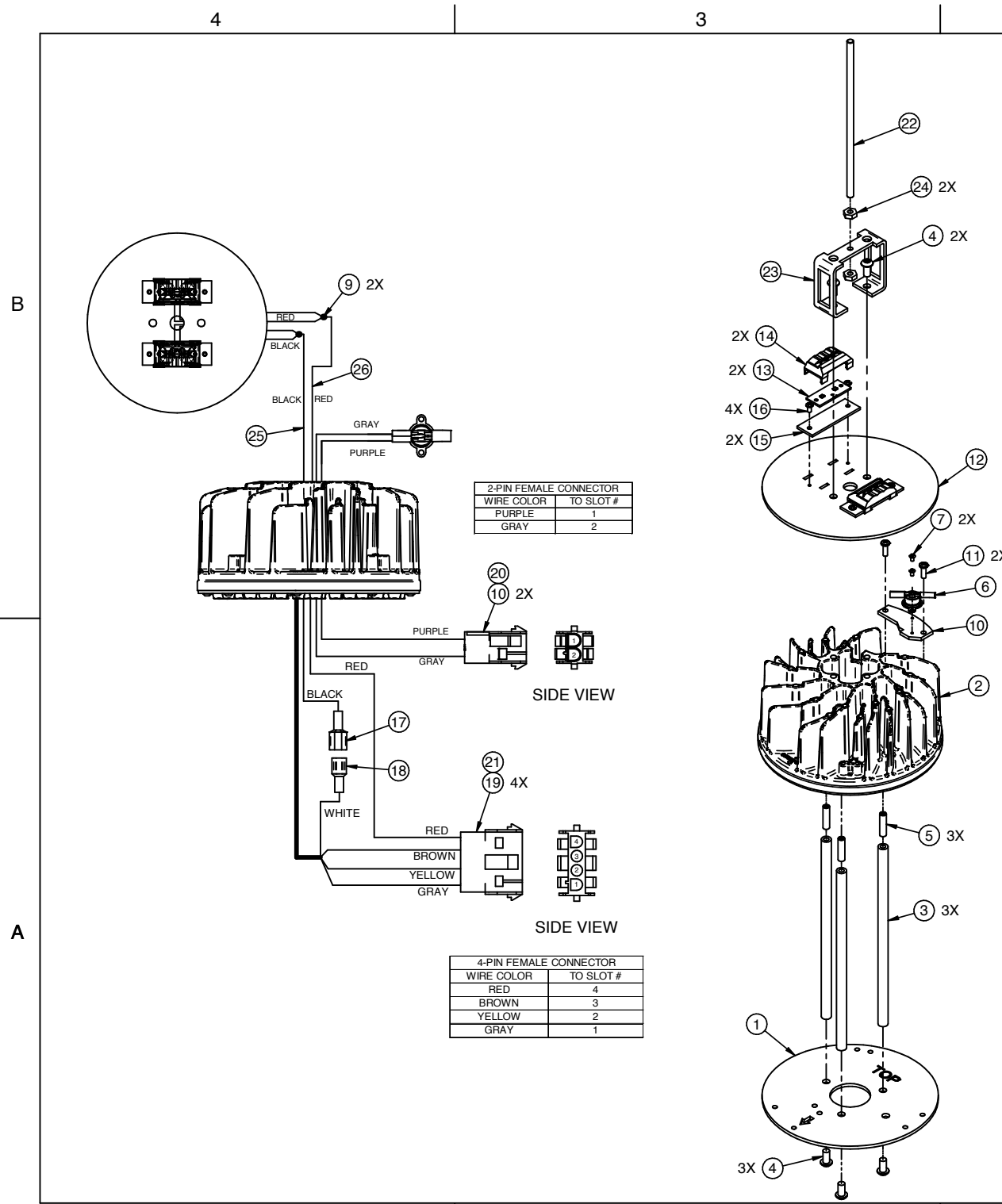
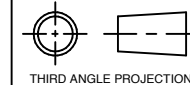
This document contains confidential and proprietary information of Architectural Area Lighting, a division of Current. Receipt or possession of this document does not convey any rights to reproduce or disclose its contents, or to make, use, or sell anything it may disclose. Reproduction, disclosure, or use of the document or its contents, without the specific written authorization of Current, may violate the intellectual property rights of Current.

RETROFIT KIT Y-LED FGL SLG-PA3-PA5 LENS

DIMENSIONS IN INCHES
 DIMENSIONS IN [] IN MM
 CONFORMS TO ASME Y14.5M
 DO NOT SCALE PRINT

DRAWN: rcarrillo 12/23/13
 CHECKED BY: --- --/--/--
 ENGINEERING: KC 12/23/13
 CATALOG NO. FGL Y-LED

MATERIAL: FINISH: PART NO. 93049782
 SCALE: B SIZE: DRAWING NO. 93049782 REV. A SHT 1 1 SHTS Current®



2-PIN FEMALE CONNECTOR	
WIRE COLOR	TO SLOT #
PURPLE	1
GRAY	2

4-PIN FEMALE CONNECTOR	
WIRE COLOR	TO SLOT #
RED	4
BROWN	3
YELLOW	2
GRAY	1

B

A

B

A

4

3

2

1

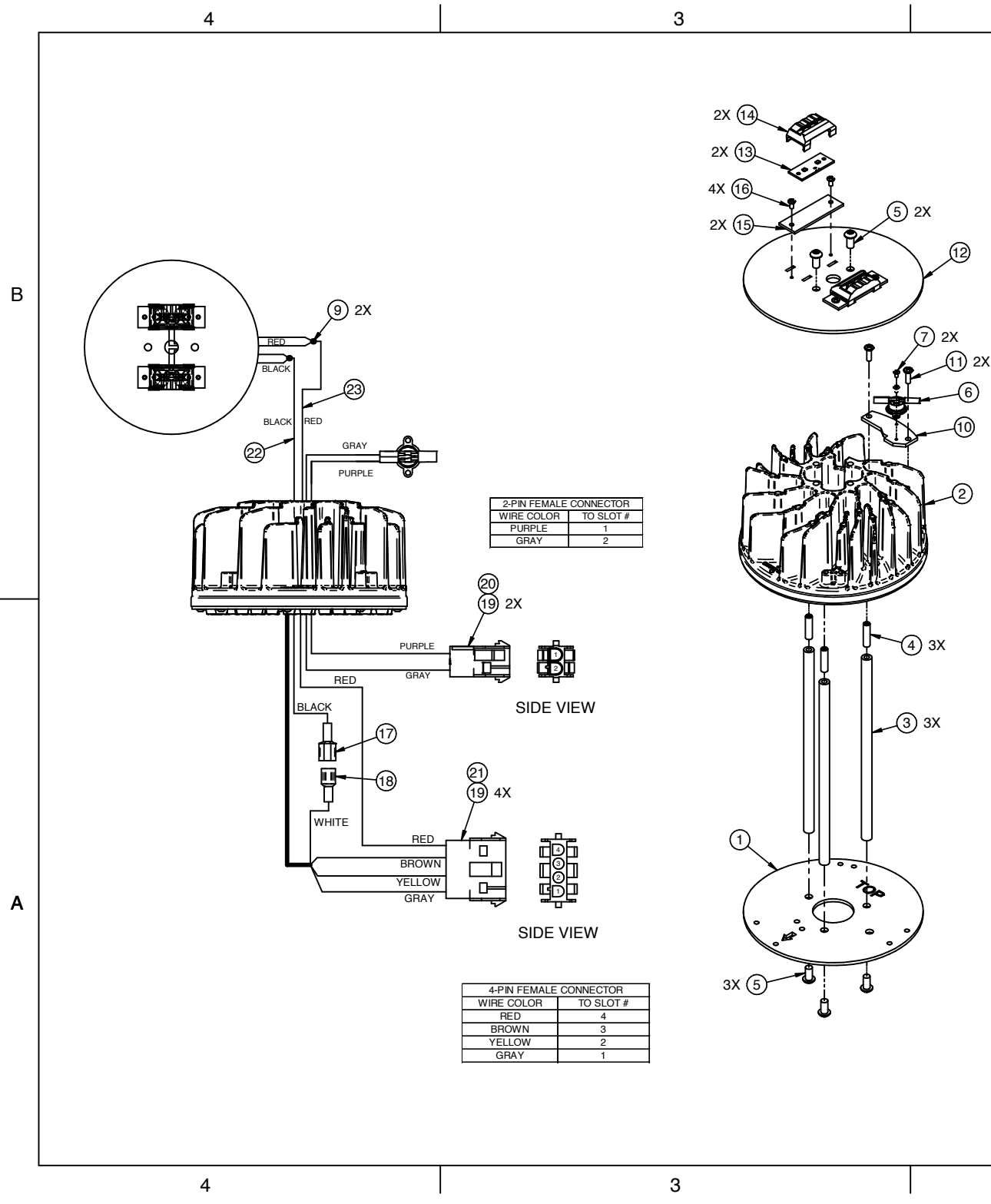
4

3

2

1

REV	DATE	RECORD	DESN	CHCK
A	12/20/13	ECN # 140120012	RC	KC



2 UP LED BOARD	
ITEM # 13 P/N	DESCRIPTION
93047432-3012	3000K
93047432-3014	4100K
93047432-3015	5100K

ITEM	PART #	QTY	DESCRIPTION	NOTES
23	80115	16 INCHES	RED 18 AWG WIRE	
22	80104	16 INCHES	BLACK 18 AWG WIRE	
21	88552	1	FEMALE 4-PIN QUICK DISCONNECT	
20	88548	1	FEMALE 2-PIN QUICK DISCONNECT	
19	88110	6	Socket, Quick Disconnect	
18	A74011	1	TERMINAL-FEMALE	
17	A74010	1	TERMINAL-MALE	
16	93023746	4	93023746 SCR. 6-32 x 1/4" PHH PHMS SS	
15	93049774	2	PLATE LED UPLIGHT	
14	93045602	2	93045602 Pico Emmitter, Acrylic	
13	SEE SHART	2	ASSY-PCB 2LED BOARD 1X2	
12	93049762	1	BRACKET LED UPLIGHT FGL-FGS	
11	A84032	2	SCR-8-32X1/2 PHH PHMS SS	
10	93049763	1	BRACKET LIFESHIELD Y-LED	
9	A74106	2	WIRE TERMINAL	NOT SHOWN
8	A74026	AR	CABLE TIE GT50S2 BIN ITEM	NOT SHOWN
7	93017851	2	SCR-4-40x3/16 PHH PH MS SS	
6	93042082-080051	1	SWITCH THERMAL N. O.	
5	A84051	5	SCR-1/4-20x1/2 BTN HD CAP SS	
4	A84041	3	SETSCR-1/4-20x1 SS	
3	A56332-18	3	STANDOFF 3/8"DIA. X 8"	
2	93041672	1	32-LED OPTICAL ASSEMBLY	
1	93046560	1	FGL/FGS LED MOUNTING PLATE	

PARTS LIST

UNSPECIFIED TOLERANCES: INCHES
 X.X=±0.1 X.XX=±0.03 X.XXX=±0.010
 FRACTIONS=±1/32 ANGULAR TOLERANCE=±1°

DIMENSIONS IN INCHES DRAWN: rcarrillo 12/20/13
 DIMENSIONS IN [] IN MM CHECKED BY: --- --/--/--
 CONFORMS TO ASME Y14.5M
 DO NOT SCALE PRINT

ENGINEERING: KC 12/20/13
 CATALOG NO. FGL Y-LED

THIRD ANGLE PROJECTION

This document contains confidential and proprietary information of Architectural Area Lighting, a division of Current. Receipt or possession of this document does not convey any rights to reproduce or disclose its contents, or to make, use, or sell anything it may disclose. Reproduction, disclosure, or use of the document or its contents, without the specific written authorization of Current, may violate the intellectual property rights of Current.

RETROFIT KIT Y-LED FGL SAL LENS

MATERIAL: FINISH: PART NO. 93049781

SCALE: SIZE: B DRAWING NO. 93049781 REV. A SHT 1 1 SHTS Current®

Installation Instructions

Fixture: FEDERAL GLOBE™ (FGL/ FGS) FOR LED

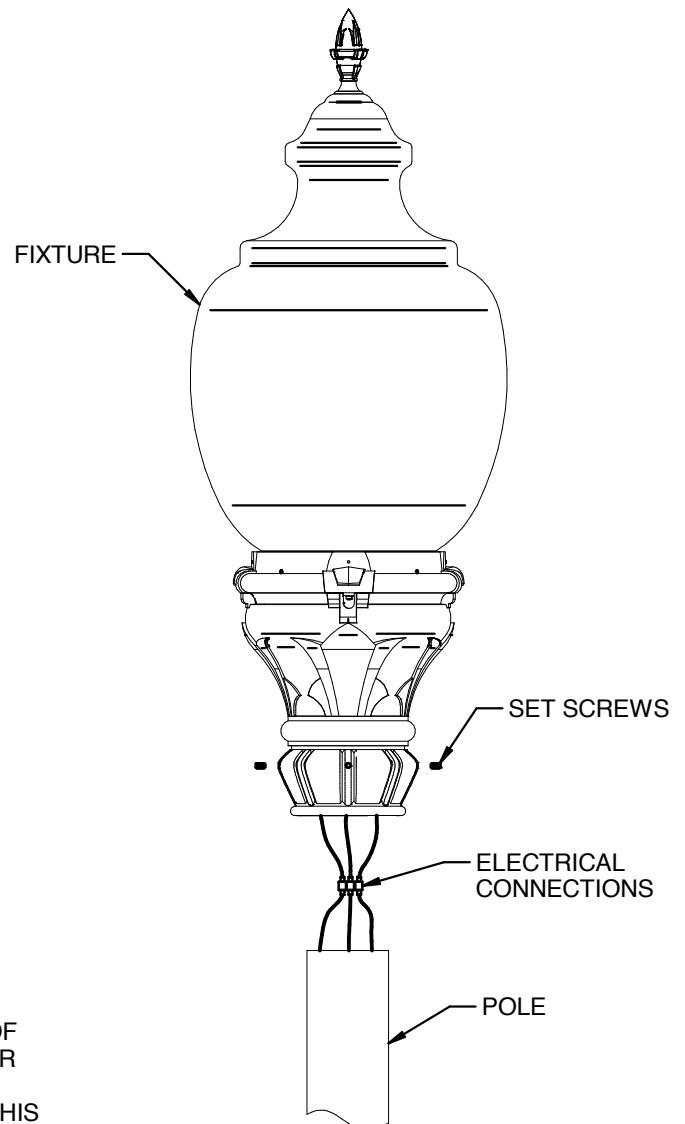


WARNING: Fixtures must be grounded in accordance with local codes or the National Electrical Code. Failure to do so may result in serious personal injury.

MAINTENANCE: A regularly scheduled maintenance program should be established to retain optimum light output and reduce heat retention. Dusting with a soft, clean, dry cloth is normally sufficient for the optics.

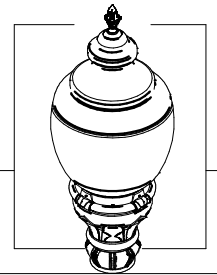
CAUTION: All wiring must be done by a qualified electrician. KEEP THIS SHEET FOR FUTURE REFERENCE.

1. Be sure all power is **OFF**.
2. Make wire connections from incoming supply to fixture as shown. (White to White, Black to Black and Green to Green) (Note: fixture must be grounded to incoming equipment ground supply.)
3. Slip fixture over pole top or tenon. Secure with four (4) supplied stainless steel set screws.
4. Turn power ON.



WARNING:

THIS PRODUCT CONTAINS CHEMICALS KNOWN TO THE STATE OF CALIFORNIA TO CAUSE CANCER, BIRTH DEFECTS, AND/OR OTHER REPRODUCTIVE HARM. THOROUGHLY WASH HANDS AFTER INSTALLING, HANDLING, CLEANING OR OTHERWISE TOUCHING THIS PRODUCT.



Y-LED Upgrade Kit Installation Guide

Fixture: FGL - Federal Globe Large Scale (FGL) - For SLG/PA3/PA5 Lens

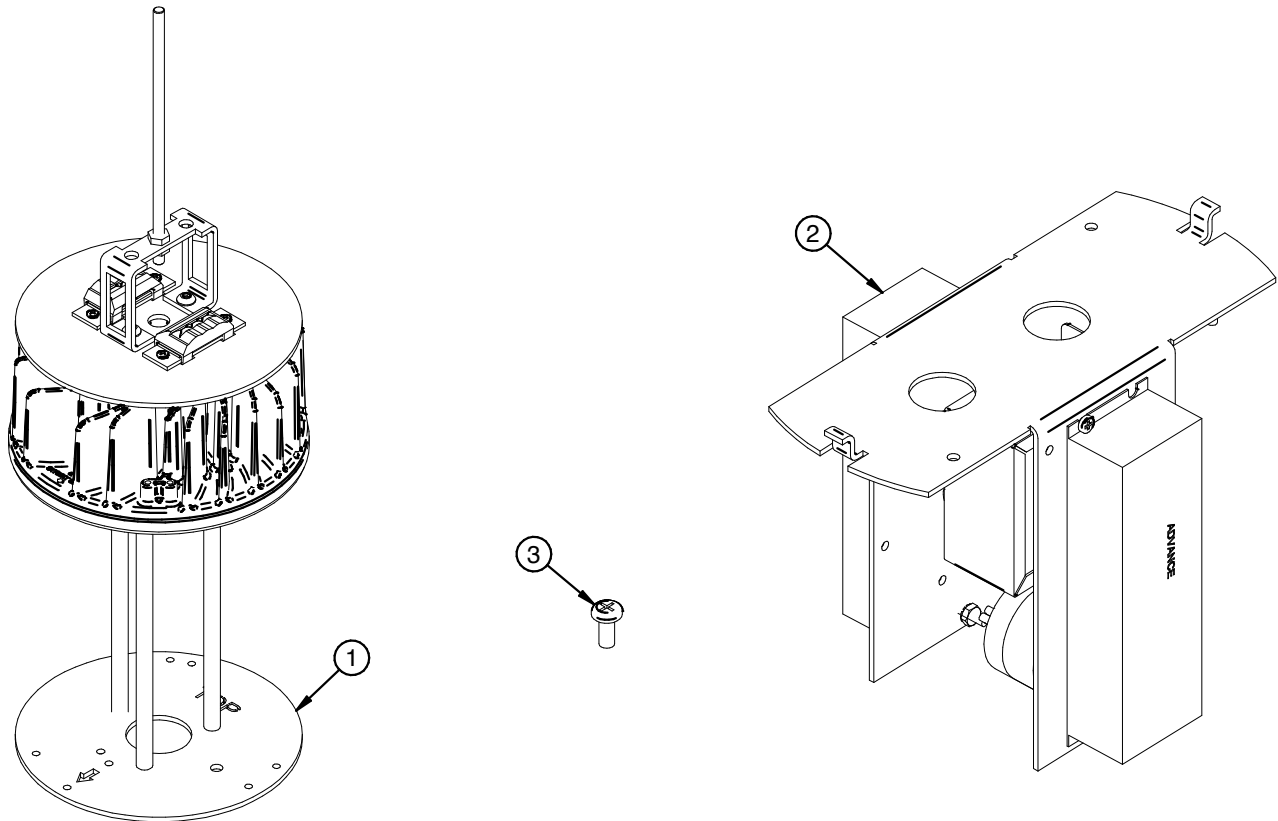


WARNING: Fixtures must be grounded in accordance with local codes or the National Electrical Code. Failure to do so may result in serious personal injury.

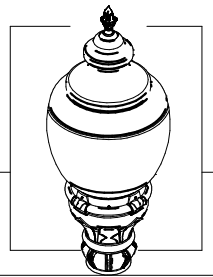
MAINTENANCE: A regularly scheduled maintenance program should be established to retain optimum light output and reduce heat retention. Dusting with a soft, clean, dry cloth is normally sufficient for the optics.

CAUTION: All wiring must be done by a qualified electrician. KEEP THIS SHEET FOR FUTURE REFERENCE.

UPGRADE KIT CONTENTS




PARTS LIST			
ITEM #	QTY	PART #	DESCRIPTION
1	1	93049782	RETROFIT KIT Y-LED FGL SLG-PA3-PA5 LENS
2	1	93049772	RETROFIT KIT Y-LED FGL DRIVER ASSY
3	3	A84033	SCR-8-32 x 3/8" PHLPS PHMS S/S



Y-LED Upgrade Kit Installation Guide

Fixture: FGL - Federal Globe Large Scale (FGL) - For SLG/PA3/PA5 Lens

1. REMOVE EXISTING REFLECTOR ASSEMBLY

 **TURN OFF ALL POWER TO THE UNIT AND TAKE PROPER SAFETY PRECAUTION. FAILURE TO DO SO MAY RESULT IN SERIOUS PERSONAL INJURY.**

1. REMOVE FINIAL BY TURNING IT COUNTER CLOCKWISE. (FIG. 1-1)
2. REMOVE GASKET AND TOP LENS ASSEMBLY. DO NOT DISCARD. (FIG. 1-1)
3. WITH A PHILLIPS HEAD SCREW DRIVER REACH INSIDE THE REFLECTOR FROM THE TOP AND LOOSEN THE THREE SCREWS. ROTATE THE STACK REFLECTOR AND REMOVE FROM CAST LID. (FIG. 1-2)

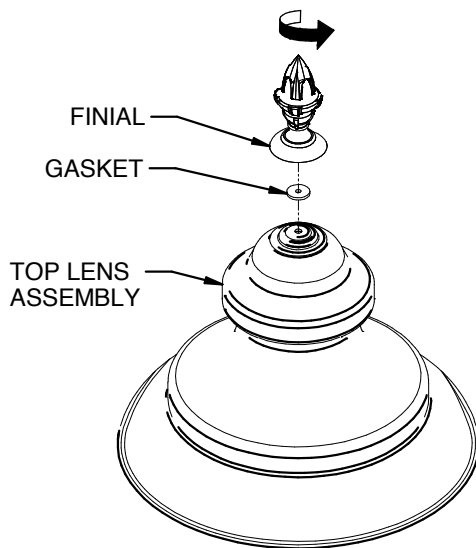


FIG. 1-1

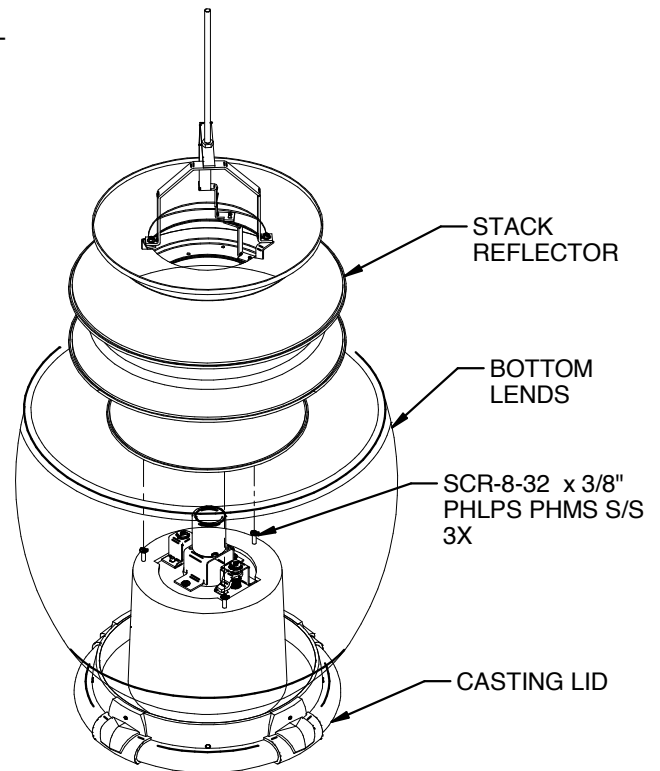
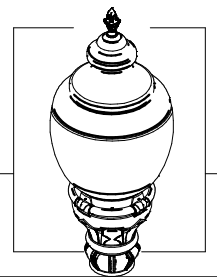


FIG. 1-2



Y-LED Upgrade Kit Installation Guide

Fixture: FGL - Federal Globe Large Scale (FGL) - For SLG/PA3/PA5 Lens

2. REMOVE EXISTING BALLAST ASSEMBLY AND SOCKET ASSEMBLY

1. TILT CAST LID TO THE SIDE BY PULLING LATCH BACKWARD. (FIG. 2-1)
2. DISENGAGE QUICK-DISCONNECT AND PULL APART. (FIG. 2-1)
3. REMOVE SOCKET ASSEMBLY BY TURNING TURN-LATCH COUNTER CLOCKWISE. (FIG. 2-2)
4. REMOVE BALLAST ASSEMBLY. (FIG. 2-3)

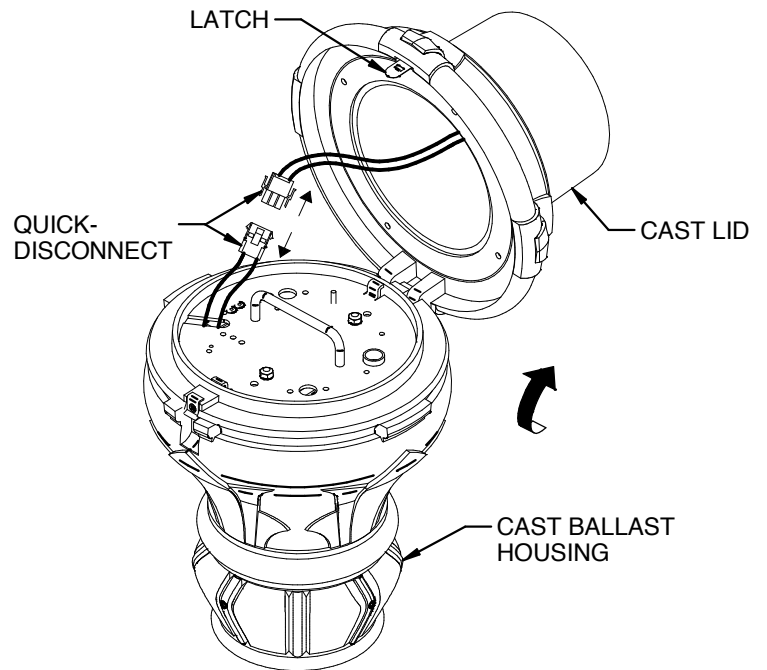


FIG. 2-1

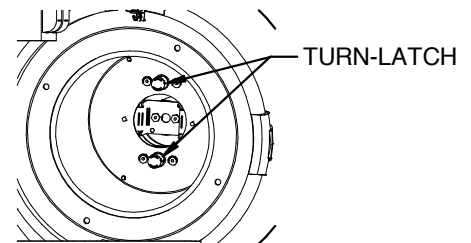
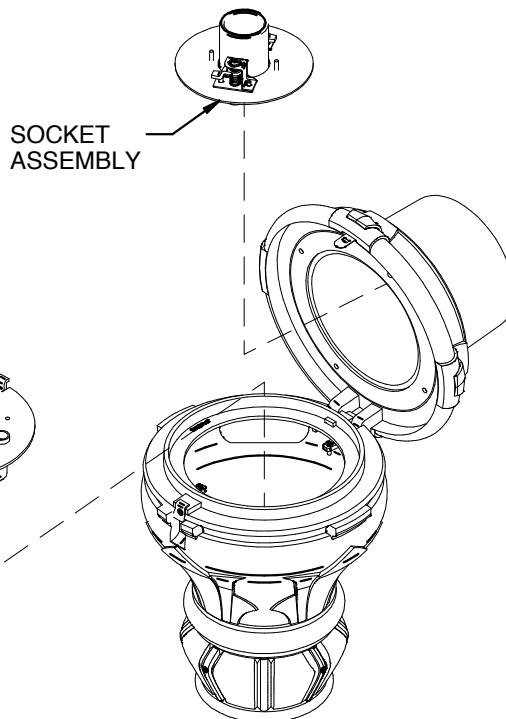


FIG. 2-2

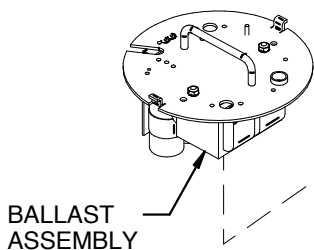
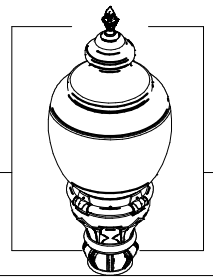


FIG. 2-3



Y-LED Upgrade Kit Installation Guide

Fixture: FGL - Federal Globe Large Scale (FGL) - For SLG/PA3/PA5 Lens

3. INSTALLING 32-LED Y6 MODULE AND LENS

1. INSTALL Y-MODULE TO CAST LID **WITH ARROW ON MOUNTING PLATE POINTING TO LATCH ON CAST LID** USING PROVIDED 8-32 X 3/8" SCREWS. (FIG. 3-1)
ARROW DENOTE STREET SIDE.
2. PLACE TOP LENS ASSEMBLY OVER BOTTOM LENS. (FIG. 3-2)
3. INSTALL GASKET AND FINIAL. (FIG. 3-2)
4. INSTALLATION COMPLETE. (FIG. 3-2)

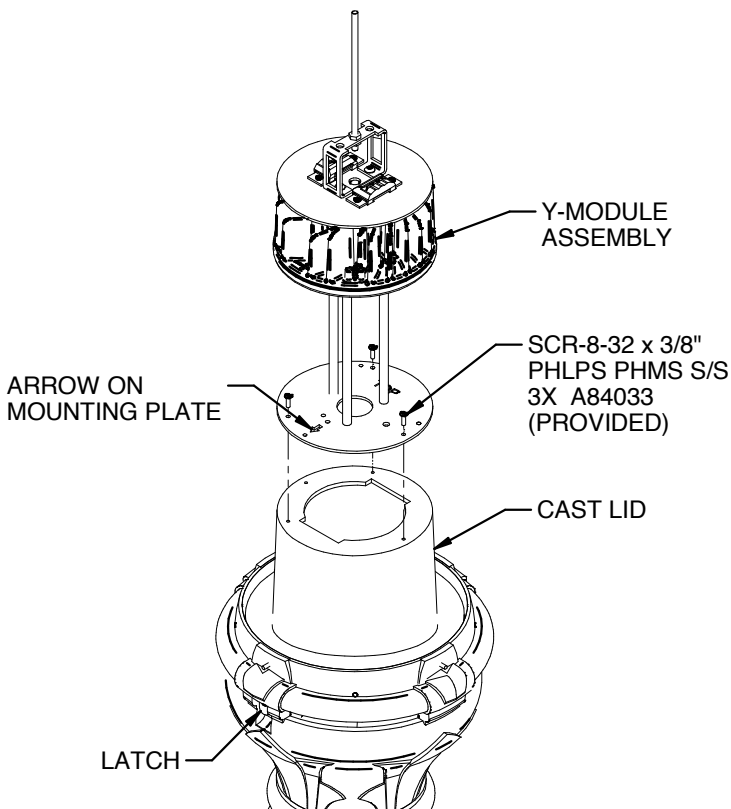


FIG. 3-1

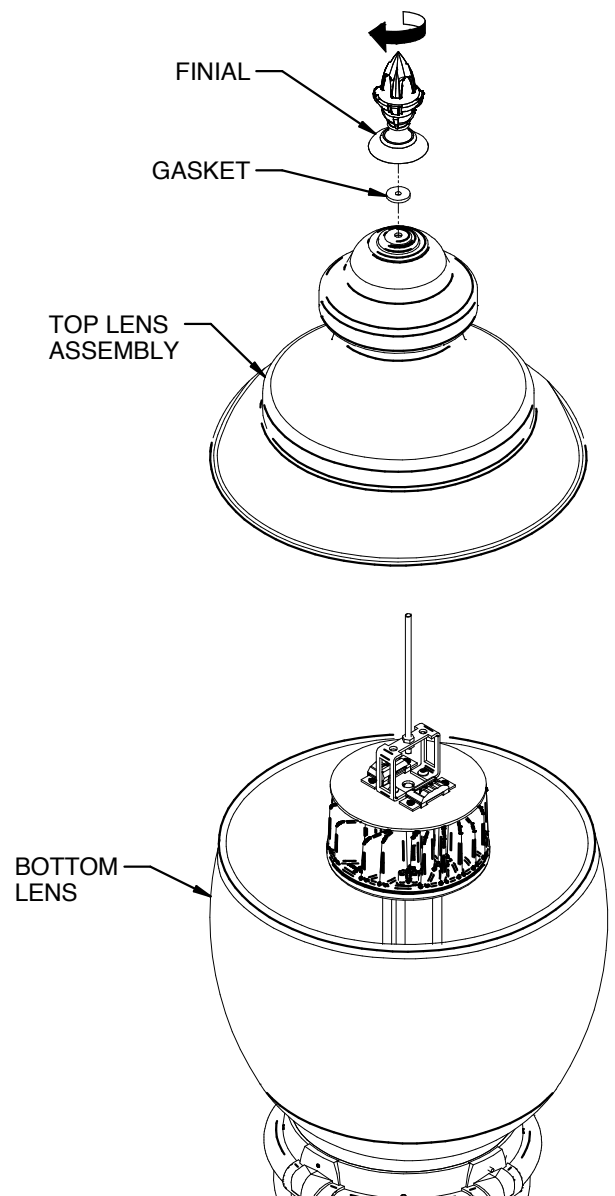
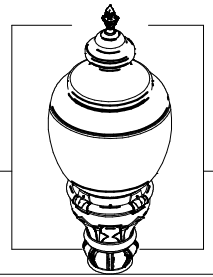


FIG. 3-2



Y-LED Upgrade Kit Installation Guide

Fixture: FGL - Federal Globe Large Scale (FGL) - For SLG/PA3/PA5 Lens

4. INSTALLING DRIVER ASSEMBLY

1. TILT GLOBE ASSEMBLY TO THE SIDE BY PULLING LATCH BACKWARD. (FIG 4-1)
2. INSTALL DRIVER ASSY. (FIG. 4-1)
3. MAKE WIRE CONNECTIONS BY CONNECTING QUICK DISCONNECT FROM DRIVER ASSY TO SOCKET ASSY AND LIFESHIELD QUICK DISCONNECT. (FIG. 4-2)
3. CLOSE FIXTURE, ENSURE LATCH SNAPS BACK TO ITS ORIGINAL POSITION. (FIG. 4-3)
4. MAKE WIRE CONNECTION FROM INCOMING TO DRIVER ASSY AS FOLLOWS: WHITE TO WHITE, BLACK TO BLACK AND GREEN TO GREEN. (FIG. 4-3)
5. INSTALLATION COMPLETE.

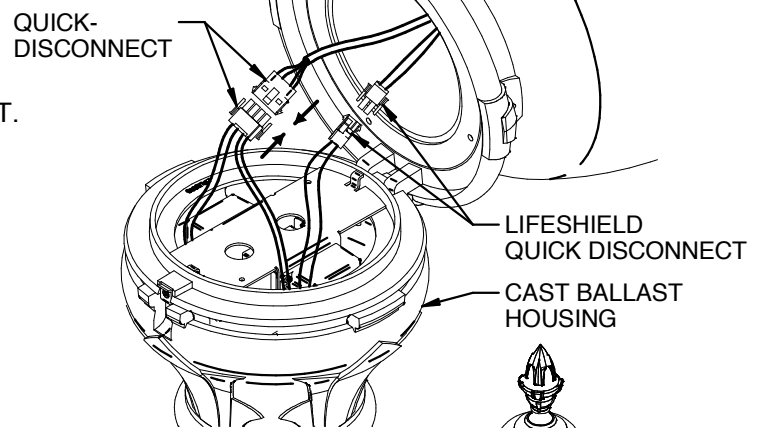


FIG. 4-2

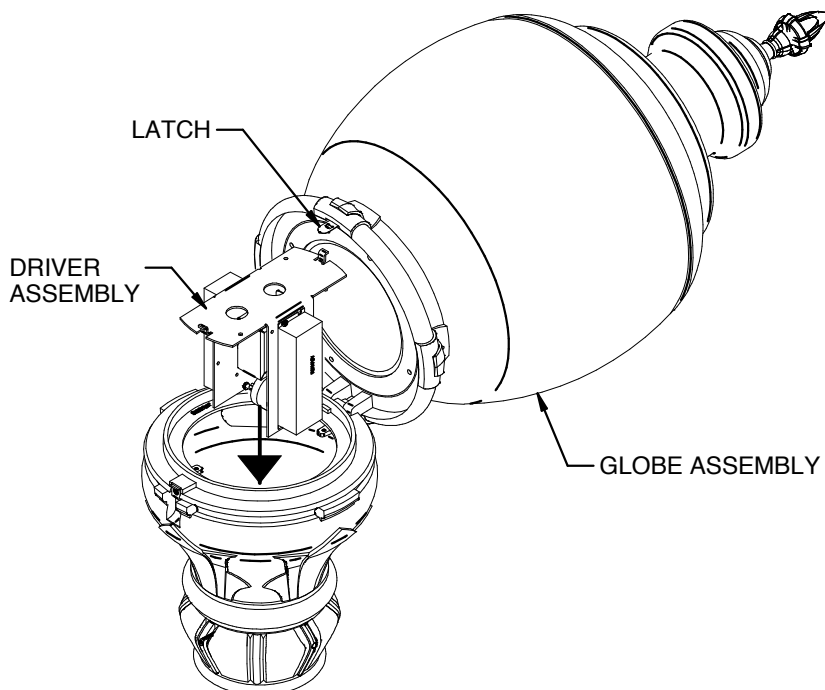


FIG. 4-1

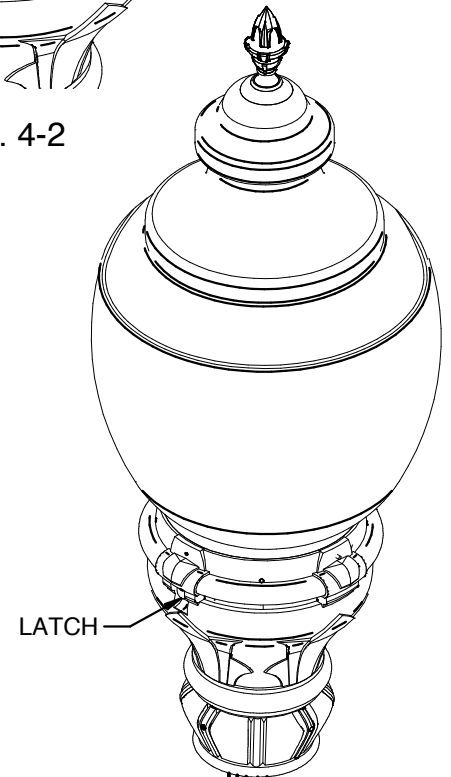
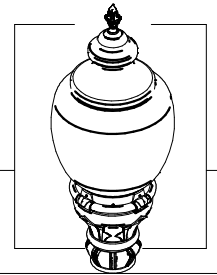


FIG. 4-3

INCOMING BLACK
 WHITE
 GREEN

BLACK
WHITE
GREEN
PURPLE
PINK



Y-LED Upgrade Kit Installation Guide

Fixture: FGL™ - Federal Globe Large Scale (FGL) FOR SAL LENS FOR GR3/ GR5/ BLO

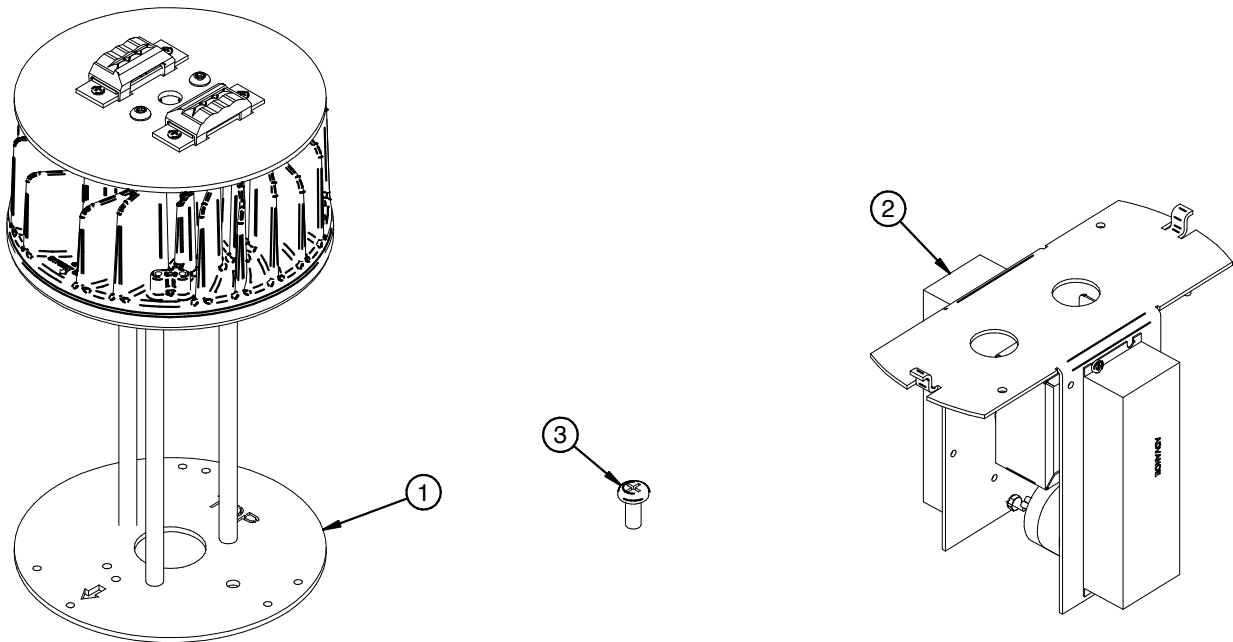


WARNING: Fixtures must be grounded in accordance with local codes or the National Electrical Code. Failure to do so may result in serious personal injury.

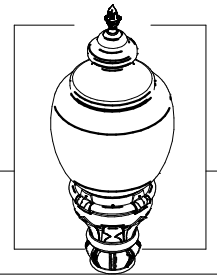
MAINTENANCE: A regularly scheduled maintenance program should be established to retain optimum light output and reduce heat retention. Dusting with a soft, clean, dry cloth is normally sufficient for the optics.

CAUTION: All wiring must be done by a qualified electrician. KEEP THIS SHEET FOR FUTURE REFERENCE.

UPGRADE KIT CONTENTS



PARTS LIST			
ITEM #	QTY	PART #	DESCRIPTION
1	1	93049781	RETROFIT KIT Y-LED FGL SAL LENS
2	1	93049772	RETROFIT KIT Y-LED FGL DRIVER ASSY
3	3	A84033	SCR-8-32 x 3/8" PHLPS PHMS S/S



Y-LED Upgrade Kit Installation Guide

Fixture: FGL™ - Federal Globe Large Scale (FGL) FOR SAL LENS FOR GR3/ GR5/ BLO

1. REMOVE LENS

⚠ TURN OFF ALL POWER TO THE UNIT AND TAKE PROPER SAFETY PRECAUTION. FAILURE TO DO SO MAY RESULT IN SERIOUS PERSONAL INJURY.

1. REMOVE GLOBE ASSEMBLY BY LOOSEN FOUR SET SCREWS. (FIG. 1-1)
2. IF GR3/GR5 OPTION IS PRESENT, REMOVE BY REMOVING THREE 8-32 x 3/8" SCREWS. (FIG. 1-2)

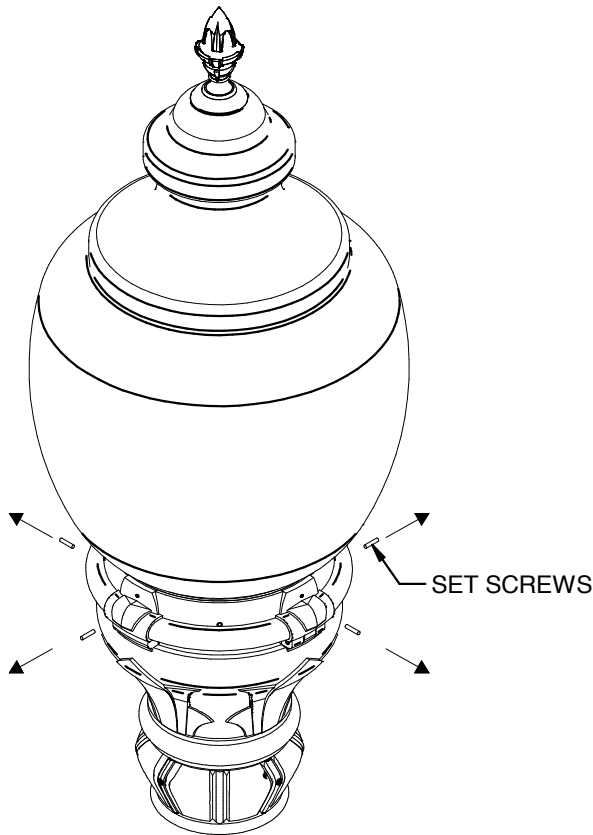


FIG. 1-1

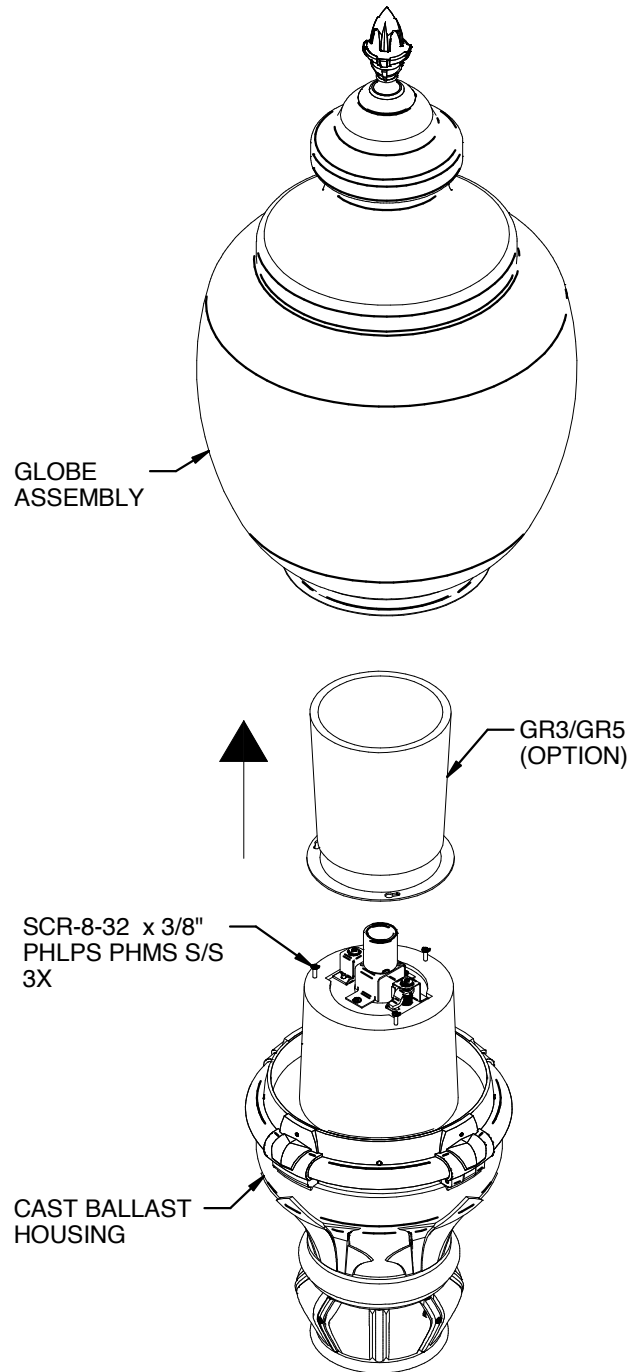
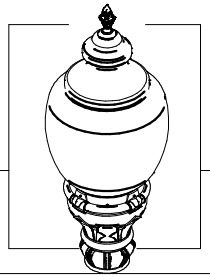


FIG. 1-2



Y-LED Upgrade Kit Installation Guide

Fixture: FGL™ - Federal Globe Large Scale (FGL) FOR SAL LENS FOR GR3/ GR5/ BLO

2. REMOVE EXISTING BALLAST ASSEMBLY AND SOCKET ASSEMBLY

1. TILT CAST LID TO THE SIDE BY PULLING LATCH BACKWARD. (FIG. 2-1)
2. DISENGAGE QUICK-DISCONNECT AND PULL APART. (FIG. 2-1)
3. REMOVE SOCKET ASSEMBLY BY TURNING TURN-LATCH COUNTER CLOCKWISE. (FIG. 2-2)
4. REMOVE BALLAST ASSEMBLY. (FIG. 2-3)

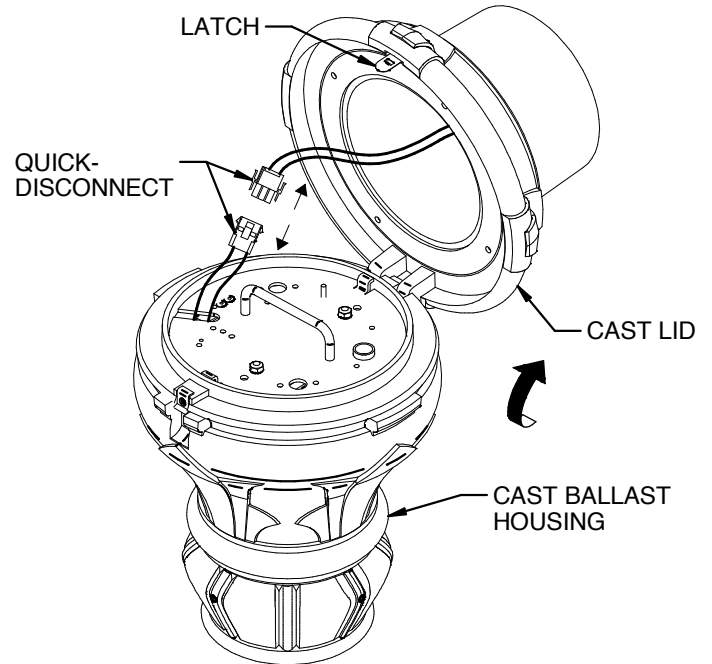


FIG. 2-1

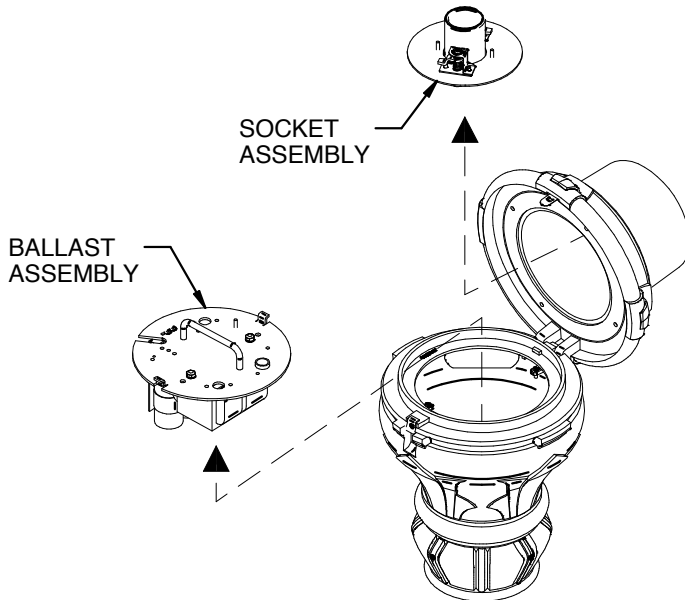


FIG. 2-3

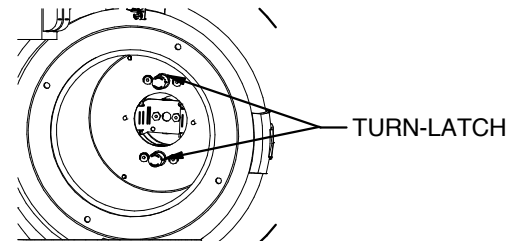
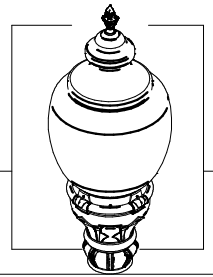


FIG. 2-2



Y-LED Upgrade Kit Installation Guide

Fixture: FGL™ - Federal Globe Large Scale (FGL) FOR SAL LENS FOR GR3/ GR5/ BLO

3. INSTALLING 32-LED Y6 MODULE AND LENS

1. INSTALL Y-MODULE TO CAST LID **WITH ARROW ON MOUNTING PLATE POINTING TO LATCH ON CAST LID** USING PROVIDED 8-32 X 3/8" SCREWS. (FIG. 3-1) **ARROW DENOTE STREET SIDE.**
2. PLACE GLOBE ASSEMBLY OVER CAST LID AND SECURE WITH FOUR SET SCREWS. (FIG. 3-2)

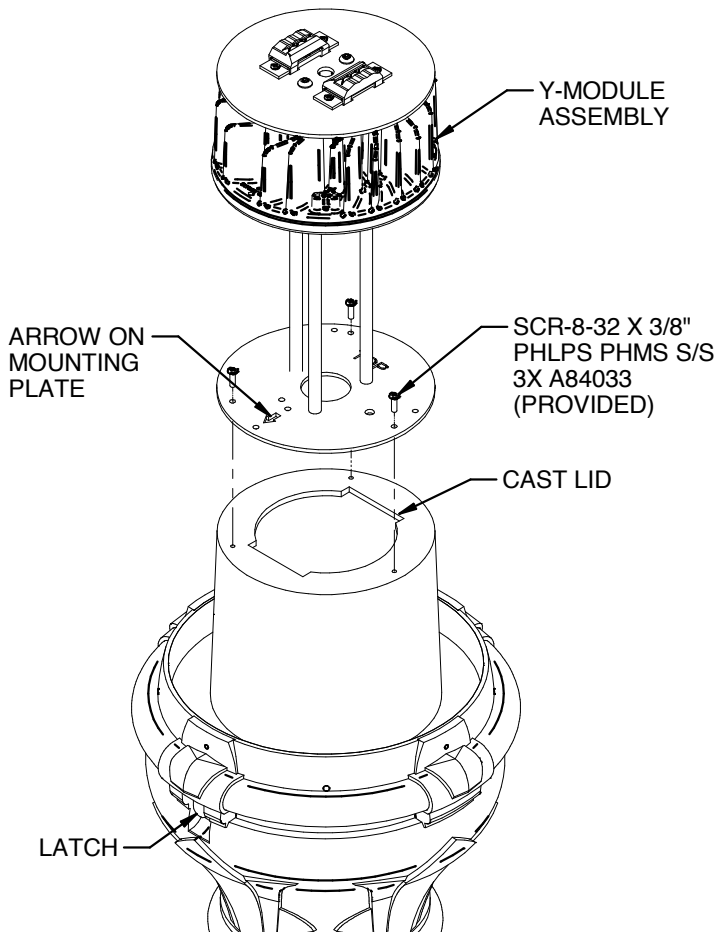


FIG. 3-1

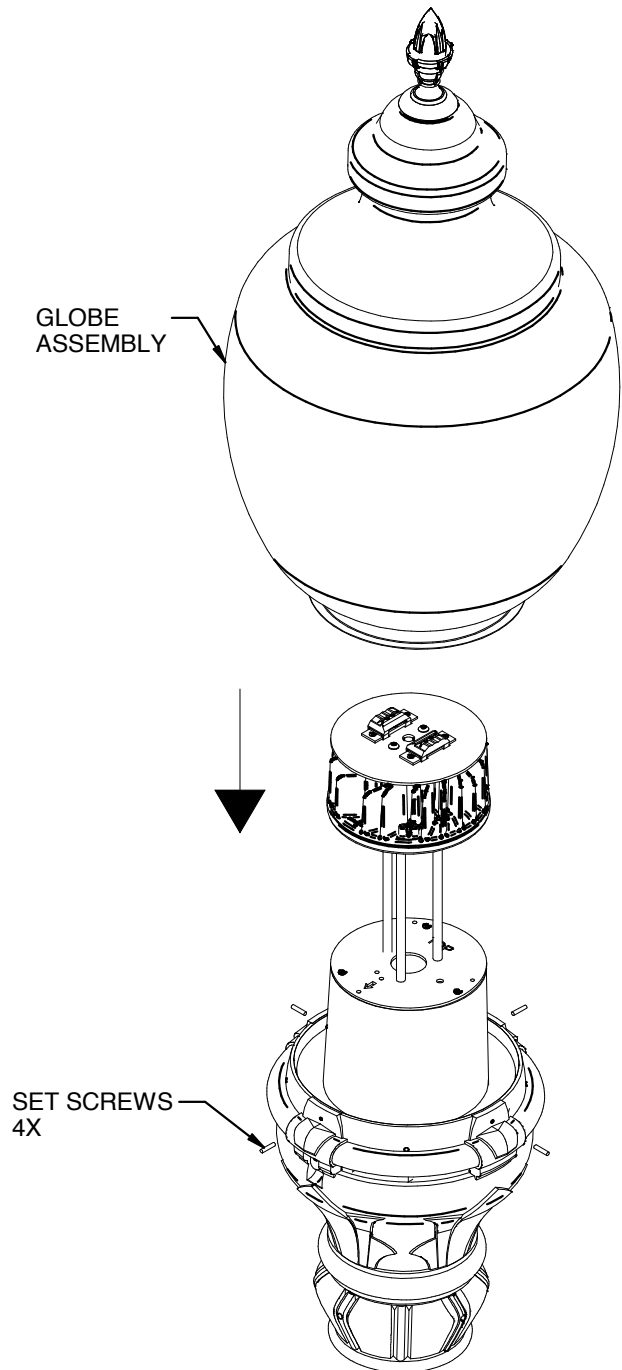
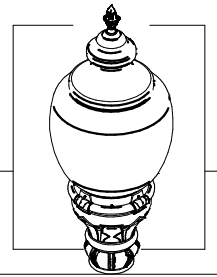


FIG. 3-2



Y-LED Upgrade Kit Installation Guide

Fixture: FGL™ - Federal Globe Large Scale (FGL) FOR SAL LENS FOR GR3/ GR5/ BLO

4. INSTALLING DRIVER ASSEMBLY

1. TILT GLOBE ASSEMBLY TO THE SIDE BY PULLING LATCH BACKWARD. (FIG. 4-1)
2. INSTALL DRIVER ASSY. (FIG. 4-1)
3. MAKE WIRE CONNECTIONS BY CONNECTING QUICK DISCONNECT FROM DRIVER ASSY TO SOCKET ASSY, AND LIFESHIELD QUICK DISCONNECT. (FIG. 4-2)
4. CLOSE FIXTURE, ENSURE LATCH SNAPS BACK TO ITS ORIGINAL POSITION. (FIG. 4-3)
5. MAKE WIRE CONNECTIONS FROM INCOMING TO DRIVER ASSY: WHITE TO WHITE, BLACK TO BLACK AND GREEN TO GREEN. (FIG. 4-3)
6. INSTALLATION COMPLETE.

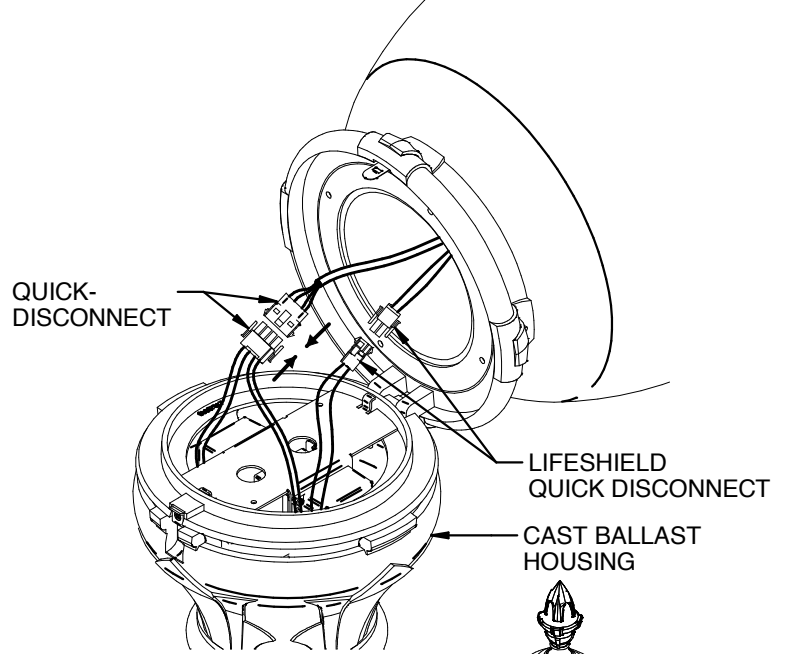


FIG. 4-2

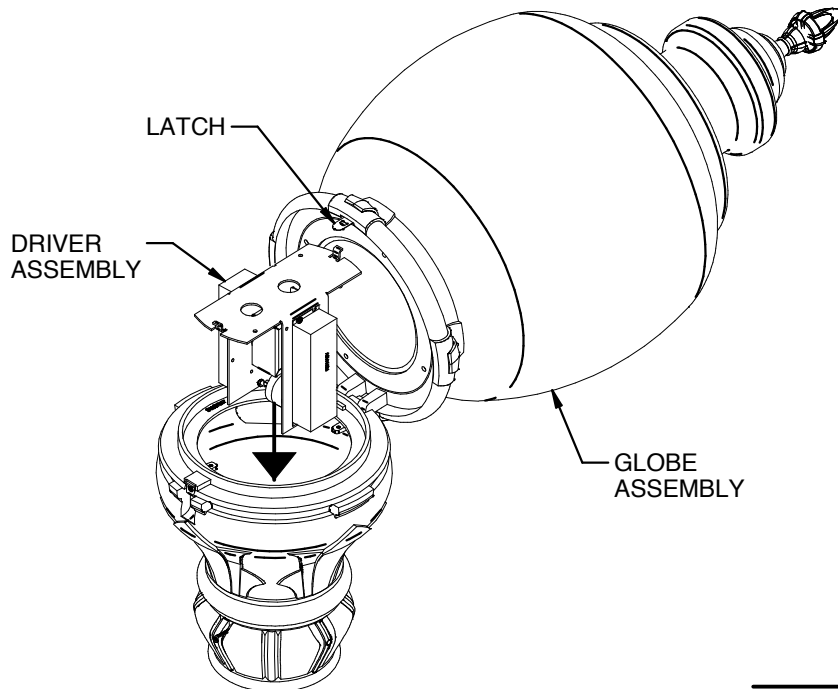


FIG. 4-1

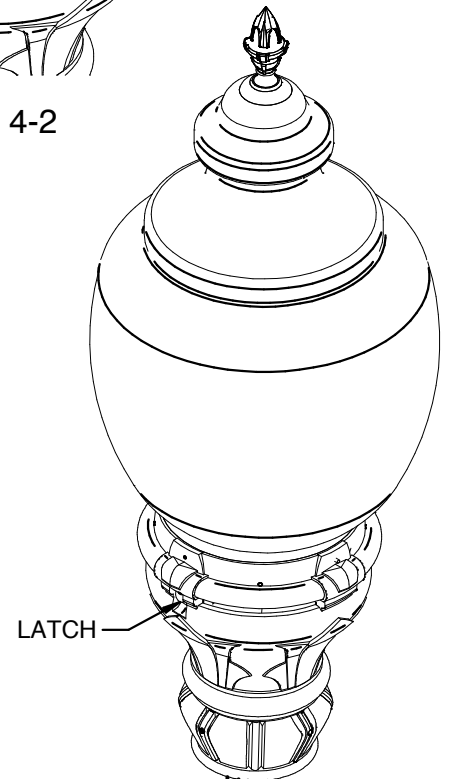


FIG. 4-3

BLACK
WHITE
GREEN

BLACK
WHITE
GREEN
PURPLE
PINK

4

3

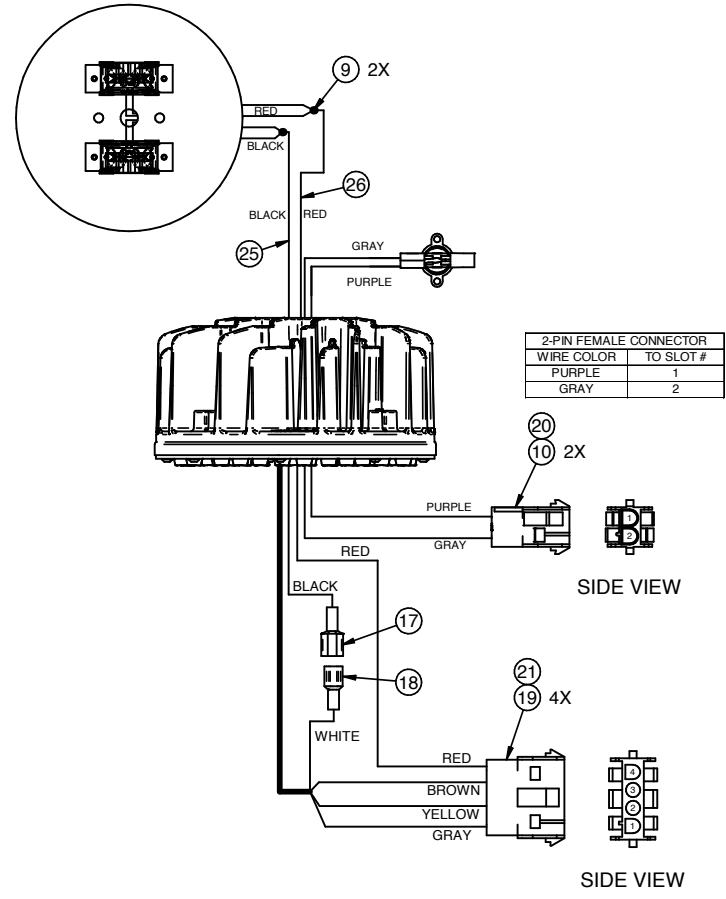
2

1

REV	DATE	RECORD	DESN	CHCK
A	12/23/13	ECN # 140120013	RC	KC

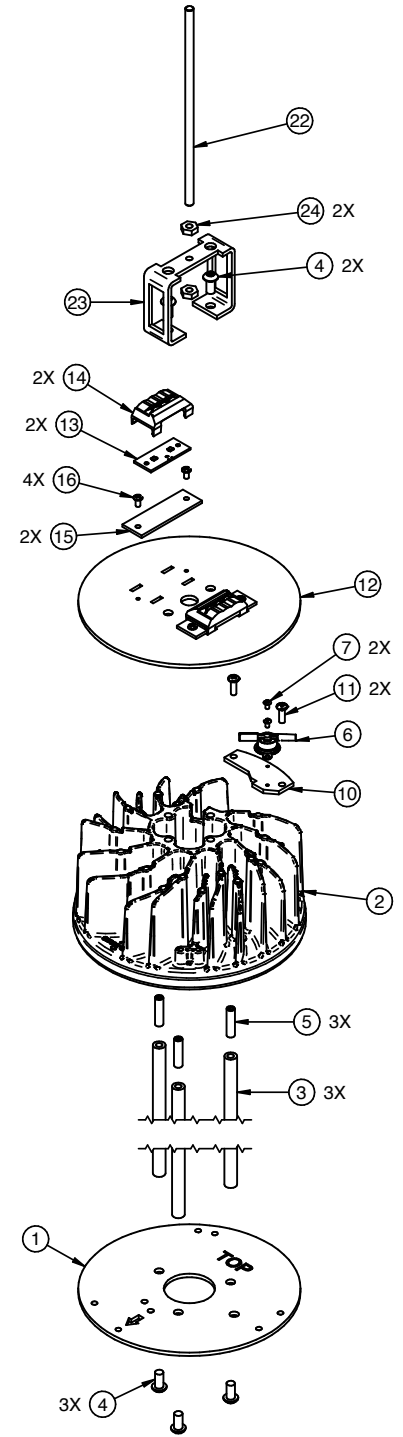
B

B



A

A



2 UP LED BOARD

ITEM # 13 P/N	DESCRIPTION
93047432-3012	3000K
93047432-3014	4100K
93047432-3015	5100K

26	80115	16 INCHES	RED 18 AWG WIRE	
25	80104	16 INCHES	BLACK 18 AWG WIRE	
24	A84048	2	NUT 1/4-20 HEX SS	
23	93049759	1	BRACKET FGL/FGS LED MOUNTING	
22	A86002	1	SCR-1/4-20x7 LG. SS THRD.STUD	
21	88552	1	FEMALE 4-PIN QUICK DISCONNECT	
20	88548	1	FEMALE 2-PIN QUICK DISCONNECT	
19	88110	6	Socket, Quick Disconnect	
18	A74011	1	TERMINAL-FEMALE	
17	A74010	1	TERMINAL-MALE	
16	93023746	4	SCR-6-32x1/4 PHH PHMS SS	
15	93049774	2	PLATE LED UPLIGHT	
14	93045602	2	93045602 Pico Emmitter, Acrylic	
13	SEE CHART	2	ASSY-PCB 2LED BOARD 1X2	
12	93049762	1	BRACKET LED UPLIGHT FGL-FGS	
11	A84032	2	SCR-8-32X1/2 PHH PHMS SS	
10	93049763	1	BRACKET LIFESHIELD Y-LED	
9	A74106	2	WIRE TERMINAL	
8	A74026	AR	CABLE TIE GT50S2 BIN ITEM	
7	93017851	2	SCR-4-40x3/16 PHH PH MS SS	
6	93042082-080051	1	SWITCH THERMAL N. O.	
5	A84041	3	SETSCR-1/4-20x1 SS	
4	A84051	5	SCR-1/4-20x1/2 BTN HD CAP SS	
3	A56332-19	3	STANDOFF 3/8"DIA. X 11.5"	
2	93041672	1	93041672-XXXX 32LED Optical Assembly	
1	93046560	1	FGL/FGS LED MOUNTING PLATE	
ITEM	PART #	QTY	DESCRIPTION	NOTES

PARTS LIST

UNSPECIFIED TOLERANCES: INCHES
 X.X=±0.1 X.XX=±0.03 X.XXX=±0.010
 FRACTIONS=±1/32 ANGULAR TOLERANCE=±1°

DIMENSIONS IN INCHES DRAWN: rcarrillo 12/23/13
 DIMENSIONS IN [] IN MM CHECKED BY: --- --/--
 CONFORMS TO ASME Y14.5M
 DO NOT SCALE PRINT

ENGINEERING: KC 12/23/13
 CATALOG NO. FGS Y-LED

THIRD ANGLE PROJECTION

architectural lighting

This document contains confidential and proprietary information of Architectural Area Lighting, a division of Current. Receipt or possession of this document does not convey any rights to reproduce or disclose its contents, or to make, use, or sell anything it may disclose. Reproduction, disclosure, or use of the document or its contents, without the specific written authorization of Current, may violate the intellectual property rights of Current.

RETROFIT KIT Y-LED FGS SAL LENS WITH CCO OPION

MATERIAL: FINISH: PART NO. 93049902

SCALE: B SIZE: DRAWING NO. 93049902 REV. A SHT 1 1 SHTS Current®

4

3

2

1

REV	DATE	RECORD	DESN	CHCK
A	12/23/13	ECN # 140120012	RC	KC

2 UP LED BOARD	
ITEM # 13 P/N	DESCRIPTION
93047432-3012	3000K
93047432-3014	4100K
93047432-3015	5100K

ITEM	PART #	QTY	DESCRIPTION	NOTES
26	80115	16 INCHES	RED 18 AWG WIRE	
25	80104	16 INCHES	BLACK 18 AWG WIRE	
24	A84048	2	NUT 1/4-20 HEX SS	
23	93049759	1	BRACKET FGL/FGS LED MOUNTING	
22	A86002-2	1	SCR-1/4-20x10 LG. SS THRD.STUD	PA3 / PA5 LENS
	A86002	1	SCR-1/4-20x7 LG. SS THRD.STUD	SLG LENS
21	88552	1	FEMALE 4-PIN QUICK DISCONNECT	
20	88548	1	FEMALE 2-PIN QUICK DISCONNECT	
19	88110	6	Socket, Quick Disconnect	
18	A74011	1	TERMINAL-FEMALE	
17	A74010	1	TERMINAL-MALE	
16	93023746	4	93023746 SCR. 6-32 x 1/4" PHH PHMS SS	
15	93049774	2	PLATE LED UPLIGHT	
14	93045602	2	93045602 Pico Emmitter, Acrylic	
13	SEE SHART	2	ASSY-PCB 2LED BOARD 1X2	
12	93049762	1	BRACKET LED UPLIGHT FGL-FGS	
11	A84032	2	SCR-8-32X1/2 PHH PHMS SS	
10	93049763	1	BRACKET LIFESHIELD Y-LED	
9	A74106	2	WIRE TERMINAL	
8	A74026	AR	CABLE TIE GT50S2 BIN ITEM	NOT SHOWN
7	93017851	2	SCR-4-40x3/16 PHH PH MS SS	
6	93042082-080051	1	SWITCH THERMAL N. O.	
5	A84041	3	SETSCR-1/4-20x1 SS	
4	A84051	5	SCR-1/4-20x1/2 BTN HD CAP SS	
3	A56332-18	3	STANDOFF 3/8"DIA. X 8"	
2	93041672	1	32-LED OPTICAL ASSEMBLY	
1	93046560	1	FGL/FGS LED MOUNTING PLATE	

PARTS LIST

UNSPECIFIED TOLERANCES: INCHES
X.X=±0.1 X.XX=±0.03 X.XXX=±0.010
FRACTIONS=±1/32 ANGULAR TOLERANCE=±1°

DIMENSIONS IN INCHES DRAWN: rcarillo 12/23/13
DIMENSIONS IN [] IN MM CHECKED BY: --- --/--
CONFORMS TO ASME Y14.5M
DO NOT SCALE PRINT

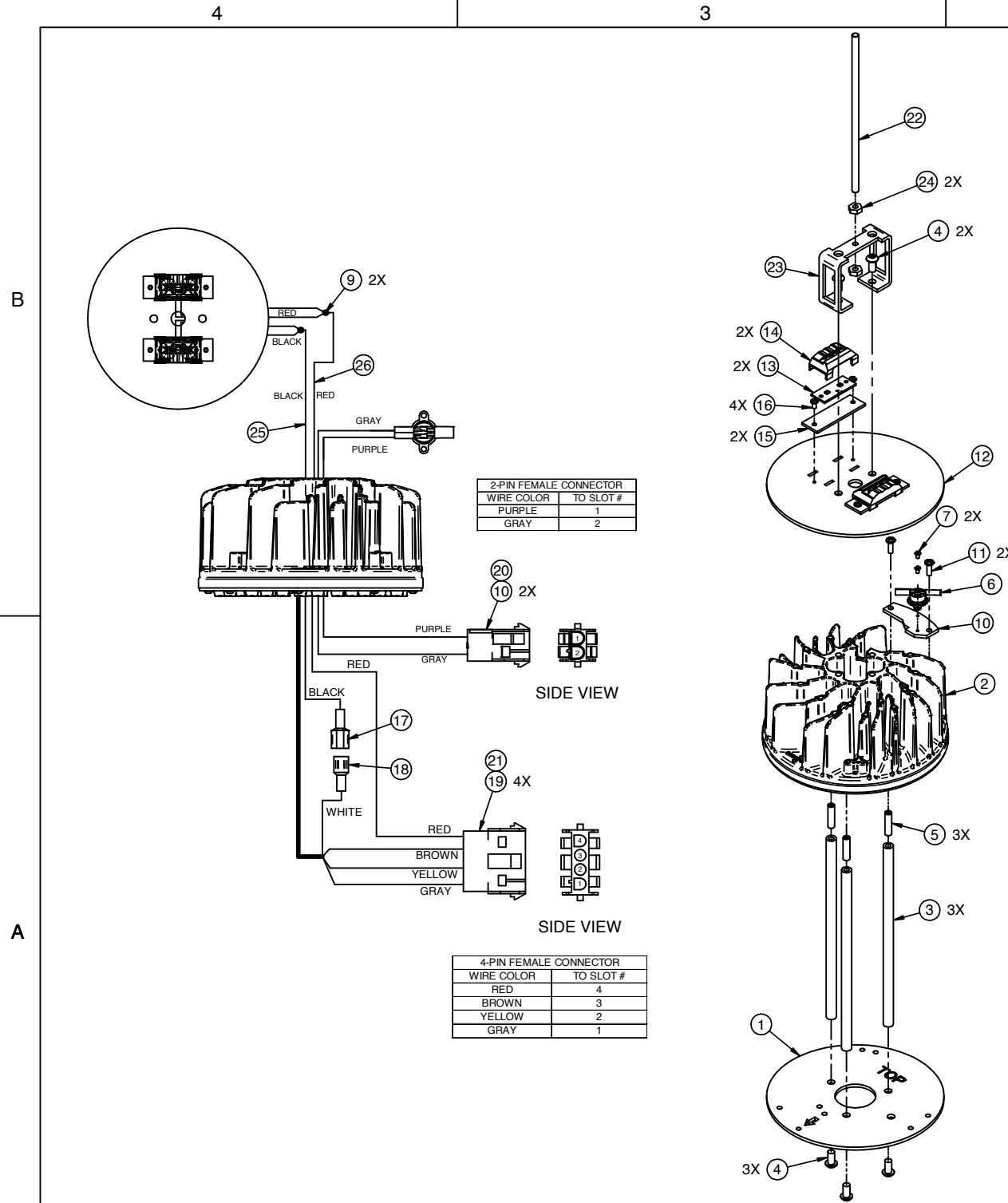
ENGINEERING: KC 12/23/13
CATALOG NO. FGL Y-LED

THIRD ANGLE PROJECTION

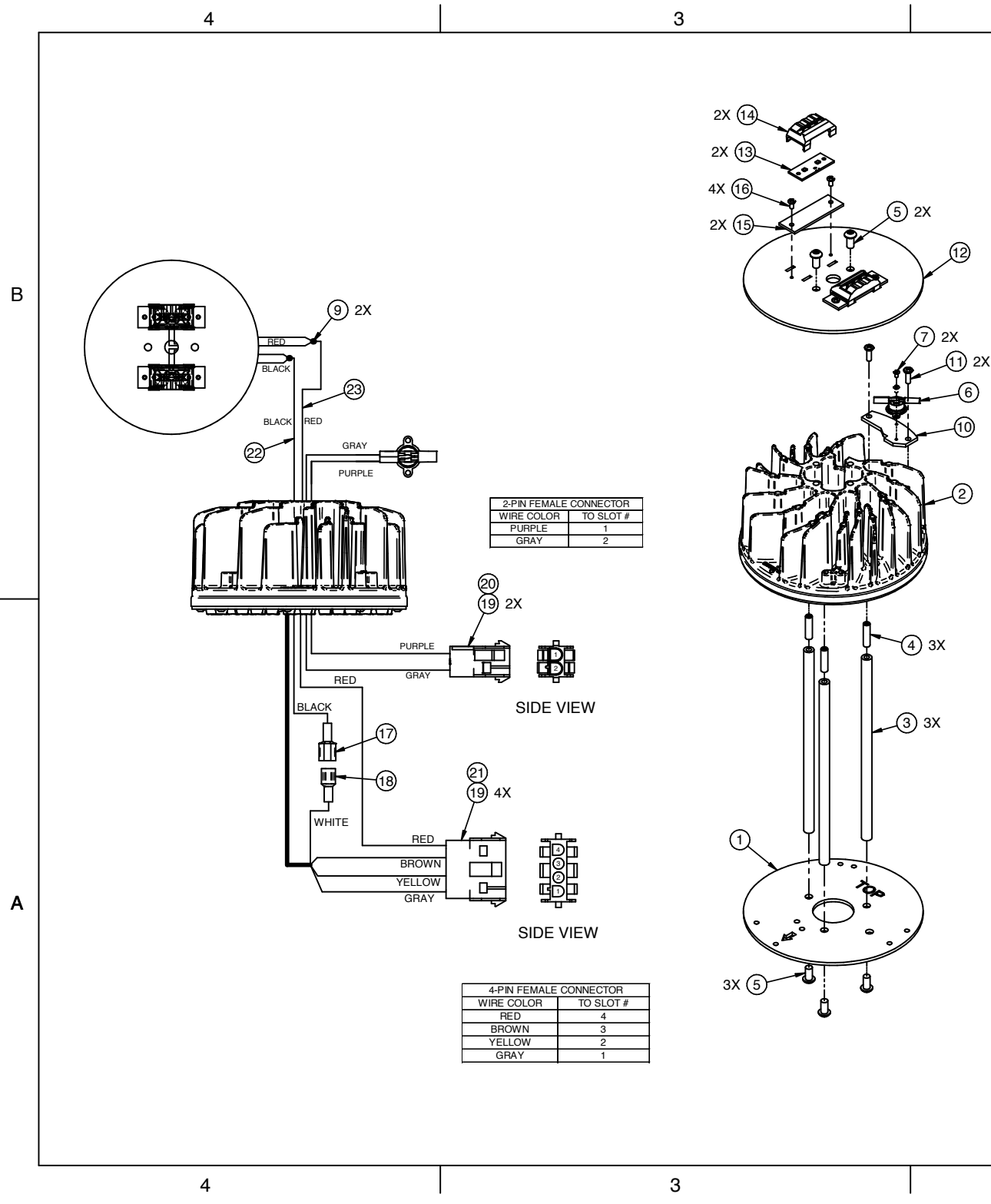
RETROFIT KIT Y-LED FGL SLG-PA3-PA5 LENS

MATERIAL: FINISH: PART NO. 93049782

SCALE: B SIZE: DRAWING NO. 93049782 REV. A SHT 1 1 SHTS Current®



REV	DATE	RECORD	DESN	CHCK
A	12/20/13	ECN # 140120012	RC	KC



2 UP LED BOARD	
ITEM # 13 P/N	DESCRIPTION
93047432-3012	3000K
93047432-3014	4100K
93047432-3015	5100K

ITEM	PART #	QTY	DESCRIPTION	NOTES
23	80115	16 INCHES	RED 18 AWG WIRE	
22	80104	16 INCHES	BLACK 18 AWG WIRE	
21	88552	1	FEMALE 4-PIN QUICK DISCONNECT	
20	88548	1	FEMALE 2-PIN QUICK DISCONNECT	
19	88110	6	Socket, Quick Disconnect	
18	A74011	1	TERMINAL-FEMALE	
17	A74010	1	TERMINAL-MALE	
16	93023746	4	93023746 SCR. 6-32 x 1/4" PHH PHMS SS	
15	93049774	2	PLATE LED UPLIGHT	
14	93045602	2	93045602 Pico Emmitter, Acrylic	
13	SEE SHART	2	ASSY-PCB 2LED BOARD 1X2	
12	93049762	1	BRACKET LED UPLIGHT FGL-FGS	
11	A84032	2	SCR-8-32X1/2 PHH PHMS SS	
10	93049763	1	BRACKET LIFESHIELD Y-LED	
9	A74106	2	WIRE TERMINAL	NOT SHOWN
8	A74026	AR	CABLE TIE GT50S2 BIN ITEM	NOT SHOWN
7	93017851	2	SCR-4-40x3/16 PHH PH MS SS	
6	93042082-080051	1	SWITCH THERMAL N. O.	
5	A84051	5	SCR-1/4-20x1/2 BTN HD CAP SS	
4	A84041	3	SETSCR-1/4-20x1 SS	
3	A56332-18	3	STANDOFF 3/8"DIA. X 8"	
2	93041672	1	32-LED OPTICAL ASSEMBLY	
1	93046560	1	FGL/FGS LED MOUNTING PLATE	

PARTS LIST

UNSPECIFIED TOLERANCES: INCHES
 X.X=±0.1 X.XX=±0.03 X.XXX=±0.010
 FRACTIONS=±1/32 ANGULAR TOLERANCE=±1°

DIMENSIONS IN INCHES DRAWN: rcarrillo 12/20/13
 DIMENSIONS IN [] IN MM CHECKED BY: --- --/--/--
 CONFORMS TO ASME Y14.5M
 DO NOT SCALE PRINT

ENGINEERING: KC 12/20/13
 CATALOG NO. FGL Y-LED

THIRD ANGLE PROJECTION

This document contains confidential and proprietary information of Architectural Area Lighting, a division of Current. Receipt or possession of this document does not convey any rights to reproduce or disclose its contents, or to make, use, or sell anything it may disclose. Reproduction, disclosure, or use of the document or its contents, without the specific written authorization of Current, may violate the intellectual property rights of Current.

RETROFIT KIT Y-LED FGL SAL LENS

MATERIAL: FINISH: PART NO. 93049781

SCALE: SIZE: B DRAWING NO. 93049781 REV. A SHT 1 1 SHTS Current®

Installation Instructions

Fixture: FEDERAL GLOBE™ (FGL/ FGS) FOR LED

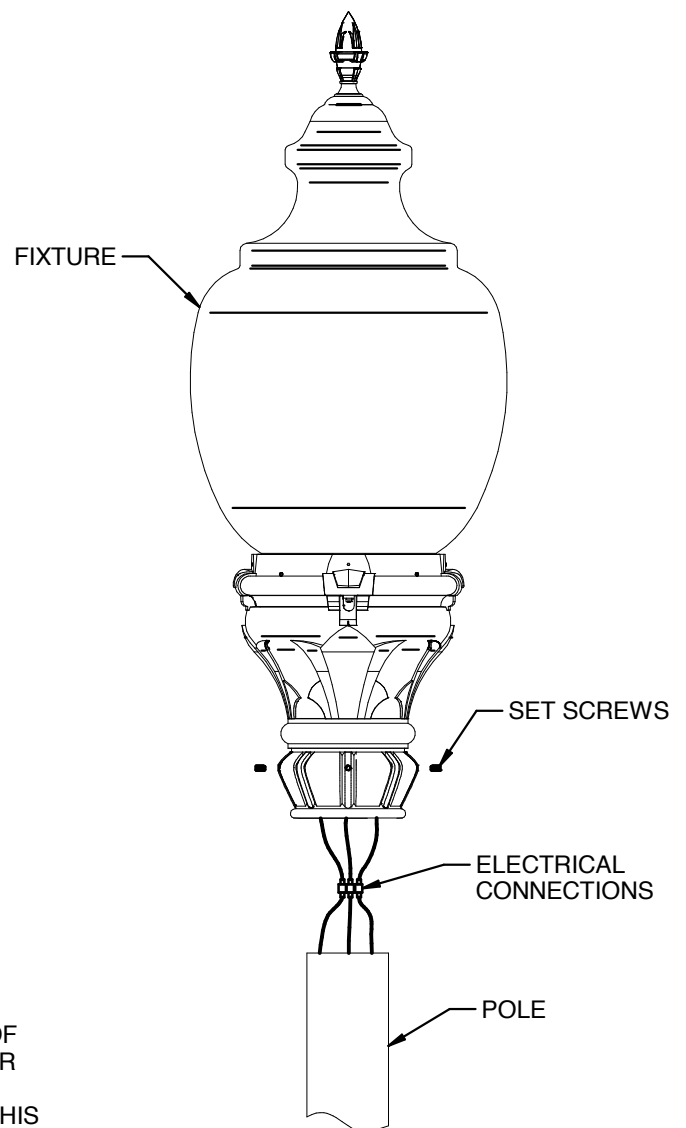


WARNING: Fixtures must be grounded in accordance with local codes or the National Electrical Code. Failure to do so may result in serious personal injury.

MAINTENANCE: A regularly scheduled maintenance program should be established to retain optimum light output and reduce heat retention. Dusting with a soft, clean, dry cloth is normally sufficient for the optics.

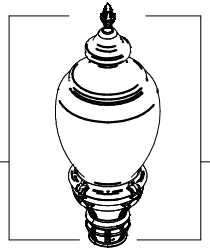
CAUTION: All wiring must be done by a qualified electrician. KEEP THIS SHEET FOR FUTURE REFERENCE.

1. Be sure all power is **OFF**.
2. Make wire connections from incoming supply to fixture as shown. (White to White, Black to Black and Green to Green) (Note: fixture must be grounded to incoming equipment ground supply.)
3. Slip fixture over pole top or tenon. Secure with four (4) supplied stainless steel set screws.
4. Turn power ON.



WARNING:

THIS PRODUCT CONTAINS CHEMICALS KNOWN TO THE STATE OF CALIFORNIA TO CAUSE CANCER, BIRTH DEFECTS, AND/OR OTHER REPRODUCTIVE HARM. THOROUGHLY WASH HANDS AFTER INSTALLING, HANDLING, CLEANING OR OTHERWISE TOUCHING THIS PRODUCT.



Y-LED Upgrade Kit Installation Guide

Fixture: FGS™ Federal Globe Small Scale (FGS) For SAL Lens With CCO Optical System

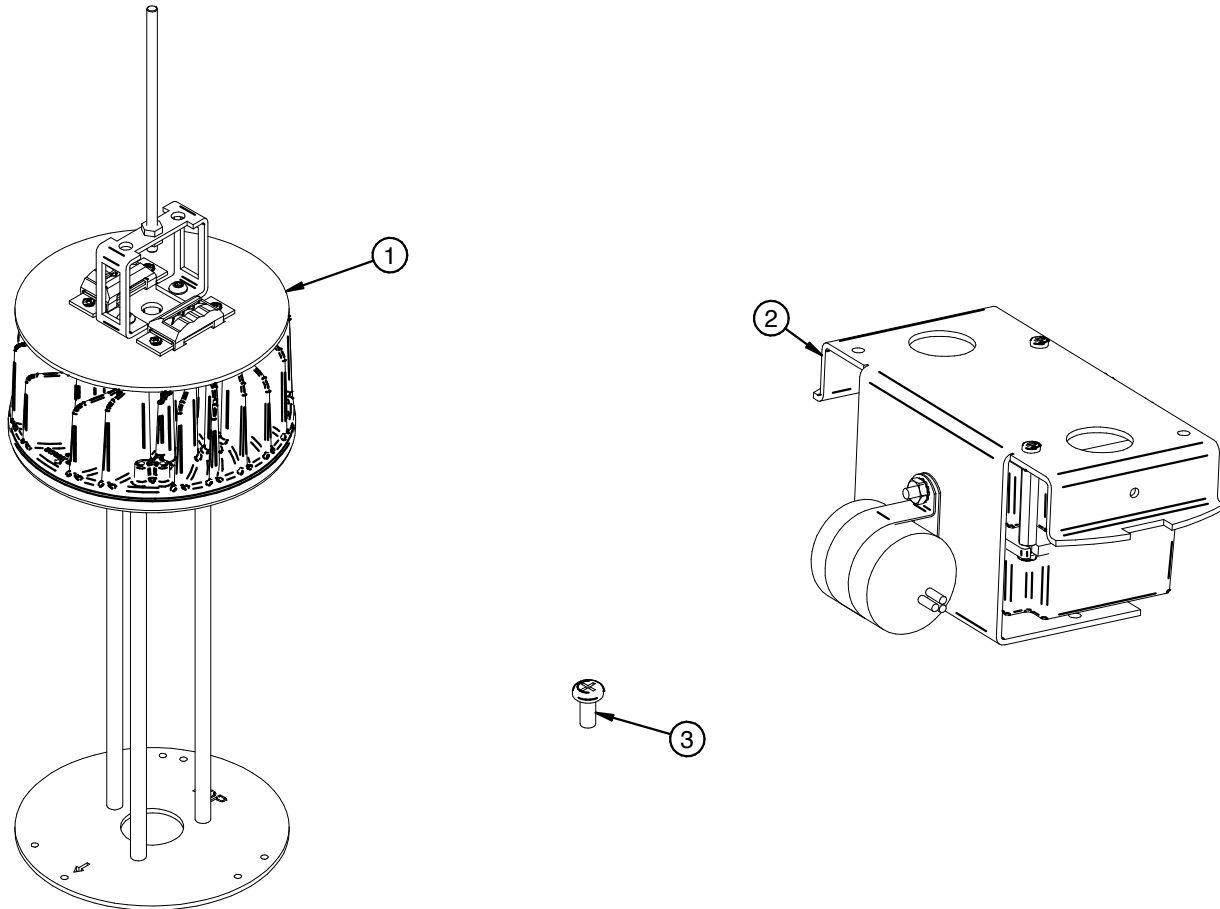


WARNING: Fixtures must be grounded in accordance with local codes or the National Electrical Code. Failure to do so may result in serious personal injury.

MAINTENANCE: A regularly scheduled maintenance program should be established to retain optimum light output and reduce heat retention. Dusting with a soft, clean, dry cloth is normally sufficient for the optics.

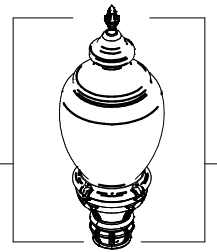
CAUTION: All wiring must be done by a qualified electrician. KEEP THIS SHEET FOR FUTURE REFERENCE.

UPGRADE KIT CONTENTS



PARTS LIST			
ITEM #	QTY	PART #	DESCRIPTION
1	1	93049902	RETROFIT KIT Y-LED SAL LENS WITH CCO OPTION
2	1	93049901	RETROFIT KIT Y-LED DRIVER ASSY
3	3	A84033	SCR-8-32 x 3/8" PHLPS PHMS S/S

93049777 REV. A



Y-LED Upgrade Kit Installation Guide

Fixture: FGS™- Federal Globe Small Scale (FGS) For SAL Lens With CCO Optical System

1. REMOVE LENS

⚠️ TURN OFF ALL POWER TO THE UNIT AND TAKE PROPER SAFETY PRECAUTION. FAILURE TO DO SO MAY RESULT IN SERIOUS PERSONAL INJURY.

1. REMOVE FINIAL BY TURNING IT COUNTER CLOCKWISE. (FIG. 1-1)
2. REMOVE GASKET AND TOP LENS ASSEMBLY. DO NOT DISCARD. (FIG. 1-1)
3. WITH A PHILLIPS HEAD SCREW DRIVER LOOSEN THREE SCREWS AND REMOVE CCO OPTICAL SYSTEM FROM CAST LID. (FIG. 1-2)

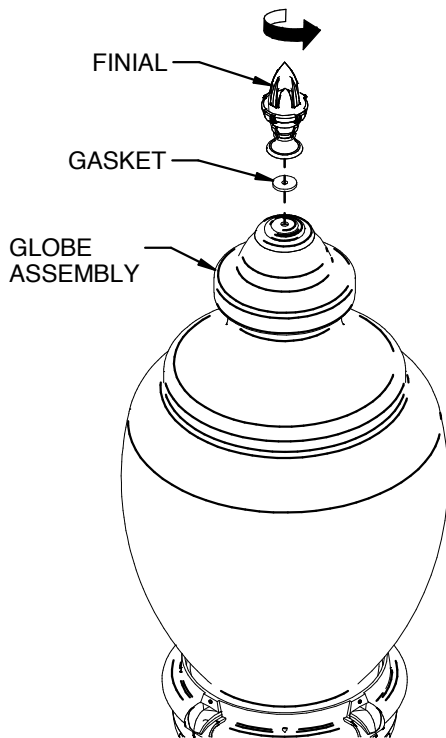
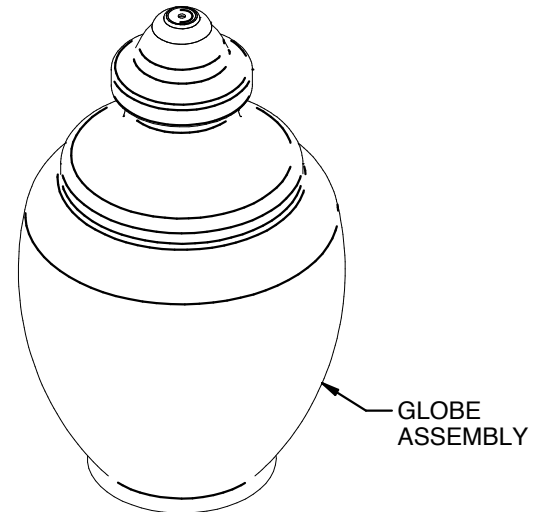


FIG. 1-1

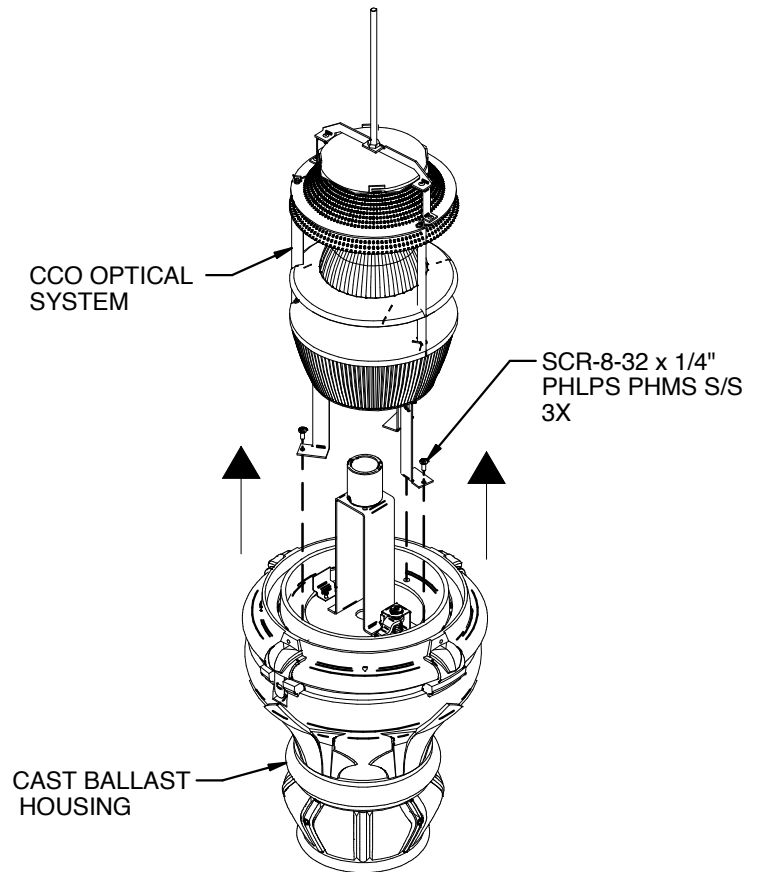
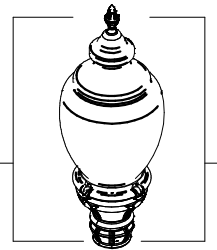


FIG. 1-2



Y-LED Upgrade Kit Installation Guide

Fixture: FGS™ Federal Globe Small Scale (FGS) For SAL Lens With CCO Optical System

2. REMOVE EXISTING BALLAST ASSEMBLY AND SOCKET ASSEMBLY

1. TILT CAST LID TO THE SIDE BY PULLING LATCH BACKWARD. (FIG. 2-1)
2. DISENGAGE QUICK-DISCONNECT AND PULL APART. (FIG. 2-1)
3. REMOVE SOCKET ASSEMBLY BY TURNING TURN-LATCH COUNTER CLOCKWISE. (FIG. 2-2)
4. REMOVE BALLAST ASSEMBLY. (FIG. 2-3)

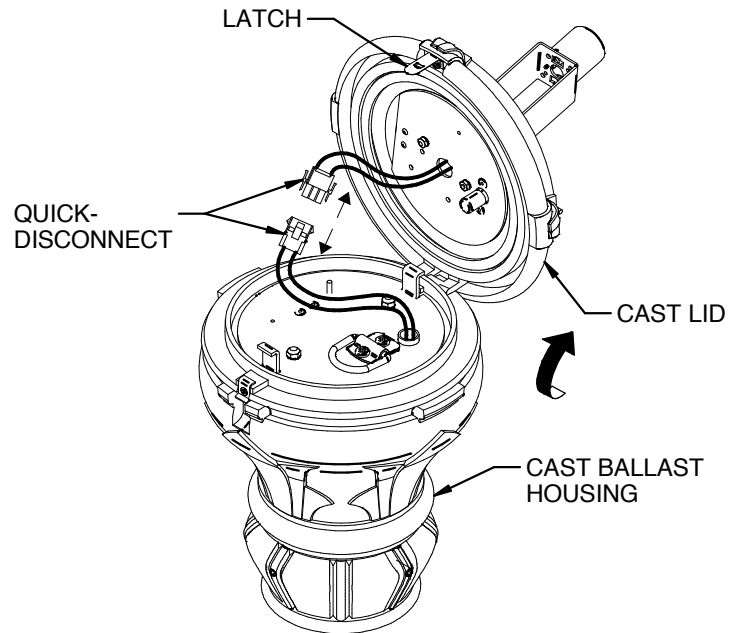


FIG. 2-1

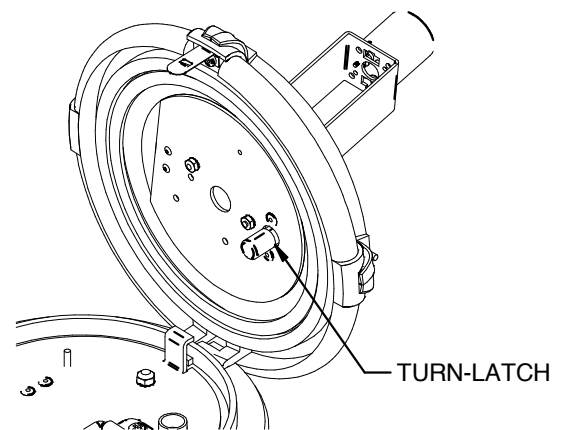


FIG. 2-2

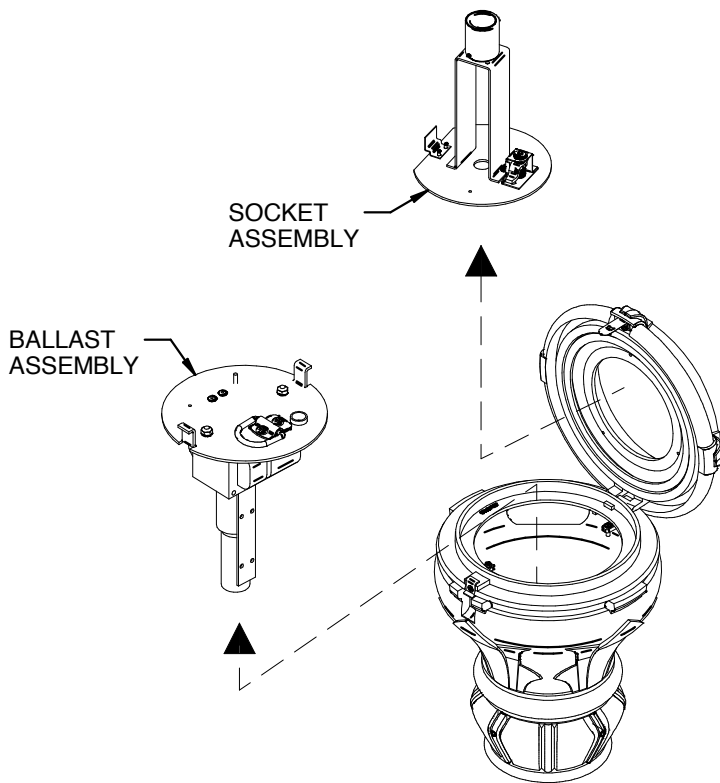
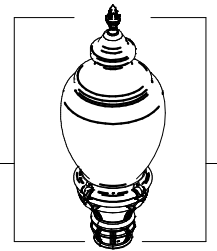


FIG. 2-3



Y-LED Upgrade Kit Installation Guide

Fixture: FGS™ Federal Globe Small Scale (FGS) For SAL Lens With CCO Optical System

3. INSTALLING 32-LED Y6 MODULE AND LENS

1. INSTALL Y-MODULE TO CAST LID **WITH ARROW ON MOUNTING PLATE POINTING TO LATCH ON CAST LID** USING PROVIDED 8-32 X 3/8" SCREWS. (FIG. 3-1)
ARROW DENOTE STREET SIDE.
2. PLACE GLOBE ASSEMBLY OVER CAST LID. (FIG. 3-2)
3. INSTALL GASKET AND FINIAL. (FIG. 3-2)
4. INSTALLATION COMPLETE. (FIG. 3-2)

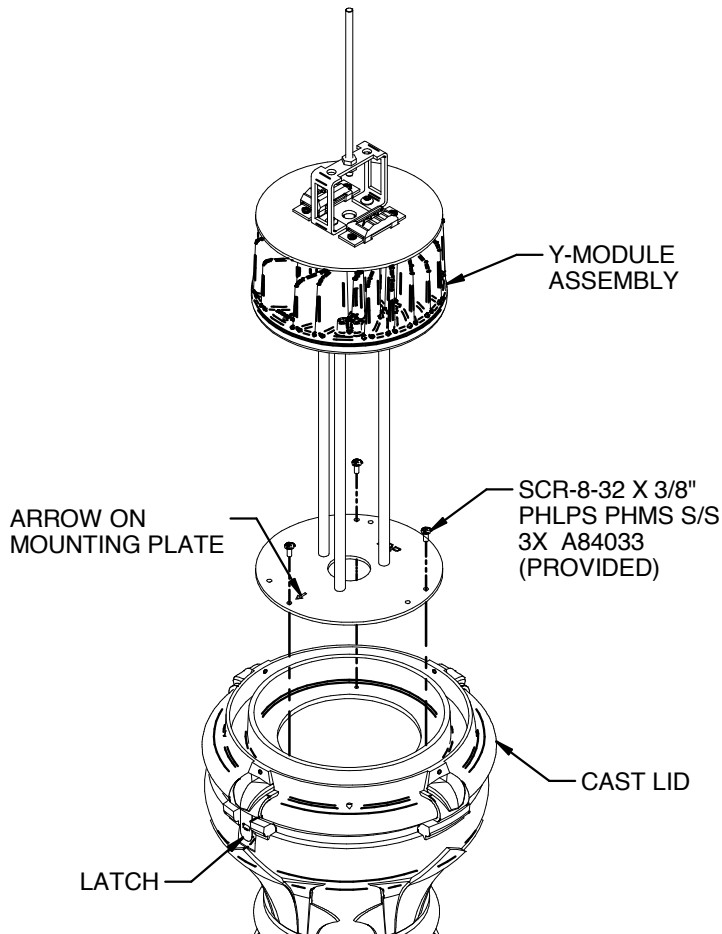


FIG. 3-1

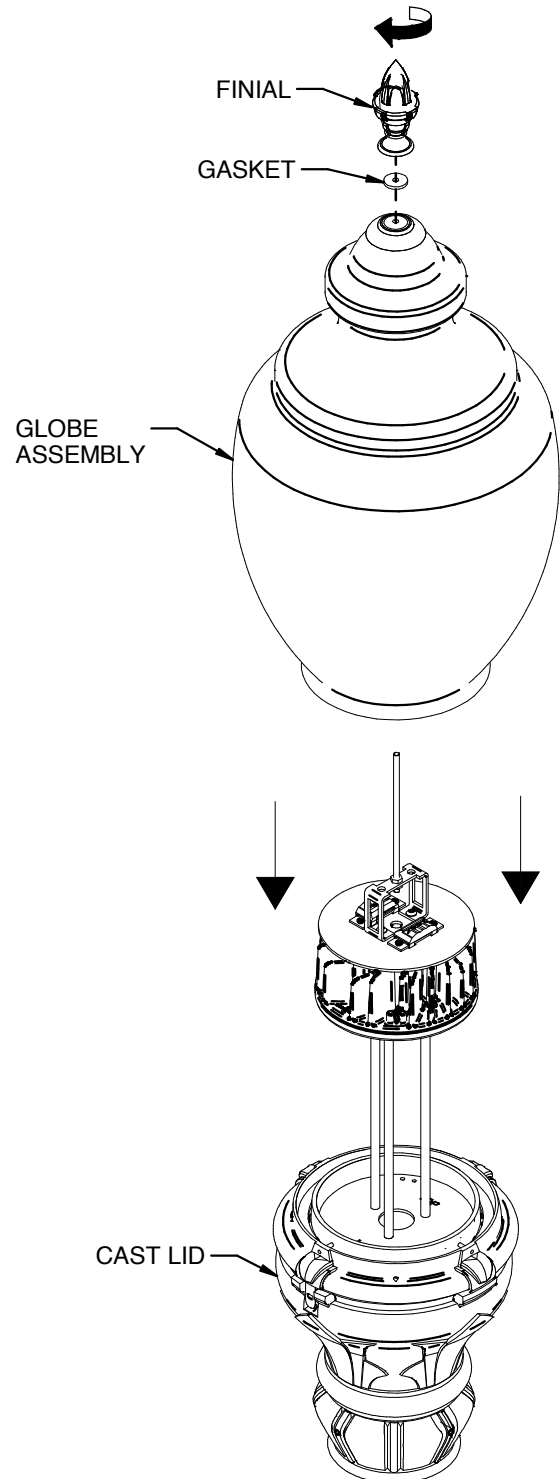
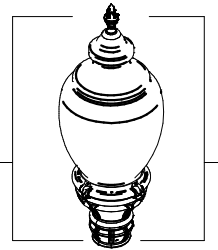


FIG. 3-2

93049777 REV. A

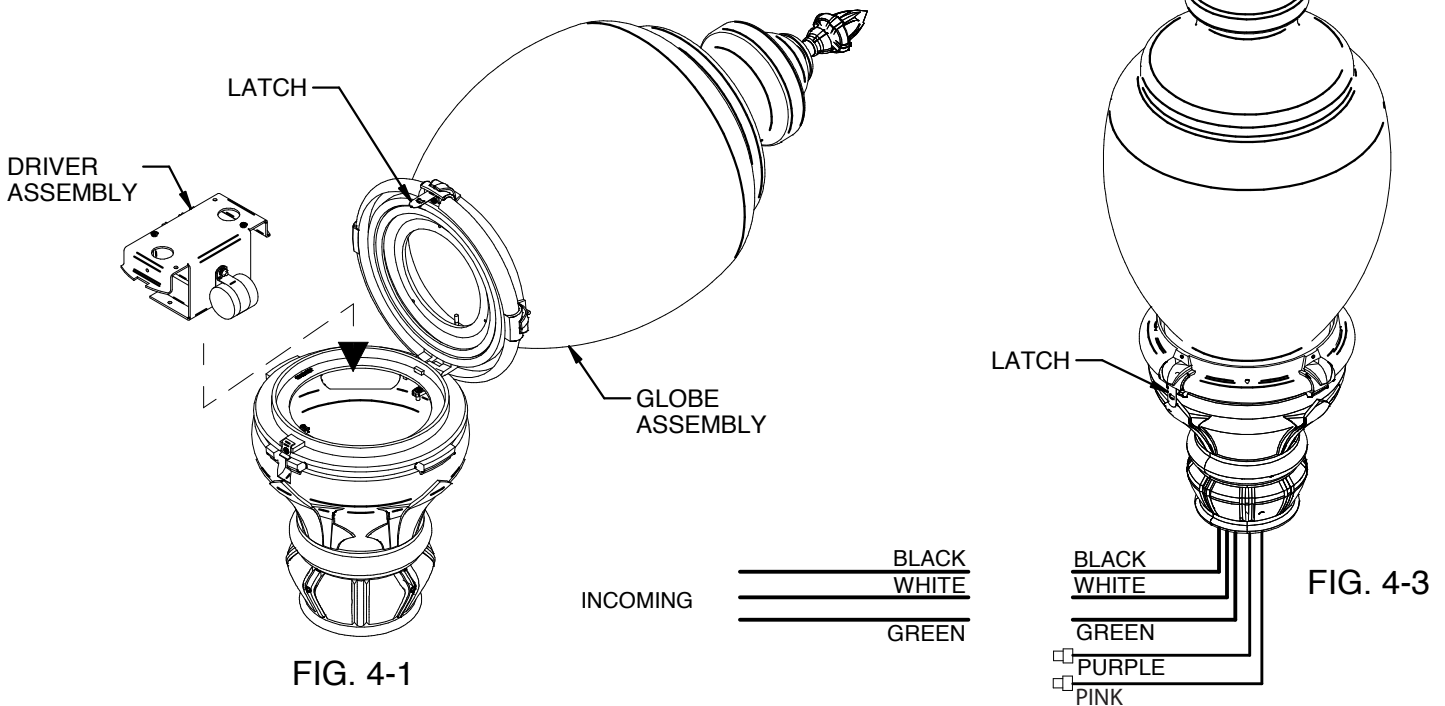
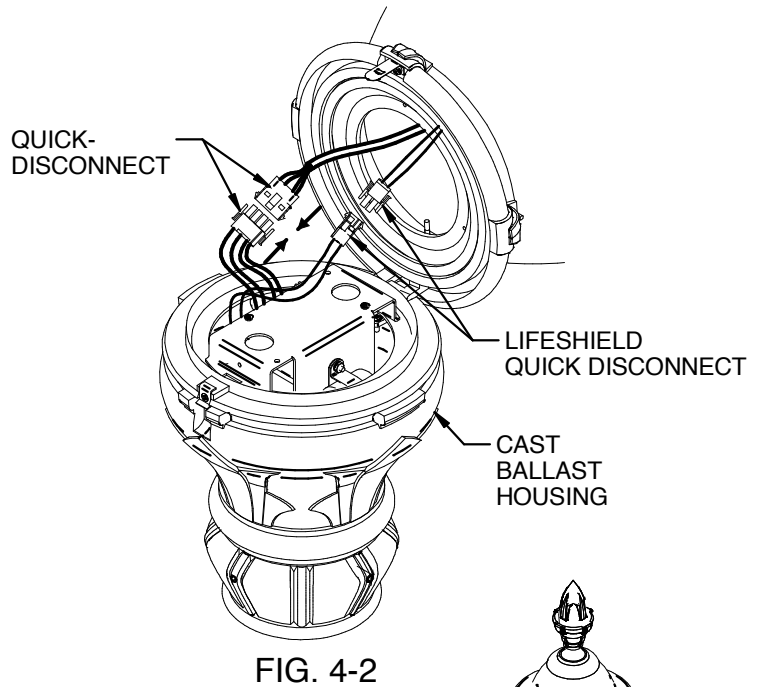


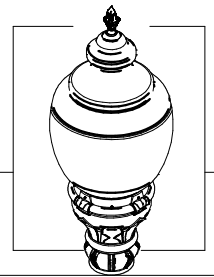
Y-LED Upgrade Kit Installation Guide

Fixture: FGS™ Federal Globe Small Scale (FGS) For SAL Lens With CCO Optical System

4. INSTALLING DRIVER ASSEMBLY

1. TILT GLOBE ASSEMBLY TO THE SIDE BY PULLING LATCH BACKWARD. (FIG. 4-1)
2. INSTALL DRIVER ASSY. (FIG. 4-1)
3. MAKE WIRE CONNECTIONS BY CONNECTING QUICK DISCONNECT FROM DRIVER ASSY TO SOCKET ASSY AND LIFESHIELD QUICK DISCONNECT. (FIG. 4-2)
4. CLOSE FIXTURE, ENSURE LATCH SNAPS BACK TO ITS ORIGINAL POSITION. (FIG. 4-3)
5. MAKE WIRE CONNECTIONS FROM INCOMING TO DRIVER ASSY: WHITE TO WHITE, BLACK TO BLACK AND GREEN TO GREEN. (FIG. 4-3)
6. INSTALLATION COMPLETE.





Y-LED Upgrade Kit Installation Guide

Fixture: FGL - Federal Globe Large Scale (FGL) - For SLG/PA3/PA5 Lens

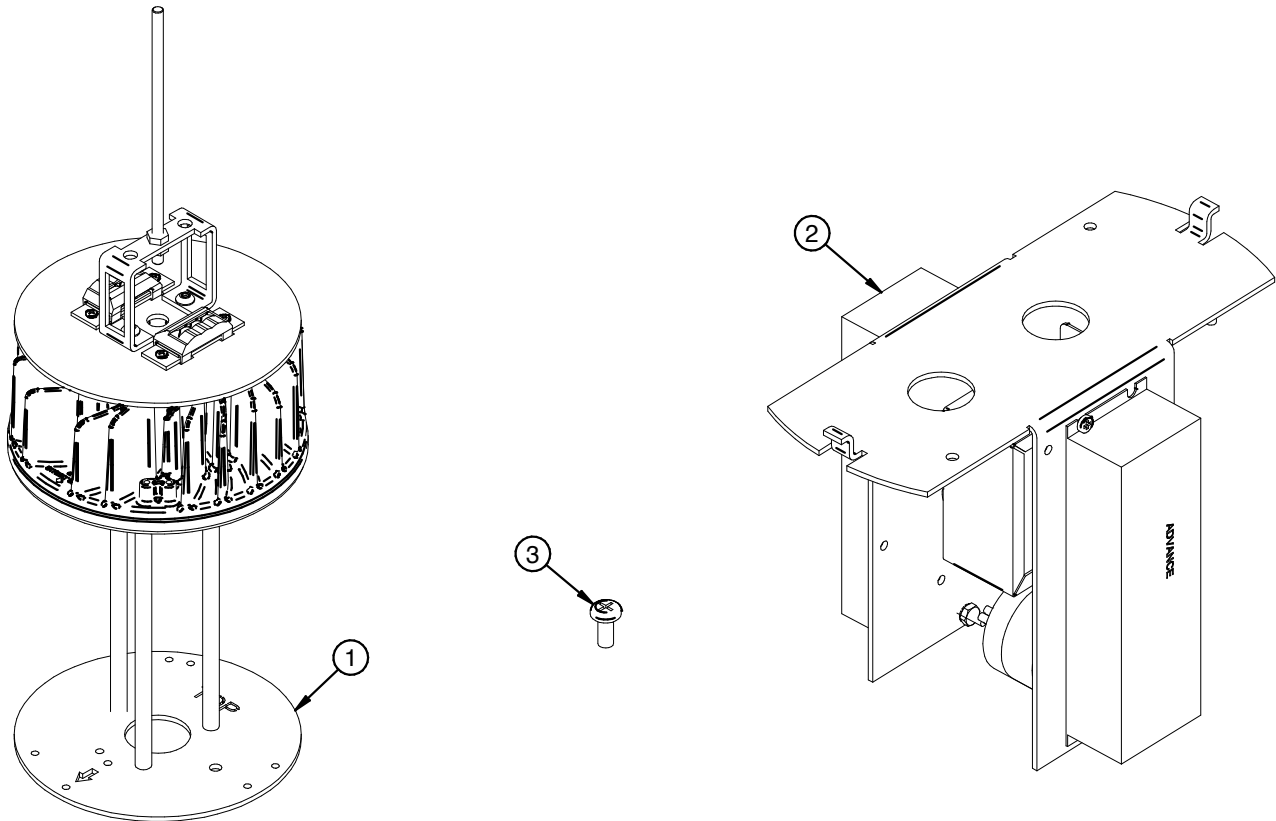


WARNING: Fixtures must be grounded in accordance with local codes or the National Electrical Code. Failure to do so may result in serious personal injury.

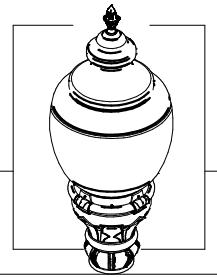
MAINTENANCE: A regularly scheduled maintenance program should be established to retain optimum light output and reduce heat retention. Dusting with a soft, clean, dry cloth is normally sufficient for the optics.

CAUTION: All wiring must be done by a qualified electrician. KEEP THIS SHEET FOR FUTURE REFERENCE.

UPGRADE KIT CONTENTS




PARTS LIST			
ITEM #	QTY	PART #	DESCRIPTION
1	1	93049782	RETROFIT KIT Y-LED FGL SLG-PA3-PA5 LENS
2	1	93049772	RETROFIT KIT Y-LED FGL DRIVER ASSY
3	3	A84033	SCR-8-32 x 3/8" PHLPS PHMS S/S



Y-LED Upgrade Kit Installation Guide

Fixture: FGL - Federal Globe Large Scale (FGL) - For SLG/PA3/PA5 Lens

1. REMOVE EXISTING REFLECTOR ASSEMBLY

 **TURN OFF ALL POWER TO THE UNIT AND TAKE PROPER SAFETY PRECAUTION. FAILURE TO DO SO MAY RESULT IN SERIOUS PERSONAL INJURY.**

1. REMOVE FINIAL BY TURNING IT COUNTER CLOCKWISE. (FIG. 1-1)
2. REMOVE GASKET AND TOP LENS ASSEMBLY. DO NOT DISCARD. (FIG. 1-1)
3. WITH A PHILLIPS HEAD SCREW DRIVER REACH INSIDE THE REFLECTOR FROM THE TOP AND LOOSEN THE THREE SCREWS. ROTATE THE STACK REFLECTOR AND REMOVE FROM CAST LID. (FIG. 1-2)

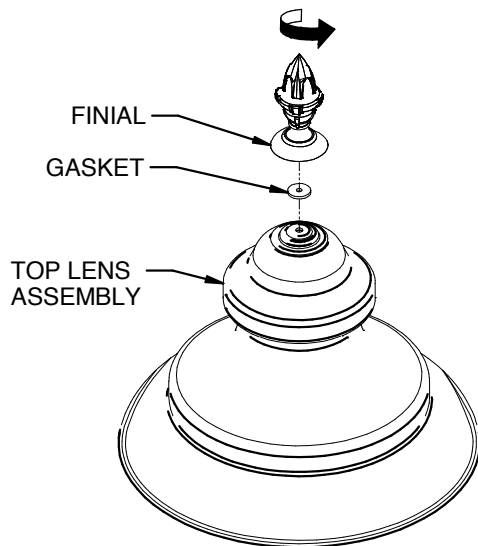


FIG. 1-1

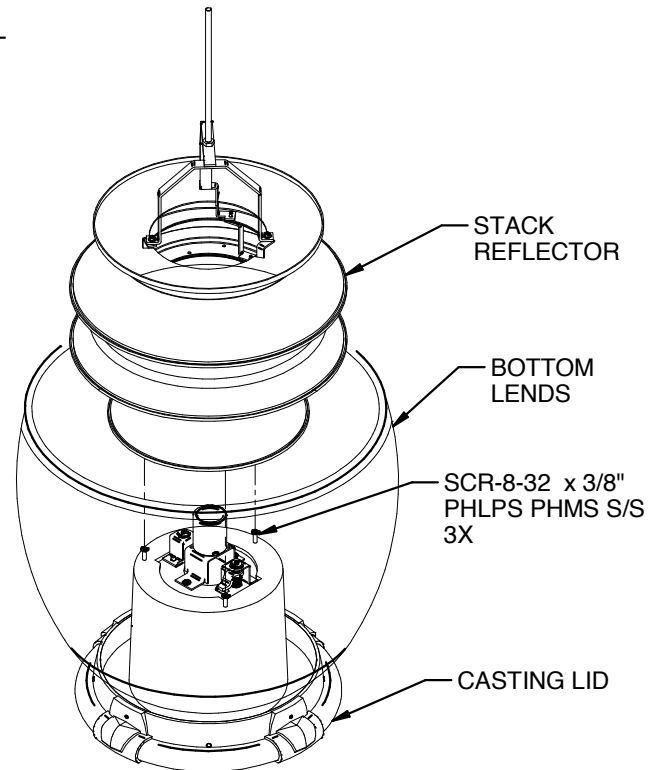
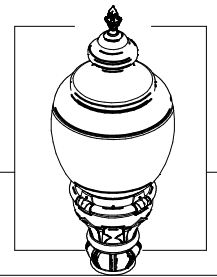


FIG. 1-2



Y-LED Upgrade Kit Installation Guide

Fixture: FGL - Federal Globe Large Scale (FGL) - For SLG/PA3/PA5 Lens

2. REMOVE EXISTING BALLAST ASSEMBLY AND SOCKET ASSEMBLY

1. TILT CAST LID TO THE SIDE BY PULLING LATCH BACKWARD. (FIG. 2-1)
2. DISENGAGE QUICK-DISCONNECT AND PULL APART. (FIG. 2-1)
3. REMOVE SOCKET ASSEMBLY BY TURNING TURN-LATCH COUNTER CLOCKWISE. (FIG. 2-2)
4. REMOVE BALLAST ASSEMBLY. (FIG. 2-3)

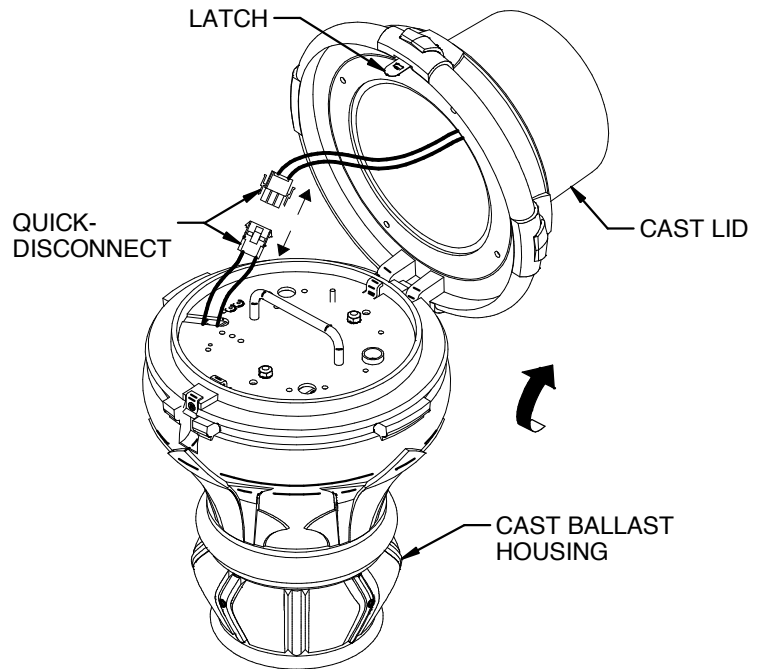


FIG. 2-1

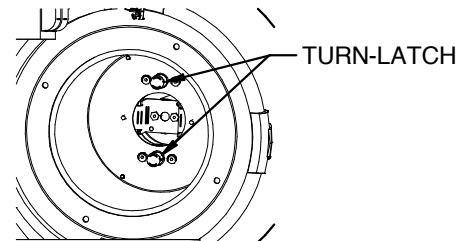
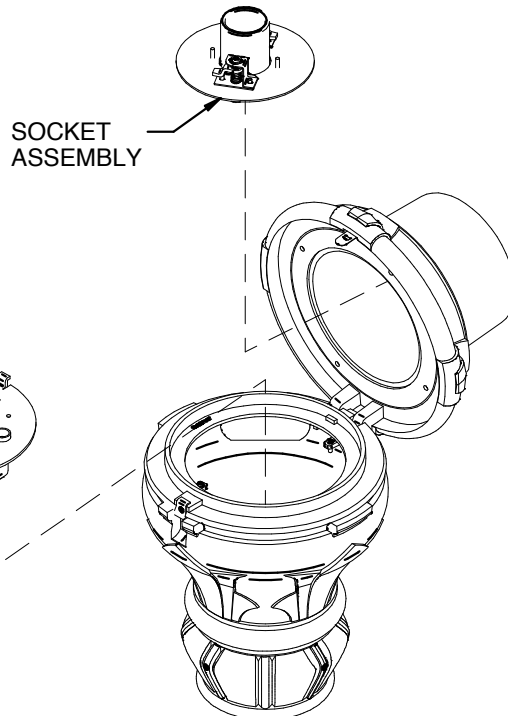


FIG. 2-2

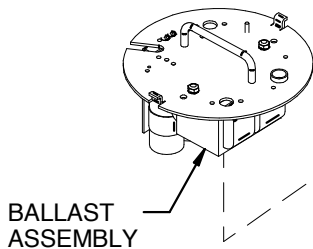
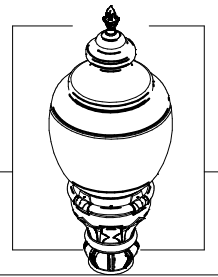


FIG. 2-3



Y-LED Upgrade Kit Installation Guide

Fixture: FGL - Federal Globe Large Scale (FGL) - For SLG/PA3/PA5 Lens

3. INSTALLING 32-LED Y6 MODULE AND LENS

1. INSTALL Y-MODULE TO CAST LID **WITH ARROW ON MOUNTING PLATE POINTING TO LATCH ON CAST LID** USING PROVIDED 8-32 X 3/8" SCREWS. (FIG. 3-1)
ARROW DENOTE STREET SIDE.
2. PLACE TOP LENS ASSEMBLY OVER BOTTOM LENS. (FIG. 3-2)
3. INSTALL GASKET AND FINIAL. (FIG. 3-2)
4. INSTALLATION COMPLETE. (FIG. 3-2)

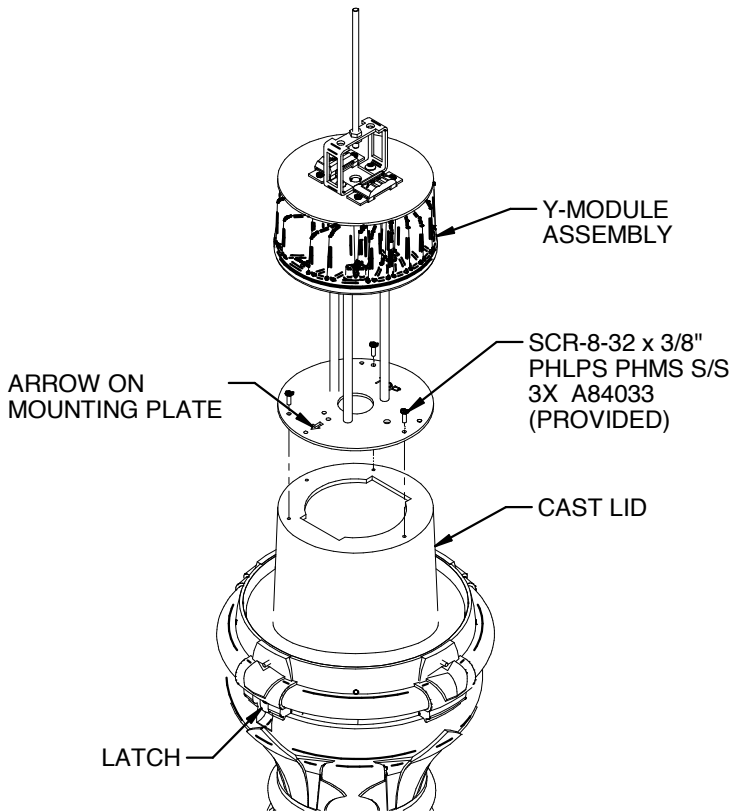


FIG. 3-1

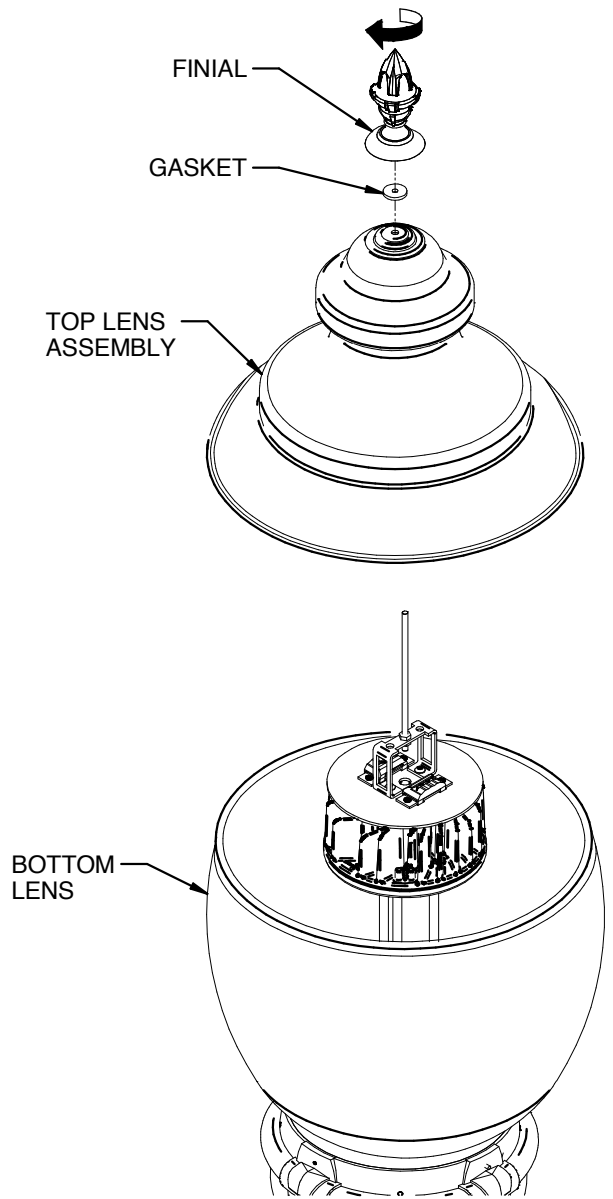
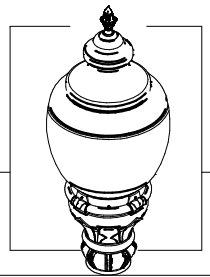


FIG. 3-2



Y-LED Upgrade Kit Installation Guide

Fixture: FGL - Federal Globe Large Scale (FGL) - For SLG/PA3/PA5 Lens

4. INSTALLING DRIVER ASSEMBLY

1. TILT GLOBE ASSEMBLY TO THE SIDE BY PULLING LATCH BACKWARD. (FIG 4-1)
2. INSTALL DRIVER ASSY. (FIG. 4-1)
3. MAKE WIRE CONNECTIONS BY CONNECTING QUICK DISCONNECT FROM DRIVER ASSY TO SOCKET ASSY AND LIFESHIELD QUICK DISCONNECT. (FIG. 4-2)
3. CLOSE FIXTURE, ENSURE LATCH SNAPS BACK TO ITS ORIGINAL POSITION. (FIG. 4-3)
4. MAKE WIRE CONNECTION FROM INCOMING TO DRIVER ASSY AS FOLLOWS: WHITE TO WHITE, BLACK TO BLACK AND GREEN TO GREEN. (FIG. 4-3)
5. INSTALLATION COMPLETE.

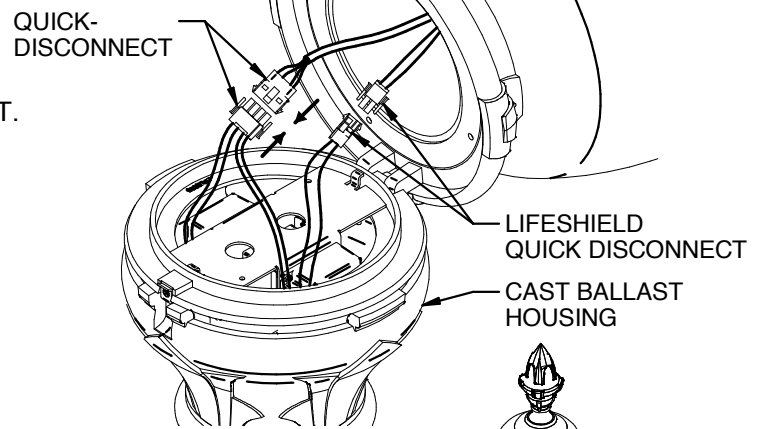


FIG. 4-2

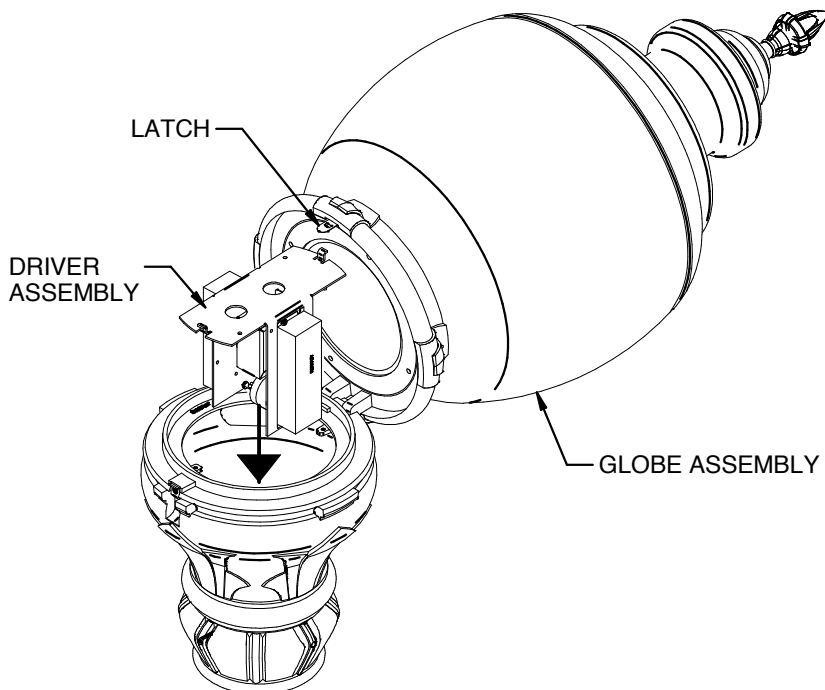


FIG. 4-1

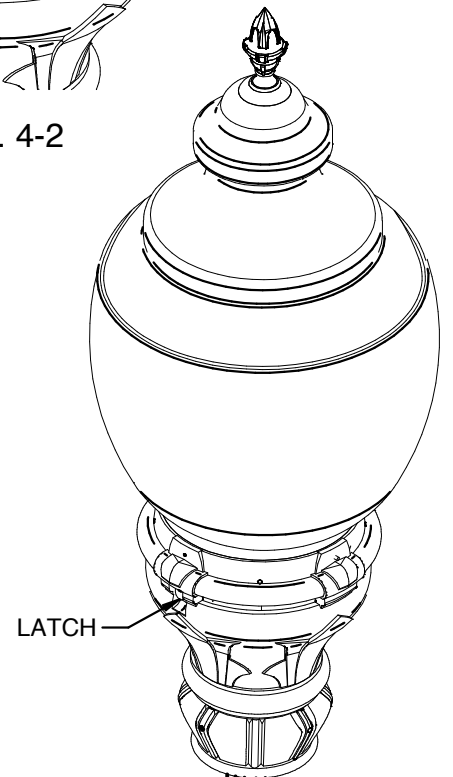
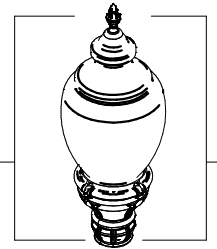


FIG. 4-3

INCOMING

_____	BLACK
_____	WHITE
_____	GREEN

_____	BLACK
_____	WHITE
_____	GREEN
□ _____	PURPLE
□ _____	PINK



Y-LED Upgrade Kit Installation Guide

Fixture: FGS™ Federal Globe Small Scale (FGS) FOR SAL LENS FOR GR3/ GR5/ BLO

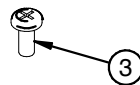
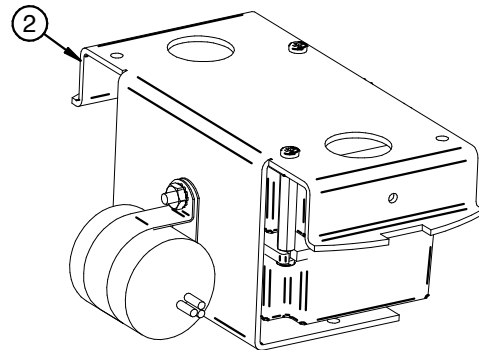
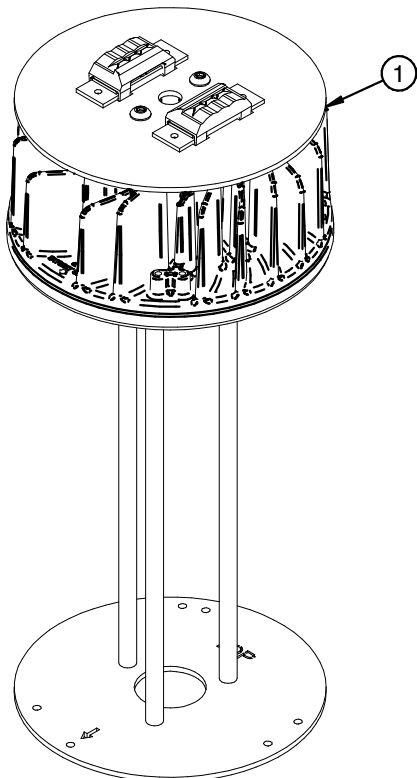


WARNING: Fixtures must be grounded in accordance with local codes or the National Electrical Code. Failure to do so may result in serious personal injury.

MAINTENANCE: A regularly scheduled maintenance program should be established to retain optimum light output and reduce heat retention. Dusting with a soft, clean, dry cloth is normally sufficient for the optics.

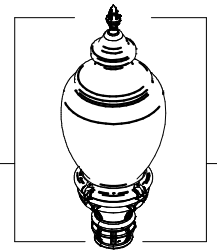
CAUTION: All wiring must be done by a qualified electrician. KEEP THIS SHEET FOR FUTURE REFERENCE.

UPGRADE KIT CONTENTS



PARTS LIST

ITEM #	QTY	PART #	DESCRIPTION
1	1	93049900	RETROFIT KIT Y-LED FGS SAL LENS
2	1	93049901	RETROFIT KIT Y-LED FGS DRIVER ASSY
3	3	A84033	SCR-8-32 x 3/8" PHLPS PHMS S/S



Y-LED Upgrade Kit Installation Guide

Fixture: FGS™ Federal Globe Small Scale (FGS) FOR SAL LENS FOR GR3/ GR5/ BLO

1. REMOVE LENS

⚠️ TURN OFF ALL POWER TO THE UNIT AND TAKE PROPER SAFETY PRECAUTION. FAILURE TO DO SO MAY RESULT IN SERIOUS PERSONAL INJURY.

1. REMOVE GLOBE ASSEMBLY BY LOOSEN FOUR SET SCREWS. (FIG. 1-1)
2. IF GR3/GR5 OPTION IS PRESENT, REMOVE BY REMOVING TWO 8-32 x 1/4" SCREWS. (FIG. 1-2)

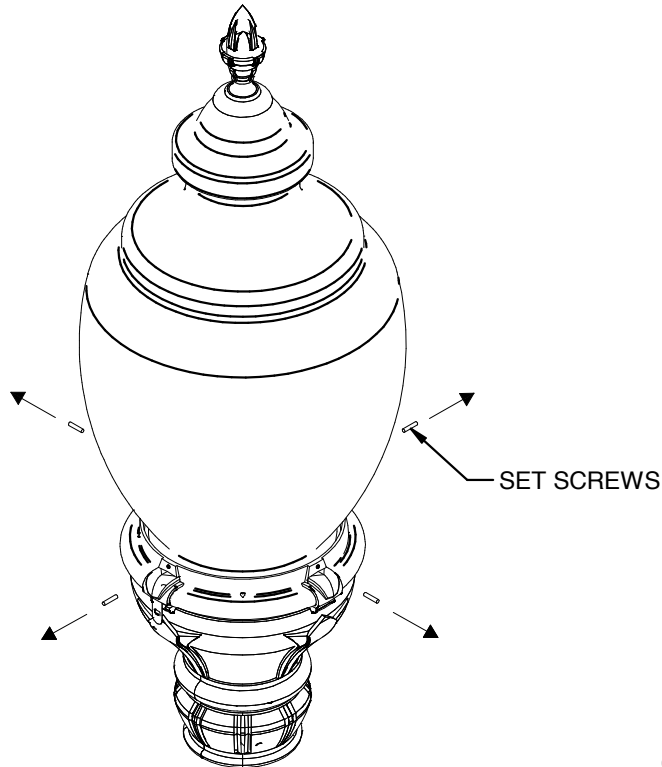


FIG. 1-1

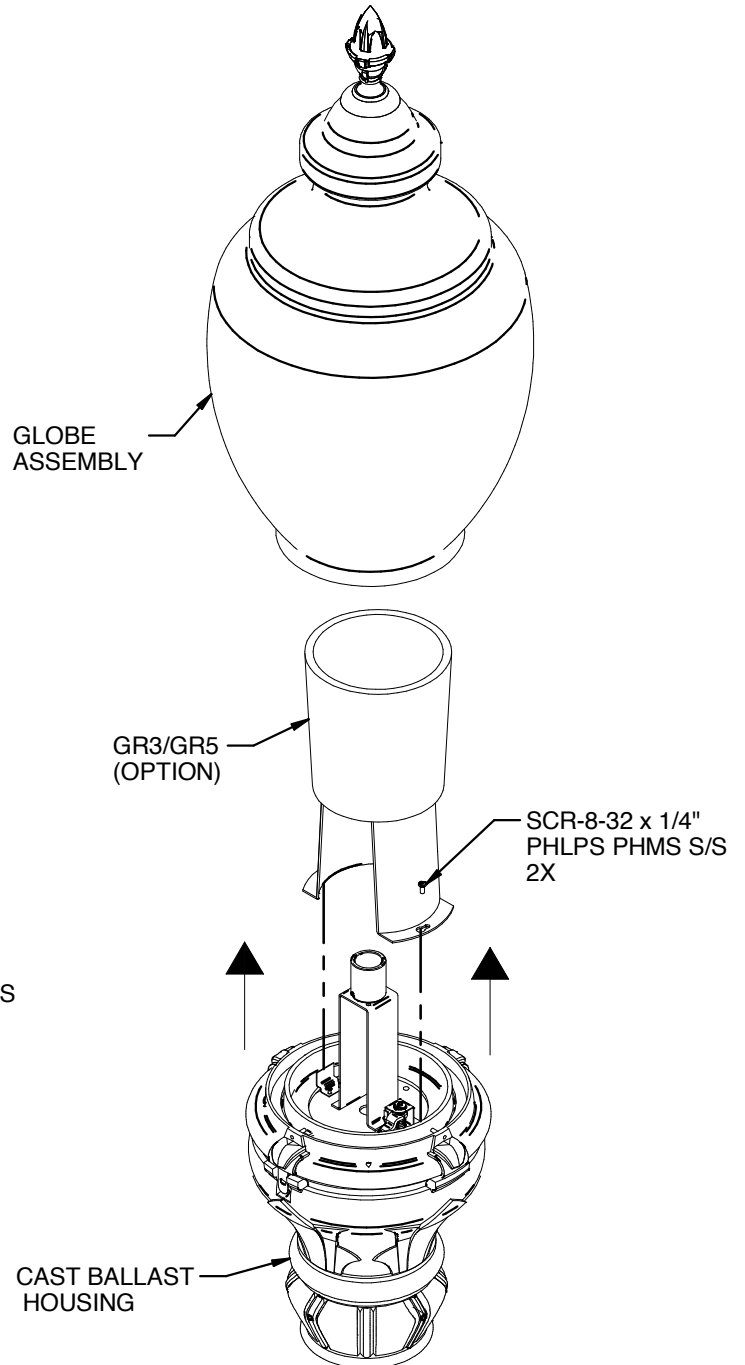
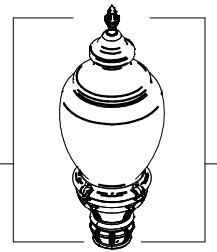


FIG. 1-2



Y-LED Upgrade Kit Installation Guide

Fixture: FGS™ Federal Globe Small Scale (FGS) FOR SAL LENS FOR GR3/ GR5/ BLO

2. REMOVE EXISTING BALLAST ASSEMBLY AND SOCKET ASSEMBLY

1. TILT CAST LID TO THE SIDE BY PULLING LATCH BACKWARD. (FIG. 2-1)
2. DISENGAGE QUICK-DISCONNECT AND PULL APART. (FIG. 2-1)
3. REMOVE SOCKET ASSEMBLY BY TURNING TURN-LATCH COUNTER CLOCKWISE. (FIG. 2-2)
4. REMOVE BALLAST ASSEMBLY. (FIG. 2-3)

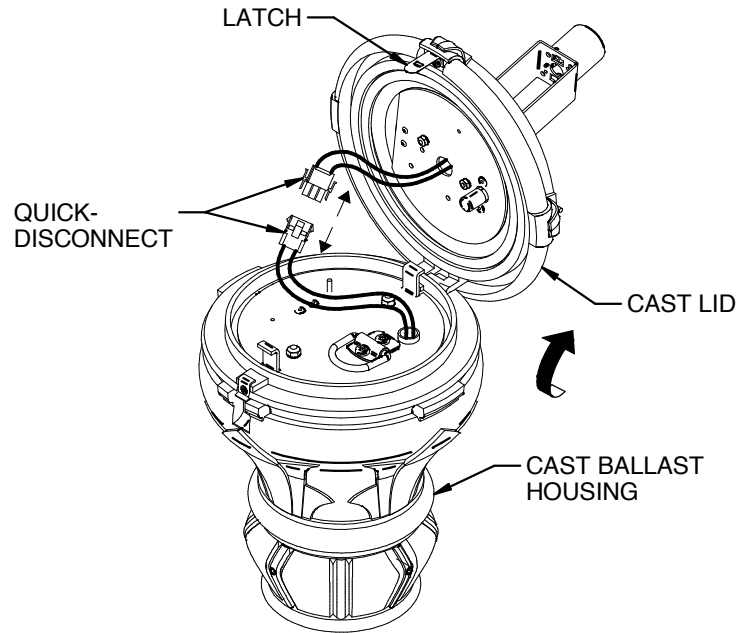


FIG. 2-1

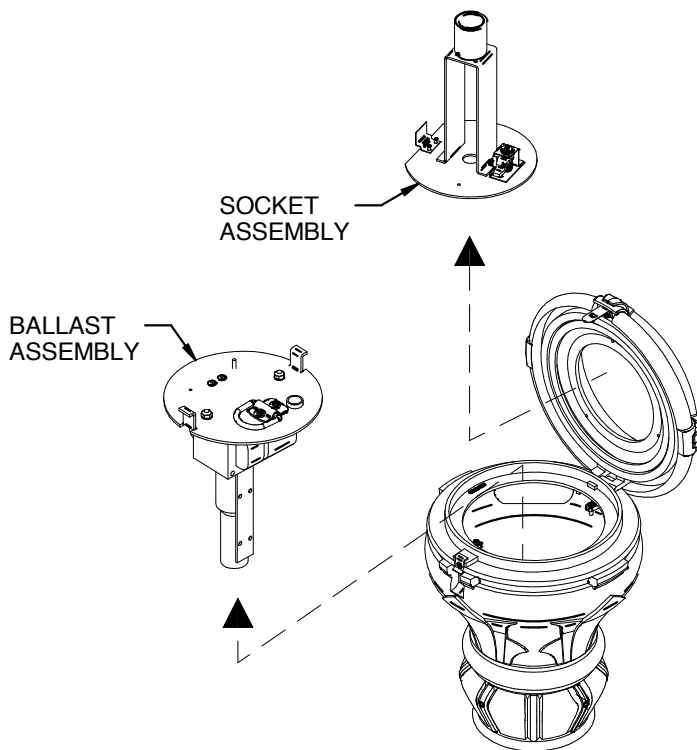


FIG. 2-3

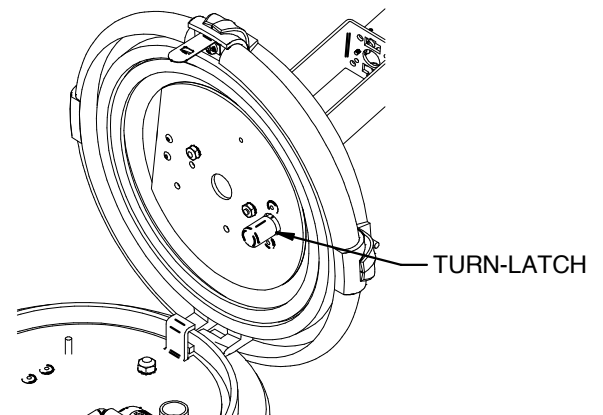
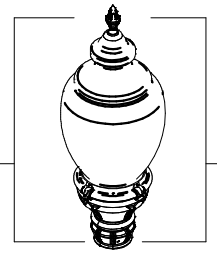


FIG. 2-2



Y-LED Upgrade Kit Installation Guide

Fixture: FGS™- Federal Globe Small Scale (FGS) FOR SAL LENS FOR GR3/ GR5/ BLO

3. INSTALLING 32-LED Y6 MODULE AND LENS

1. INSTALL Y-MODULE TO CAST LID **WITH** **ARROW ON MOUNTING PLATE POINTING TO LATCH ON CAST LID** USING PROVIDED 8-32 X 3/8" SCREWS. (FIG. 3-1) **ARROW DENOTE STREET SIDE.**
2. PLACE GLOBE ASSEMBLY OVER CAST LID AND SECURE WITH FOUR SET SCREWS. (FIG. 3-2)

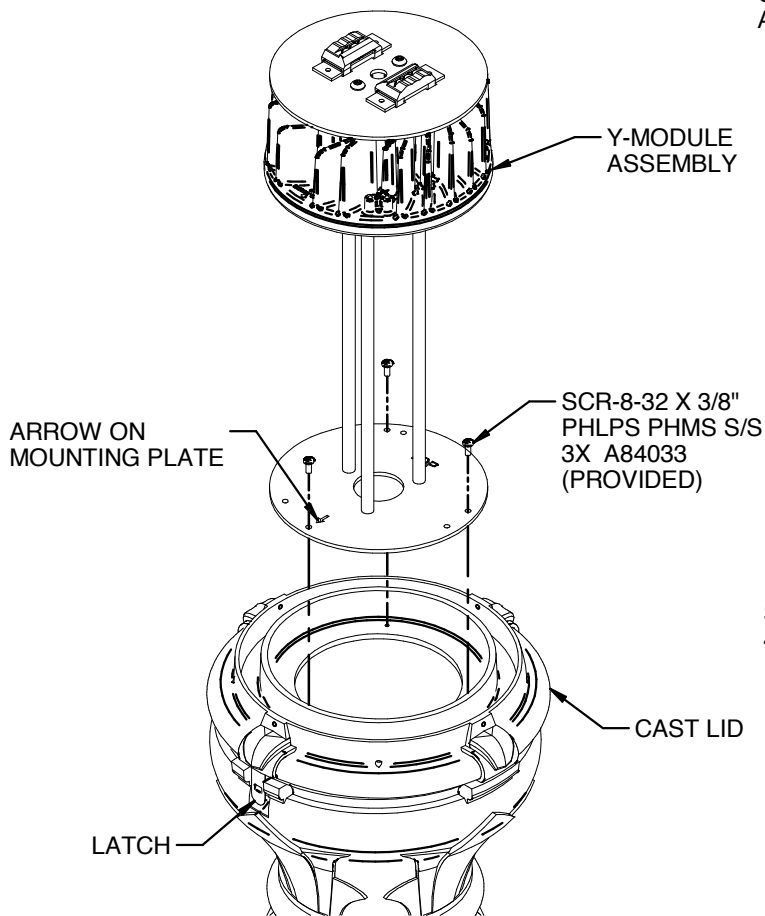


FIG. 3-1

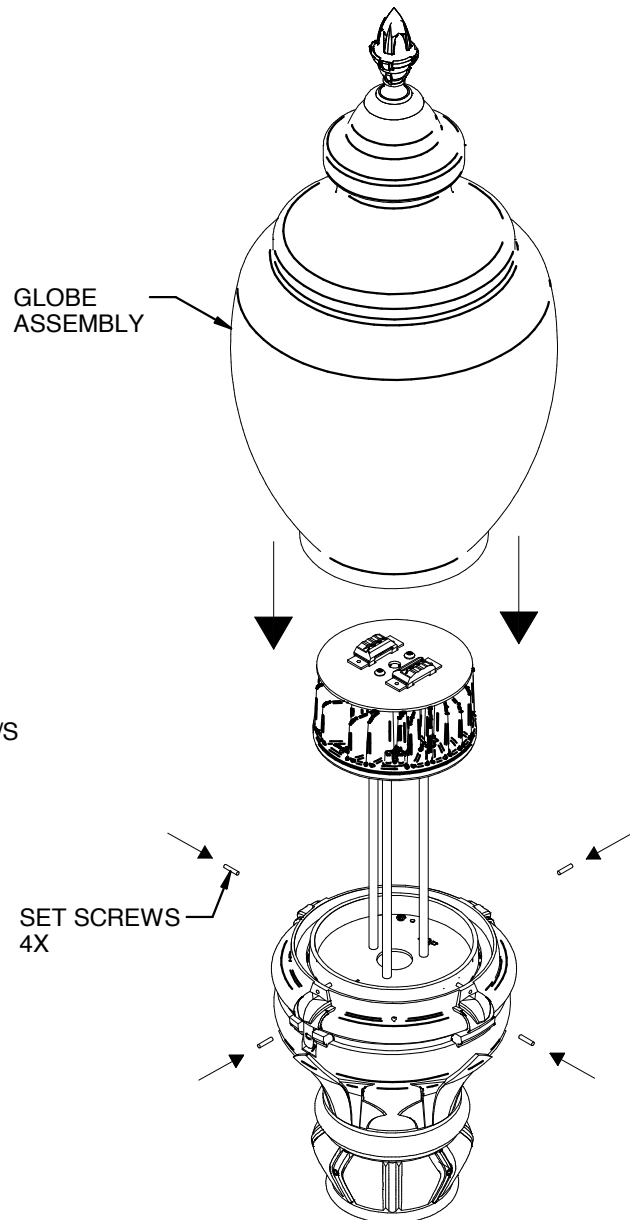
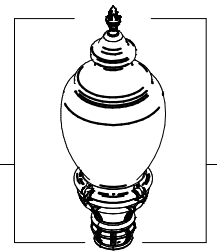


FIG. 3-2



Y-LED Upgrade Kit Installation Guide

Fixture: FGS™ Federal Globe Small Scale (FGS) FOR SAL LENS FOR GR3/ GR5/ BLO

4. INSTALLING DRIVER ASSEMBLY

1. TILT GLOBE ASSEMBLY TO THE SIDE BY PULLING LATCH BACKWARD. (FIG. 4-1)
2. INSTALL DRIVER ASSY. (FIG. 4-1)
3. MAKE WIRE CONNECTIONS BY CONNECTING QUICK DISCONNECT FROM DRIVER ASSY TO SOCKET ASSY AND LIFESHIELD QUICK DISCONNECT. (FIG. 4-2)
4. CLOSE FIXTURE, ENSURE LATCH SNAPS BACK TO ITS ORIGINAL POSITION. (FIG. 4-3)
5. MAKE WIRE CONNECTIONS FROM INCOMING TO DRIVER ASSY: WHITE TO WHITE, BLACK TO BLACK AND GREEN TO GREEN. (FIG. 4-3)
6. INSTALLATION COMPLETE.

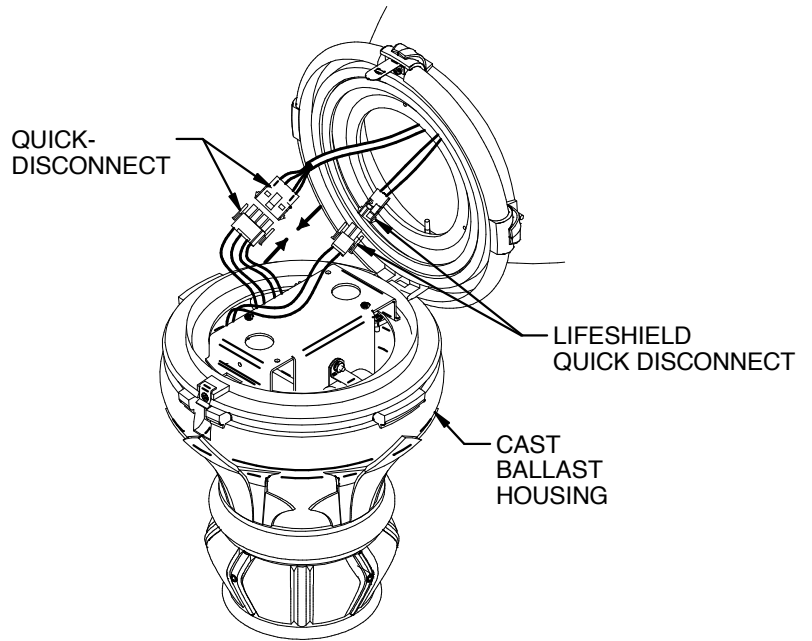


FIG. 4-2

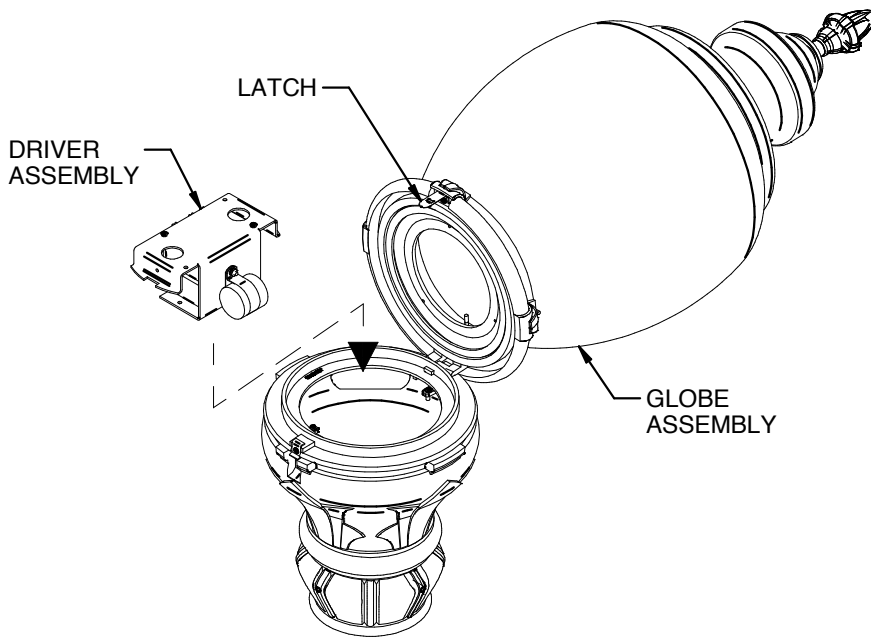


FIG. 4-1

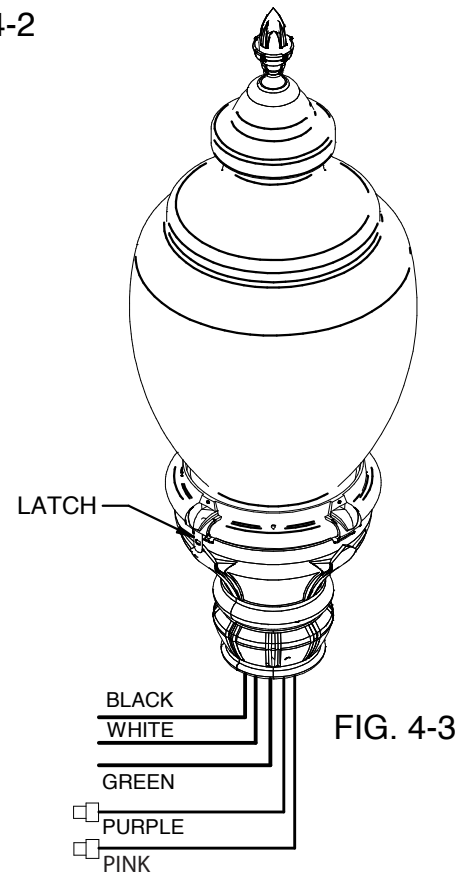
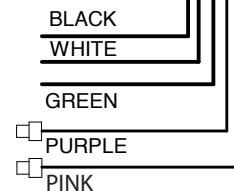
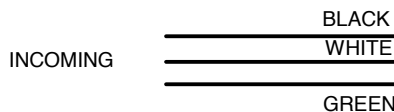


FIG. 4-3

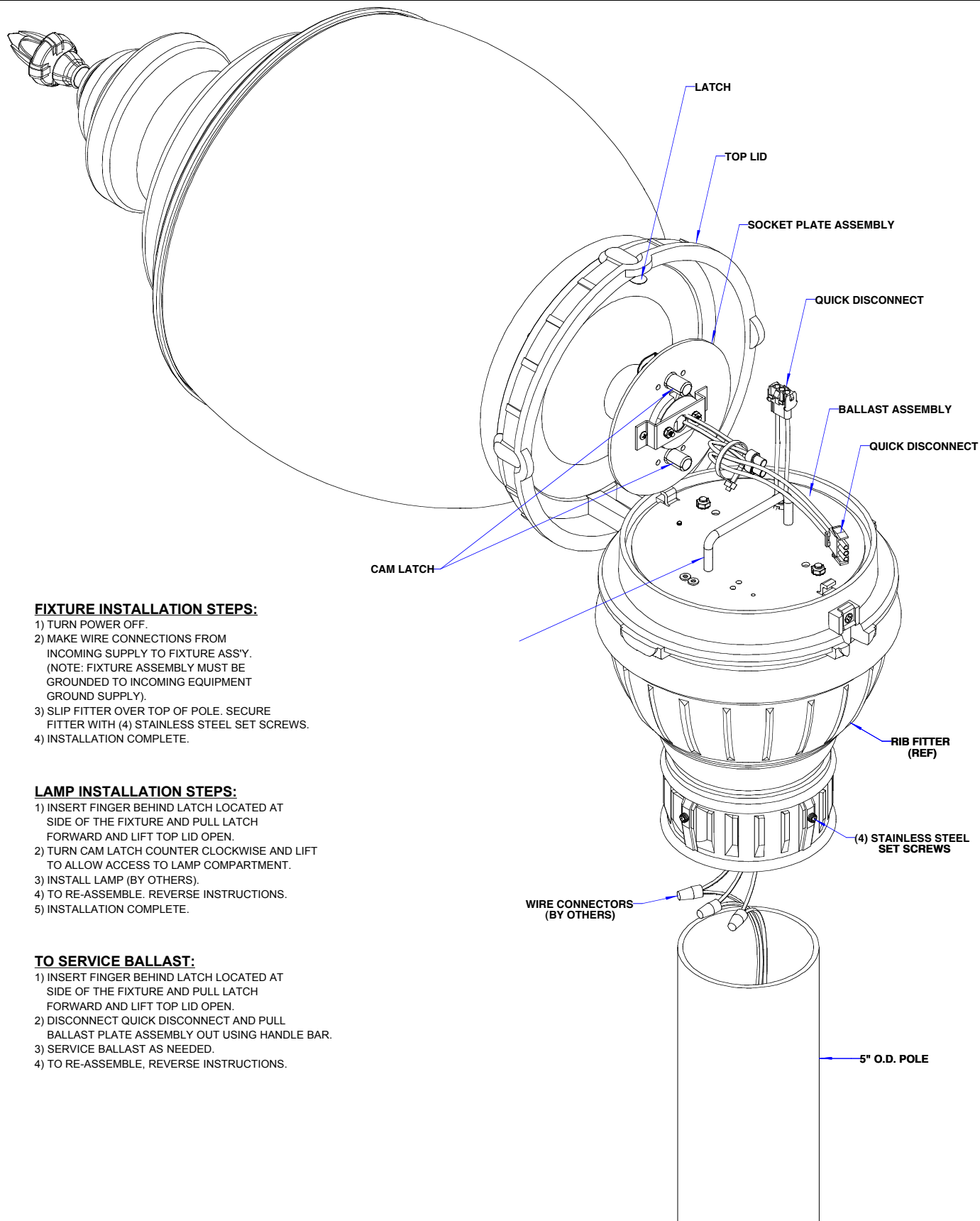


93049777 REV. A

INSTALLATION INSTRUCTIONS

CATALOG NUMBER

FGL



FIXTURE INSTALLATION STEPS:

- 1) TURN POWER OFF.
- 2) MAKE WIRE CONNECTIONS FROM INCOMING SUPPLY TO FIXTURE ASS'Y. (NOTE: FIXTURE ASSEMBLY MUST BE GROUNDED TO INCOMING EQUIPMENT GROUND SUPPLY).
- 3) SLIP FITTER OVER TOP OF POLE. SECURE FITTER WITH (4) STAINLESS STEEL SET SCREWS.
- 4) INSTALLATION COMPLETE.

LAMP INSTALLATION STEPS:

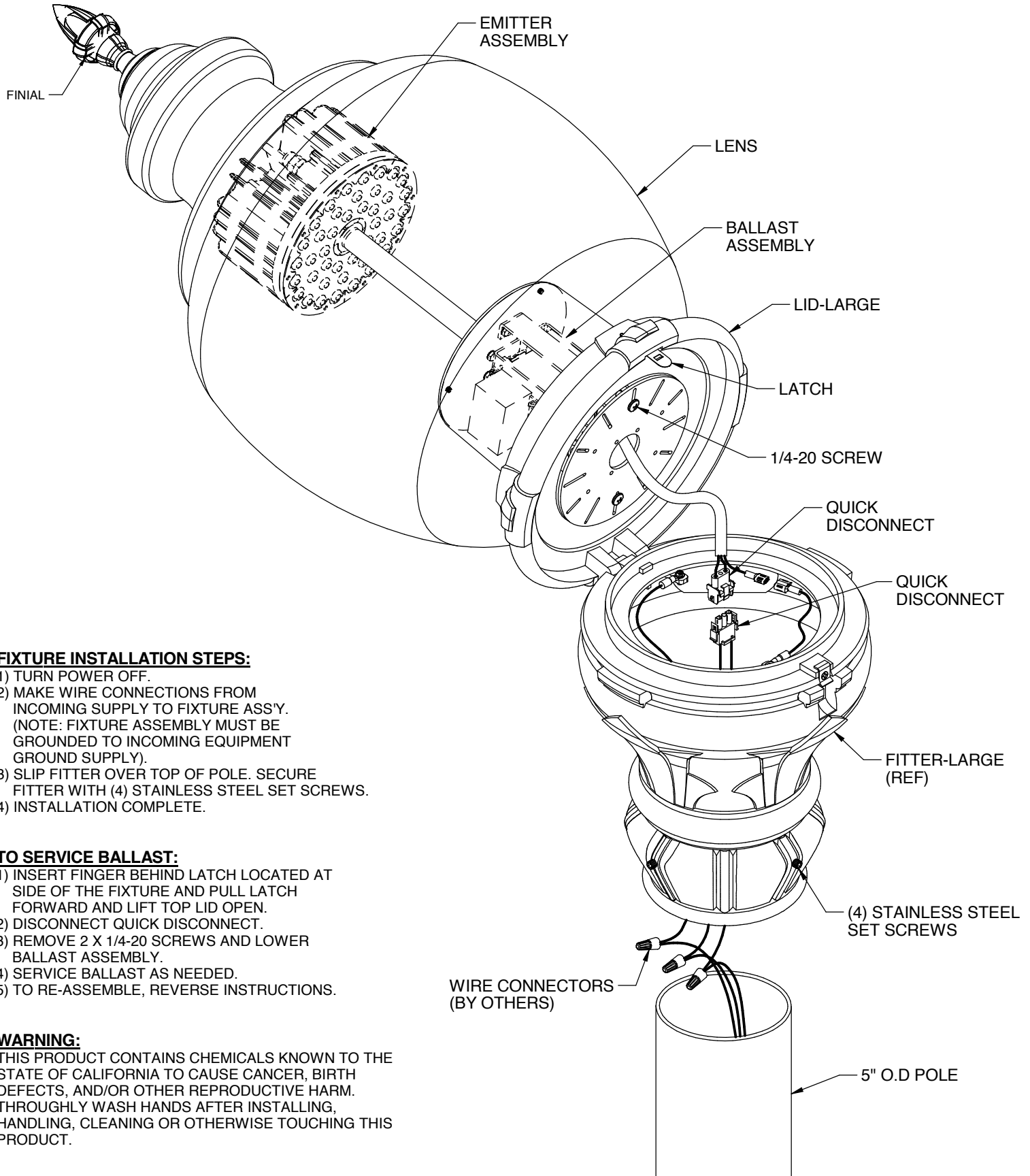
- 1) INSERT FINGER BEHIND LATCH LOCATED AT SIDE OF THE FIXTURE AND PULL LATCH FORWARD AND LIFT TOP LID OPEN.
- 2) TURN CAM LATCH COUNTER CLOCKWISE AND LIFT TO ALLOW ACCESS TO LAMP COMPARTMENT.
- 3) INSTALL LAMP (BY OTHERS).
- 4) TO RE-ASSEMBLE. REVERSE INSTRUCTIONS.
- 5) INSTALLATION COMPLETE.

TO SERVICE BALLAST:

- 1) INSERT FINGER BEHIND LATCH LOCATED AT SIDE OF THE FIXTURE AND PULL LATCH FORWARD AND LIFT TOP LID OPEN.
- 2) DISCONNECT QUICK DISCONNECT AND PULL BALLAST PLATE ASSEMBLY OUT USING HANDLE BAR.
- 3) SERVICE BALLAST AS NEEDED.
- 4) TO RE-ASSEMBLE, REVERSE INSTRUCTIONS.

INSTALLATION INSTRUCTIONS

CATALOG NUMBER
FGL-LED



FIXTURE INSTALLATION STEPS:

- 1) TURN POWER OFF.
- 2) MAKE WIRE CONNECTIONS FROM INCOMING SUPPLY TO FIXTURE ASS'Y. (NOTE: FIXTURE ASSEMBLY MUST BE GROUNDED TO INCOMING EQUIPMENT GROUND SUPPLY).
- 3) SLIP FITTER OVER TOP OF POLE. SECURE FITTER WITH (4) STAINLESS STEEL SET SCREWS.
- 4) INSTALLATION COMPLETE.

TO SERVICE BALLAST:

- 1) INSERT FINGER BEHIND LATCH LOCATED AT SIDE OF THE FIXTURE AND PULL LATCH FORWARD AND LIFT TOP LID OPEN.
- 2) DISCONNECT QUICK DISCONNECT.
- 3) REMOVE 2 X 1/4-20 SCREWS AND LOWER BALLAST ASSEMBLY.
- 4) SERVICE BALLAST AS NEEDED.
- 5) TO RE-ASSEMBLE, REVERSE INSTRUCTIONS.

WARNING:

THIS PRODUCT CONTAINS CHEMICALS KNOWN TO THE STATE OF CALIFORNIA TO CAUSE CANCER, BIRTH DEFECTS, AND/OR OTHER REPRODUCTIVE HARM. THOROUGHLY WASH HANDS AFTER INSTALLING, HANDLING, CLEANING OR OTHERWISE TOUCHING THIS PRODUCT.

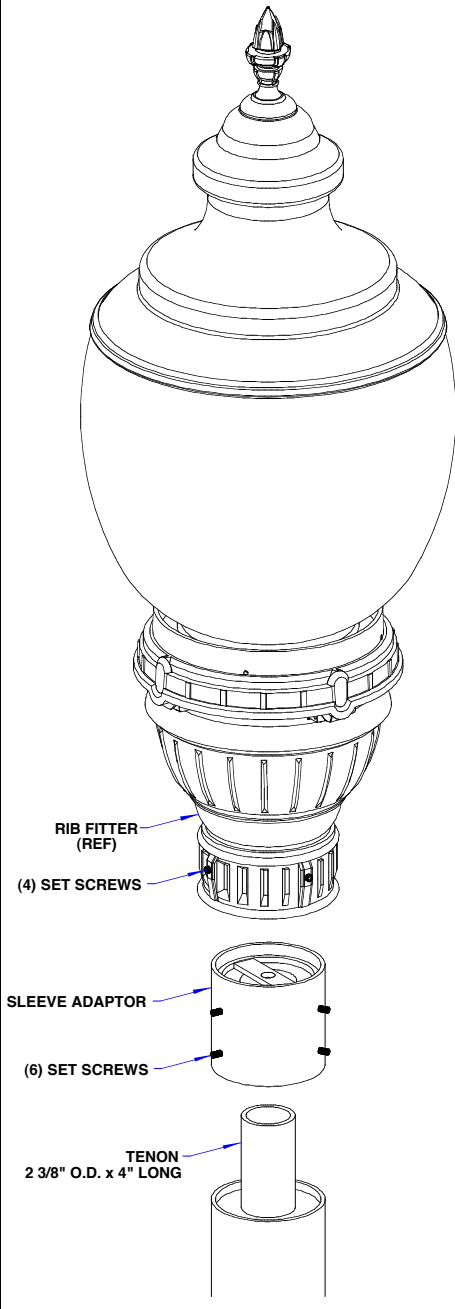
INSTALLATION INSTRUCTIONS

CATALOG NUMBER

FGL-TA23 / TA3 & TA4

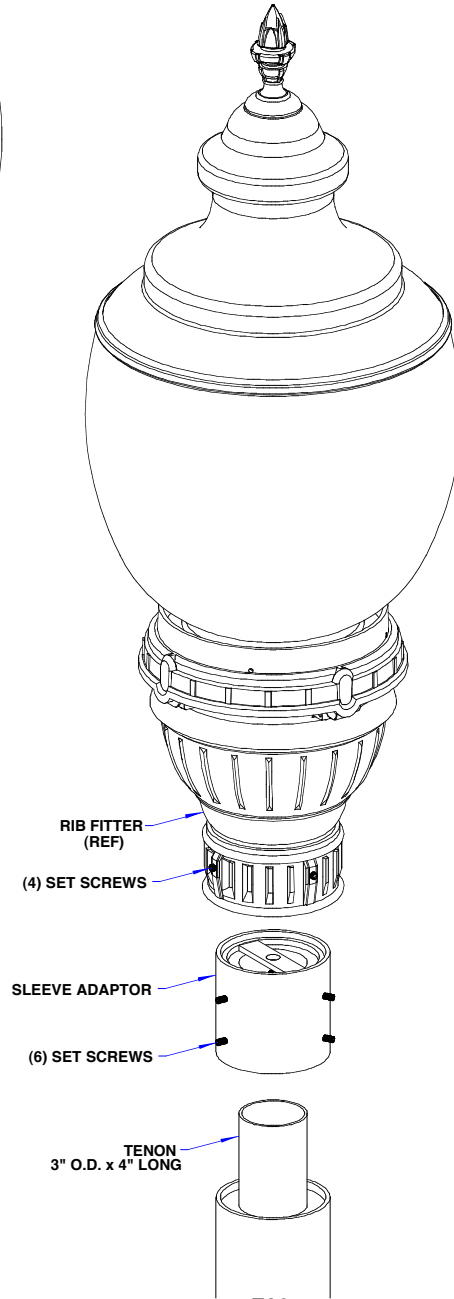
WARNING:

THIS PRODUCT CONTAINS CHEMICALS KNOWN TO THE STATE OF CALIFORNIA TO CAUSE CANCER, BIRTH DEFECTS, AND/OR OTHER REPRODUCTIVE HARM. THOROUGHLY WASH HANDS AFTER INSTALLING, HANDLING, CLEANING OR OTHERWISE TOUCHING THIS PRODUCT.



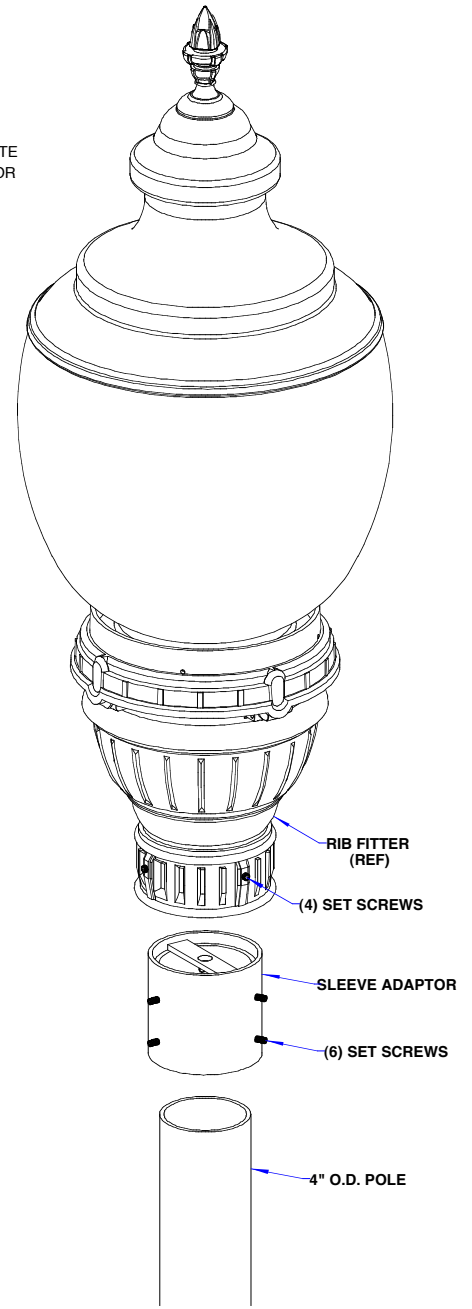
TA23

- 1) SLIP ADAPTOR OVER TENON AND SECURE WITH (6) SET SCREWS.
- 2) SECURE FIXTURE OVER ADAPTOR AND SECURE WITH (4) SET SCREWS.
- 3) INSTALLATION COMPLETE.



TA3

- 1) SLIP ADAPTOR OVER POLE AND SECURE WITH (6) SET SCREWS.
- 2) SECURE FIXTURE OVER ADAPTOR AND SECURE WITH (4) SET SCREWS.
- 3) INSTALLATION COMPLETE.



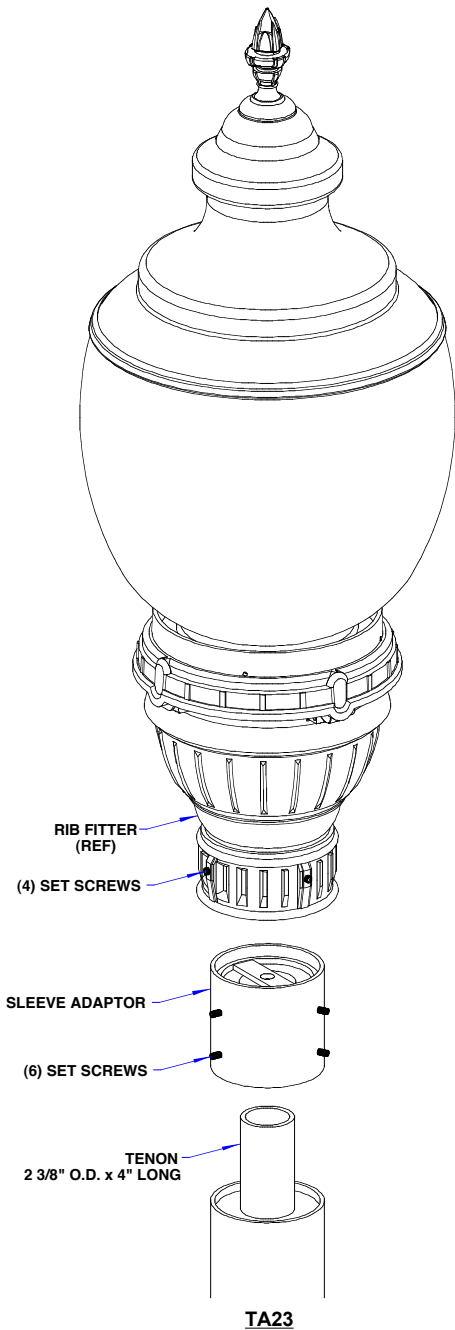
TA4

- 1) SLIP ADAPTOR OVER POLE AND SECURE WITH (6) SET SCREWS.
- 2) SECURE FIXTURE OVER ADAPTOR AND SECURE WITH (4) SET SCREWS.
- 3) INSTALLATION COMPLETE.

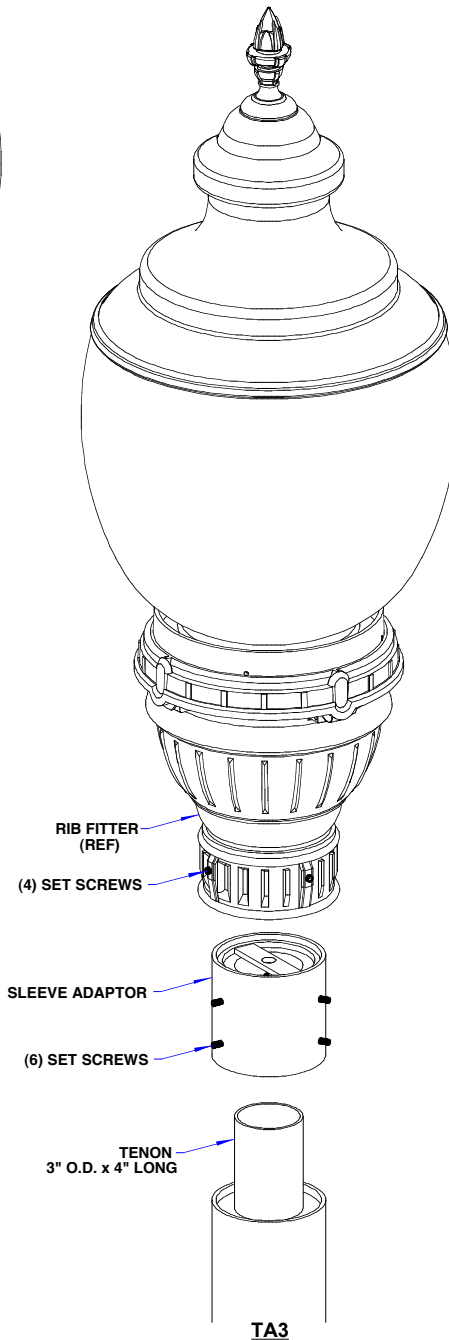
INSTALLATION INSTRUCTIONS

CATALOG NUMBER

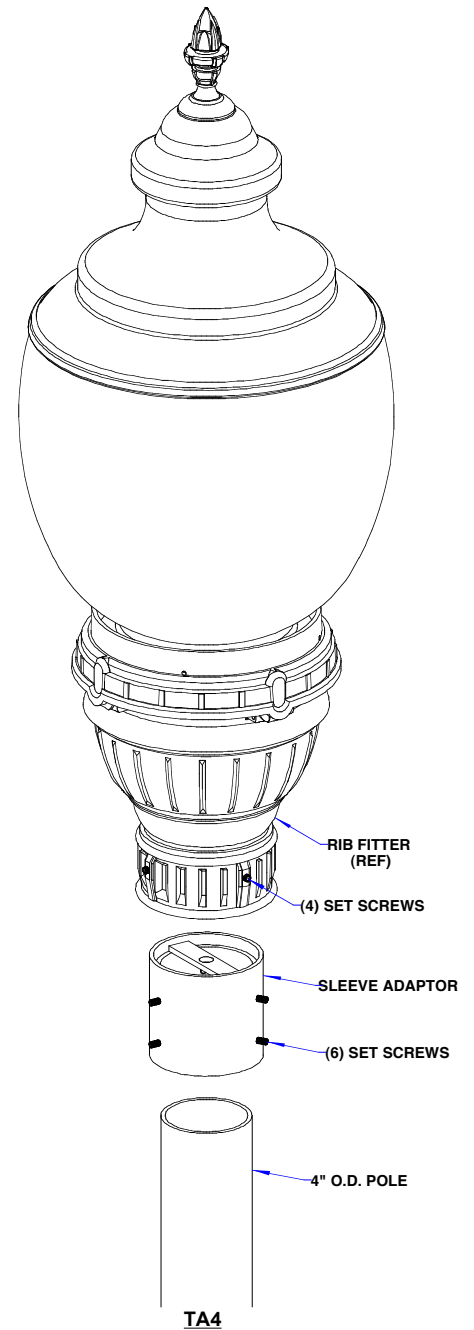
FGL-TA23 / TA3 & TA4



- TA23**
- 1) SLIP ADAPTOR OVER TENON AND SECURE WITH (6) SET SCREWS.
 - 2) SECURE FIXTURE OVER ADAPTOR AND SECURE WITH (4) SET SCREWS.
 - 3) INSTALLATION COMPLETE.



- TA3**
- 1) SLIP ADAPTOR OVER POLE AND SECURE WITH (6) SET SCREWS.
 - 2) SECURE FIXTURE OVER ADAPTOR AND SECURE WITH (4) SET SCREWS.
 - 3) INSTALLATION COMPLETE.



- TA4**
- 1) SLIP ADAPTOR OVER POLE AND SECURE WITH (6) SET SCREWS.
 - 2) SECURE FIXTURE OVER ADAPTOR AND SECURE WITH (4) SET SCREWS.
 - 3) INSTALLATION COMPLETE.