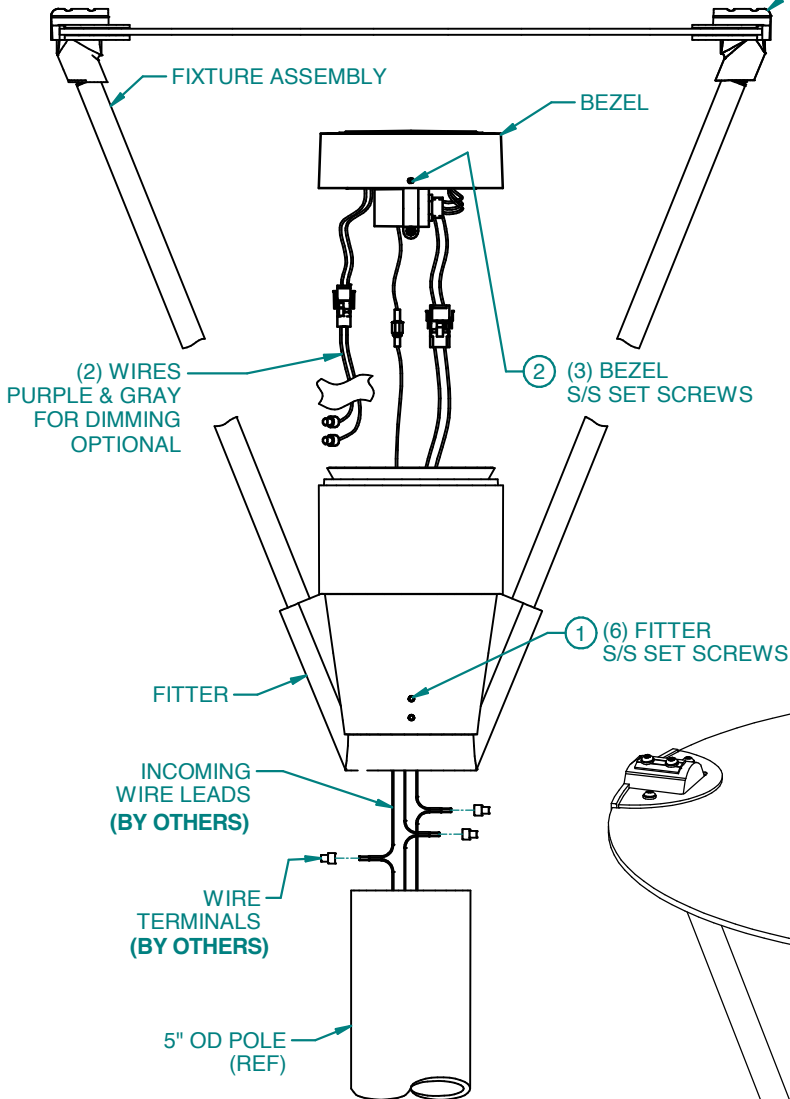


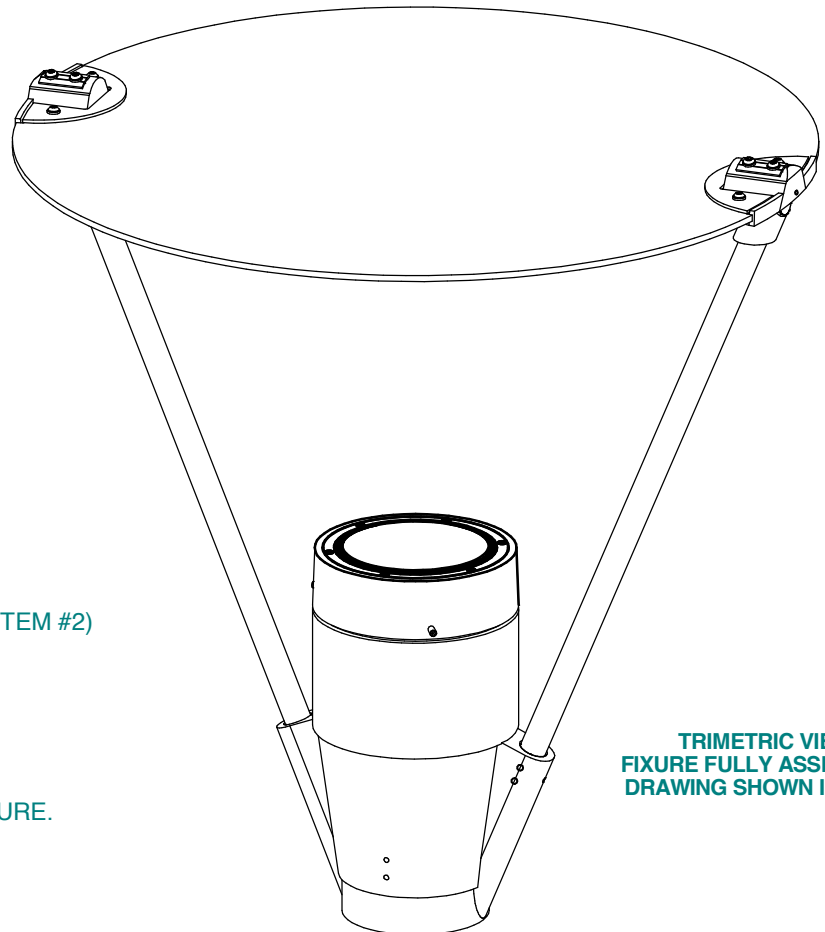
# INSTALLATION INSTRUCTIONS

ROUND AND SQUARE SAIL.  
SEE INSTALLATION INSTRUCTIONS  
A96259 OR A96260 FOR REFERENCE.



**INSTALLATION STEPS:**

1. **TURN OFF POWER.**
2. MAKE WIRE CONNECTIONS AND SLIP FIXTURE ASSEMBLY OVER 5" O.D. POLE.
3. ROTATE FIXTURE TO DESIRED ORIENTATION. SECURELY TIGHTEN (6) S/S FITTER SET SCREWS (ITEM #1).
4. TURN ON POWER AND CHECK FOR OPERATION.
5. **INSTALLATION COMPLETE.**



**TO SERVICE DRIVER:**

1. **TURN OFF POWER.**
2. LOOSEN (3) BEZEL S/S SET SCREWS (ITEM #2) AND REMOVE BEZEL FROM FITTER.
3. DISCONNECT WIRE CONNECTORS.
4. SERVICE DRIVER AS NEEDED.
5. TO RE-ASSEMBLE, REVERSE PROCEDURE.
6. **INSTALLATION COMPLETE.**