



KIM LIGHTING

16555 East Gale Avenue
City of Industry, CA 91745-1788
626/968-5666 • FAX 626/968-5716



BNM-LED Mini-Bounce Arm Mount Installation Instructions



WARNING: Fixtures must be grounded in accordance with local codes or the National Electrical Code. Failure to do so may result in serious personal injury.

MAINTENANCE: A regularly scheduled maintenance program should be established to retain optimum light output and reduce heat retention. Dusting with a soft, clean, dry cloth is normally sufficient for the optics.

CAUTION: All wiring must be done by a qualified electrician. **KEEP THIS SHEET FOR FUTURE REFERENCE.**



AVERTISSEMENT: Les luminaires doivent être mis à la terre conformément aux codes locaux ou au National Electrical Code. Ne pas le faire peut entraîner des blessures graves.

ENTRETIEN: Un programme d'entretien régulier devrait être établi pour conserver une sortie de lumière optimale et réduire la rétention de chaleur. Épousseter avec un chiffon doux, propre et sec est normalement suffisant pour l'optique.

ATTENTION: Tout le câblage doit être effectué par un électricien qualifié. **GARDER CETTE FEUILLE POUR FUTURE RÉFÉRENCE.**

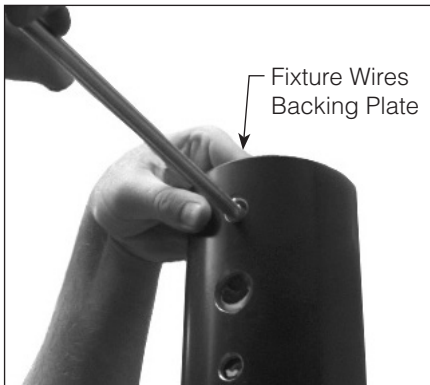
Tools Required:

- 9/16" Socket & Ratchet
- 10" Ratchet Extension

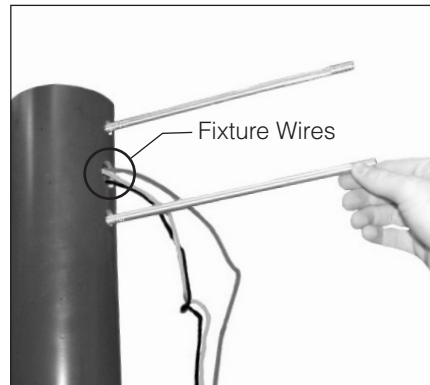
- 7/64" Hex Wrench

- Flat Blade Screwdriver

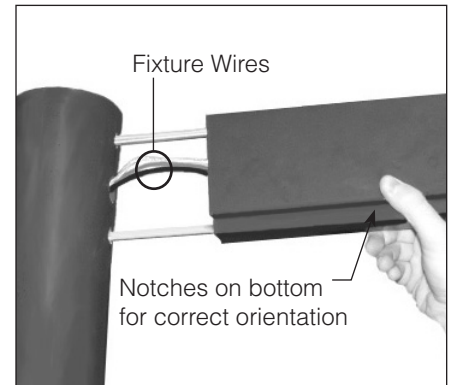
ARM MOUNT INSTALLATION: Make certain electrical supply is **OFF** before starting fixture installation.



1. Place backing plate inside pole and thread long threaded end of studs ...

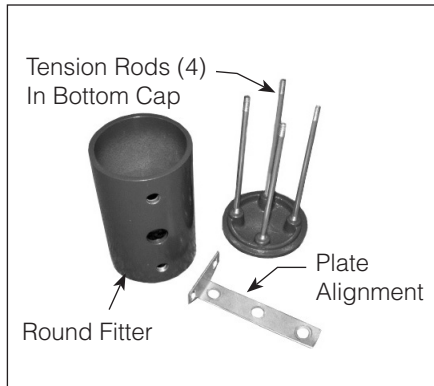


2. into backing plate.

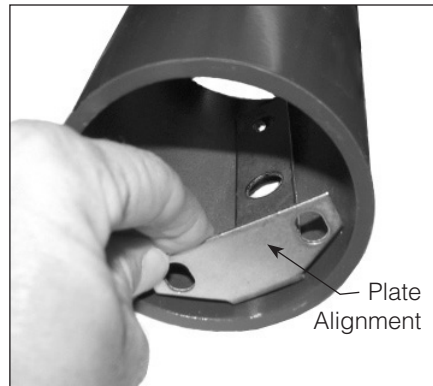


3. Feed supplied wiring through wiring hole in pole and through handhole. Slide arm onto studs with the notches downward.

BNM-LED Mini Bounce Arm Mount Installation Instructions



4. Luminaire mounts onto round fitter assembly.



5. Place the plate alignment inside the fitter with holes lining up in fitter.



6. Attach round fitter to arm. Secure with washers and nuts using a 9/16" ratchet wrench.



7. Install bottom cap with four rods into the two holes in plate alignment.



8. Remove cover from fixture using a hex wrench.



9. Remove the two screws holding the driver plate in place, and slide driver assembly out.



10. Install fixture assembly onto round fitter matching the four (4) tension rods to holes.



11. Orient fixture relative to mount to provide desired lighting distribution. Secure with washers and nuts using a 9/16" ratchet wrench with 10" extension.



12. Connect quick-disconnects (2), and tuck into driver compartment. Connect fixture leads to field circuit wires at handhole observing polarity, i.e.; green-to-ground, white-to-common, and black-to-voltage.

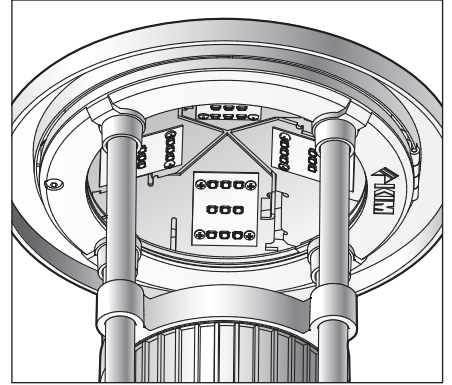
BNM-LED Mini-Bounce Arm Mount Installation Instructions



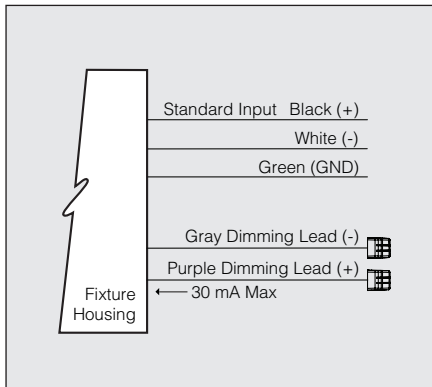
13. Reinstall driver and secure driver assembly with the two screws provided.



14. Install cover with two screws provided.



Rendering of Mini-Bounce with IES Type 5, 36 LED emitter module.



0-10V Dimming

Driver has a 0-10V dimming interface with dimming range of 10-100%. Is compatible with most control systems including Hubbell Building Automation wiHUBB™. Approved dimmers include Lutron Diva AVTV, Lutron Nova NFTV and NTFTV. Note: Not compatible with current sourcing dimmers. Controls compatible via Gray and Purple dimming lead.