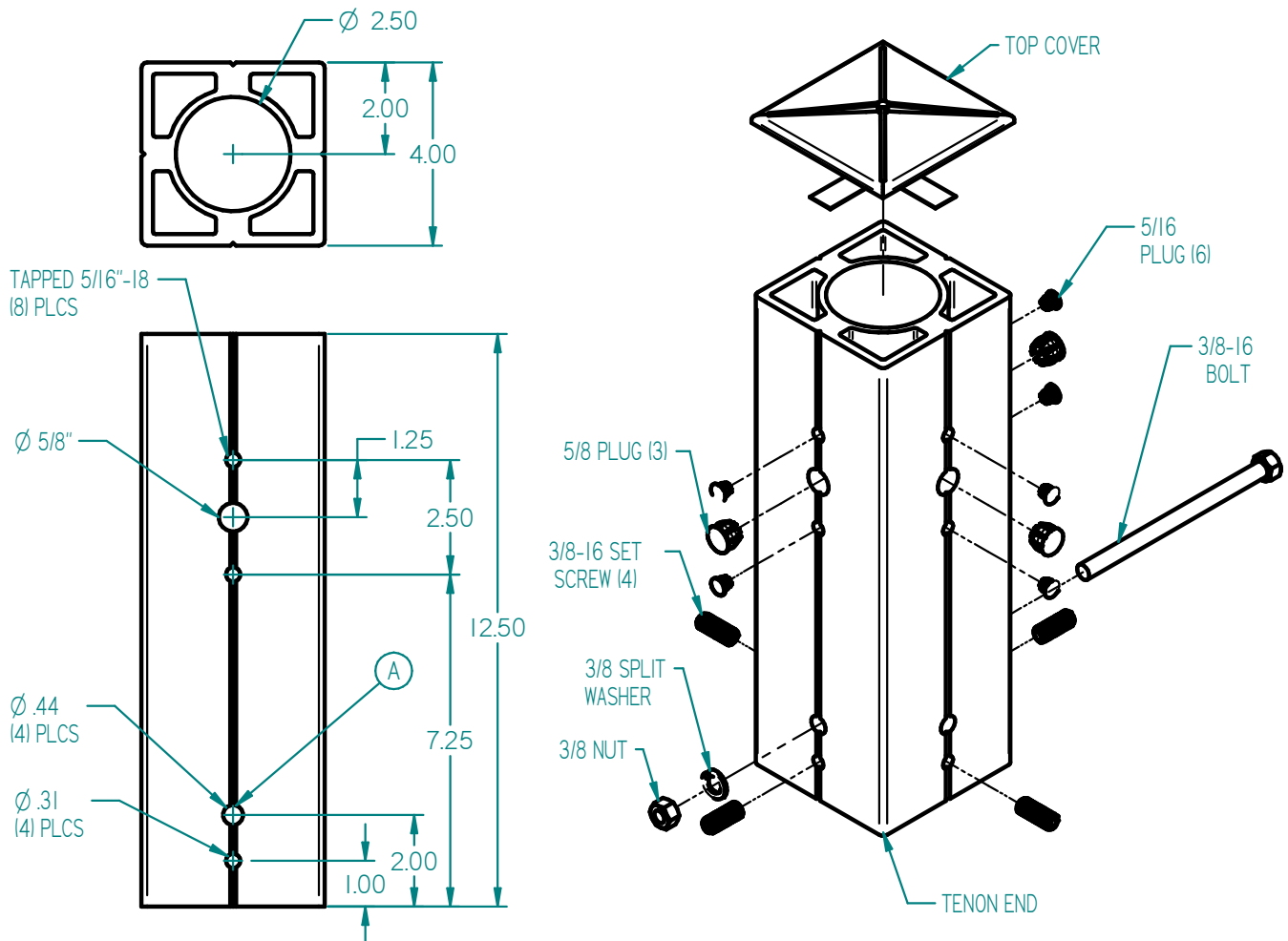


# SETAVP - Square Tenon Adapter

TENON ADAPTERS ACCESSORY

# Current

## B3 MOUNTING PATTERN



### Mounting Notes:

1. Engage set-screws to adapter half way in.
2. Slip adapter to pole tenon, then tighten set-screws.
3. Mark tenon using hole "A" as guide.
4. Remove adapter from tenon.
5. Drill tenon thru walls using 7/16" (.437") diameter drill bit.
6. Install adapter back to tenon securing it with 3/8-16 thru bolt, lockwasher, and hex nut.
7. Tighten set-screws.
8. The adapter is now ready for fixture installation.
9. Install 5/16 and 5/8 plugs into unused holes.

### Shipping Package Contents:

- SETAVP Tenon Adapter (1)
- Top Cover (1)
- 3/8-16 Bolt (1)
- 3/8-16 Set Screw (4)
- 3/8 Split Washer (1)
- 3/8-16 Nut (1)
- 5/8 Plug (3)
- 5/16 Plug (6)

**Material:** Aluminum  
**Finish:** Powder Paint  
**Weight:** 15 lbs

**EPA:** 0.2 ft<sup>2</sup>