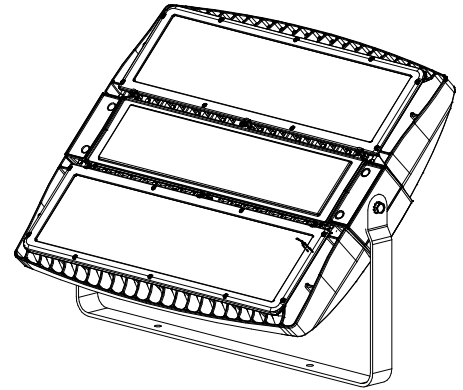


SAVE THESE INSTRUCTIONS

INSTALLATION
INSTRUCTIONS
MATRIX FLOOD

READ THOROUGHLY BEFORE INSTALLATION

WARNING! Fixtures must be grounded and installed in accordance with the National Electrical Code and all local codes. Failure to do so may increase the **RISK OF PERSONAL INJURY, PROPERTY DAMAGE, FIRE AND DEATH**. Install and use so fixture failures do not cause a hazard and use only in environments for which the product is specifically marked.

WARNING! This product contains chemicals known to the State of California to cause cancer, birth defects, and/or other reproductive harm. Thoroughly wash hands after installing, handling, cleaning, or otherwise touching this product.

CAUTION! Follow ALL luminaire recommendations, product markings, instructions, restrictions and warnings regarding luminaire operation and burning position. Luminaire label shows electrical and environmental requirements and restrictions.

All electrical work must be done by a qualified electrician.

Turn off electric power to all affected circuits and allow to cool before servicing.

A regularly scheduled maintenance program should be established to retain optimum light output and reduce heat retention. Dusting with a soft, clean, dry cloth is normally sufficient for the optical system. Any accumulation of dust or dirt should be removed regularly.

Carefully read these instructions before installing product. If you do not understand these instructions, before starting any work, contact your Lighting distributor or lightingtechsupport@currentlighting.com or (864) 678-1000

Give instructions to facility owner/manager for future reference.

NOTE:

This luminaire is designed for outdoor lighting applications with ambient temperatures not exceeding 40°C

WARNINGS:

Dangerous voltage exist within the unit and all precautions usually observed in handling high voltage equipment should be observed when replacing light engine or otherwise servicing luminaires. Disregarding this warning could result in electrical shock and possible injury to the individual installing or servicing this equipment. Installation and servicing should be done by qualified personnel.

Tools Required:

- Torque Wrench with foot-pounds settings
- Hex Socket and wrench; 1/2 and 3/4 in. sockets

93092472 Rev.C